

Brenham™ | K-1997-1R

Wall-mount or concealed carrier arm mount commercial bathroom sink with single faucet hole and right-hand soap dispenser hole

Features

- Single faucet hole
- Oval basin
- Overflow drain
- Right-hand hole drilled for soap or lotion dispenser
- Includes wall hanger



Sustainability



Available Colors/Finishes

Color tiles intended for reference only.

- 0 White



Codes/Standards

ADA, OBC, CSA B651 compliant when installed to the specific requirements of these regulations.

ADA CSA B651 OBC

ASME A112.19.2/CSA B45.1

ADA

ICC/ANSI A117.1

CSA B651

OBC

Technical Information

Number of Deck Holes:	2
Faucet Hole(s) Size:	1-3/8" (35 mm)
With Overflow:	Yes
Soap/Lotion Hole Size:	1-1/4" (32 mm)
Drain Hole Diameter:	1-3/4" (44 mm)
Basin Configuration:	Single Bowl
Basin Length:	14-3/8" (365 mm)
Basin Width:	12-5/16" (313 mm)
Basin Depth:	4-9/16" (115 mm)

Material

- Vitreous china

Recommended Products/Accessories

K-23726 Drain treatment

K-23725 Cast iron cleaner

Warranty

See website for detailed warranty information.

KOHLER® Vitreous China Bathroom Sink Lifetime Limited Warranty

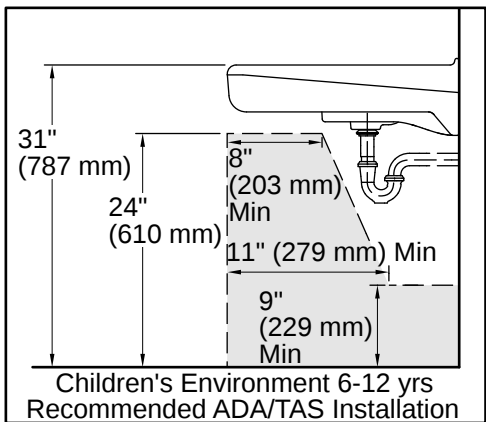
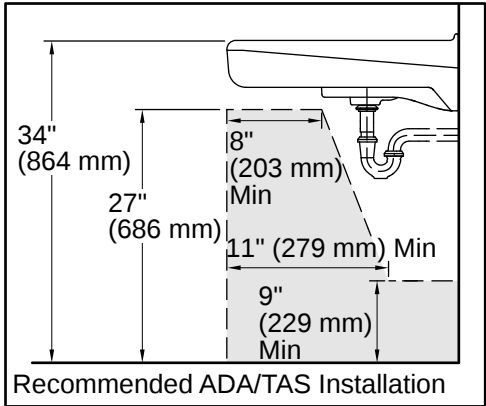
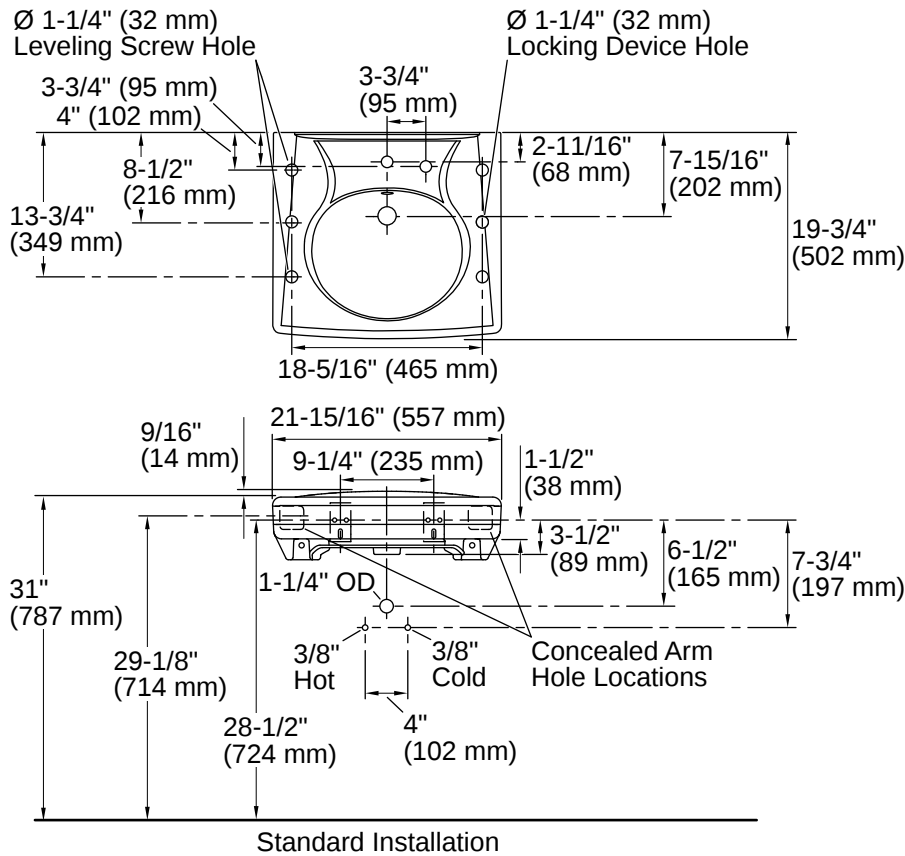


1-800-4KOHLER (1-800-456-4537)

Kohler Co. reserves the right to make revisions without notice to product specifications.

For the most current specification sheet, go to www.kohler.com USA or www.kohler.ca Canada.

4-13-2026 12:49 - US-CA



Installation

- Wall-mount
- Drilled for concealed arm carrier installation

Installation Notes

Install this product according to the installation instructions.

Product dimensions are nominal and may vary per ASME A112.19.2 tolerances.

ADA, OBC, CSA B651 compliant when installed to the specific requirements of these regulations.

