

### Features

- Single-speed whirlpool offers performance and value, with six fully adjustable jets
- Hydromassage flow and direction can be controlled at each jet
- Generous length provides a spacious bathing area
- Hourglass shape adds style and elegance to your bathroom
- Textured bottom surface
- Multiple pump location options give you more choices for installation and access

### Material

- Acrylic

### Hydrotherapy

- Whirlpool

### Installation

- Drop-in

### Required Products/Accessories

K-T37391 Rotary-turn bath drain trim

K-T37392 Rotary-turn bath drain trim

or

K-37383 Rough-in cable bath drain, PVC, 30" cable with tubing

K-78438 30" cable bath drain

### Recommended Products/Accessories

K-1491 Bath/Whirlpool Pillow

K-1601 Bath/whirlpool footstop, removable

K-7213 27" Cable Bath Drain

K-7214 27" Cable Bath Drain

K-7259 Brass toe tap bath drain

K-23726 Drain treatment

K-7265 Brass toe tap bath drain

1015255 Jet trim kit



### Codes/Standards

ASME A112.19.7/CSA B45.10

CSA B45.5/IAPMO Z124

ASTM E162

ASTM E662

UL 1795

UL Listed

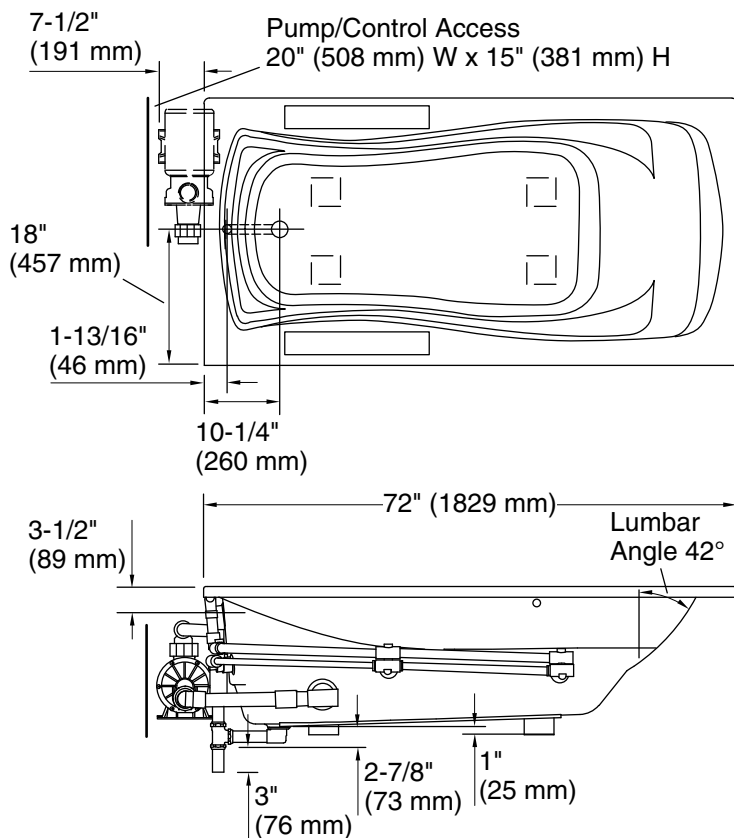
### KOHLER® Plastic Baths and Shower Bases Lifetime Limited Warranty KOHLER® Hydrotherapy Components Five-Year Limited Warranty

See website for detailed warranty information.

### Available Colors/Finishes

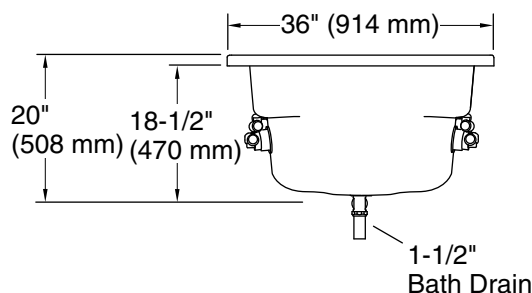
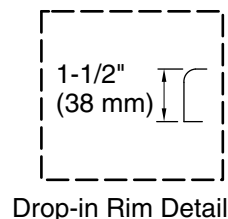
*Color tiles intended for reference only.*

Color	Code	Description
	0	White



No change in measurements if connected with drain illustrated. (K-7161-AF)

 Recommended Faucet Location



### Required Electrical Service

One dedicated circuit required, protected with Class A Ground-Fault Circuit-Interrupter (GFCI). Outside North America, this device may be known as a Residual Current Device (RCD).

Pump: 120 V, 15 A, 60 Hz

### Technical Information

All product dimensions are nominal.

Drain location: Reversible  
 Basin area, bottom: 50" x 24" (1270 mm x 610 mm)  
 Basin area, top: 65" x 27" (1651 mm x 686 mm)  
 Weight: 110 lbs (49.9 kg)  
 Minimum floor load: 41 lbs/ft<sup>2</sup> (200.2 kg/m<sup>2</sup>)  
 Water depth: 14" (356 mm)  
 Water capacity: 72 gal (272.5 L)  
 Cutout: Drop-in, 70" x 34" (1778 mm x 864 mm)  
 Electrical component rating: Pump: 120 V, 7.5 A, 60 Hz  
 Pump speed: Single  
 Minimum flat for door: 2" (50 mm)

### Notes

Measure your actual product for rough-in details.

Install this product according to the installation instructions.

The hot water supply should be 70% of the capacity of the bath or greater. Installations will vary.

Pump must be relocated to custom position at the time of installation. Provide adequate clearance.

If installing a rim-mount faucet, make sure there is no interference above or below the deck before drilling any holes.