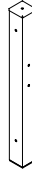


ASSEMBLY INSTRUCTION

METAL TWIN PLATFORM BED

A LSF Headboard Post **B** RSF Headboard Post **C** LSF Footboard Post **D** RSF Footboard Post



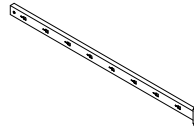
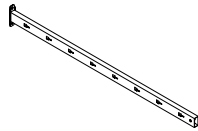
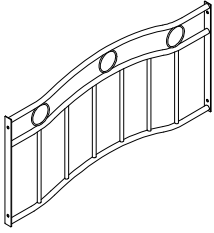
1PC

1PC

1PC

1PC

E Headboard / Footboard **F** Front Rail Section **G** Rear Rail Section **H** Rail Support Leg



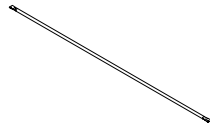
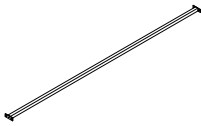
2PCS

2PCS

2PCS

2PCS

I Center Support Bar **J** Slat **K** Slat Connector **L** Finial



1PC

16PCS

32PCS

4PCS

M Bolt 1/4" x 13mm **N** Bolt 1/4" x 36mm **O** Nut 1/4" **P** L-Allen Key 4mm



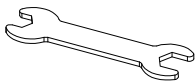
20PCS

4PCS

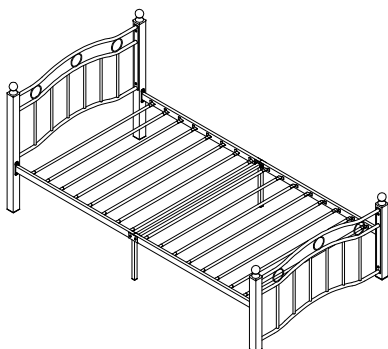
4PCS

1PC

Q Wrench 1/4" x 5/16"



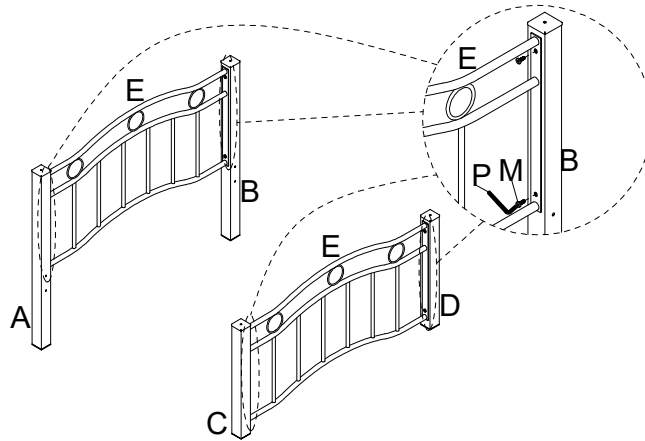
1PC



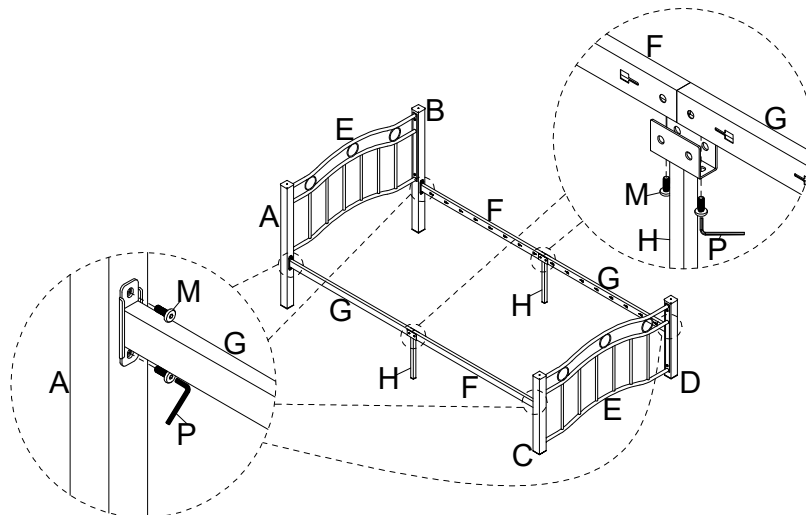
This page lists all the contents included in the box. Please take the time to identify the hardware as well as the individual components to this product. As you unpack and prepare for assembly, place the contents on a carpeted or padded area to protect them from damage.

1

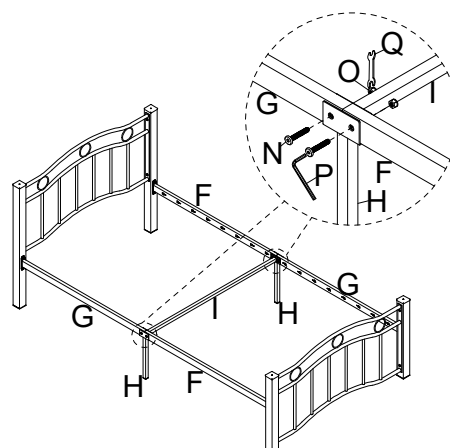
Attach LSF & RSF Headboard Post (A & B) and LSF & RSF Footboard Post (C & D) to Headboard / Footboard (E) using Bolt (M) with L-Allen Key (P).

**2**

Attach Front & Rear Rail Section (F & G) to LSF & RSF Headboard Post (A & B) and LSF & RSF Footboard Post (C & D) using Bolt (M) with L-Allen Key (P). Then attach Rail Support Leg (H) to Front & Rear Rail Section (F & G) using Bolt (M) with L-Allen Key (P).

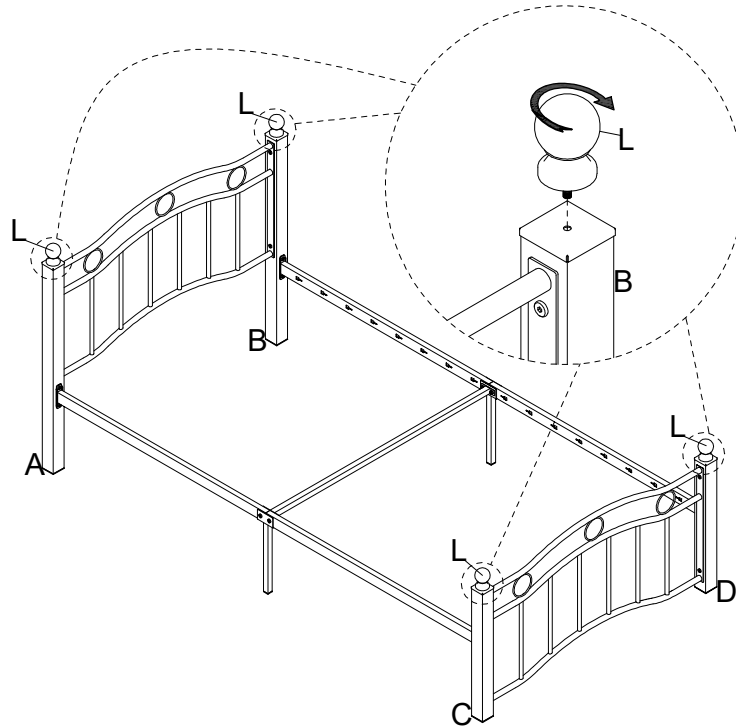
**3**

Attach Center Support Bar (I) to Front & Rear Rail Section (F & G) by Rail Support Leg (H) using Bolt (N) and Nut (O) with L-Allen Key (P) and Wrench (Q).

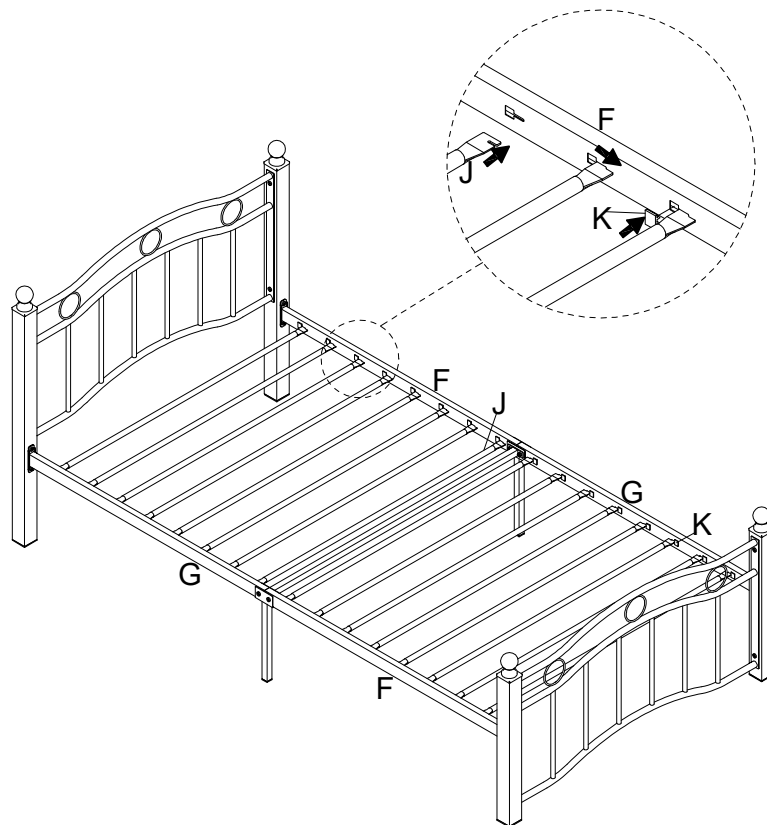


4

Attach Finial (L) to LSF & RSF Headboard Post (A & B) and LSF & RSF Footboard Post (C & D) and then tighten them.

**5**

Insert Slat (J) into Front & Rear Rail Section (F & G) as shown. Then lock Slat Connector (K) to fix Slat (J).



Cleaning & Care

Treat surfaces with care. Surfaces are resistant to scratches but are not scratch resistant. Clean surfaces with a dry or damp soft cloth. Do not use abrasive cleaners. Hardware may loosen over time. Periodically check that all connections are tight.