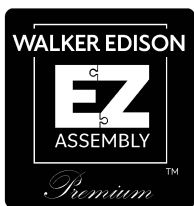


WALKER EDISON™

Walker Edison EZ Assembly™ Vivienne 5-drawer Spindle Dresser

SKU# WEVIV025D2



For Residential Use Only

Please visit our website for the most current instructions, assembly tips, report damage, or request parts. www.walkeredison.com

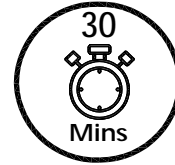


Time to get started

Set up a clean and soft workplace to get started and avoid damage during the assembly. It also helps to double-check that you've got all the pieces and parts before diving in to assembly.

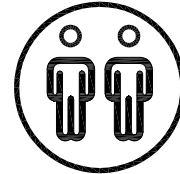
Estimated time for assembly

Say Goodbye to Frustration!
30 Minutes or Less to Build
No Tools Required



People recommended for assembly

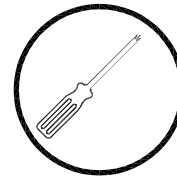
Make it a team effort! Grab a friend for quicker, easier assembly.



2 People Build

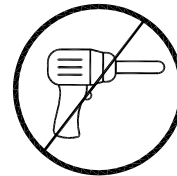
Tools Needed

Grab a Phillips head screwdriver to conquer this assembly



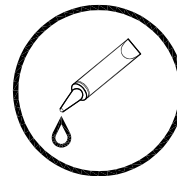
Use power tools with caution

You can cause cracking or damage to the material and easily strip the hardware. If you choose to use a power tool, your product will no longer be covered under Walker Edison's warranty.



Glue is provided to secure wood dowels in place

When inserting dowels, locate the appropriate hole, place a small amount of glue in the hole, and then insert the dowel. Wipe away excess glue immediately.

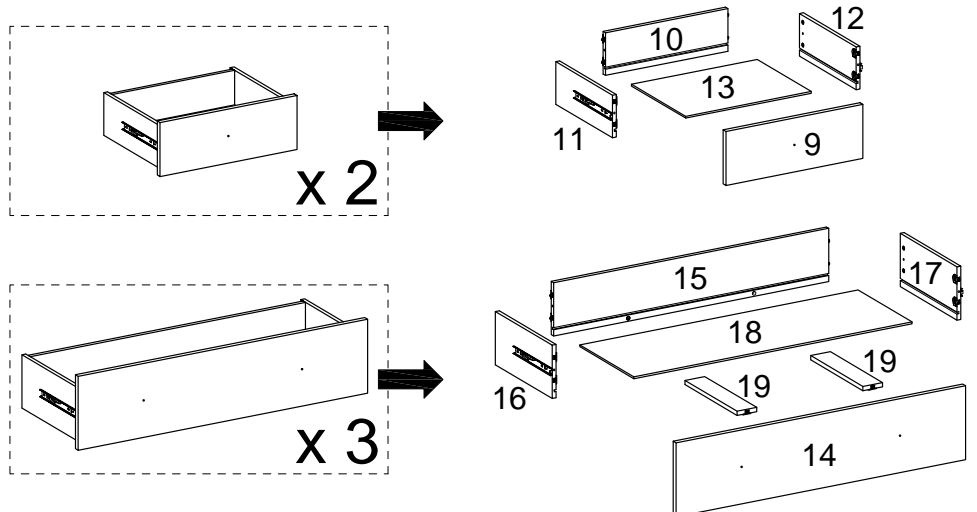
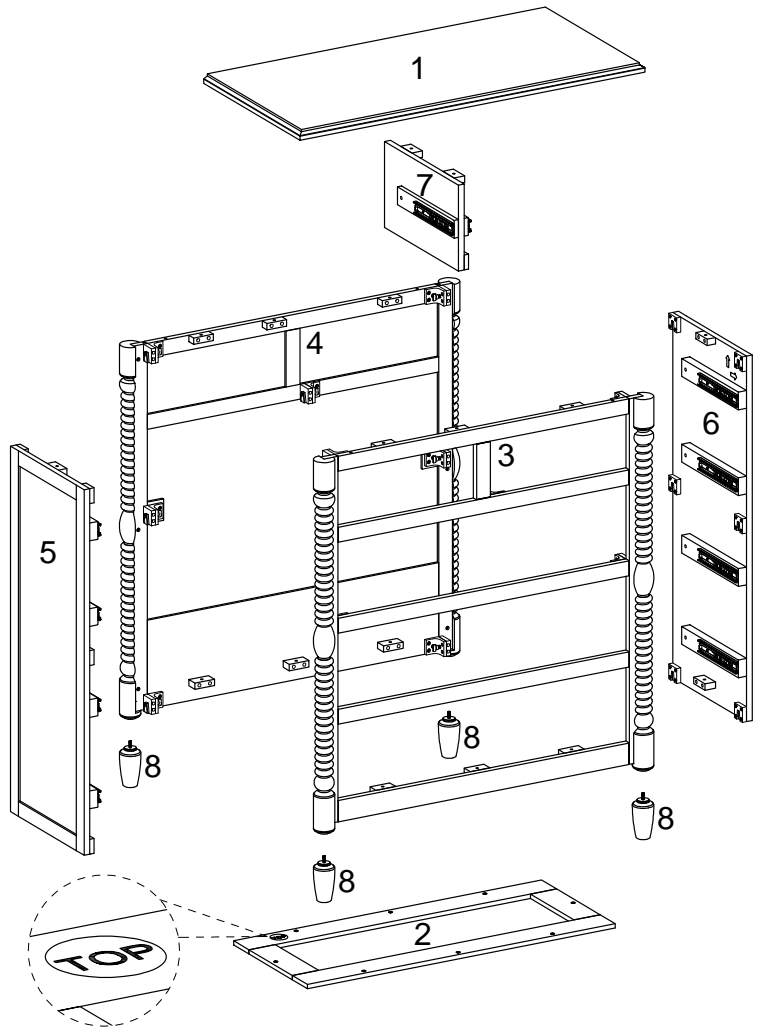


Vivienne

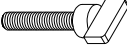


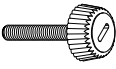
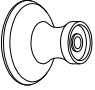
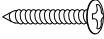


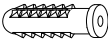
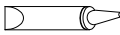
Scan to get assembly tips and help!

WE Parts List

Part Number	Description	Quantity
1	Top panel	1
2	Bottom frame	1
3	Front frame	1
4	Back frame panel	1
5	Left Panel	1
6	Right Panel	1
7	Divider Panel	1
8	Legs	4
9	Top Drawer Front Panel	2
10	Top Drawer Back Panel	2
11	Top Drawer Left Panel	2
12	Top Drawer Right Panel	2
13	Top Drawer Bottom Panel	2
14	Lower Drawer Front Panel	3
15	Lower Drawer Back Panel	3
16	Lower Drawer Left Panel	3
17	Lower Drawer Right Panel	3
18	Lower Drawer Bottom Panel	3
19	Drawer Support Panel	6



WE Hardware List

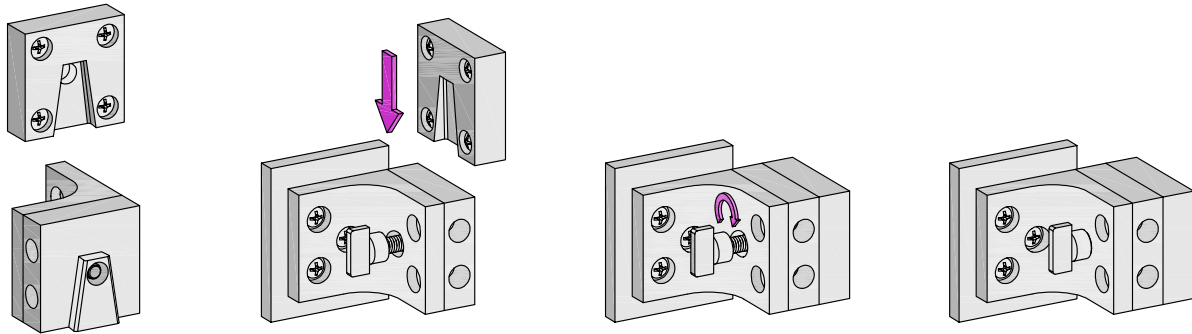
Part	Size	Name	Quantity
A	 1/4"x30mm	Thumb Screw	18
B	 8x30mm	Wooden dowel	4
C	 6x30mm	Wooden dowel	20
D	 5/32"x25mm	Bolt	8
E	 Ø26x22mm	Handle	8
F	 4x25mm	Screw	2
G	 4x12mm	Screw	2
H		Plastic strap	2
J		Wall Anchor	2
K		Glue Tube	2

The hardware quantities listed above are required for proper assembly.
Extra hardware pieces may be included.

Introducing Walker Edison EZ Assembly™ Hardware

At Walker Edison, we understand that furniture assembly can be a daunting task, especially when you're excited to get your new furniture set up and in use.

That's why we're introducing our innovative Walker Edison EZ Assembly™ hardware system. Our goal is to make the assembly process as smooth and straightforward as possible, so you can spend less time building and more time enjoying your new furniture.



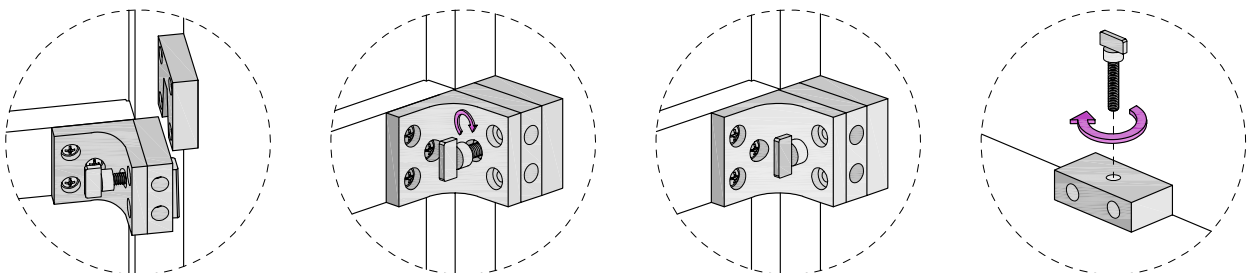
What Makes Walker Edison EZ Assembly™ Special?

- **Simplified Process:** Our hardware is designed to streamline the assembly process. With the Walker Edison EZ Assembly™ system, pieces connect easily and securely with minimal effort. No more fumbling with complex tools or trying to decipher confusing instructions—just quick, straightforward connections.
- **No Tools Required:** The Walker Edison EZ Assembly™ system is designed to be intuitive and user-friendly requiring no tools for assembly, so you can assemble with confidence, knowing it will be stable and secure.
- **Durable and Reliable:** Our Walker Edison EZ Assembly™ hardware isn't just easy to use—it's built to last. The components are crafted from high-quality materials to ensure that your furniture remains sturdy and reliable for years to come.

We're excited to introduce you to a new era of furniture assembly.

With Walker Edison EZ Assembly™, you can look forward to a hassle-free experience and a beautiful, durable product that's ready to enjoy in no time.

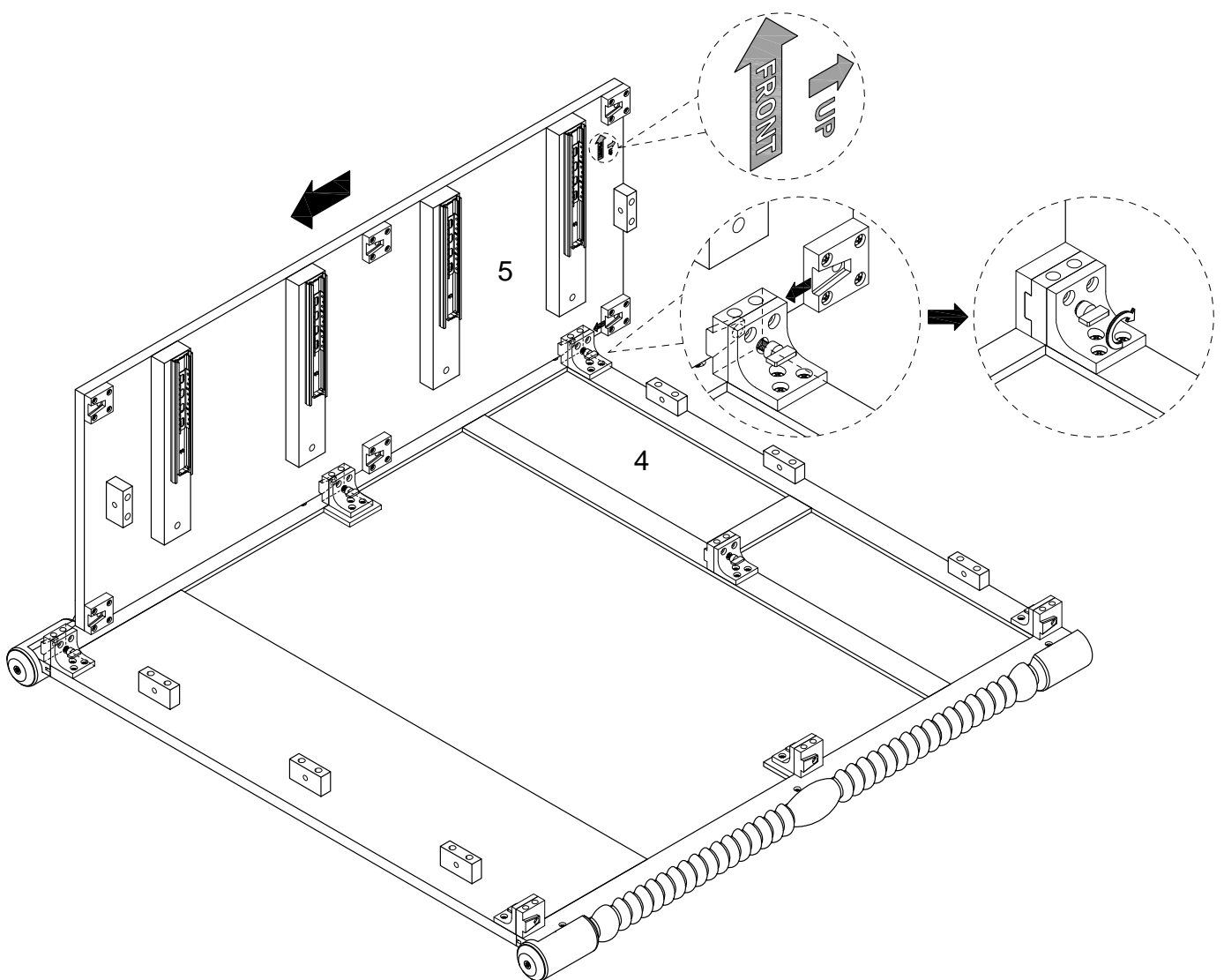
How to Get Started



1. Get your panels ready, following the Assembly Instructions.
2. Match up the triangular male and female pieces—think of it as a little puzzle!
3. Let gravity lend a hand as you slide the hardware together at each aligned hardware piece.
4. Give the thumbscrew a twist in the center to lock everything in place.

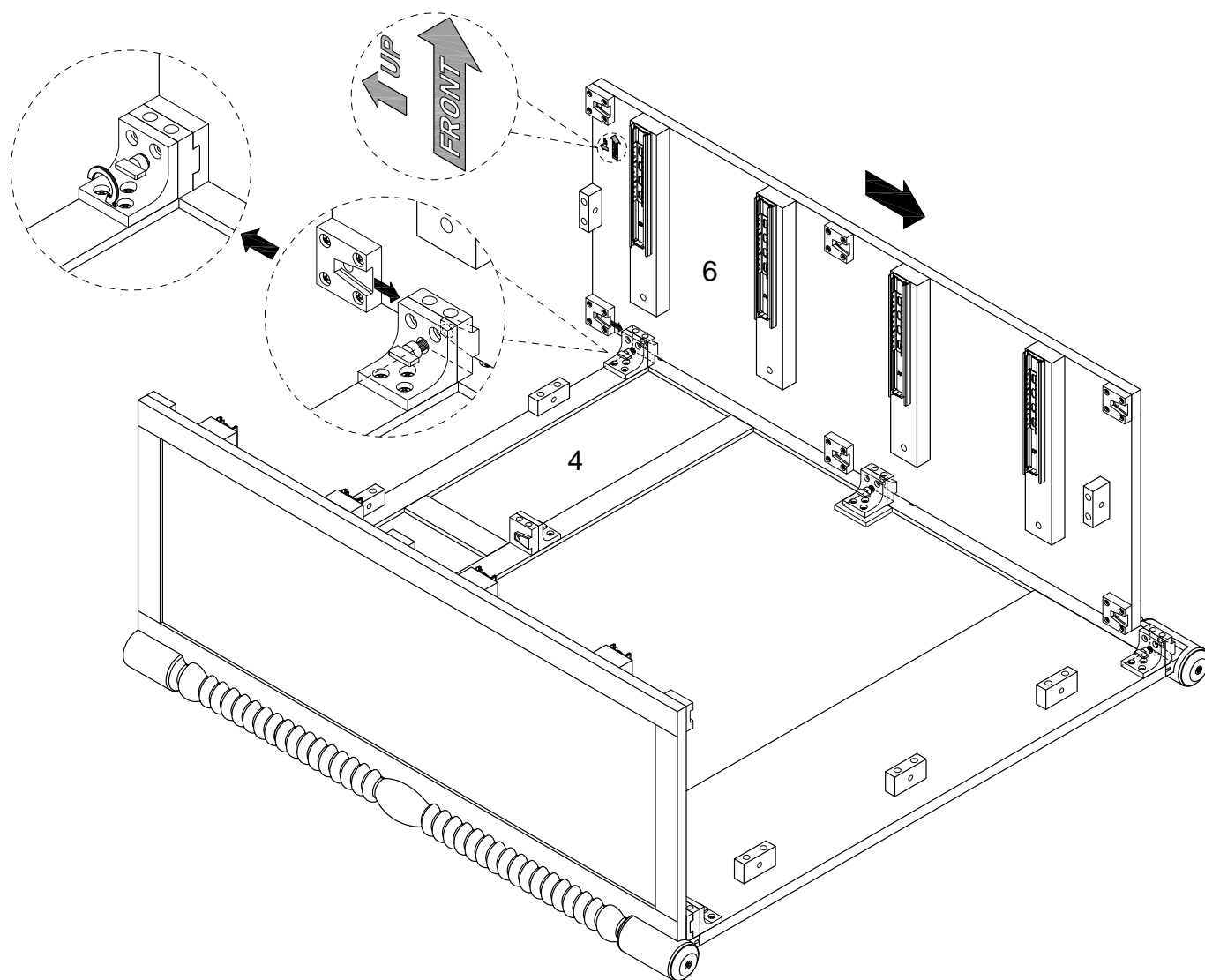
Step 1

Time to get started! Lay the Back Frame Panel (4) flat on the ground. Now grab the Left Panel (5) and slide it into the matching hardware until they lock together. Secure it in place with the thumb screws (A)—easy, right?



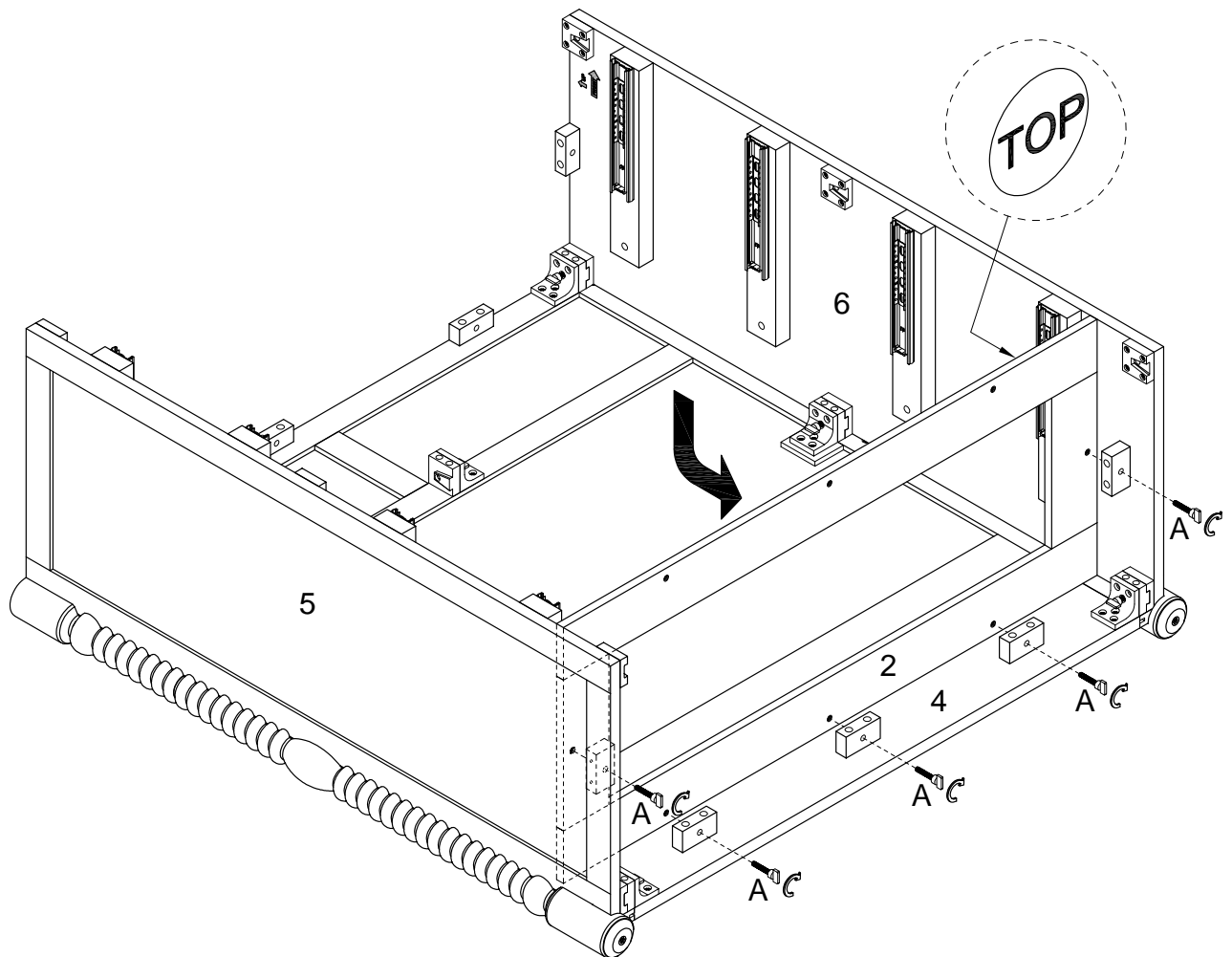
Step 2

Repeat on the right! Take the Right Panel (6) and do the same thing you just did with the left side. Slide, lock, and secure with those trusty thumb screws (A).



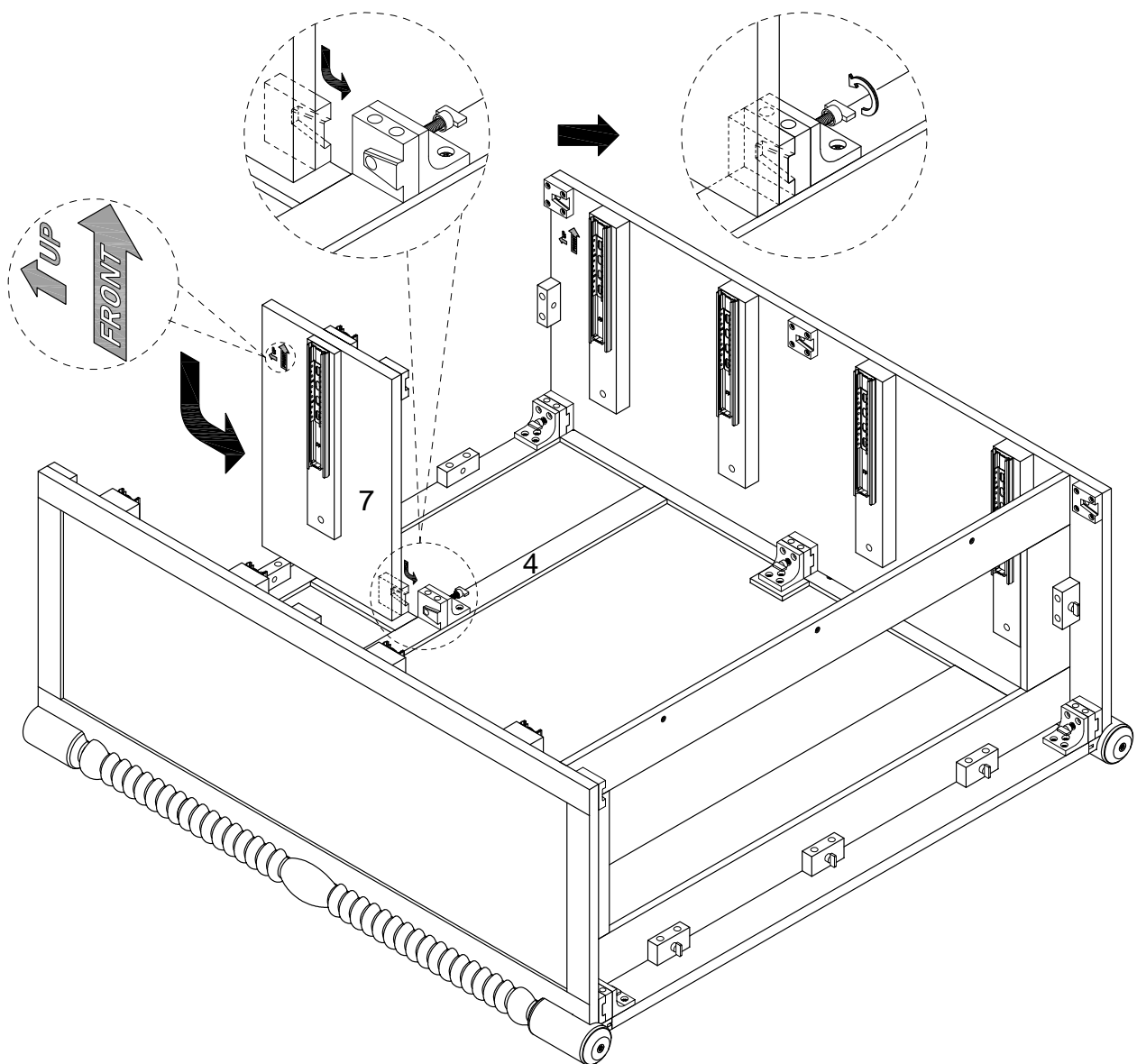
Step 3

Grab the Bottom Frame (2) and slide it in between the side panels. Make sure everything lines up, then secure it underneath with—you guessed it—thumb screws (A).



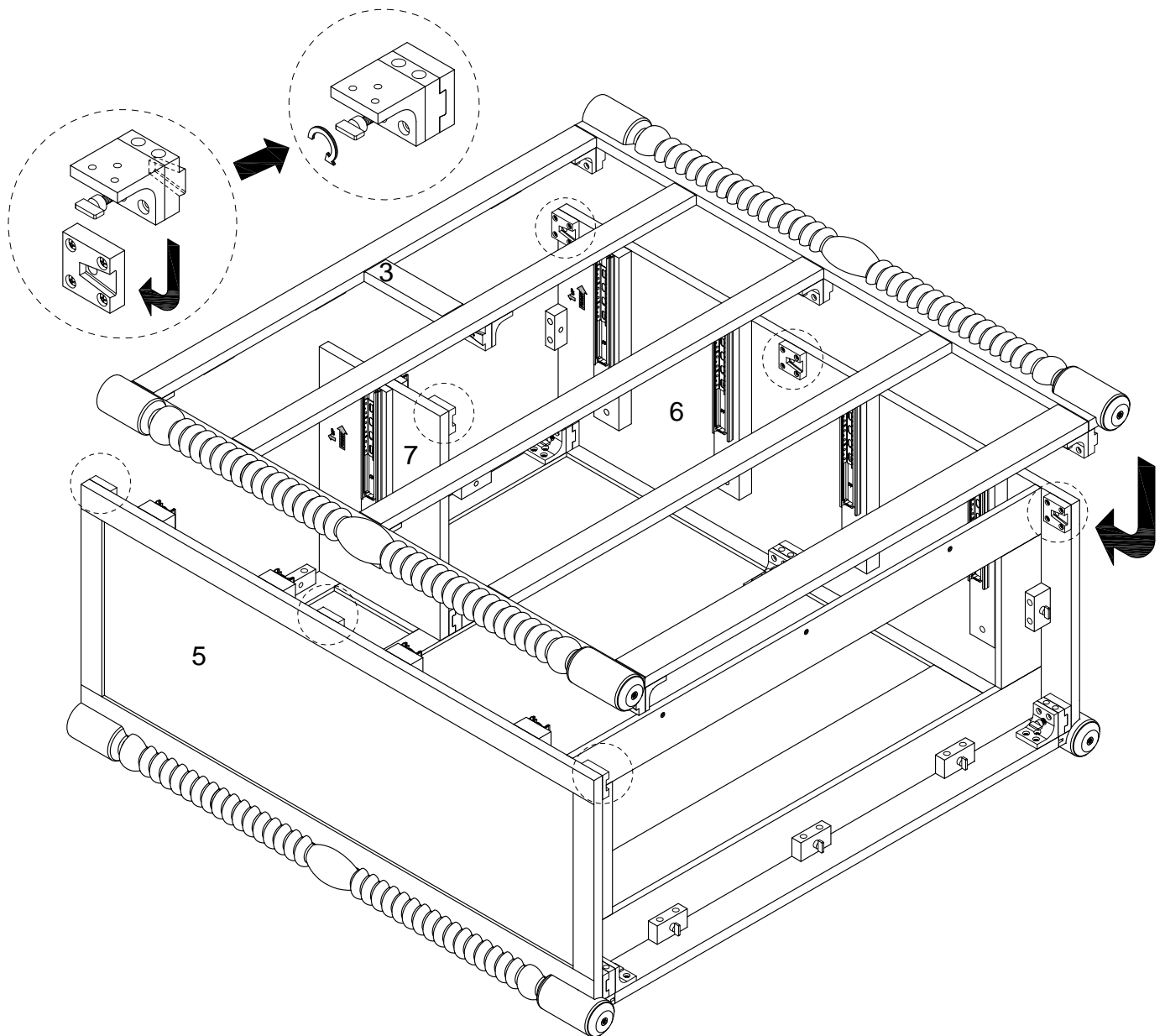
Step 4

Take the Divider Panel (7) and slide it into the hardware in the center of the Back Frame Panel (4). Lock it into place and secure it with thumb screws (A).



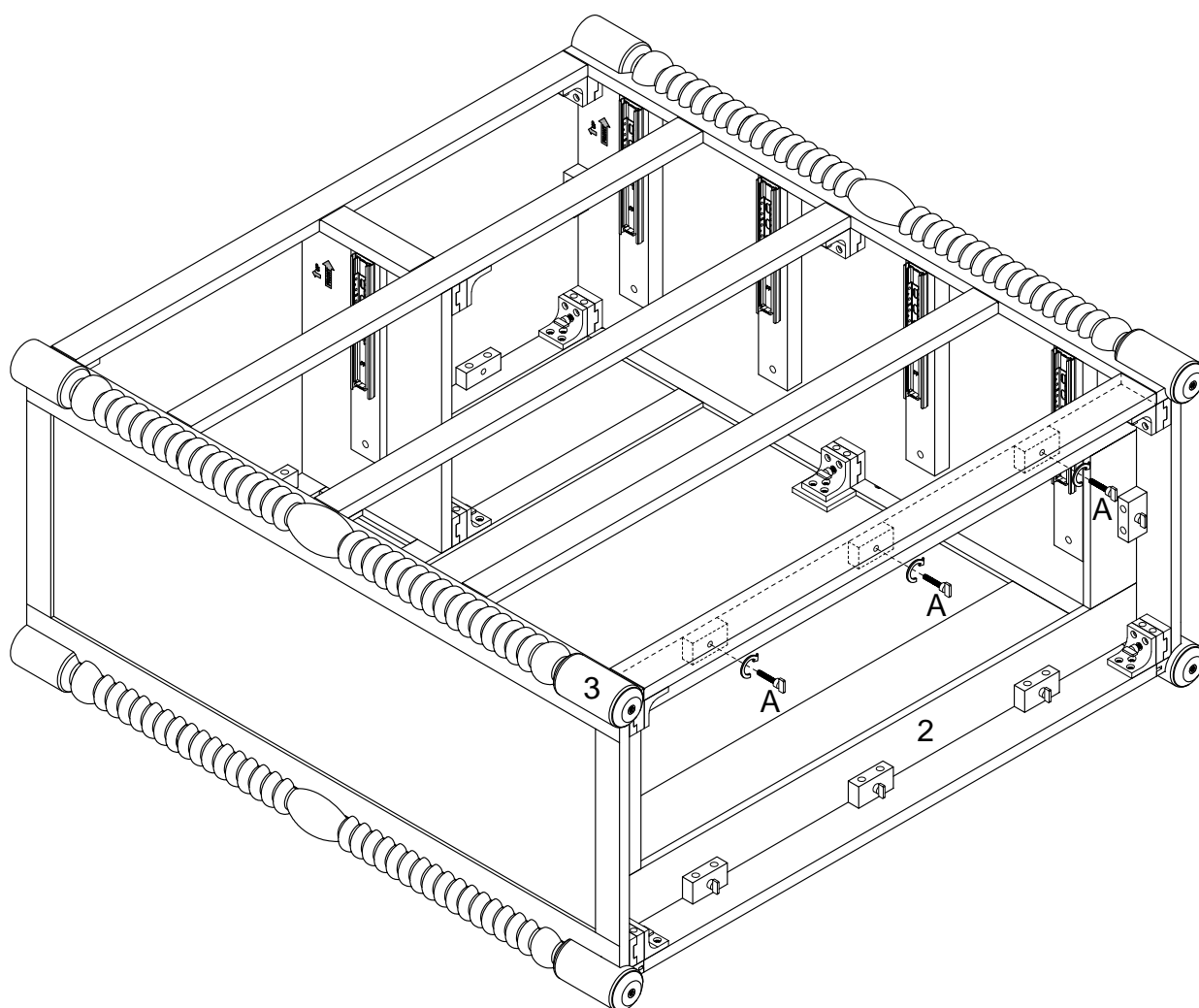
Step 5

Now it's time to add the Front Frame (3). Slide it into the side panels (5 & 6) and the Divider Panel (7), making sure everything locks together. Secure with thumb screws (A).



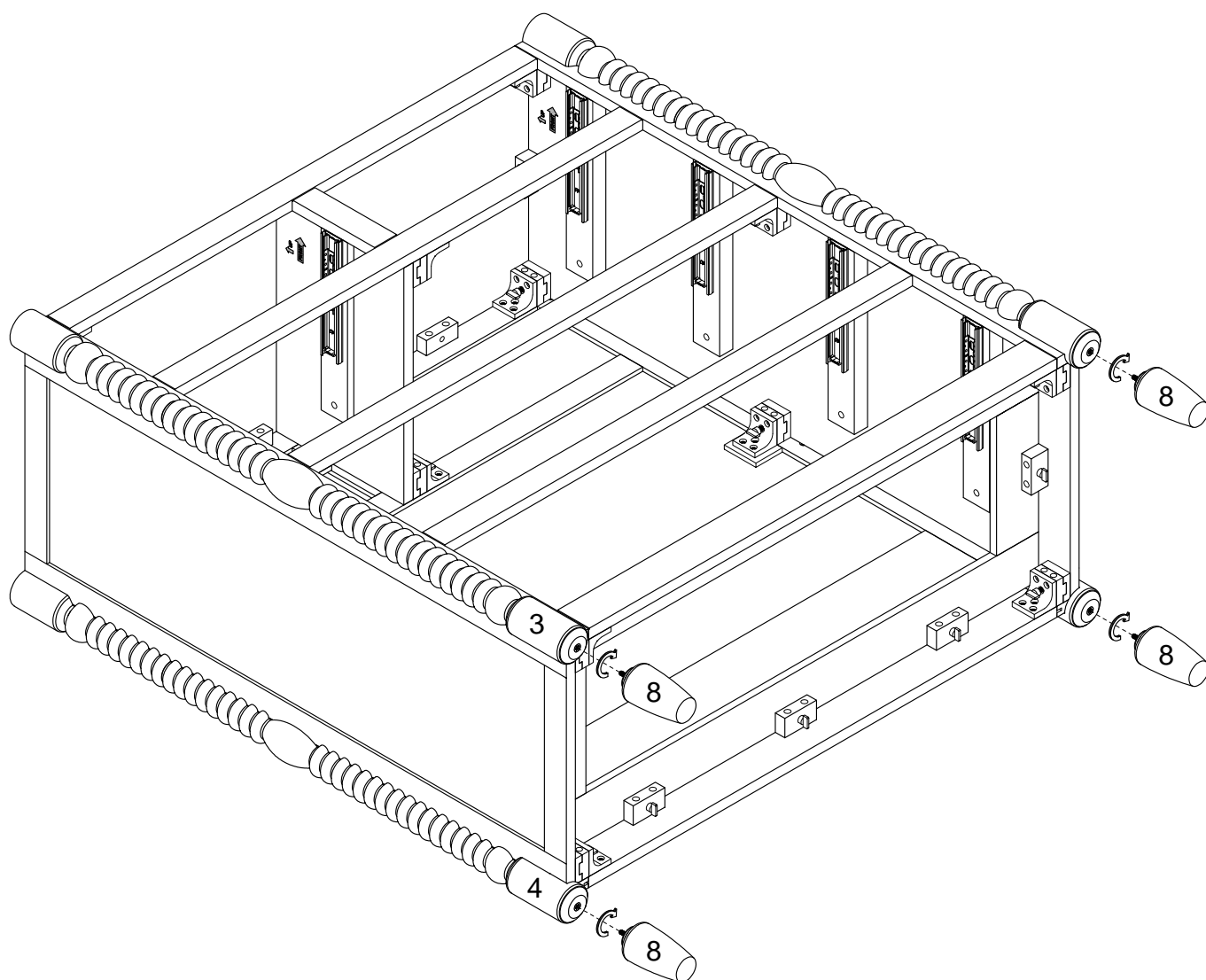
Step 6

Fasten the rest of the Bottom Frame (2) into place with the same trusty thumb screws (A).



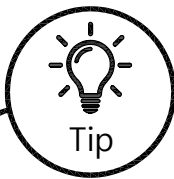
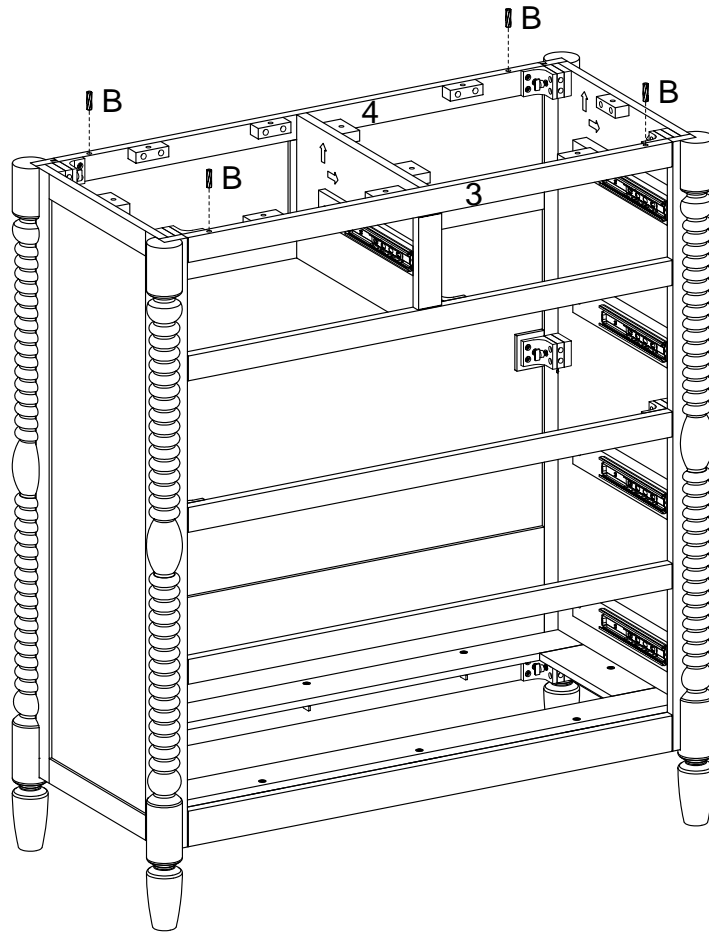
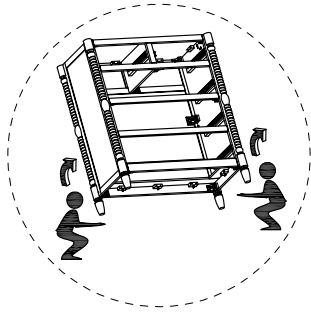
Step 7

Twist on the Legs (8). Give them a little wiggle to make sure they are nice and tight.

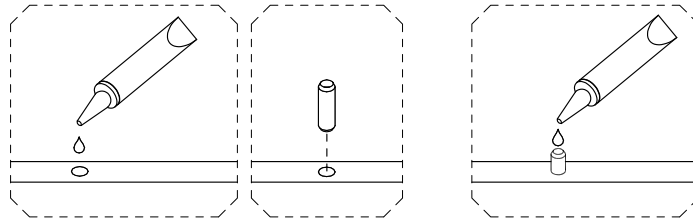


Step 8

Carefully lift the dresser frame onto its legs. Look at that—it's starting to come together! Pop in the wood dowels (B) on the top to prep for the next step.



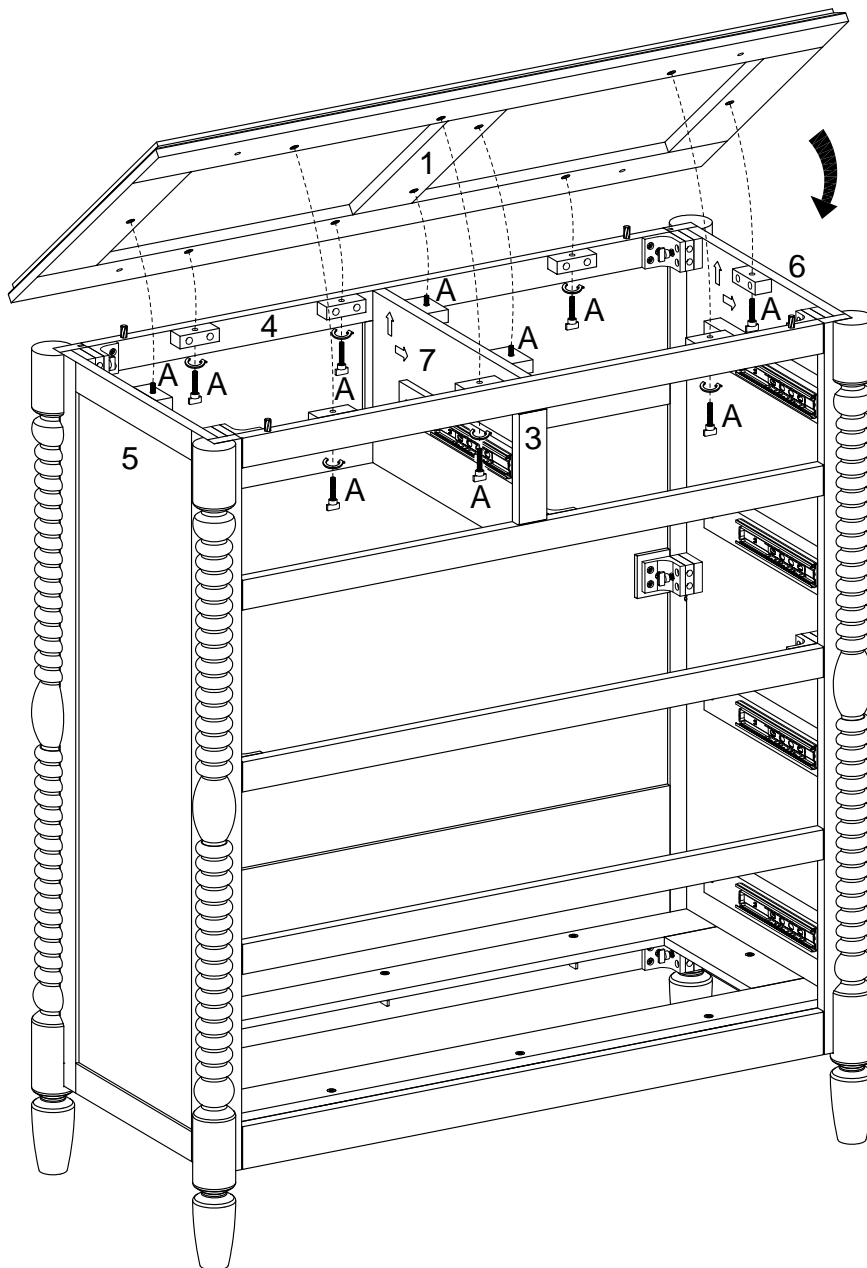
Tip



- 1: The provided glue is to secure wood dowels in place. When first inserting dowels, locate the appropriate hole for the dowel, place a small amount of glue in the hole and insert the dowel. Wipe away excess glue immediately.
- 2: In future assembly steps when dowels are necessary to attach assembly parts together, place a small amount of glue on the end of the dowel before attaching parts together. Wipe away excess glue immediately.

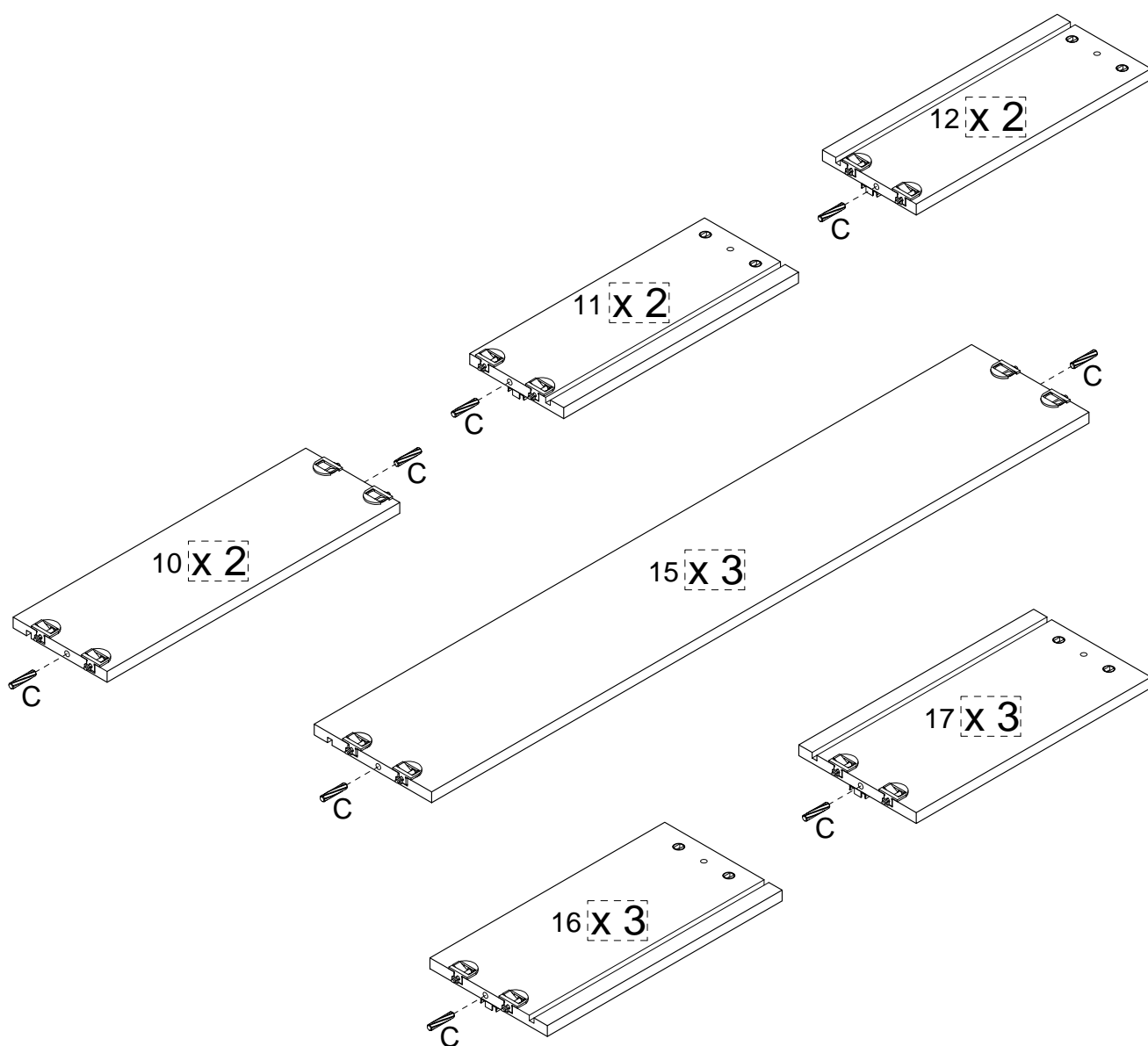
Step 9

Grab the Top Panel (1) and place it on top of the frame. Use the dowels to line everything up perfectly, then secure it with thumb screws (A).



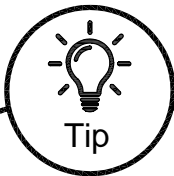
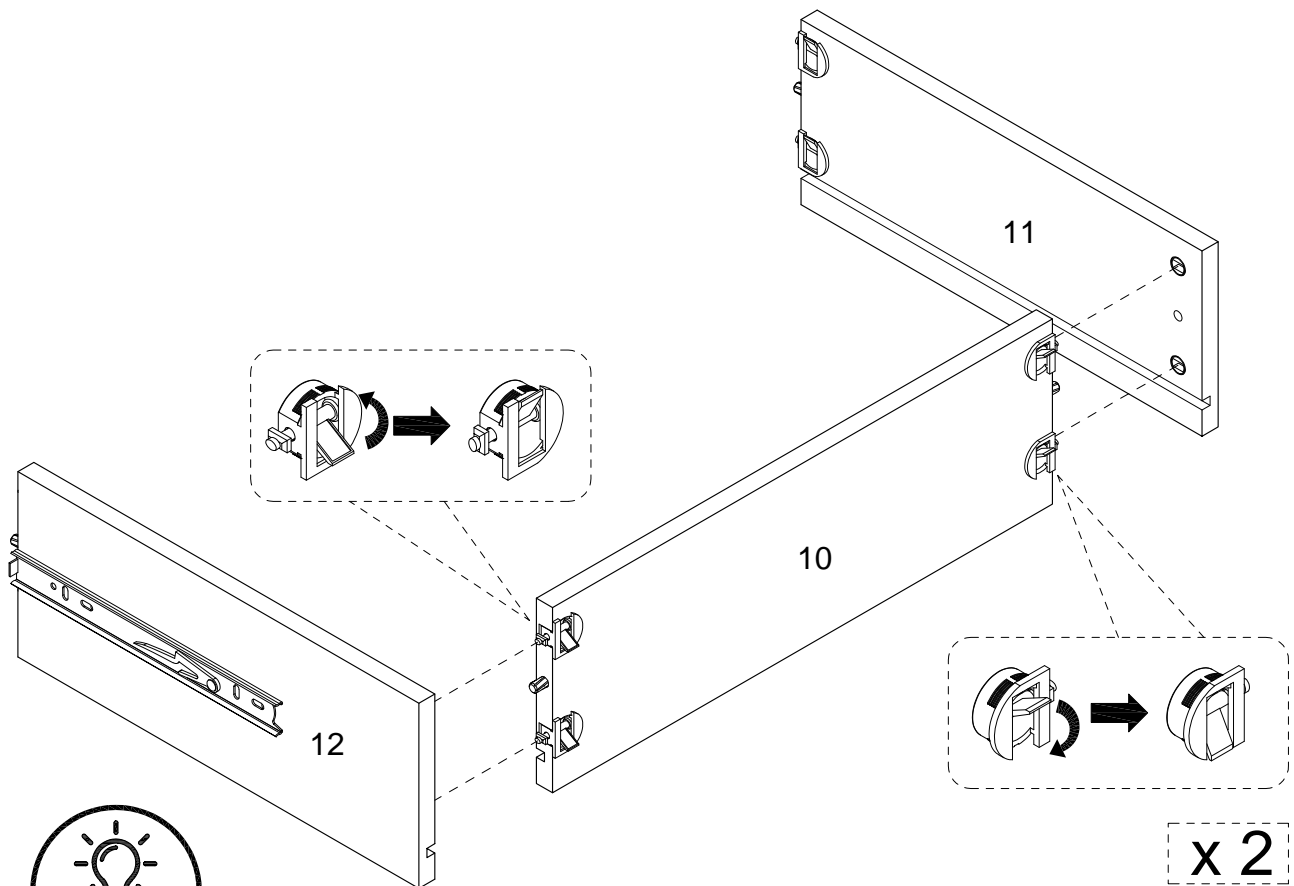
Step 10

Grab the smaller wood dowels (C) and insert them into the sides of all the drawer pieces (10, 11, 12, 15, 16, & 17).



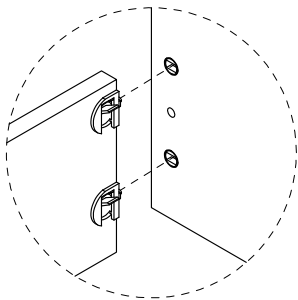
Step 11

Assemble the smaller drawers! Line up the dowels and pin holes on 12, 11, and 10, then flip the tabs on the back of the Drawer Back Panels (10) to lock them in place.

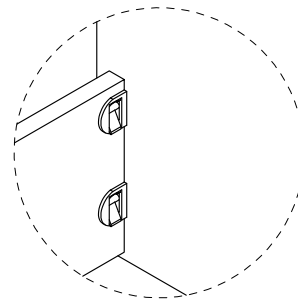


Tip

Quick Assembly Drawers



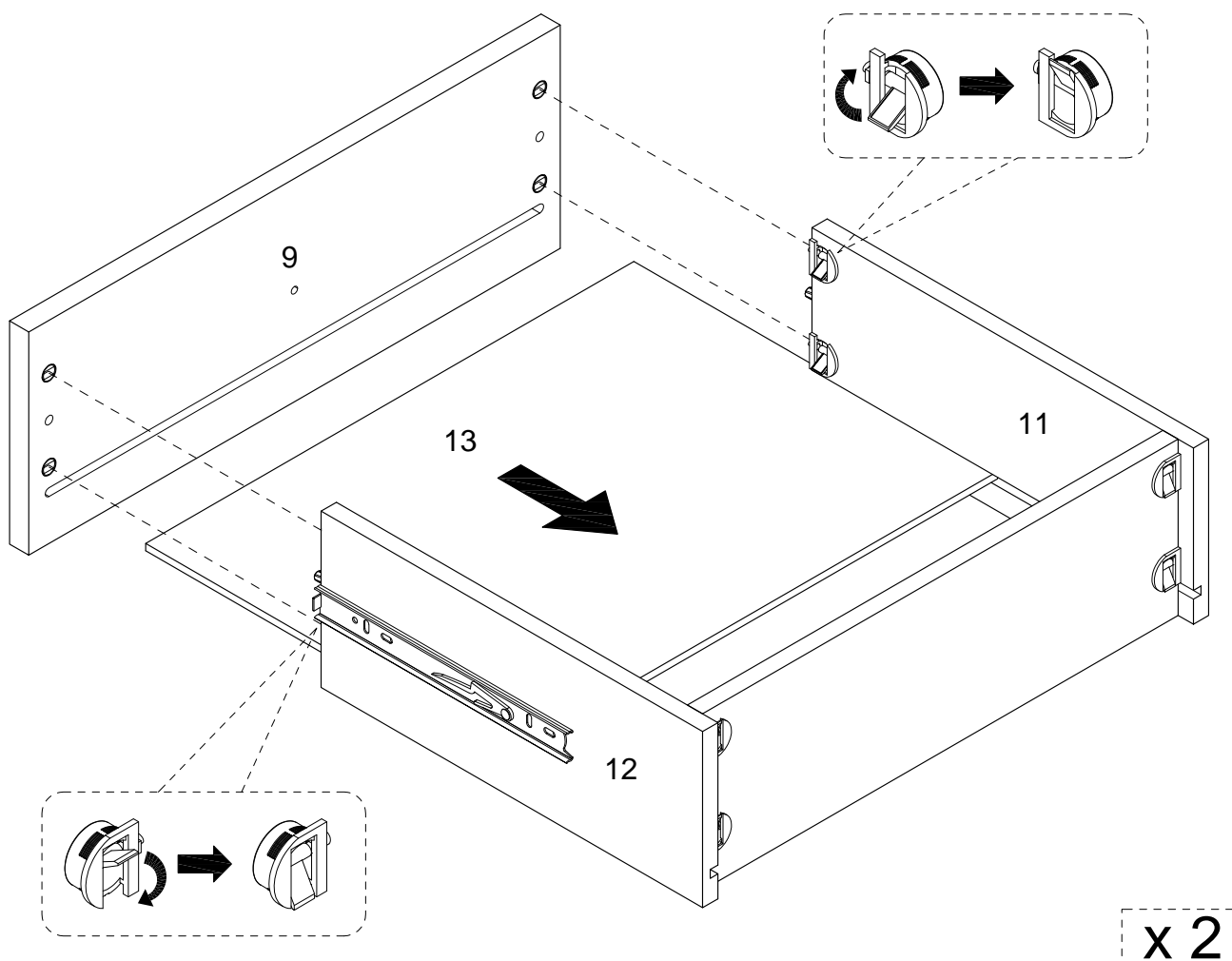
1. Make quick assembly drawer pin is aligned with corresponding hole.



2. Once pin is inserted correctly flip metal lever in opposite direction to ensure panels are firmly locked together.

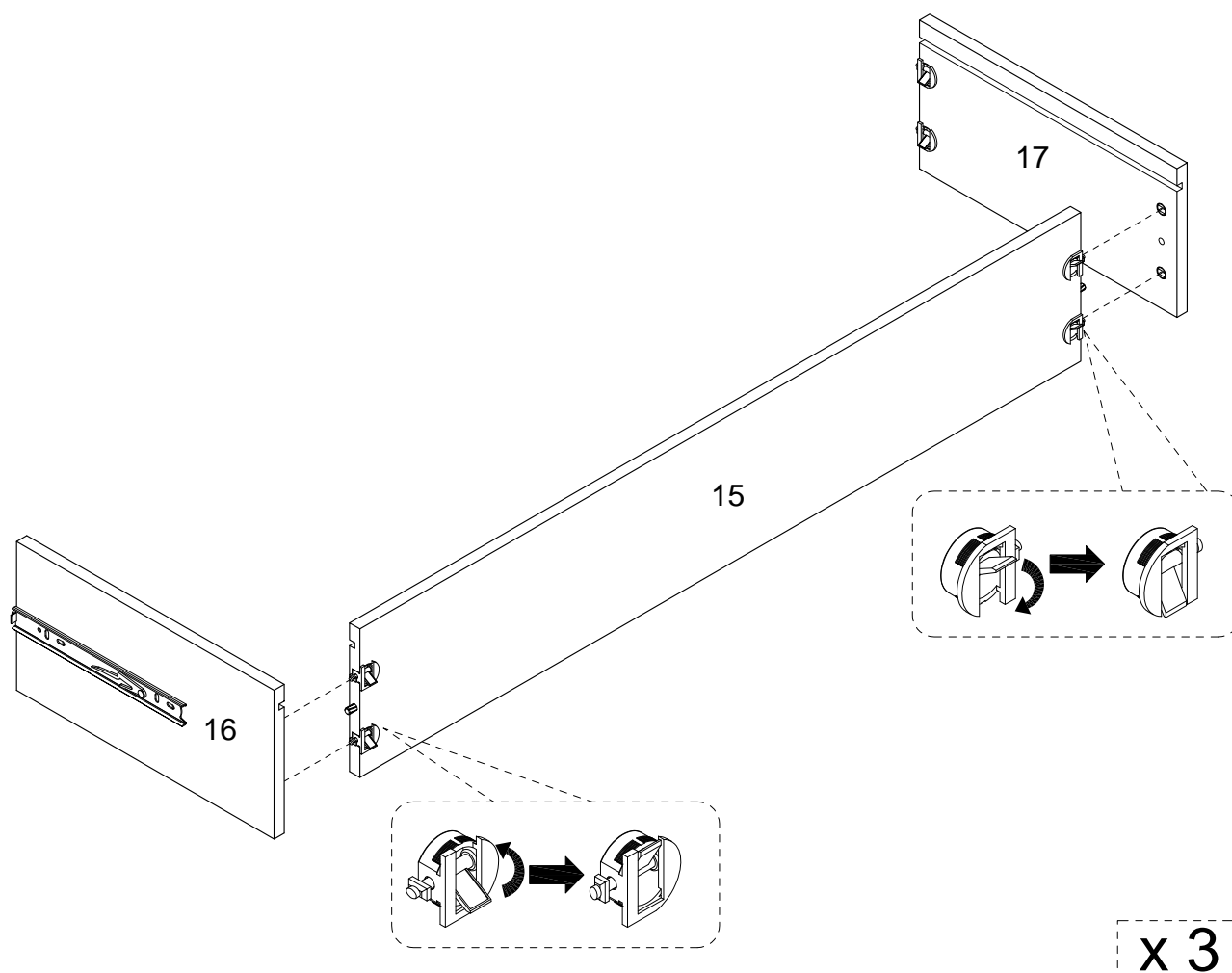
Step 12

Slide the drawer bottom panels (13) into the grooves of the drawer frame. Then attach the Front Drawer Panels (9) to the drawer slides by aligning the dowels and pins. Repeat for the second drawer.



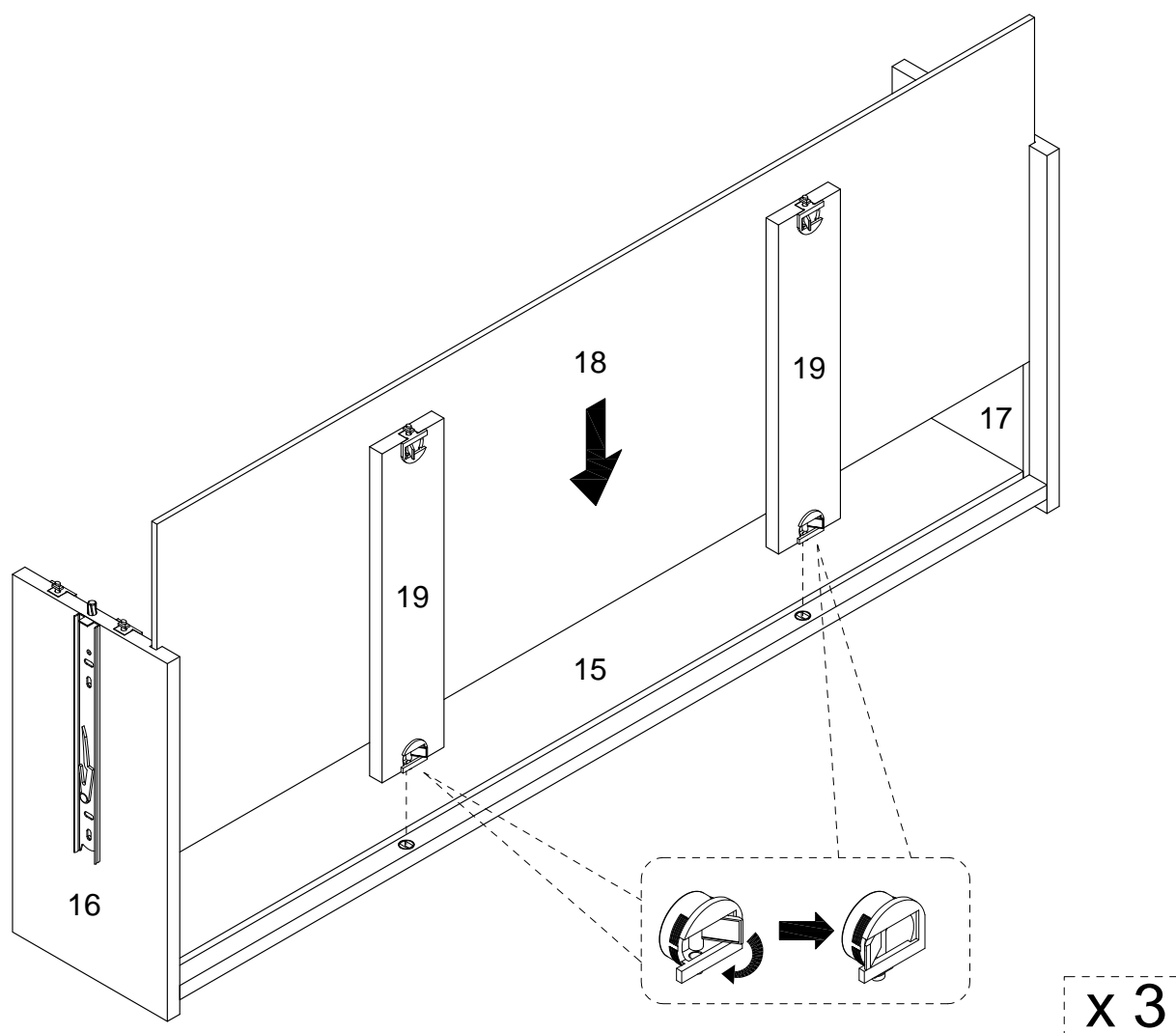
Step 13

Assemble the larger drawers! Repeat the same process for 15, 16, and 17, flipping the tabs on the Drawer Back Panels (15) to secure.



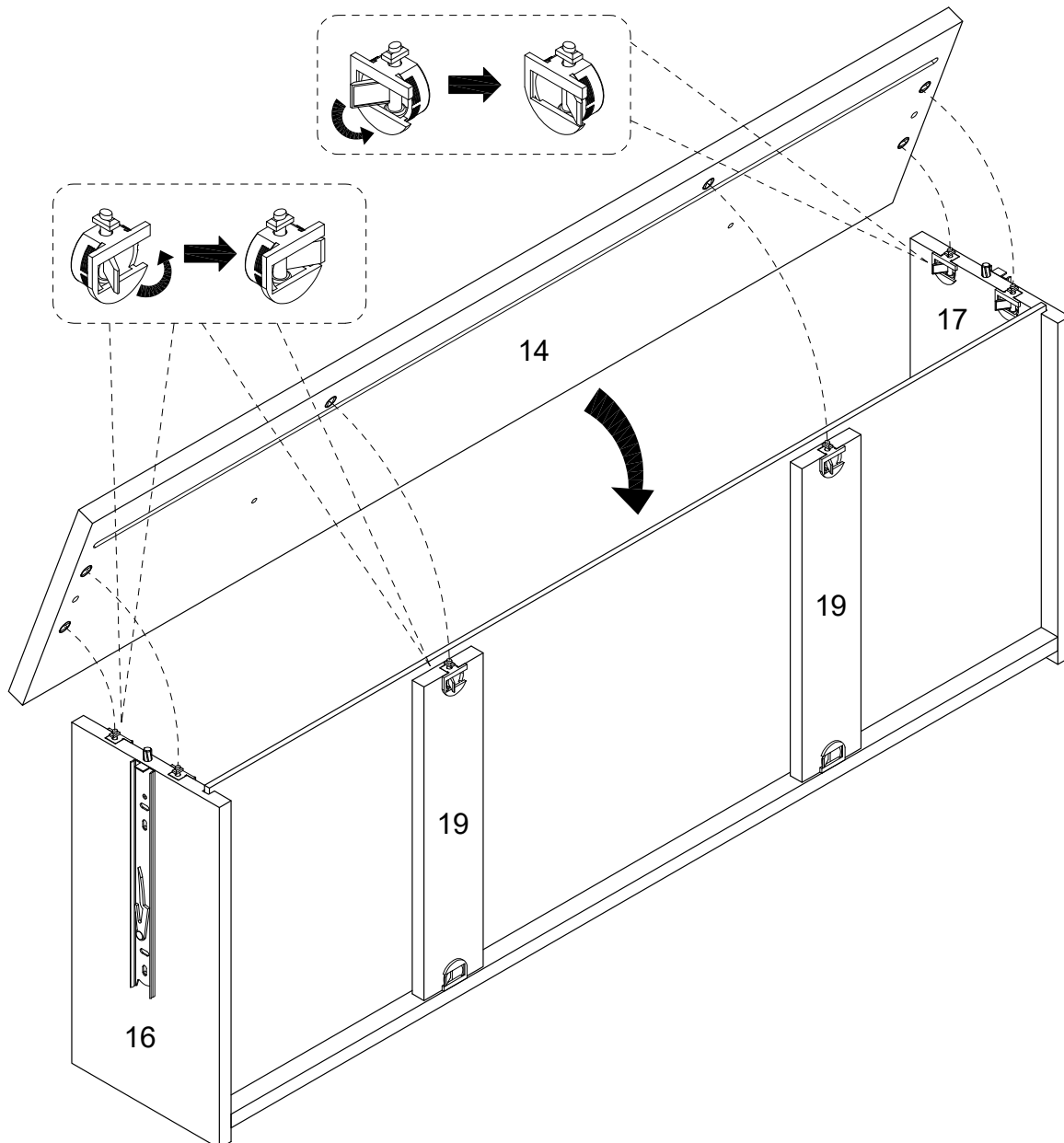
Step 14

Attach two Drawer Support Panels (19) and slide in the drawer bottom panels (18).



Step 15

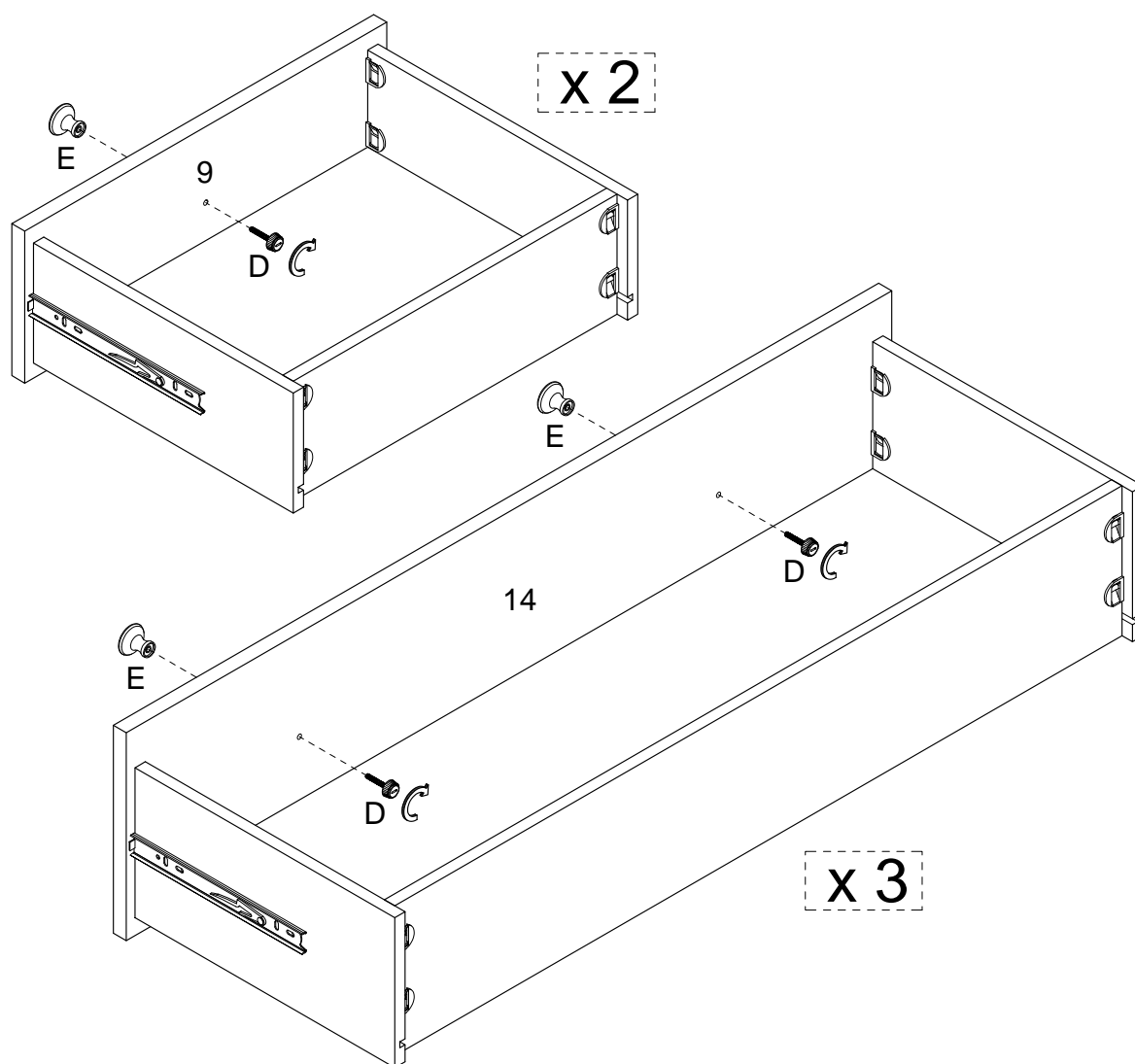
Attach the Front Drawer Panels (14) to the drawer sides, making sure the dowels and pins are aligned. Repeat this step three more times.



x 3

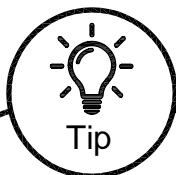
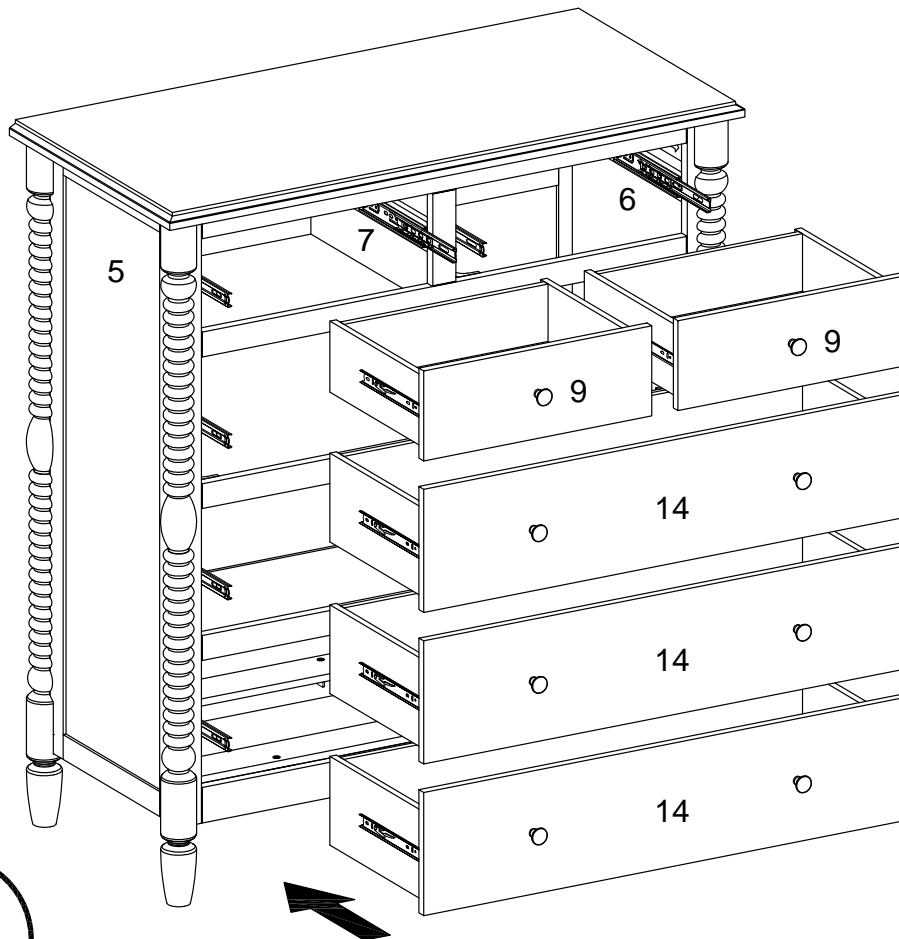
Step 16

Screw on the drawer knobs (E) using the bolts (D) to finish all the drawers. Now they are looking sharp!



Step 17

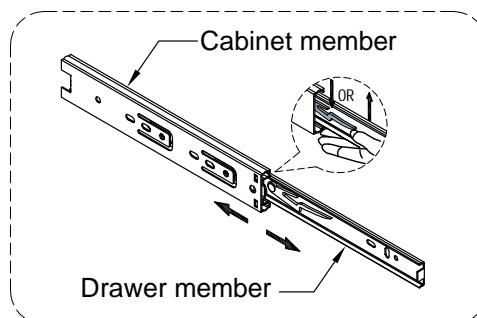
Slide all the drawers into your brand-new dresser. Step back and admire your handiwork—you are so close!



Tip

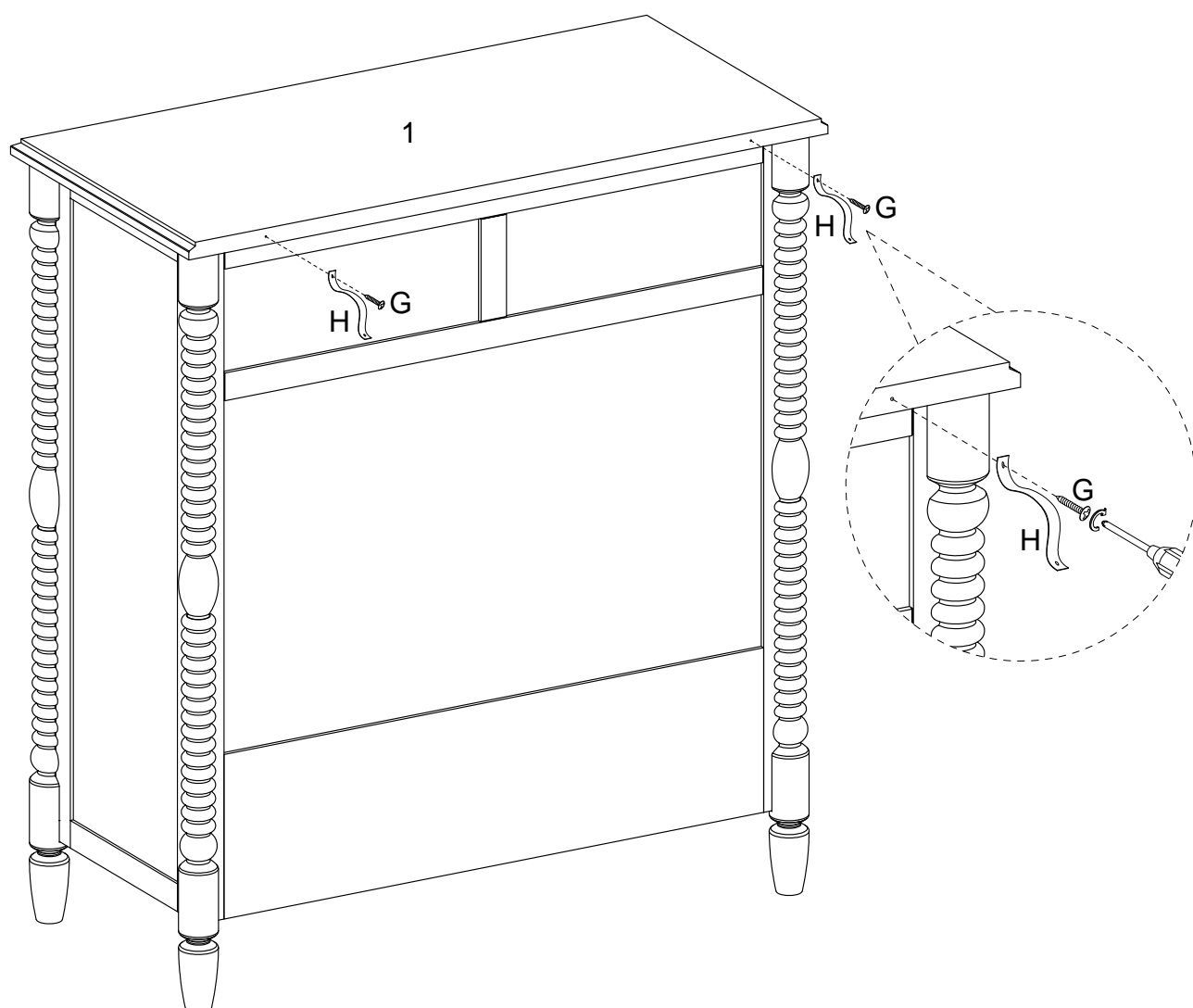
Reinserting your Cabinet Glides together

Line up the Drawer Member so it is inside the guides of the Cabinet Member. Once the connection is made, push the drawer into place entirely. It may not be a smooth glide on your first try, but will improve after it's fully inserted.



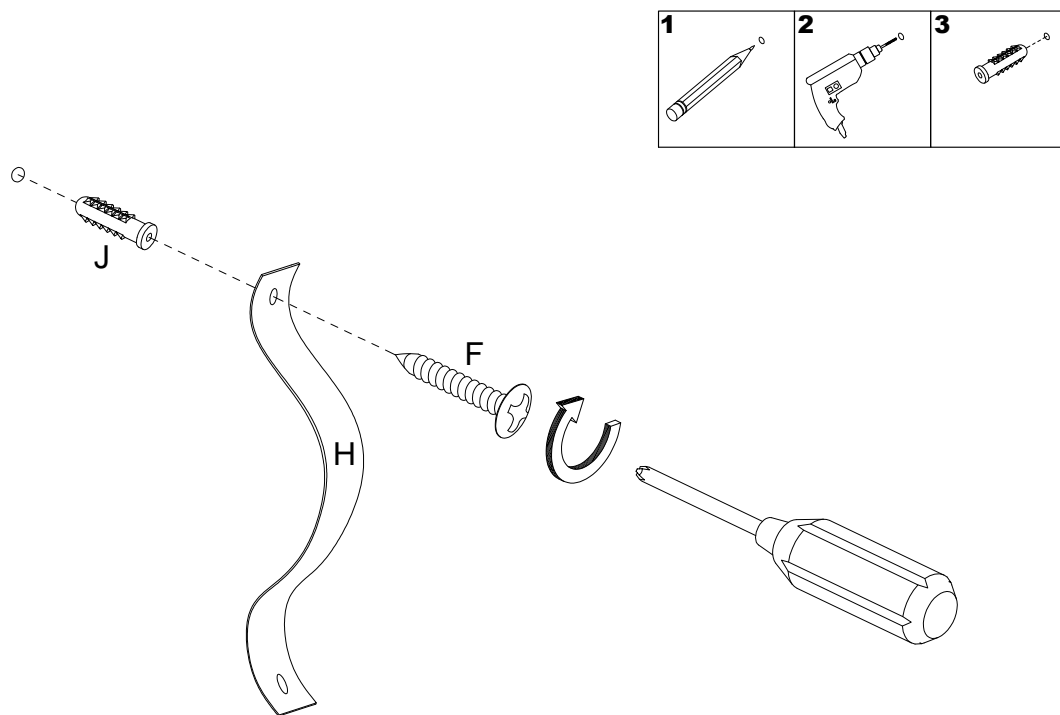
Step 18

Let's install the anti-tip kit! Use the screws (G) to attach the plastic strap (H) to the back of the Top Panel (1).



Step 19

Secure the other end of the plastic strap (H) to your wall using the anchor (J) and screws (F). Now it's sturdy and safe.



Warning

Serious or fatal injuries can occur from furniture tipping over. To prevent the furniture from tipping over we recommend that it is permanently fixed to the wall. Wall anchor and hardware are included with this product. Please make sure hardware is suitable for your walls before installing, as different wall materials may require different types of anchors.

Final Assembly



Congratulations on your new piece of furniture!

We would love to hear about it and see it.
Please leave us a review or post a picture with
#mywalkerredisonhome

Assembling furniture can be tricky sometimes.

Our customer service team, located in Utah, is here for product information, help assembling a product, or for any other customer support issue

Call us at **801-433-3008**

Email us at service@walkeredison.com

Visit our Customer Service website at

walkeredison.com/pages/customer-service

We are available to help Monday -Thursday 8am-5pm, Friday 8am-3pm MST

For details on Assembly Videos, Assembly Instructions, Replacement Parts, and Customer service,
SCAN HERE

