

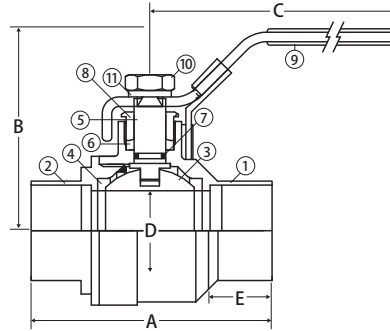
Lead Free Brass Ball Valve

2 Piece, Full Port, Solder Connection, Stainless Steel Trim, Locking Handle, 600 WOG

JF-100SG-LH



CRN# OC16654.5



FEATURES

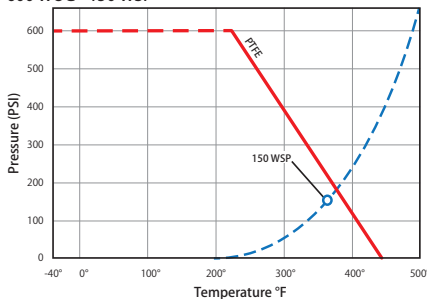
- Dezincification Resistant Brass Alloy
- Gland Follower and Single O-Ring Stem Design
- Blow-Out Proof Stem
- 100% Leak Tested
- IAPMO Certified - NSF 61 & NSF 372
- FM Approval (1/4" - 2")
- 29 in-Hg Vacuum Rating
- Wetted Surfaces Contain Less than .25% Lead Content

CERTIFICATIONS/APPROVALS

- UL Listed up to 175 PSI (1/2" - 2")
 - MHKZ - Manual valves
 - YRPV - Gas shut-off valves
- IAPMO Certified
 - NSF 61-8
 - NSF 372
 - Uniform Plumbing Code (cUPC)
 - IAPMO/ANSI Z1157-2014
 - NSF/ANSI 14-2014
- FM Approval (1/2" - 1-1/2" 600 WOG, 2" 500 WOG)
- MSS SP-110
- ASME/ANSI B16.18

VALVE SEAT RATING

600 WOG - 150 WSP



MATERIALS

No.	Part	Material
1	Body	Lead Free Brass - C46400
2	End Connection	Lead Free Brass - C46400
3	Ball	304 Stainless Steel
4	Seat (2)	PTFE
5	Stem	304 Stainless Steel
6	Packing	PTFE
7	Stem O-Ring	Buna-N
8	Packing Gland	Lead Free Brass - C46400
9	Handle	Steel - Chrome Plated
10	Handle Nut	Steel - Chrome Plated
11	Lock Washer	Steel - Chrome Plated

DIMENSIONS

Part No	Size	A	B	C	D	E
100-113SSG-LH	1/2"	2.17	2.69	4.49	0.59	0.5
100-114SSG-LH	3/4"	2.8	2.91	4.86	0.75	0.75
100-115SSG-LH	1"	3.27	3.22	4.86	0.98	0.86
100-116SSG-LH	1-1/4"	4.1	3.45	5.59	1.26	1.08
100-117SSG-LH	1-1/2"	4.33	3.59	5.59	1.57	0.98
100-118SSG-LH	2"	5.34	3.97	5.59	1.97	1.21
100-119SSG-LH	2-1/2"	6.39	4.88	7.35	2.52	1.48
100-120SSG-LH	3"	7.1	5.25	7.35	2.95	1.66
100-121SSG-LH	4"	9.56	-	-	3.9	2.22