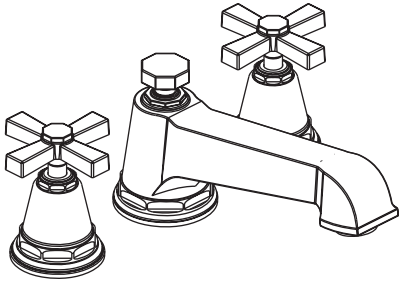


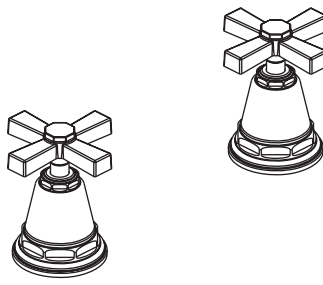
# Installation Guide

## Bath/Deck Mount Faucet

K-T13140



K-T13141



**M** product numbers are for Mexico (i.e. K-12345**M**)  
Los números de productos seguidos de  
**M** corresponden a México (Ej.  
K-12345**M**)  
Français, page " Français-1"  
Español, página " Español-1"

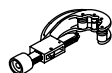
1036138-2-A

THE BOLD LOOK  
OF **KOHLER**®

## Tools and Materials



Assorted  
Screwdrivers



Tube Cutter



Hex  
Wrench



Plumbers  
Putty

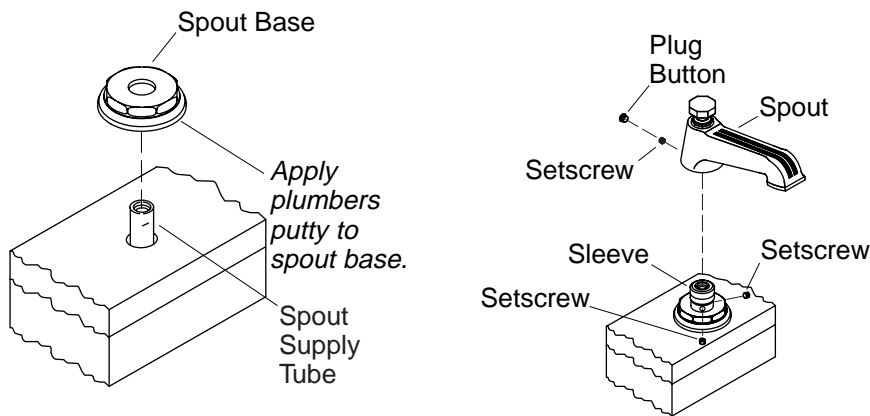
## Thank You For Choosing Kohler Company

We appreciate your commitment to Kohler quality. Please take a few minutes to review this manual before you start installation. If you encounter any installation or performance problems, please don't hesitate to contact us. Our phone numbers and website are listed on the back cover. Thanks again for choosing Kohler Company.

## Before You Begin

- Please read all instructions before you begin.
- Shut off the main water supply.
- Observe all local plumbing and building codes.
- Before installation, unpack the new faucet and inspect it for damage. Return the faucet to the carton until installation.
- Kohler Co. reserves the right to make revisions in the design of faucets without notice, as specified in the Price Book.



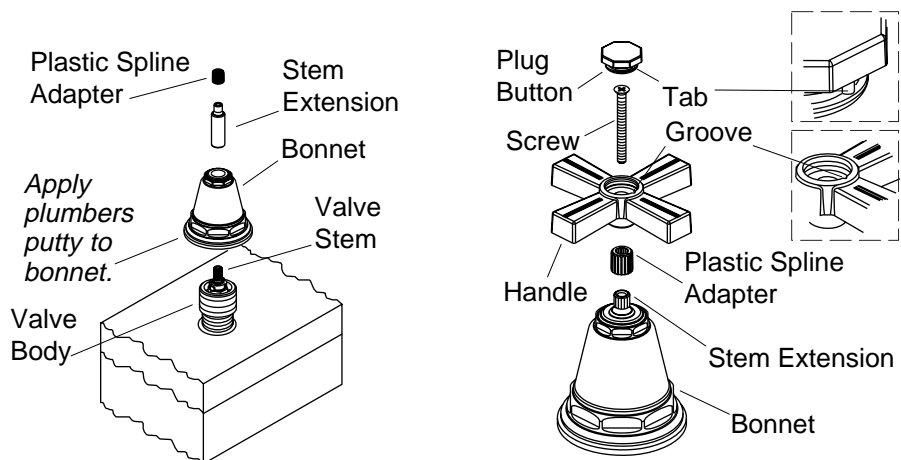


## 2. Install Spout



**CAUTION: Risk of product damage.** Use care when installing the spout assembly to prevent damage to the O-ring seal on the sleeve.

- Apply a ring of plumbers putty or other sealant around the underside of the spout base according to the manufacturer's instructions.
- Position the spout base over the spout supply tube.
- Check that the spout base rests on the rim, finished deck, or tile surface.
- Back off the two setscrews in the sleeve, and with a twisting motion install the sleeve on the spout supply tube until it contacts the spout base.
- Align the sleeve so the setscrews are not facing directly forward or backward.
- Tighten the sleeve setscrews.
- Install the spout onto the sleeve, and carefully press down until the spout contacts the spout base.
- Align the spout and tighten the spout setscrew.
- Press the plug button into the setscrew hole.



### 3. Install Handles

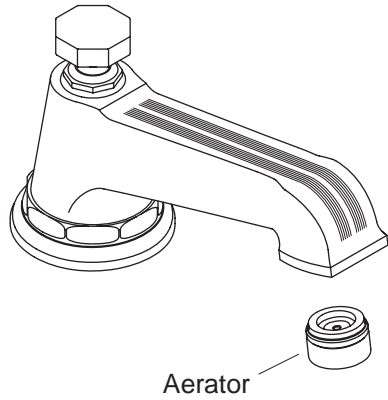
- Remove the plaster guards from the hot and cold valves.
- Check that the valve bodies have an adapter installed to fit the bonnet threads.
- Install the stem extensions over the valve stems.
- If shipped loose, install the plastic spline adapters on the stem extensions.
- Apply a ring of plumbers putty or other sealant around the underside of the bonnets according to the manufacturer's instructions.
- Thread the bonnets onto the valve bodies until the bonnets contact the deck.

**NOTE:** The stem extension allows fine adjustment of the handle alignment. To adjust, remove the handle and reposition the extension. Reinstall the handle and check the alignment. Repeat until the handle alignment is satisfactory.

- Locate the groove in the hole in the handles and orient the groove to the bath.
- Position the handles on the plastic spline adapters. Secure the handles with the screws.
- Orient the tab on the hot plug button with the groove in the left-hand valve handle and push the plug button into the handle.

**Install Handles (cont.)**

- Orient the tab on the cold plug button with the groove in the right-hand valve handle and push the plug button into the handle.



#### 4. Complete the Installation

- Ensure that both faucet handles are turned off.
- Remove the aerator assembly.
- Turn on the main water supply and check for leaks.
- Turn on the hot and cold valves and run water through the spout to remove debris. Check for leaks.
- Turn off the hot and cold valves.
- Remove any debris from the aerator and reinstall.
- Reinstall the aerator assembly.