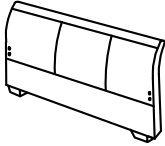


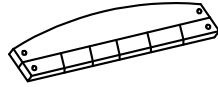
# ASSEMBLY INSTRUCTION

**A** Left & Right Arm



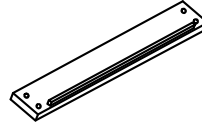
2pcs

**B** Back Rest



1pc

**C** Front & Back Rail



2pcs

**D** Slats for Daybed



2pcs

**E** Bolt  
M8x50mm



12pcs

**F** Bolt  
M8x20mm



8pcs

**G** Lock Washer  
M8x13mm



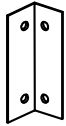
20pcs

**H** Flat Washer  
M8x19mm



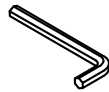
20pcs

**I** Angle Iron  
45x92x2Tmm



4pcs

**J** Allen Key  
M5



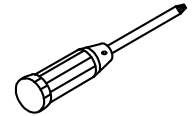
1pc

**K** Screw  
M8x30mm

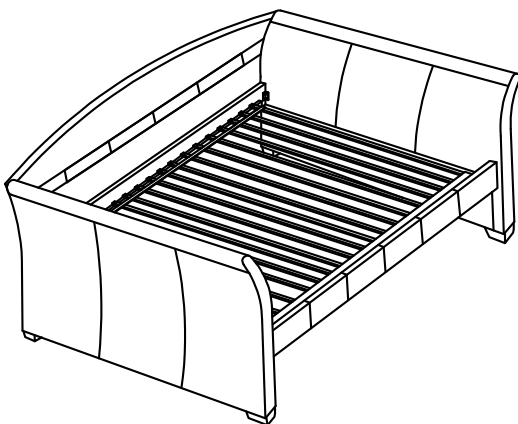


28pcs

**L** Screwdriver  
(Not Provided)

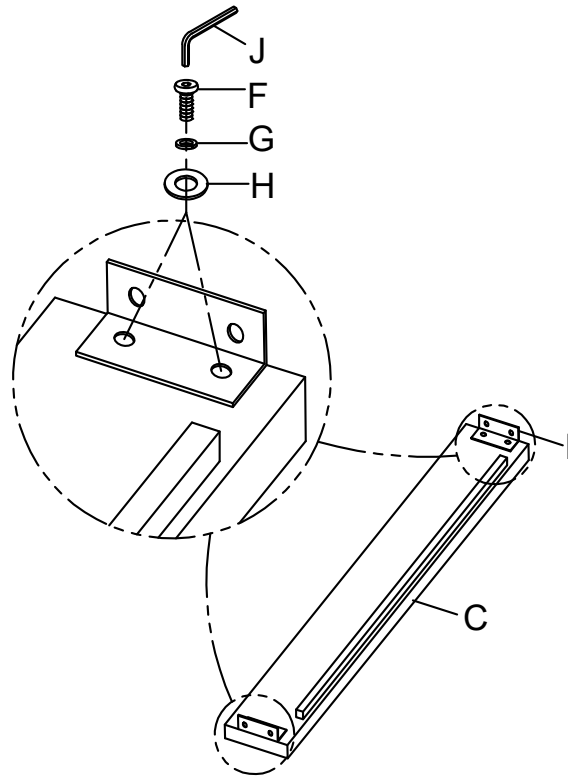


1pc

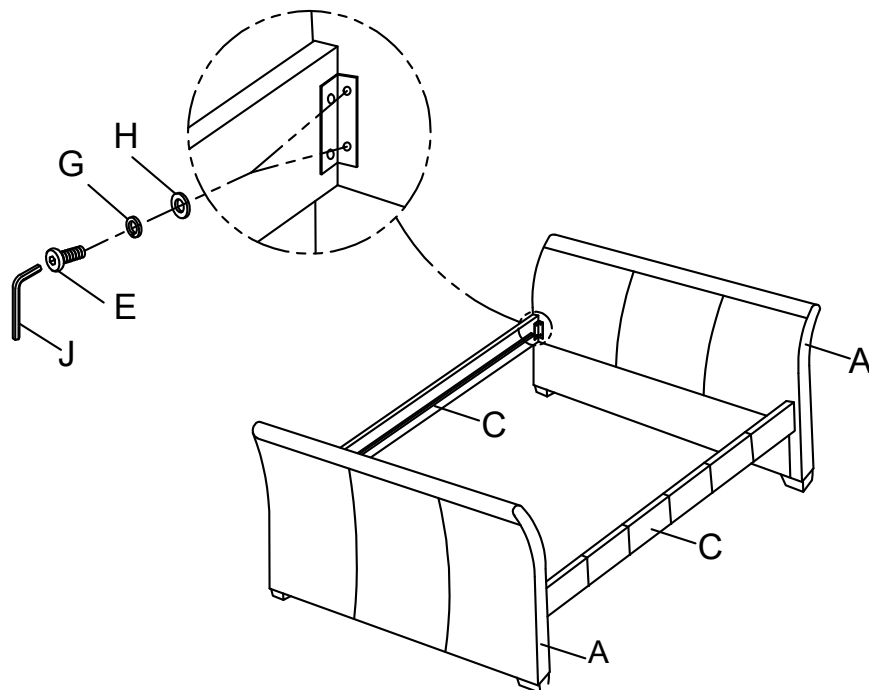


This page lists all the contents included in the box. Please take the time to identify the hardware as well as the individual components to this product. As you unpack and prepare for assembly, place the contents on a carpeted or padded area to protect them from damage.

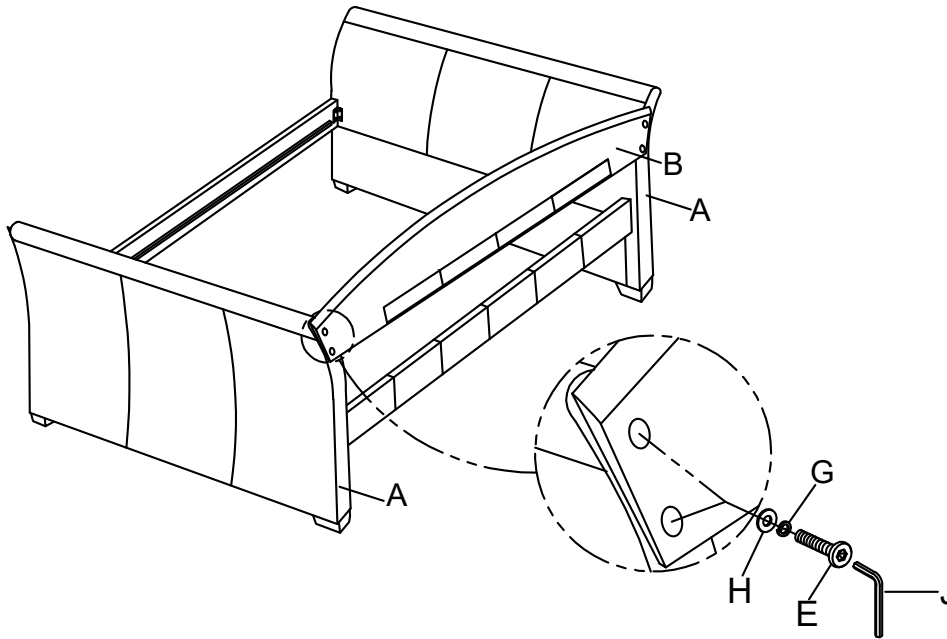
- 1** Attach the Angle Iron (I) to Front & Back Rail (C) using Bolt (F), Lock Washer (G) and Flat Washer (H), then tighten with Allen Key (J).



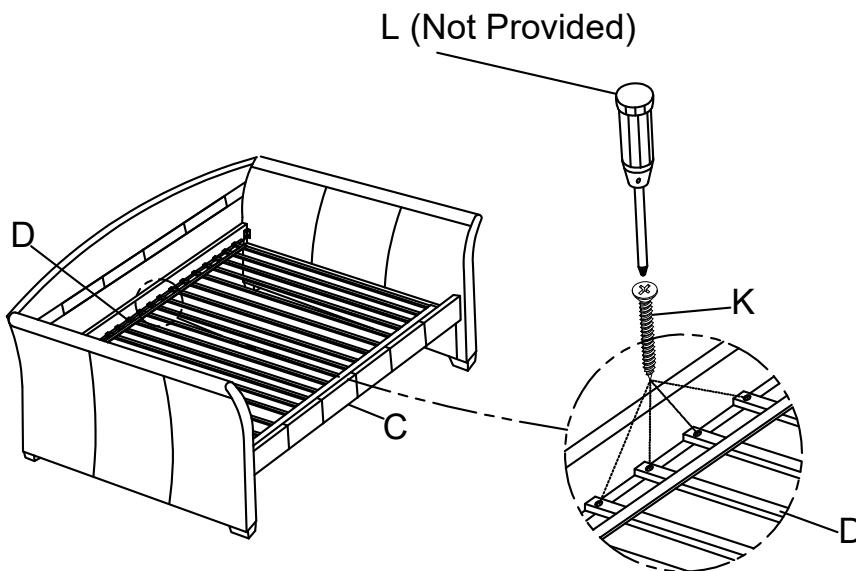
- 2** Attach the Front & Back Rail (C) to Left & Right Arm (A) using Bolt (E), Lock Washer (G) and Flat Washer (H), then tighten with Allen Key (J).



- 3** Attach the Back Rest (B) to Left & Right Arm (A) using Bolt (E), Lock Washer (G) and Flat Washer (H), then tighten with Allen Key (J).





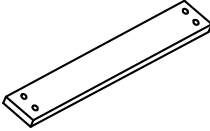
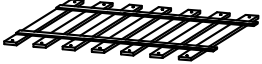




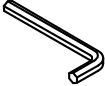

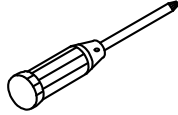
- 4** Attach Slats for Daybed (D) to uniform on the Front & Back Rail (C) using Screw (K) on holes of Slats for Daybed (D), to tighten by Screwdriver (L).

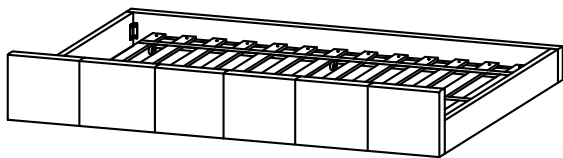


### Cleaning & Care

Treat surface with care. Surface is resistant to scratches but is not scratch resistant. Clean surfaces with a dry or damp soft cloth. Do not use abrasive cleaners. Hardware may loosen over time. Periodically check that all connections are tight.

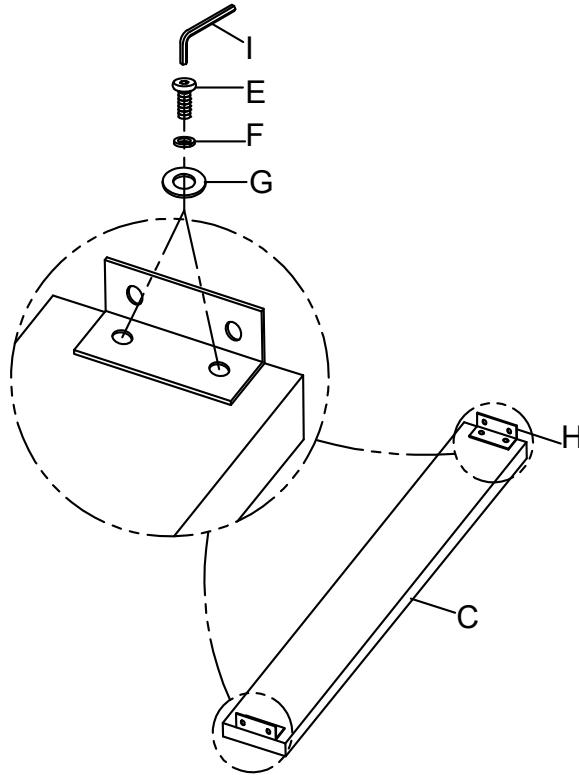
# ASSEMBLY INSTRUCTION

<b>A</b> Front Panel  1pc	<b>B</b> Back Panel  1pc	<b>C</b> Trundle Left & Right Panel  2pcs	<b>D</b> Slats for Trundle (in box 2)  2pcs
<b>E</b> Bolt M8x20mm  16pcs	<b>F</b> Lock Washer M8x13mm  16pcs	<b>G</b> Flat Washer M8x19mm  16pcs	<b>H</b> Angle Iron 45x92x2Tmm  4pcs
<b>I</b> Allen Key M5  1pc	<b>J</b> Screw M8x30mm  28pcs	<b>K</b> Screwdriver (Not Provided)  1pc	

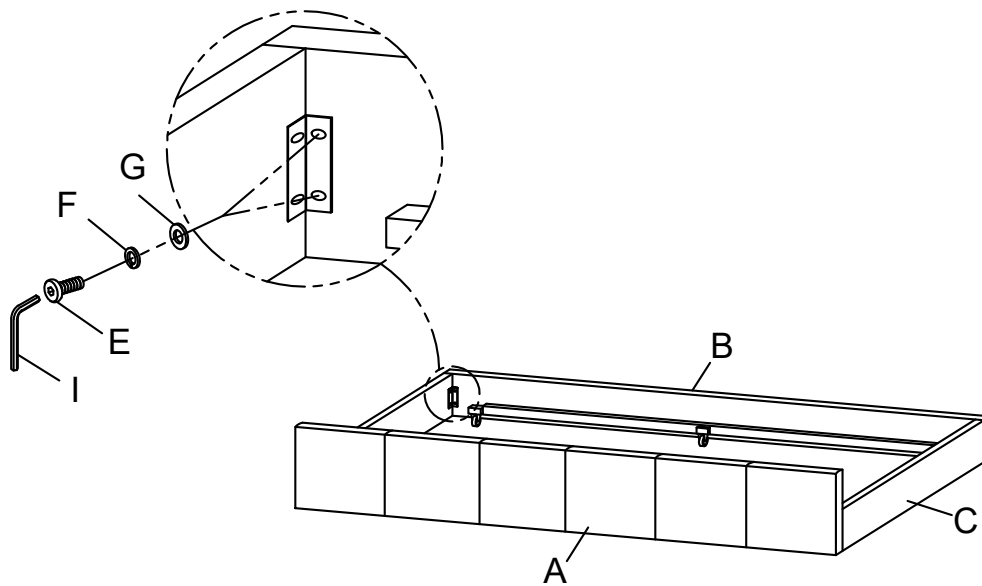


This page lists all the contents included in the box. Please take the time to identify the hardware as well as the individual components to this product. As you unpack and prepare for assembly, place the contents on a carpeted or padded area to protect them from damage.

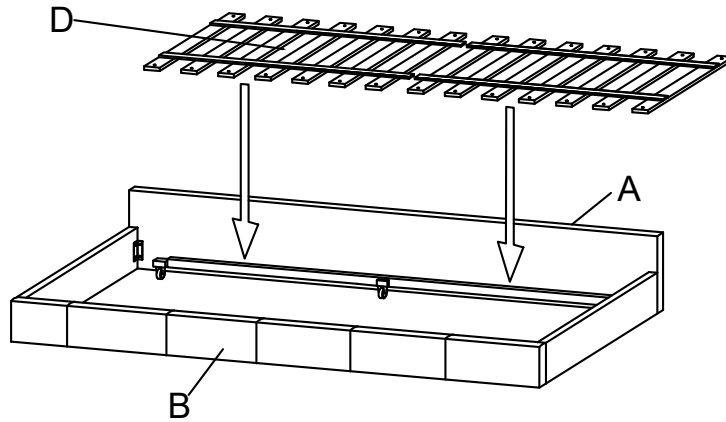
- 1** Attach the Angle Iron (H) to Trundle Left & Right Panel (C) using Bolt (E), Lock Washer (F) and Flat Washer (G), then tighten with Allen Key (I).



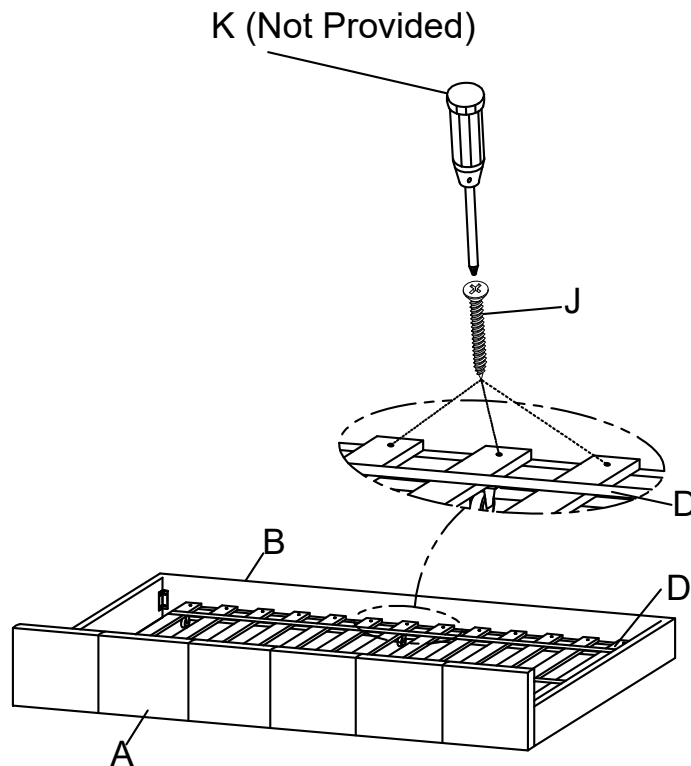
- 2** Attach the Trundle Left & Right Panel (C) to Front Panel (A) and Back Panel (B) using Bolt (E), Lock Washer (F) and Flat Washer (G), then tighten with Allen Key (I).



- 3** Attach the Slats for Trundle (D) to uniform on the trundle Front Panel (A) and Back Panel (B).



- 4** Then using Screw (J) on holes of Slats for Trundle (D), by tighten with Screwdriver (K).



### Cleaning & Care

Treat surface with care. Surface is resistant to scratches but is not scratch resistant. Clean surfaces with a dry or damp soft cloth. Do not use abrasive cleaners. Hardware may loosen over time. Periodically check that all connections are tight.