

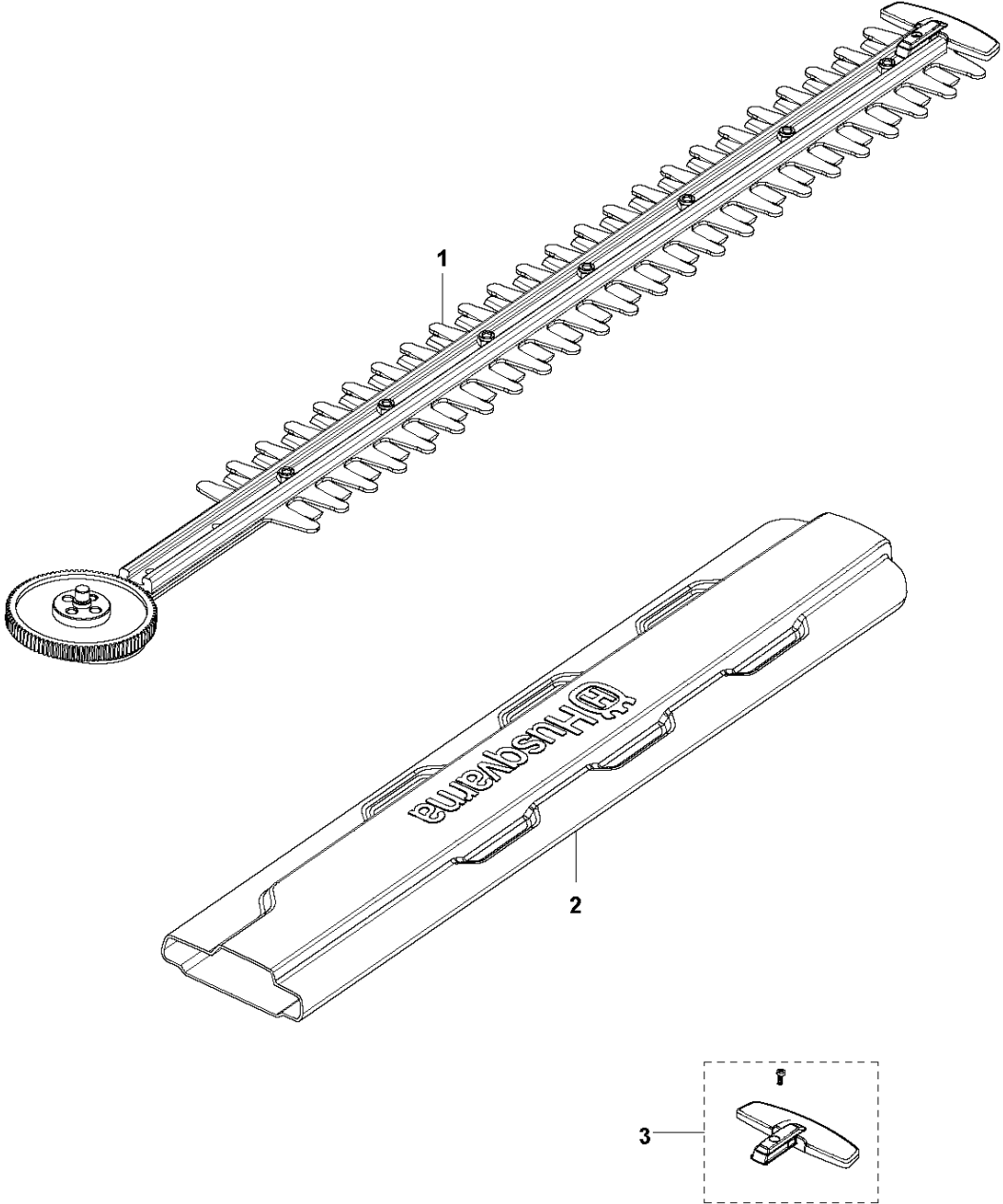


SPARE PARTS LIST

HEDGE TRIMMERS/POLE HEDGE
TRIMMERS

115 iHD55, 967098601, 967098604,
2018-02

A 115 iHD55
CUTTING EQUIPMENT



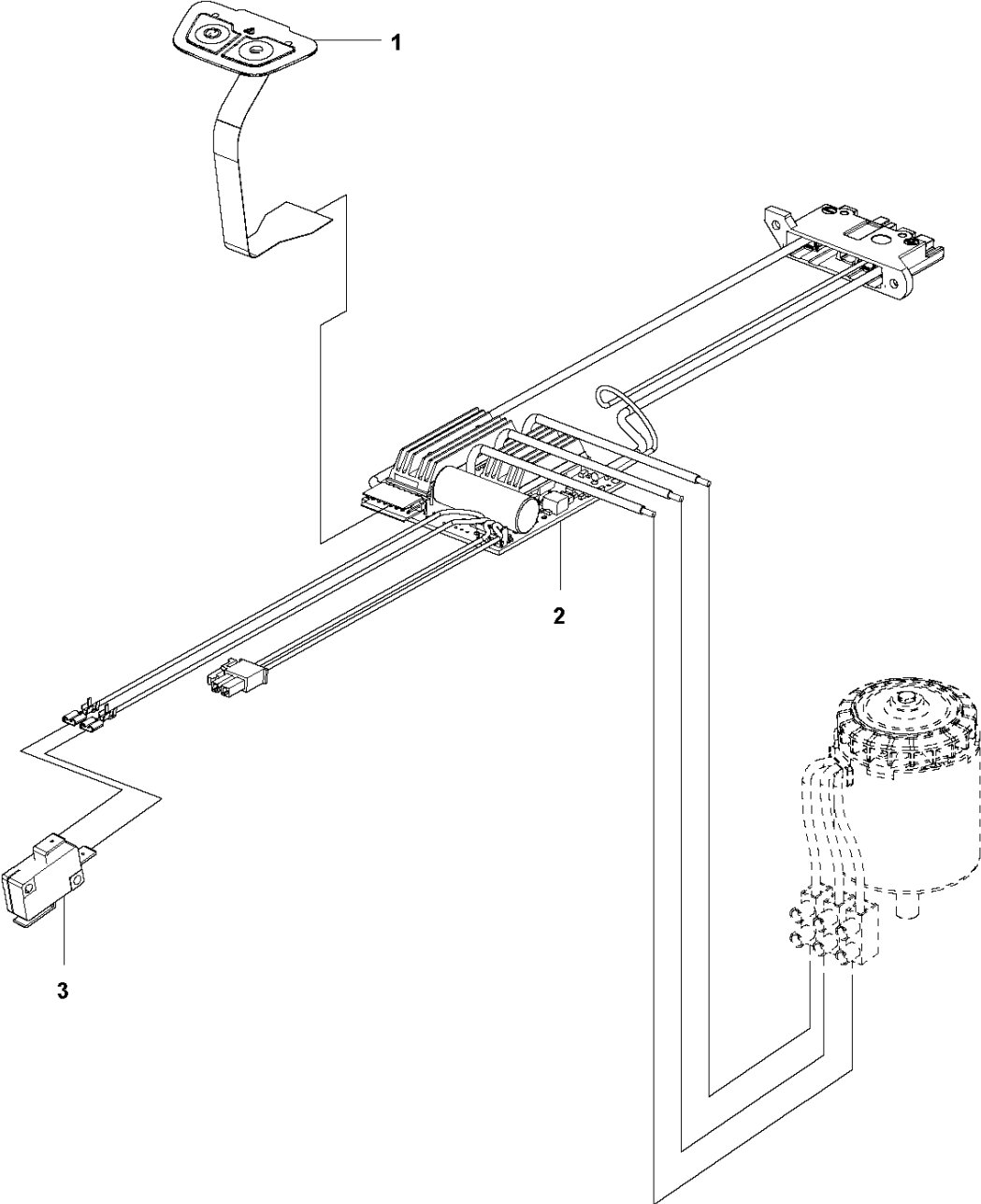
CUTTING EQUIPMENT

115 iHD55, 967098601, 967098604, 2018-02

| Ref | Part No | Description | Remark | QTY KIT |
|-----|--------------|-------------|--------|---------|
| 1 | 590 67 51-01 | DRIVER ASSY | | 1 |
| 2 | 582 49 29-01 | BLADE | | 1 |
| 3 | 588 76 01-01 | BLADE | | 1 |

E2 115 iHD55
ELECTRICAL

HIGHER THAN S/N



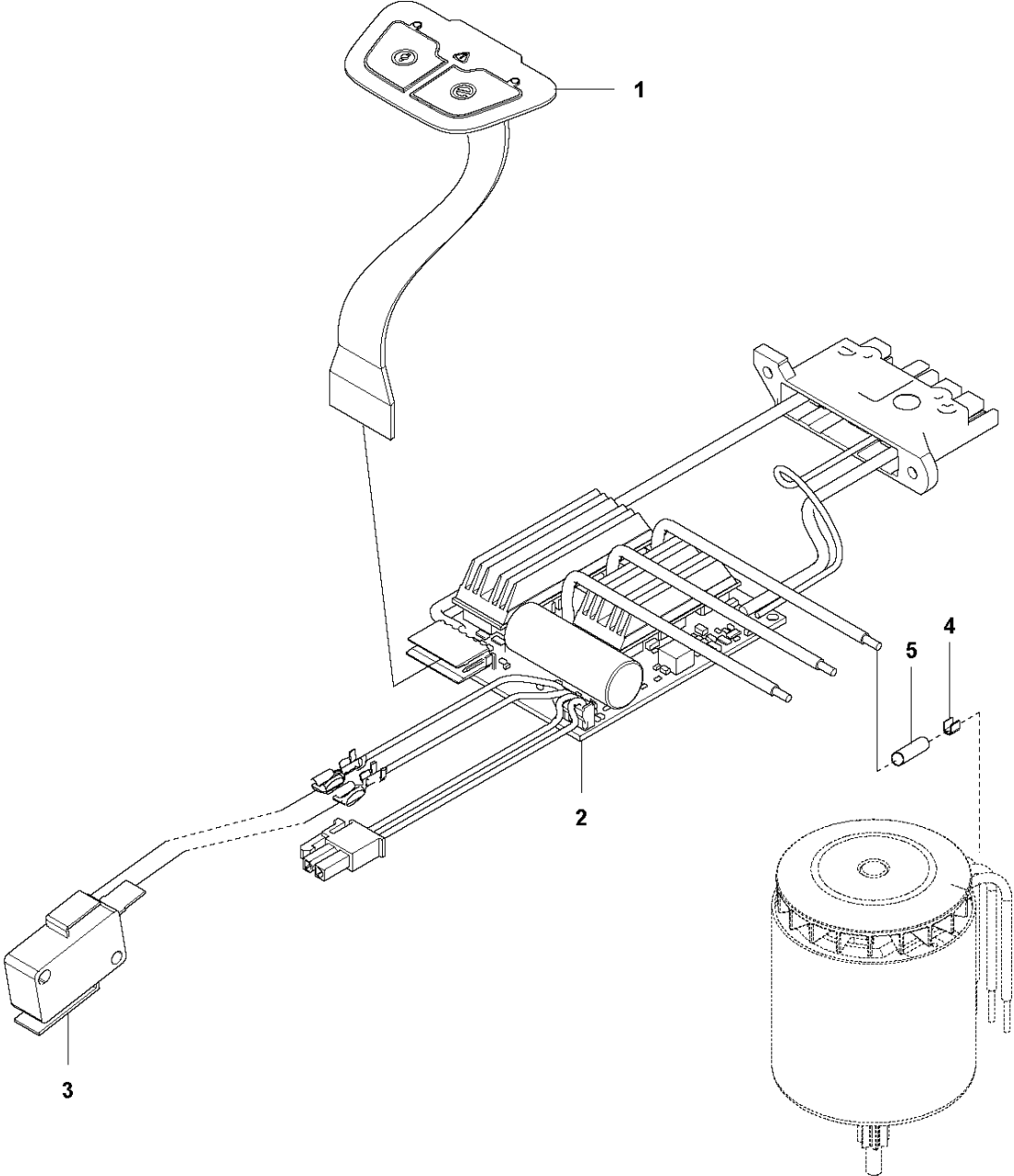
ELECTRICAL

115 iHD55, 967098601, 967098604, 2018-02

| Ref | Part No | Description | Remark | QTY KIT |
|-----|--------------|--------------|--------|---------|
| 1 | 582 54 16-01 | KEYPAD | | 1 |
| 2 | 593 26 46-01 | CONTROL UNIT | | 1 |
| 3 | 590 80 85-01 | MICRO SWITCH | | 1 |

E1 115 iHD55
ELECTRICAL

UP TO S/N



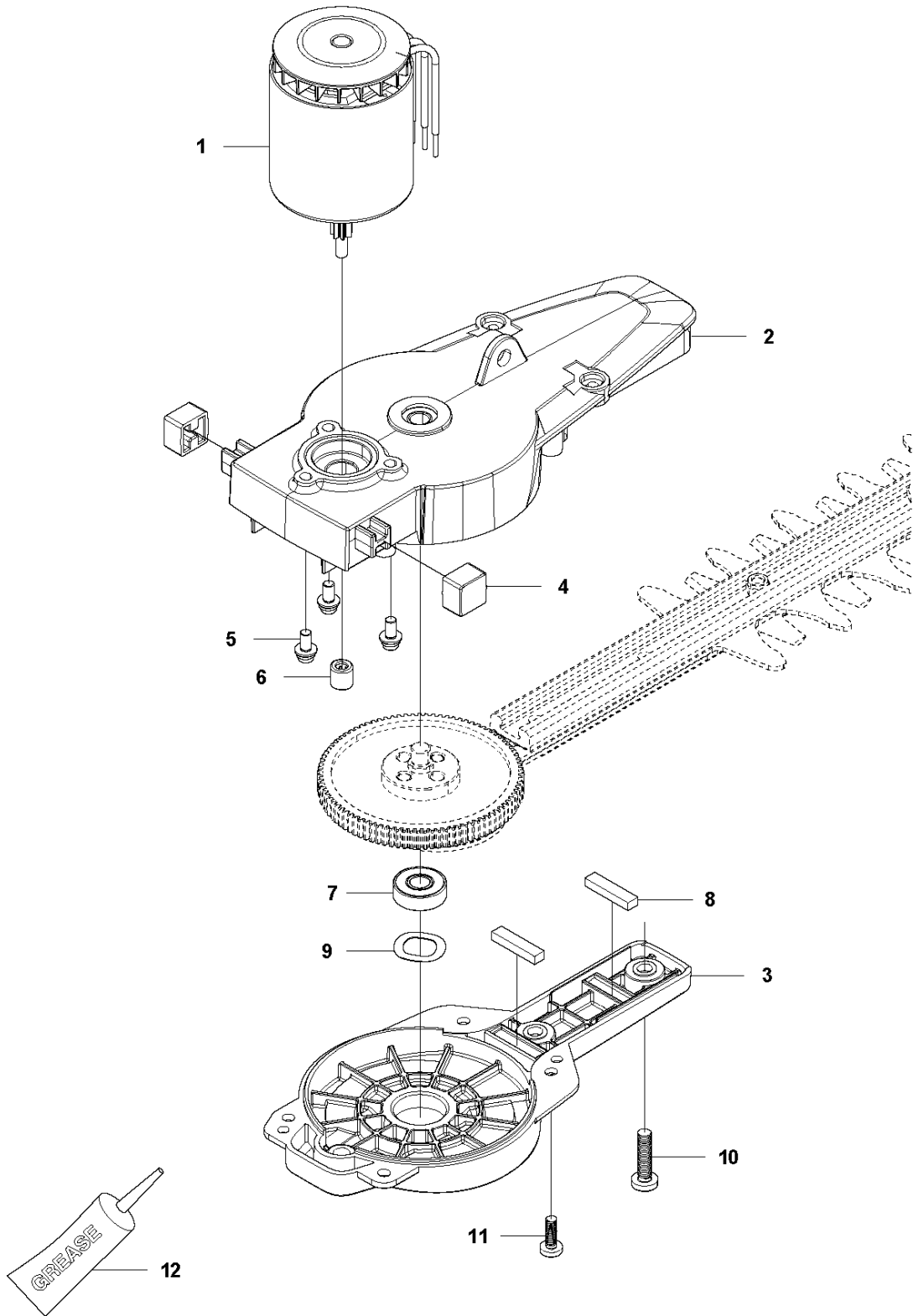
ELECTRICAL

115 iHD55, 967098601, 967098604, 2018-02

| Ref | Part No | Description | Remark | QTY KIT |
|-----|--------------|--------------|--------|---------|
| 1 | 582 54 16-01 | KEYPAD | | 1 |
| 2 | 582 40 59-07 | CONTROL UNIT | | 1 |
| 3 | 585 59 06-01 | MICRO SWITCH | | 1 |
| 4 | 588 25 97-01 | TERMINAL | | 3 |
| 5 | 588 25 98-01 | SLEEVE | | 3 |

B1 115 iHD55
GEARS

UP TO S/N



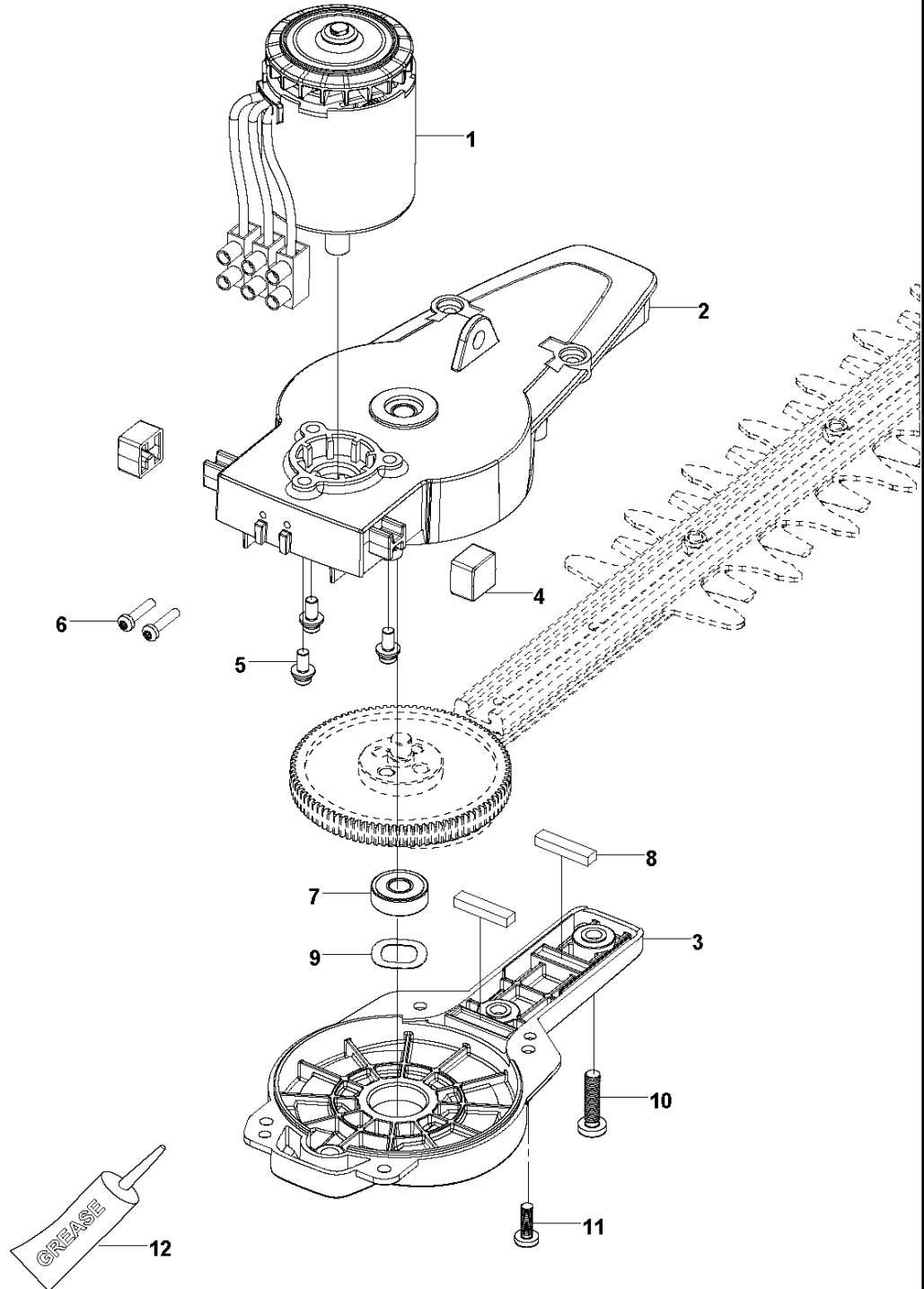
GEARS

115 iHD55, 967098601, 967098604, 2018-02

| Ref | Part No | Description | Remark | QTY KIT |
|-----|--------------|----------------|--------|---------|
| 1 | 589 60 59-01 | MOTOR | | 1 |
| 2 | 589 76 67-01 | GEAR | | 1 |
| 3 | 582 49 26-01 | COVER | | 1 |
| 4 | 585 81 88-01 | SLEEVE | | 2 |
| 5 | 585 94 44-01 | SCREW | | 3 |
| 6 | 585 62 83-01 | NEEDLE BEARING | | 1 |
| 7 | 585 63 58-01 | BALL BEARING | | 1 |
| 8 | 585 62 82-01 | PAD | | 2 |
| 9 | 588 26 77-01 | GEARBOX | | 1 |
| 10 | 585 81 86-01 | SCREW | | 2 |
| 11 | 585 81 87-01 | SCREW | | 4 |
| 12 | 589 38 29-01 | GREASE | 3,5g | 1 |

B2 115 iHD55
GEARS

HIGHER THAN S/N

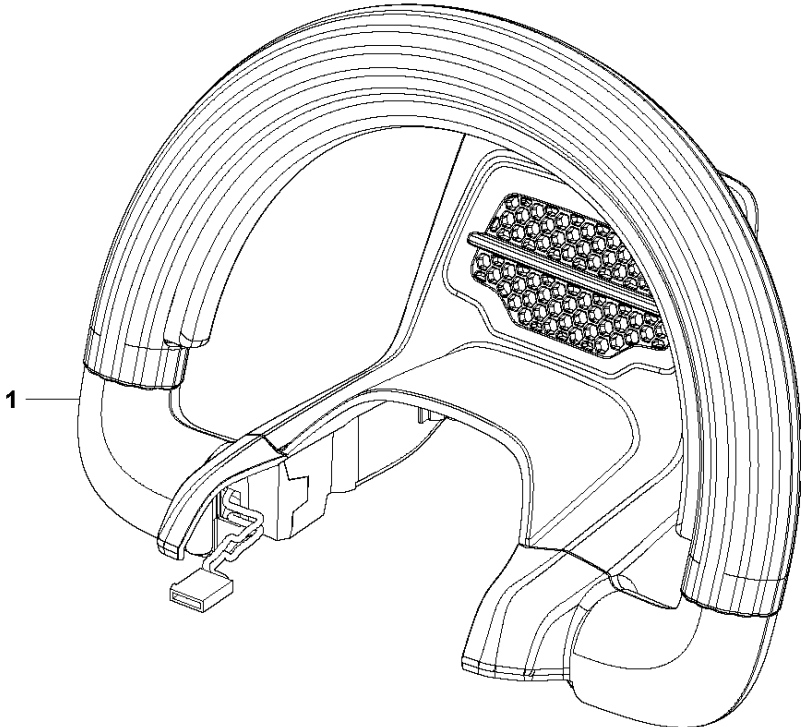


GEARS

115 iHD55, 967098601, 967098604, 2018-02

| Ref | Part No | Description | Remark | QTY KIT |
|-----|--------------|--------------|--------|---------|
| 1 | 590 67 52-01 | MOTOR | | 1 |
| 2 | 591 36 87-01 | GEAR | | 1 |
| 3 | 582 49 26-01 | COVER | | 1 |
| 4 | 585 81 88-01 | SLEEVE | | 2 |
| 5 | 585 94 44-01 | SCREW | | 3 |
| 6 | 586 90 30-02 | SCREW | | 2 |
| 7 | 585 63 58-01 | BALL BEARING | | 1 |
| 8 | 585 62 82-01 | PAD | | 2 |
| 9 | 588 26 77-01 | GEARBOX | | 1 |
| 10 | 585 81 86-01 | SCREW | | 2 |
| 11 | 585 81 87-01 | SCREW | | 4 |
| 12 | 589 38 29-01 | GREASE | 3,5g | 1 |

C 115 iHD55
HANDLE

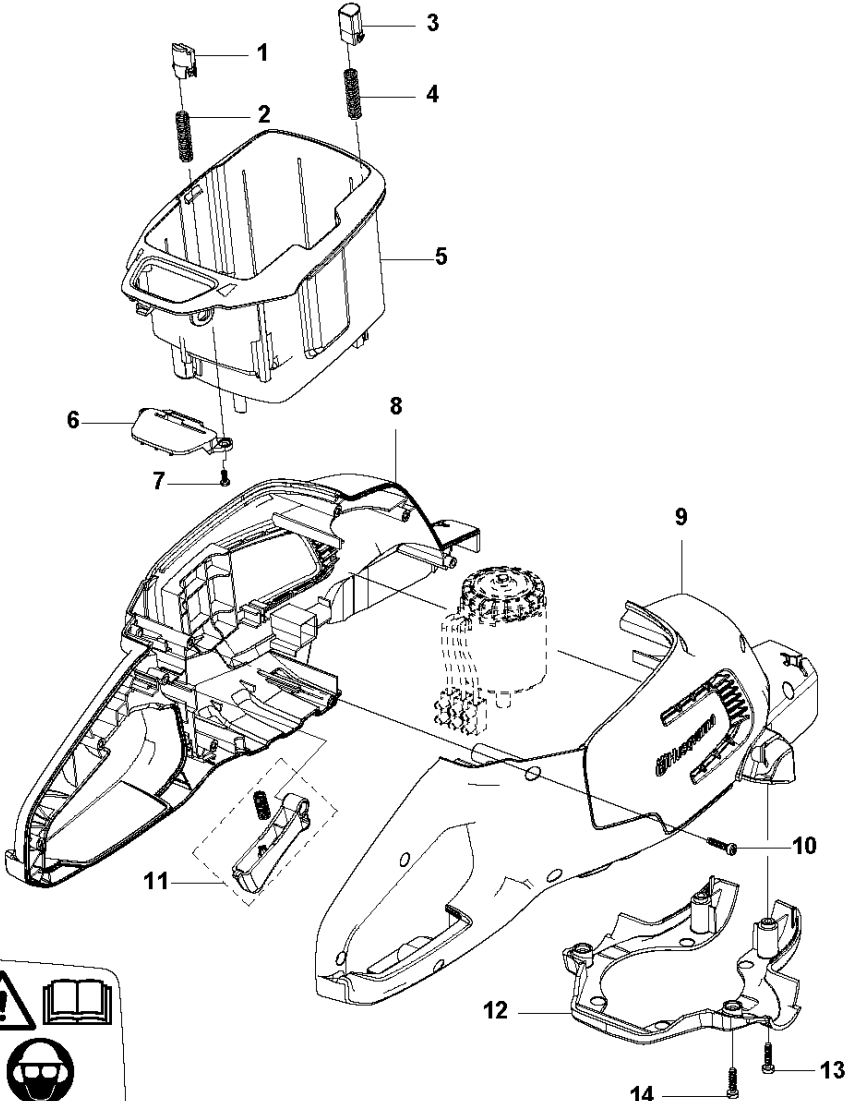


HANDLE

115 iHD55, 967098601, 967098604, 2018-02

| Ref | Part No | Description | Remark | QTY KIT |
|-----|--------------|-------------|--------|---------|
| 1 | 591 42 64-01 | HANDLE | | 1 |

D 115 iHD55
HOUSING



15

BTM 0281

HOUSING

115 iHD55, 967098601, 967098604, 2018-02

| Ref | Part No | Description | Remark | QTY KIT |
|-----|--------------|-------------|--------|---------|
| 1 | 577 99 66-01 | PUSH BUTTON | | 1 |
| 2 | 585 63 62-01 | SPRING | | 1 |
| 3 | 585 63 60-01 | PUSH BUTTON | | 1 |
| 4 | 585 63 66-01 | SPRING | | 1 |
| 5 | 585 63 49-01 | BATTERY BOX | | 1 |
| 6 | 585 63 50-01 | BRACKET | | 1 |
| 7 | 585 81 89-01 | SCREW | | 4 |
| 8 | 588 14 58-02 | HOUSING | | 1 |
| 9 | 588 14 57-01 | HOUSING | | 1 |
| 10 | 585 81 90-02 | SCREW | | 9 |
| 11 | 593 35 21-01 | TRIGGER | | 1 |
| 12 | 585 63 39-01 | COVER | | 1 |
| 13 | 591 46 82-02 | SCREW | | 2 |
| 14 | 591 46 82-01 | SCREW | | 2 |
| 15 | 577 84 43-01 | DECAL | | 1 |