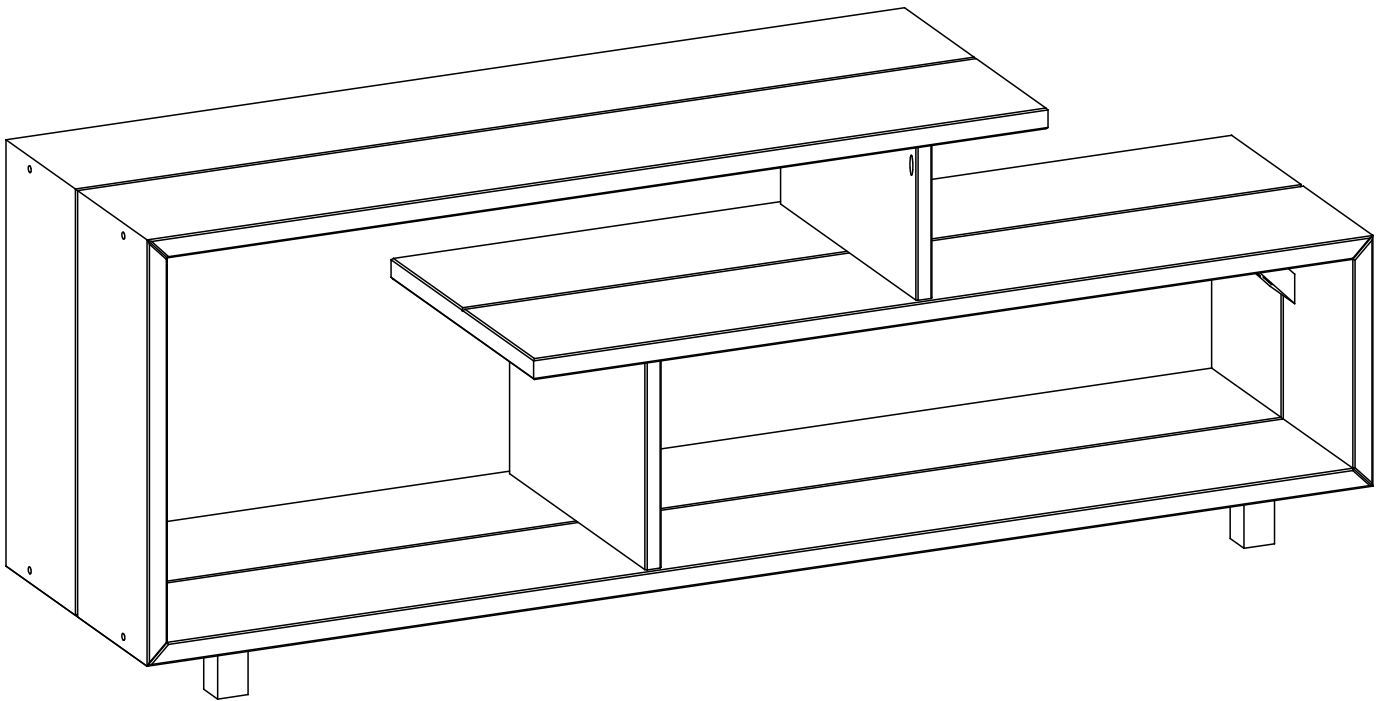


# Item # : W60RSW

## Assembly Instructions

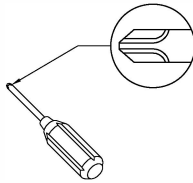


Please visit our website for the most current instructions, assembly tips, to report damage or request parts. [www.walkeredison.com](http://www.walkeredison.com)

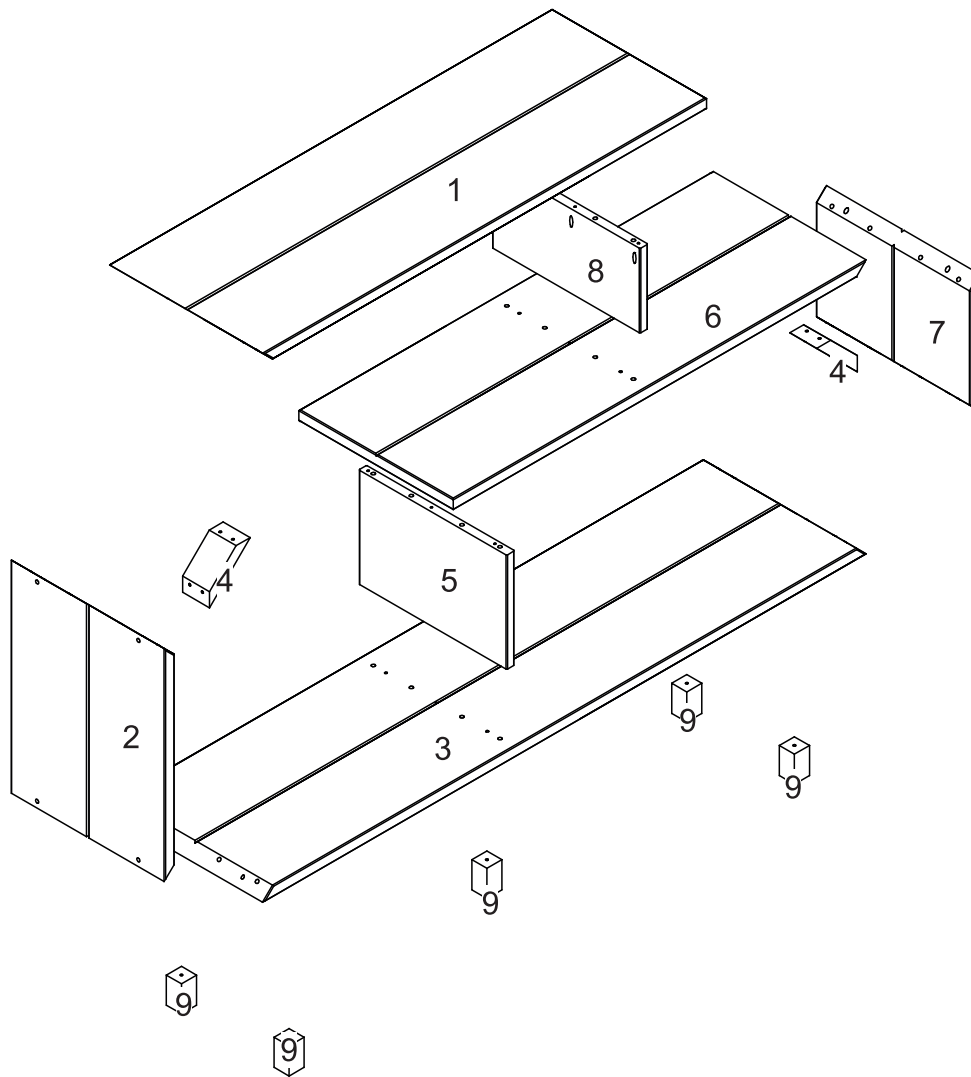
Revised 03/2024

# General Assembly Guidelines







- I. Ensure that all parts and hardware are available before beginning assembly.
- II. Follow each step carefully to ensure the proper assembly of this product.
- III. Two people are recommended for ease in the assembly of this product.
- IV. The three main types of hardware used to assemble this product are : wood dowels , screws and bolts.
- V. A Phillips head screwdriver or power tool is required to assembly this product.



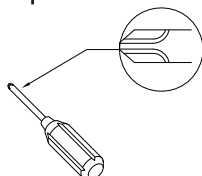
# Parts List



# Hardware List

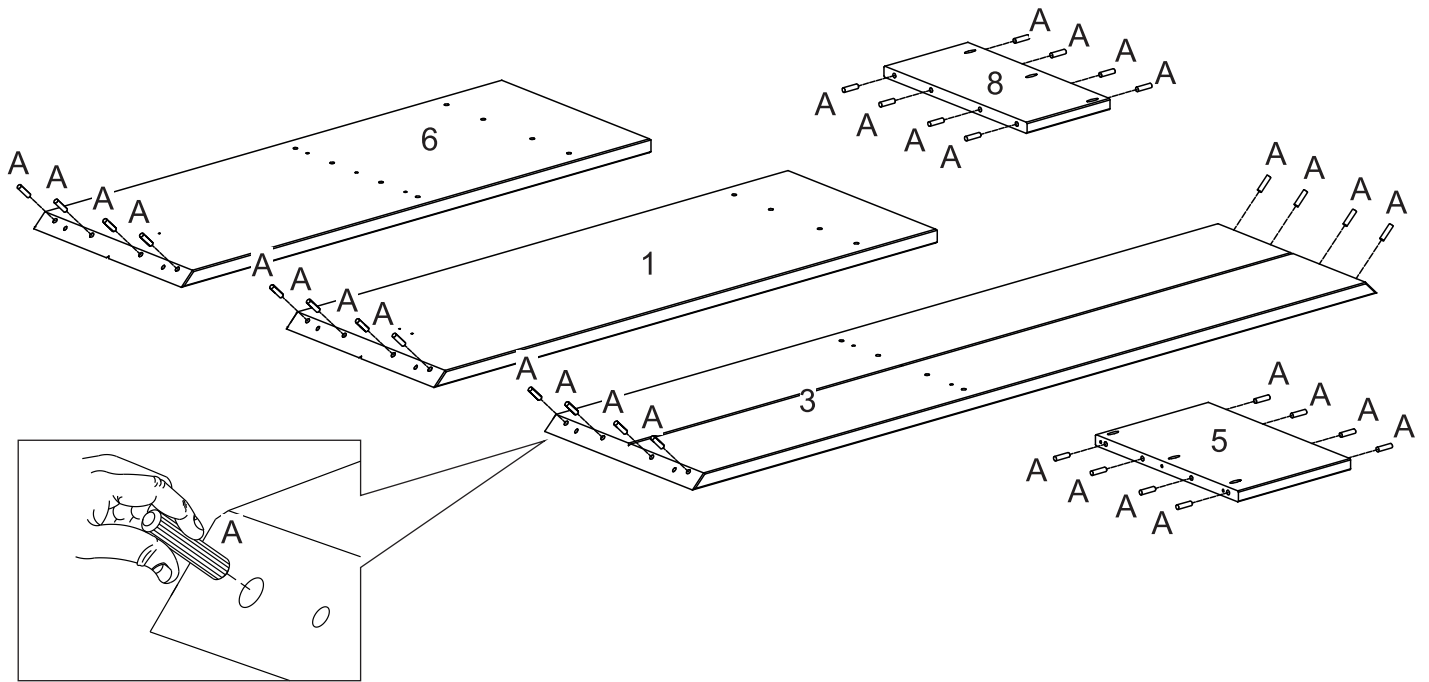
A		Ø8.0x30mm	Wooden dowel	32 pcs
B		Ø4.0x35mm	Screw	14 pcs
C		Ø7x70mm	Screw	08 pcs
D		M4mm	Hex Key	01 pcs
F		Ø4.0x45mm	Screw	11 pcs
G			Adjustable Foot	05 pcs

A Phillips head screwdriver or power tools is required to assembly this product (Not included).



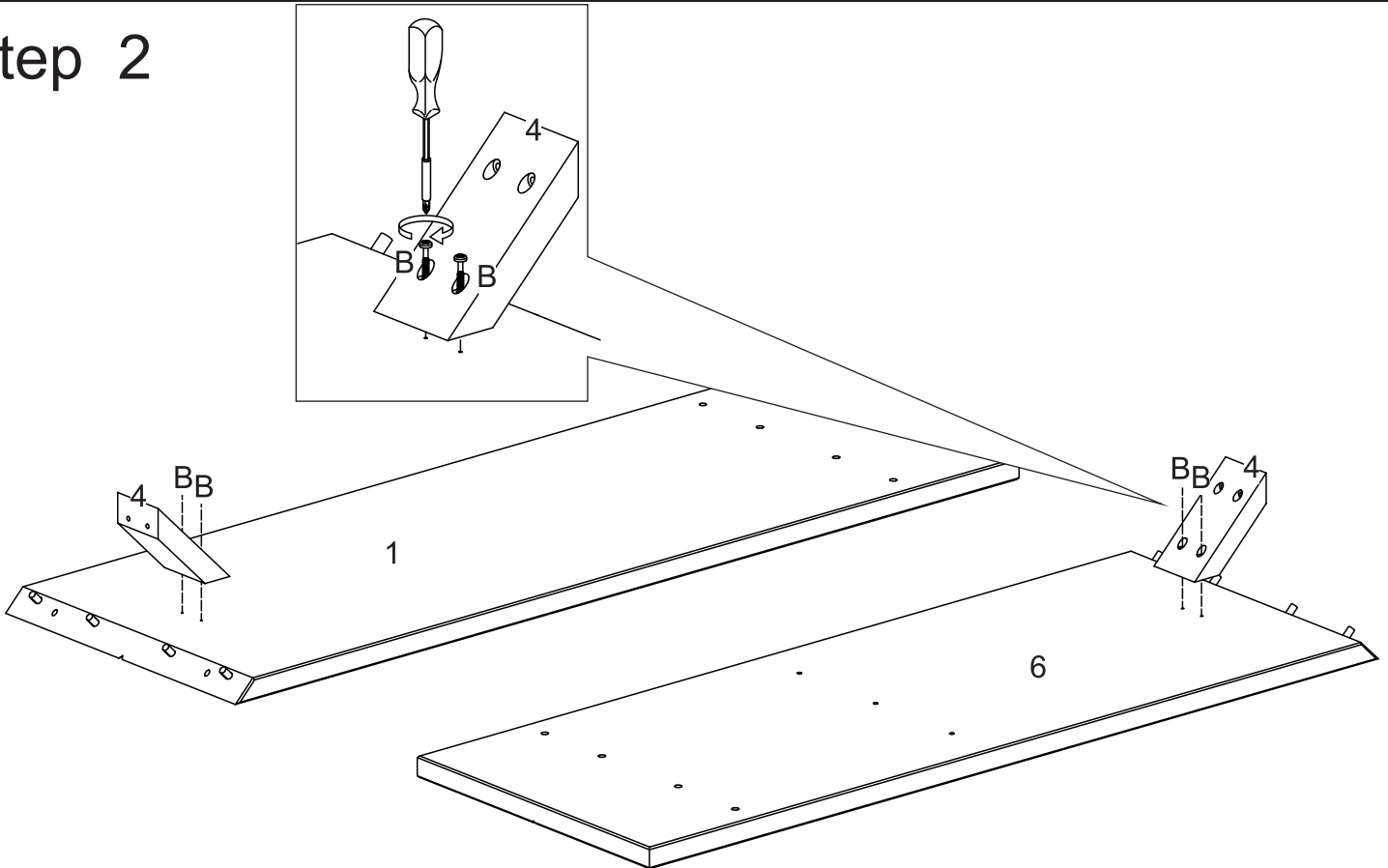
*The hardware quantities listed above are required for proper assembly.  
Some extra hardware may also have been included.*

# Step 1



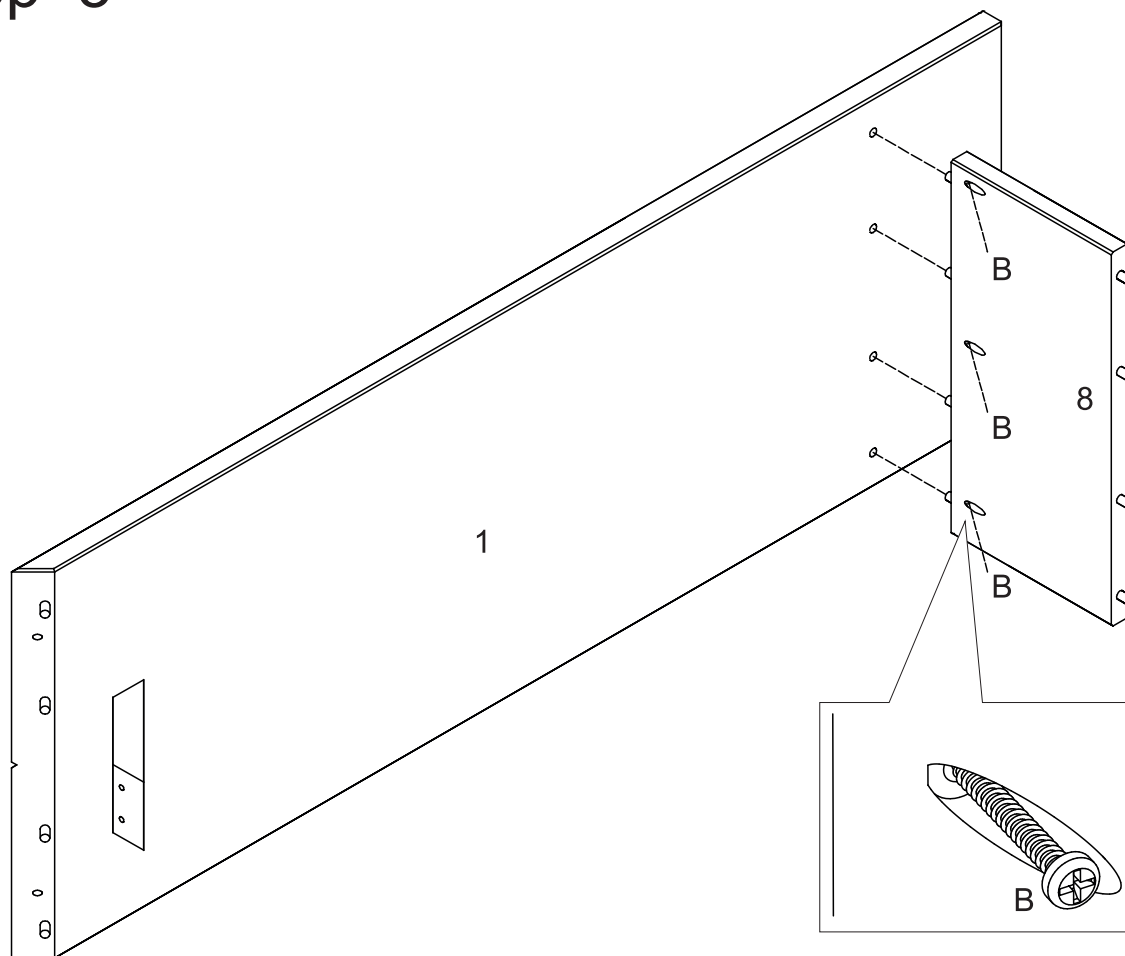
Insert Wooden dowel (A) into part (1), (3), (5), (6) and (8).

# Step 2



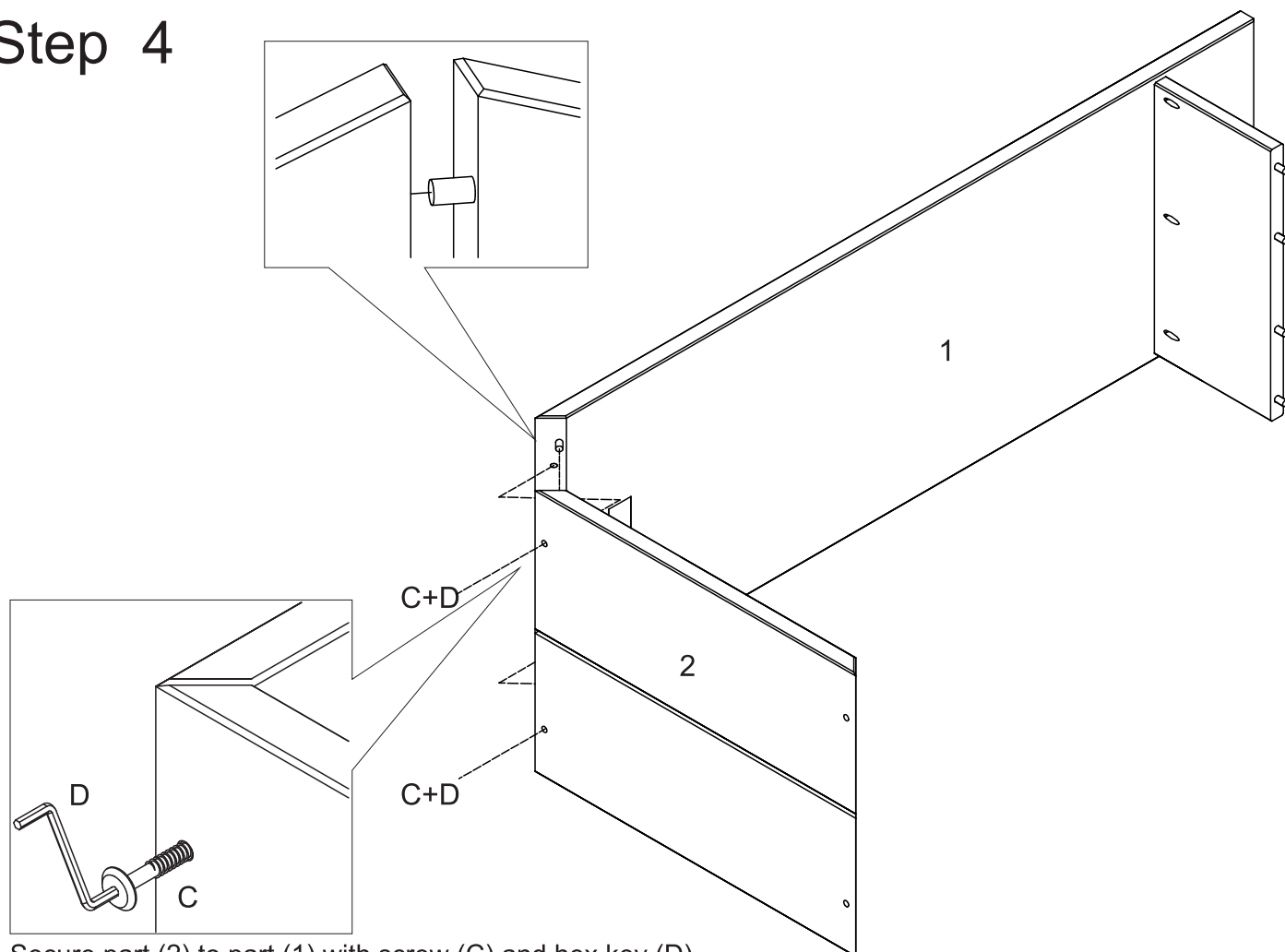
Secure part (4) to part (1), (6) with screw (B).

# Step 3



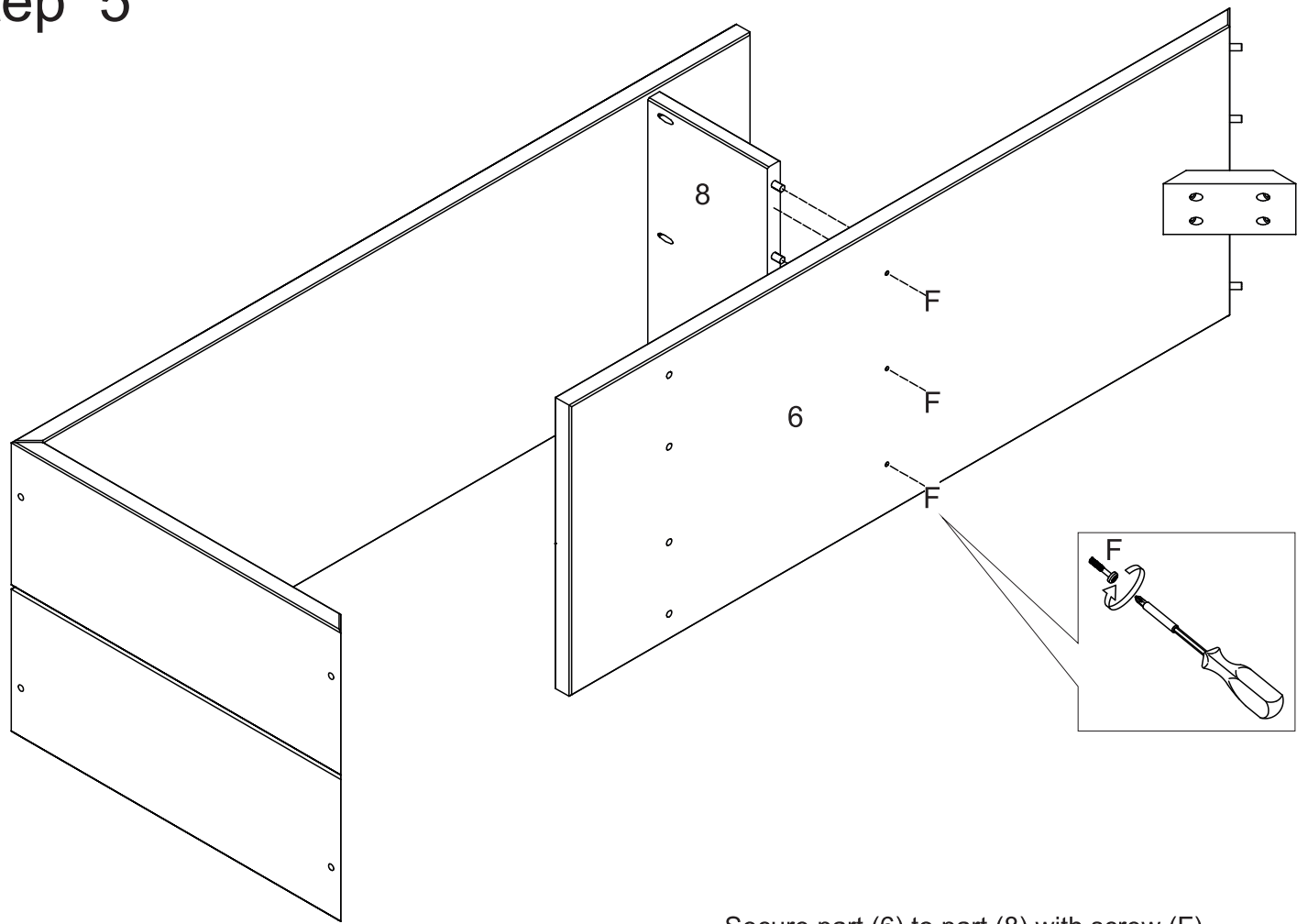
Secure part (8) to part (1) with screw (B).

# Step 4



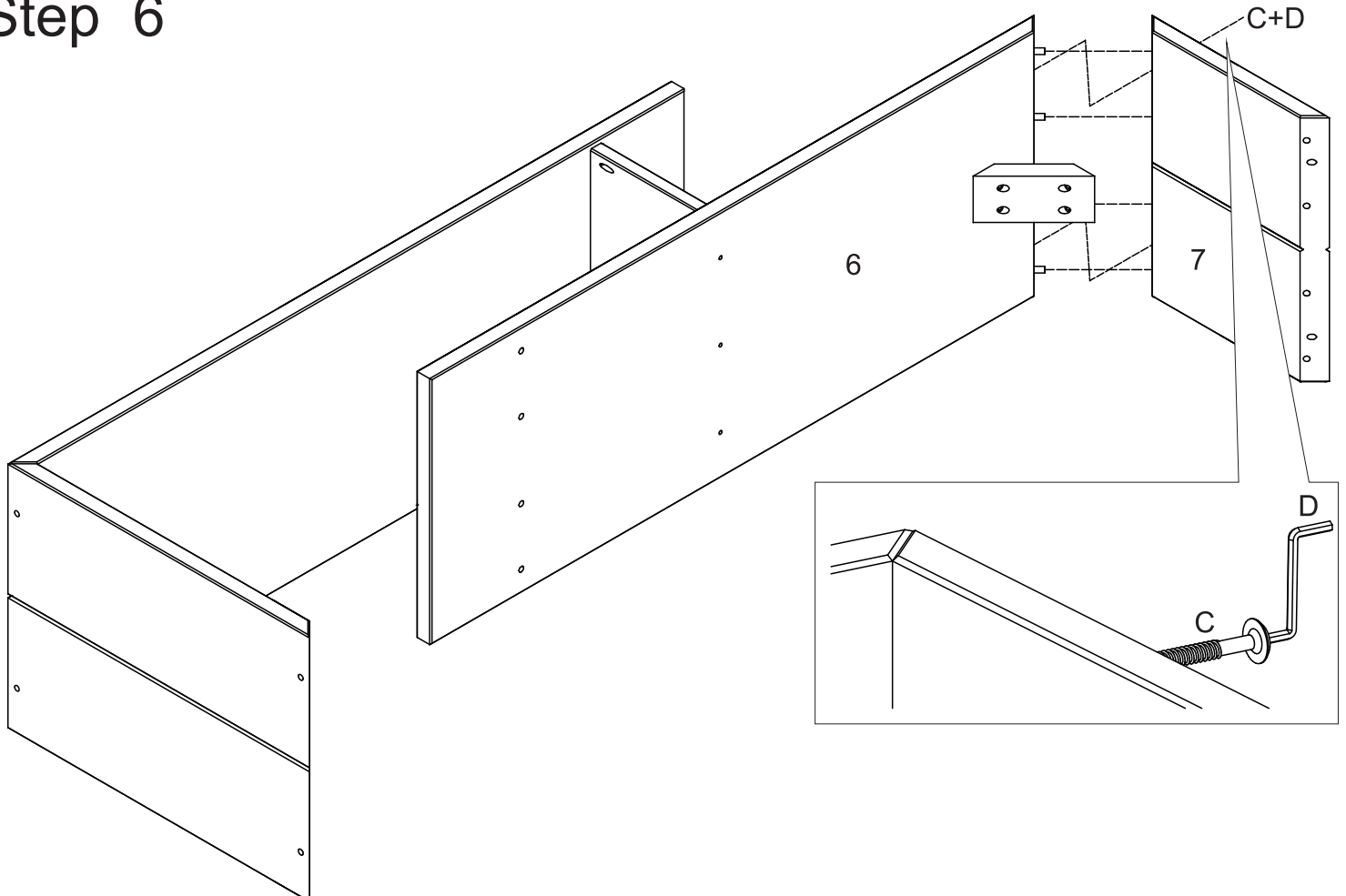
Secure part (2) to part (1) with screw (C) and hex key (D).

# Step 5



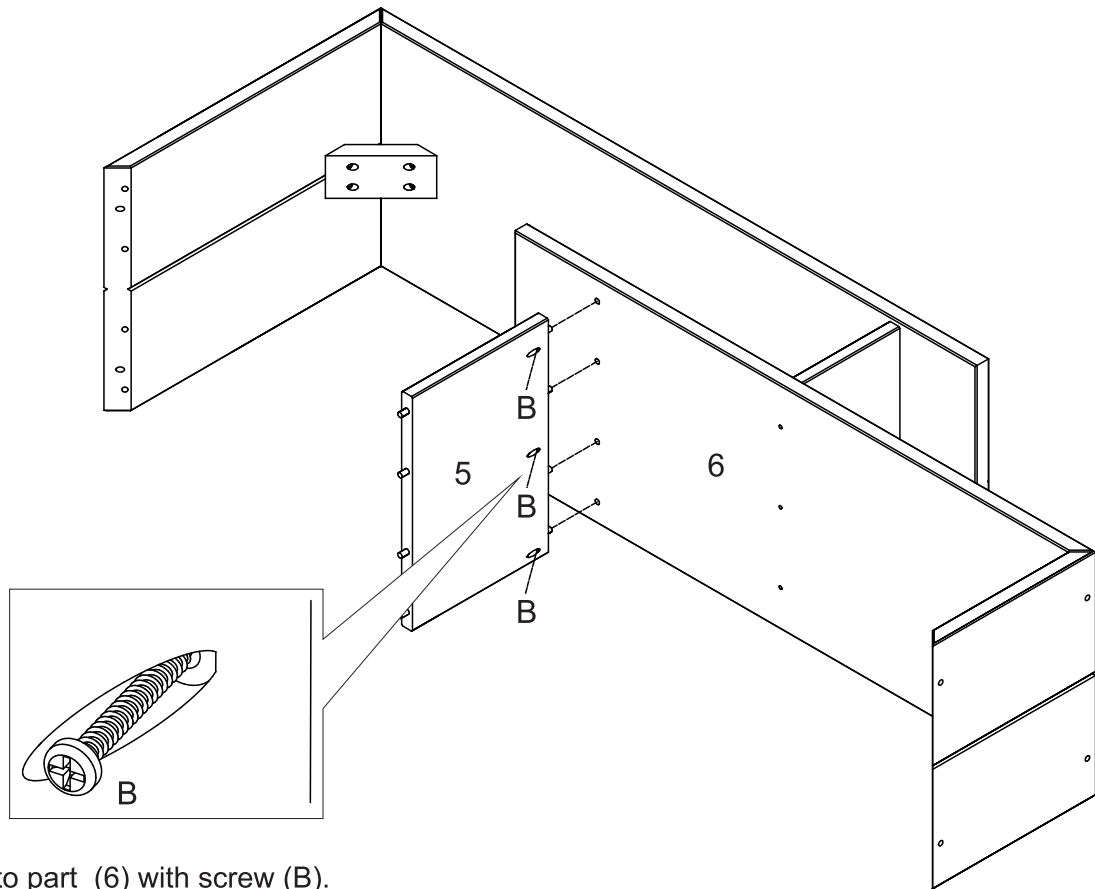
Secure part (6) to part (8) with screw (F).

# Step 6



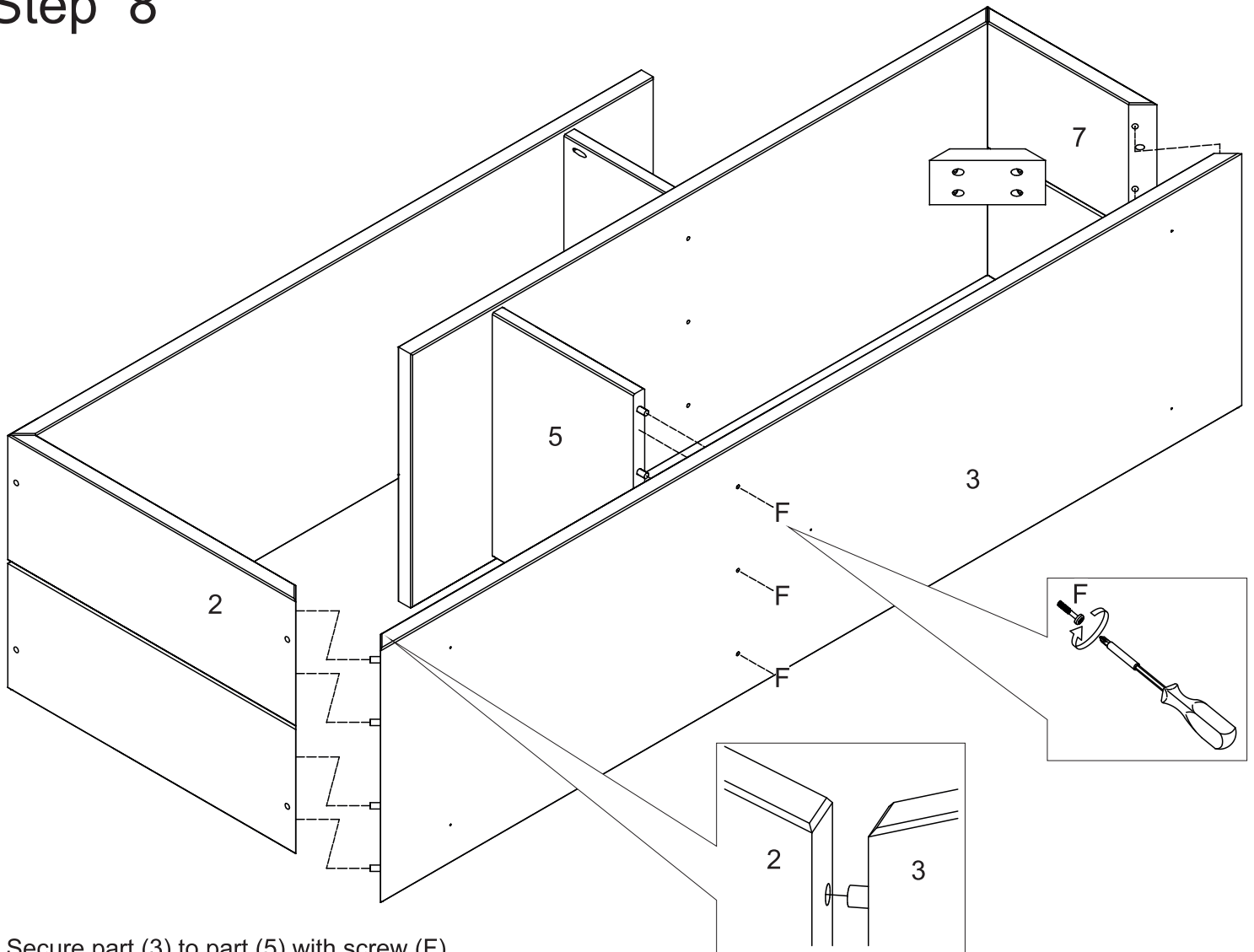
Secure part (7) to part (6) with screw (C) and hex key (D).

# Step 7



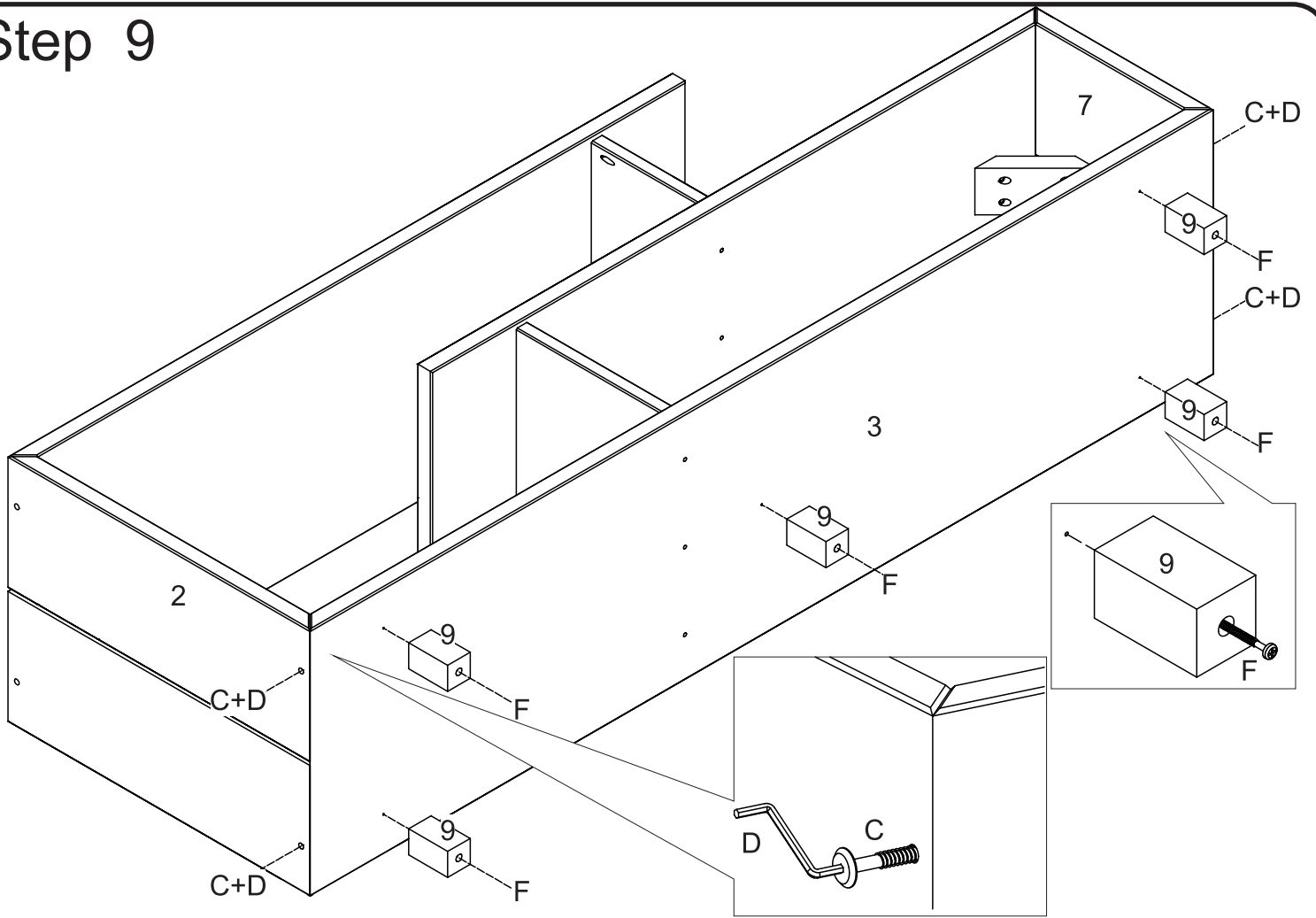
Secure part (5) to part (6) with screw (B).

# Step 8



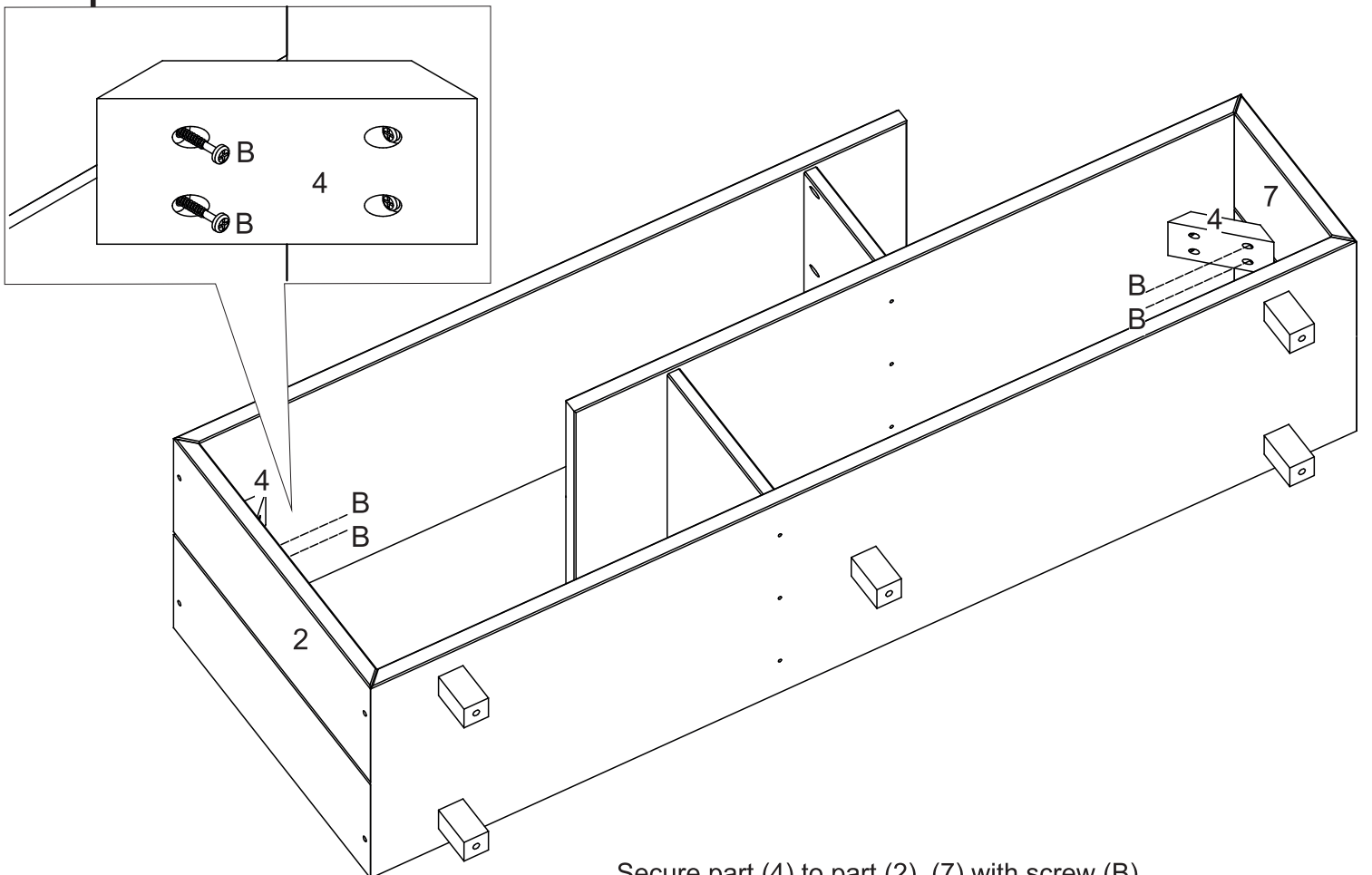
Secure part (3) to part (5) with screw (F).

# Step 9



Secure part (3) to part (2), (7) with screw (C) and hex key (D). Secure part (9) to part (3) with screw (F).

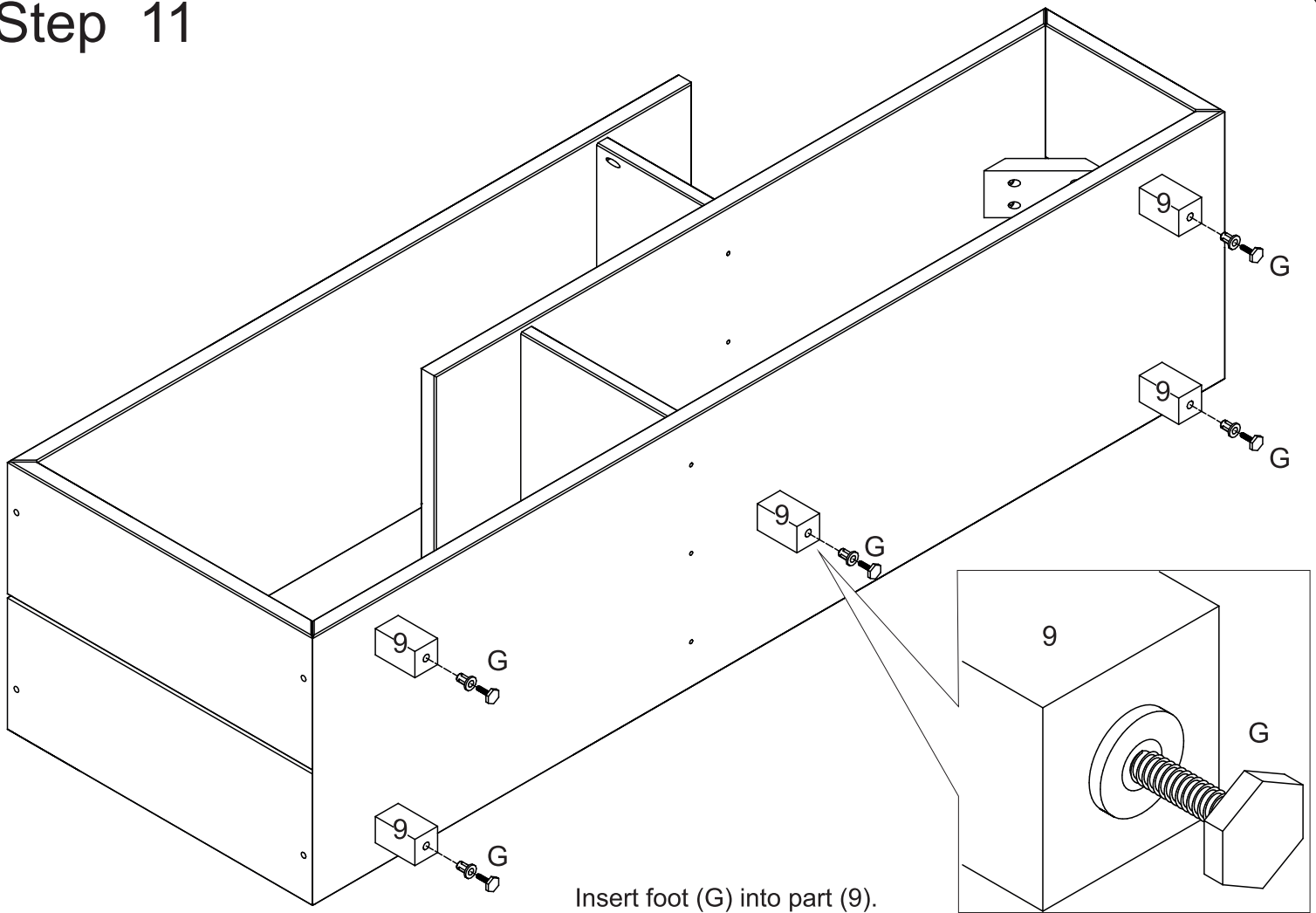
# Step 10



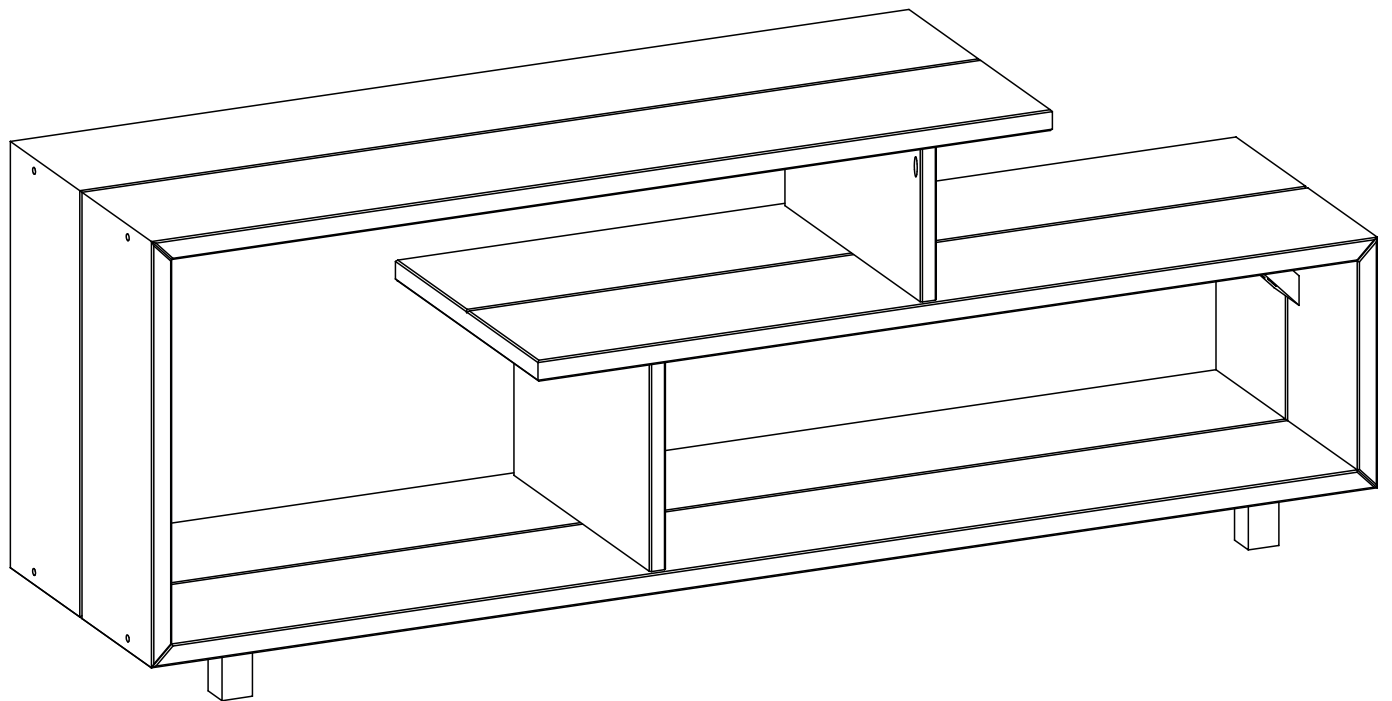
Secure part (4) to part (2), (7) with screw (B).



# Step 11



# Step 12



Final Assembly