

ASSEMBLY INSTRUCTIONS

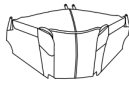


KAMARI COLLECTION

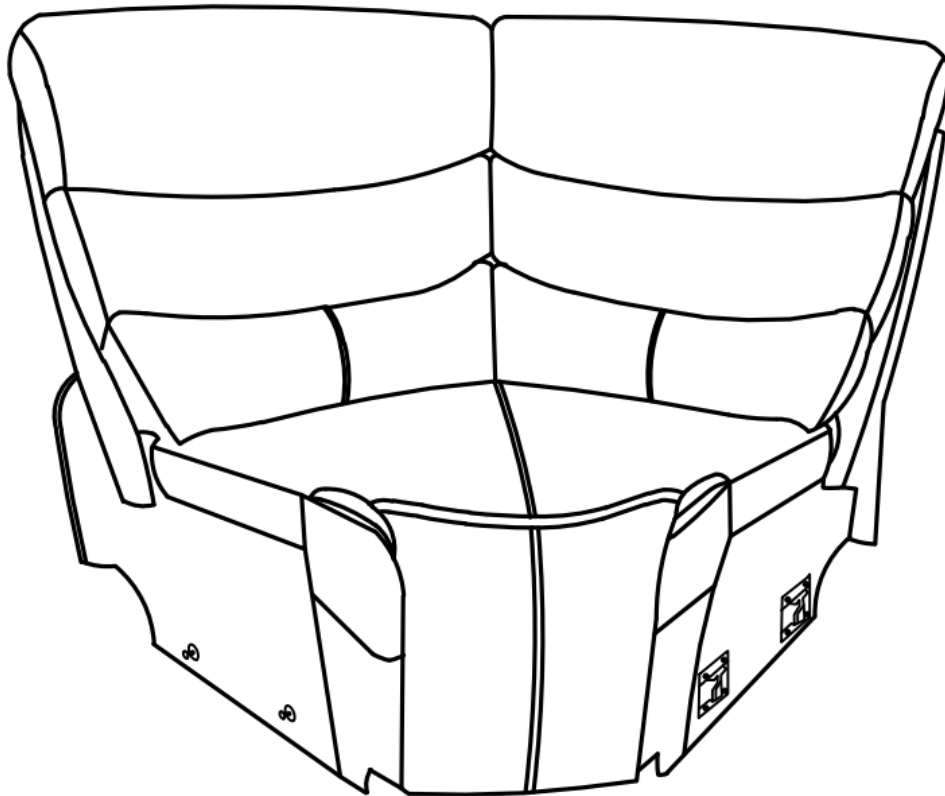
ITEM#: U092-WG

DESCRIPTION : WEDGE

Thank you for purchasing this quality product. Be sure to check all packing materials carefully for small parts, which may have come loose during shipment. Identify and count all items and compare with the parts list shown below. It is recommended to have two people during assembling and to remove the back and base of the furniture out from the box. **Please follow the drawings below to assemble the item**

Parts List

NO.	DESCRIPTION	SKETCH	Q'TY
A	Seat		1 PC
B	Left Side Facing (LSF) Backrest		1 PC
C	Right Side Facing (RSF) Backrest		1 PC



All images shown are for illustration purpose only.
Actual product may vary due to product enhancement.

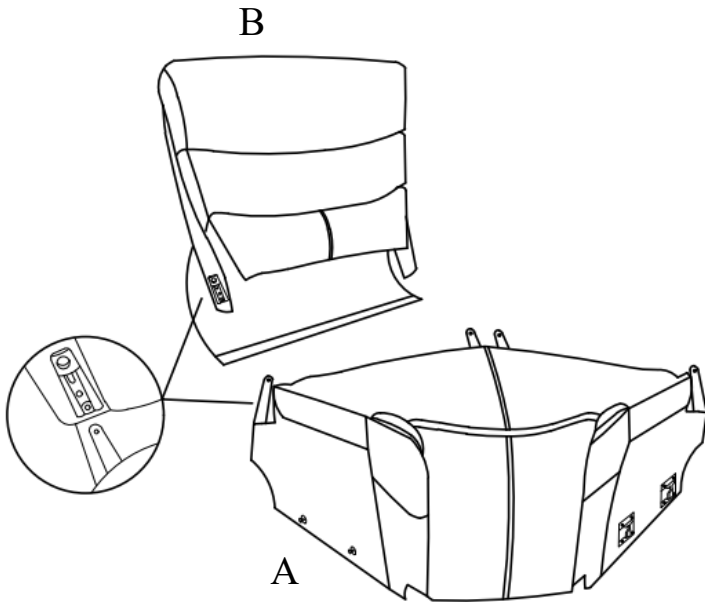
ASSEMBLY INSTRUCTIONS

KAMARI COLLECTION

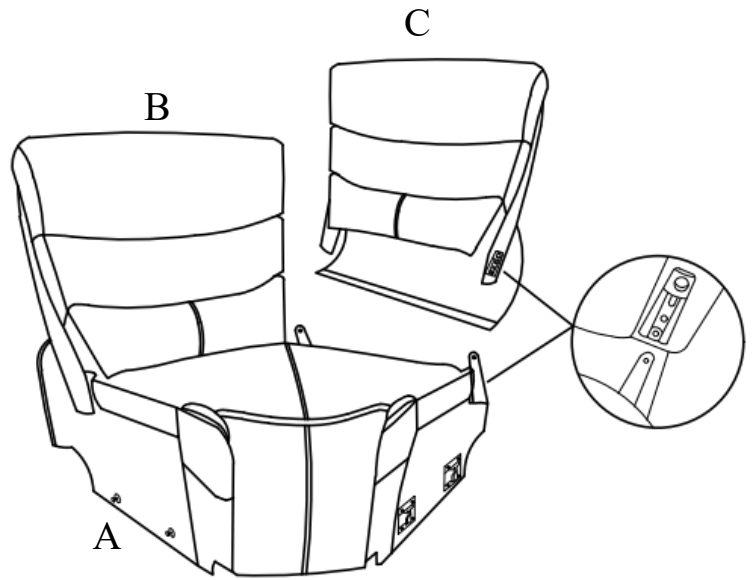
ITEM#: U092-WG

DESCRIPTION : WEDGE

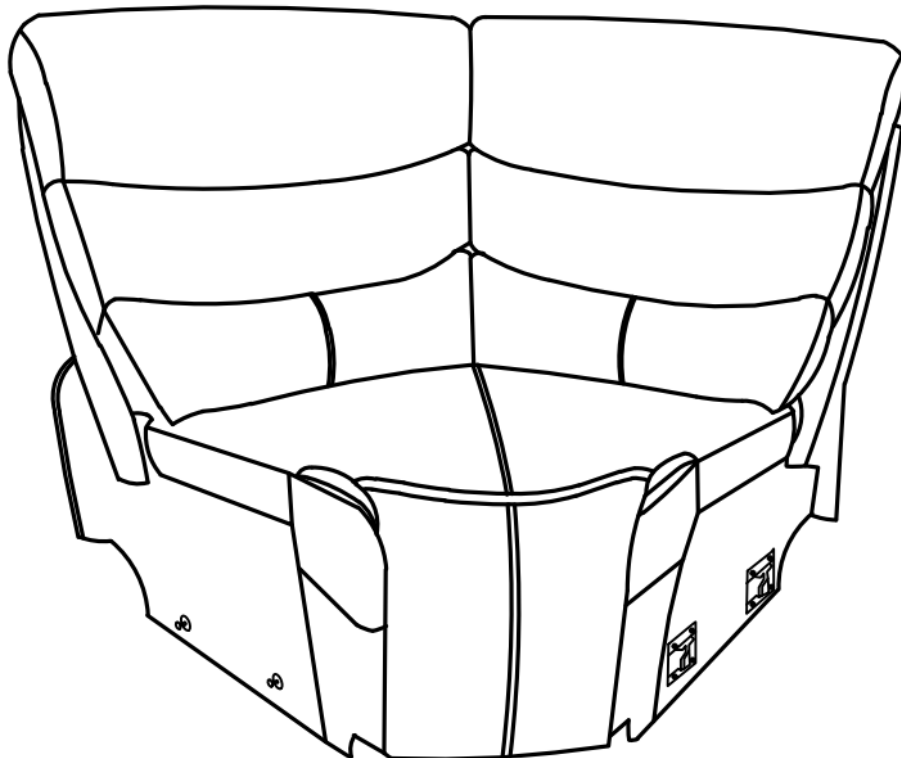
Step 1:
Attach the LSF backrest (B) to the seat (A).



Step 2:
Attach the RSF backrest (C) to the seat (A).



Step 3: Assembly Completed



All images shown are for illustration purpose only.
Actual product may vary due to product enhancement.

ASSEMBLY INSTRUCTIONS

KAMARI COLLECTION

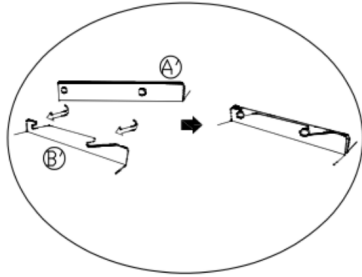
ITEM#: U092-WG

DESCRIPTION : WEDGE

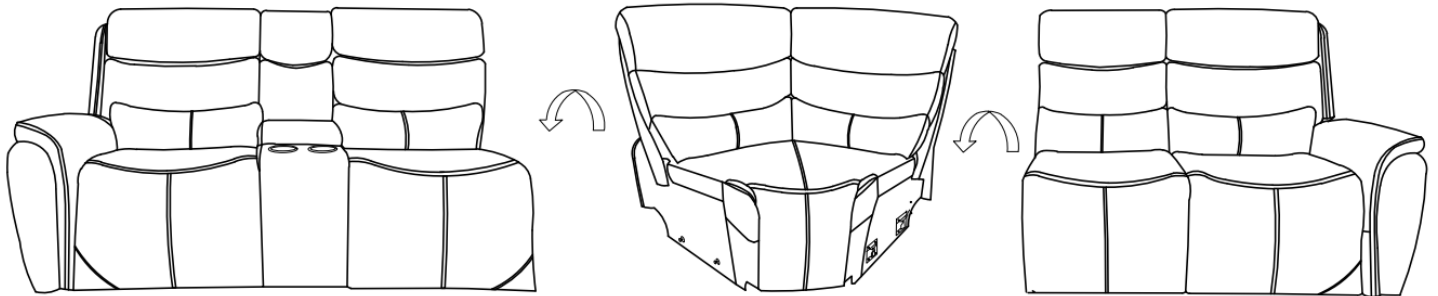
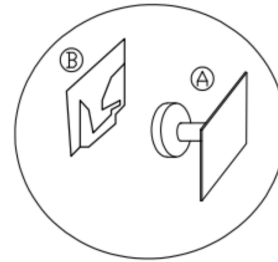
Connect the sectional pieces by connecting the metal connectors between each sectional piece. Please note there are 2 types of interlocking hardware:

1. Connect the rail pins style connector A to B
2. Connect the single pin style connector A to B

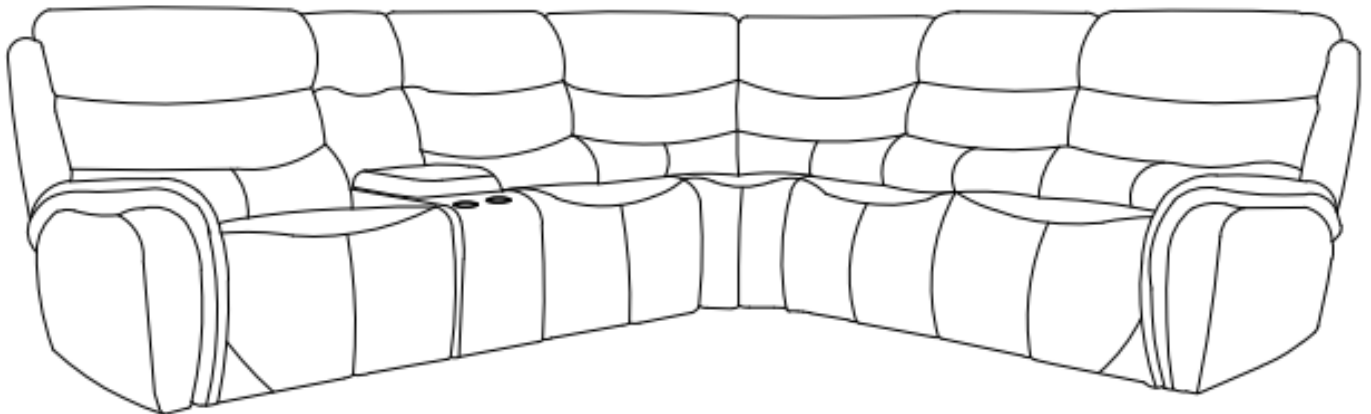
1



2



Sectional completed



All images shown are for illustration purpose only.
Actual product may vary due to product enhancement.