



# ASSEMBLY INSTRUCTION

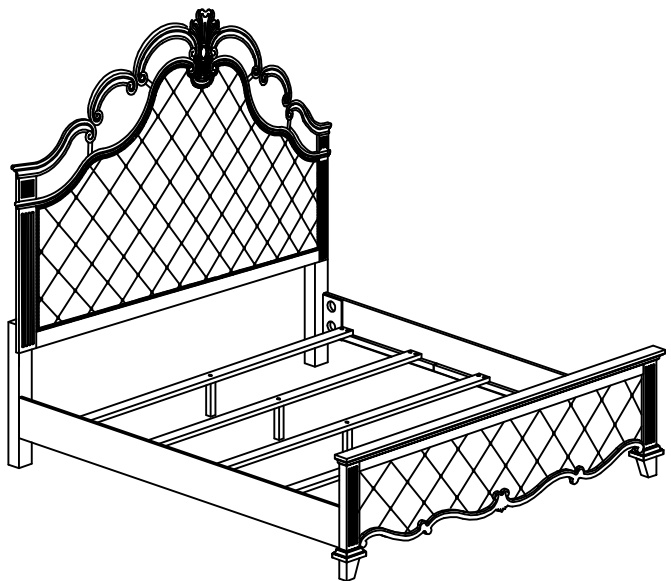
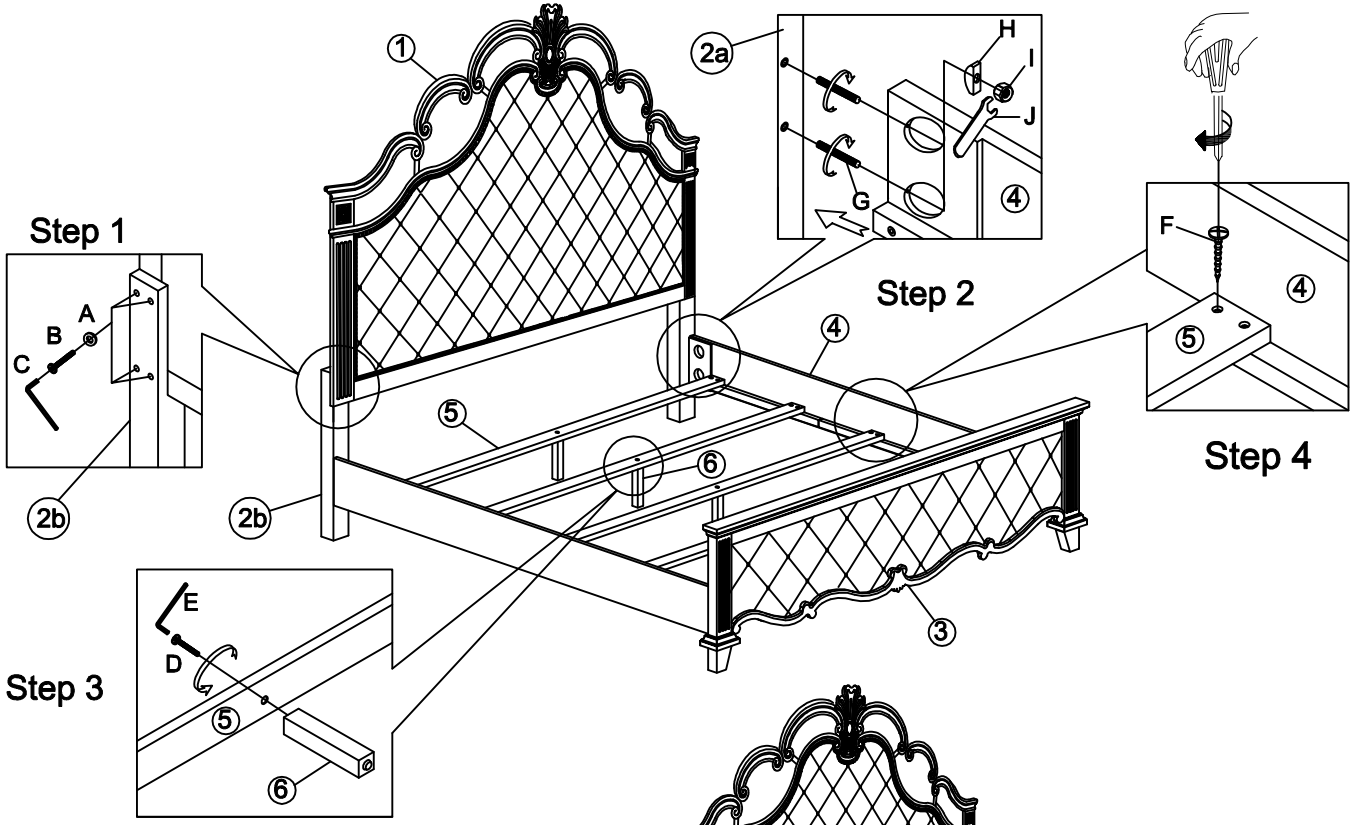
Item No.:

**1429-1 (1/3) Queen Headboard**

**1429-2 (2/3) Queen Footboard & Slats**

**1429-3 (3/3) Eastern King/Queen Side Rails**

Thank you for purchasing this quality product. Be sure to check all packing material carefully for small Hardware which may have come loose inside the carton during shipment. Identify and count all hardware and compare with the hardware list below.



## Hardware List In -1

NO.	DESCRIPTION	FIGURE	Q'TY
A	Flat washer 5/16" Dia	⊙	8PCS
B	Bolt 5/16" x 1.5"L	—	8PCS
C	Allen Key	└┘	1PC

## Hardware List In -2

NO.	DESCRIPTION	FIGURE	Q'TY
D	Bolt 1/4" x 1.25"L	—	5PCS
E	Allen Key	└┘	1PC
F	Screw Ø8*Ø4*1.25"L	—	20PCS

## Hardware List In -3

NO.	DESCRIPTION	FIGURE	Q'TY
G	Bolt 5/16" x 3"L	—	8PCS
H	Curved washer	—	8PCS
I	Bolt	—	8PCS
J	Spanner Wrench	—	1PCS

Tools Required: Please use a screwdriver for the screwdriver is not included

## Part List

NO.	DESCRIPTION	Q'TY
1	Headboard Panel	1PC
2a	Headboard Post RSF	1PC
2b	Headboard Post LSF	1PC
3	Footboard Panel	1PC
4	Rails	2PCS
5	Slats	5PCS
6	Slat support leg	5PCS