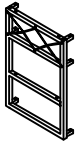
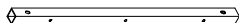

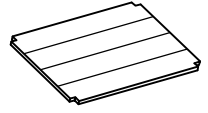
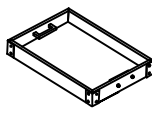

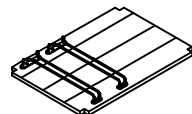






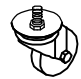
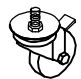
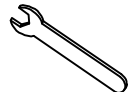
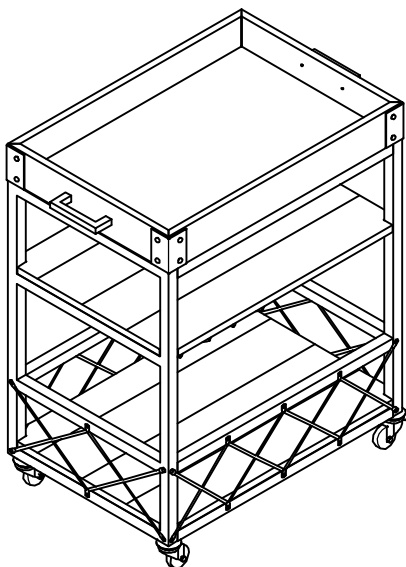


ASSEMBLY INSTRUCTION

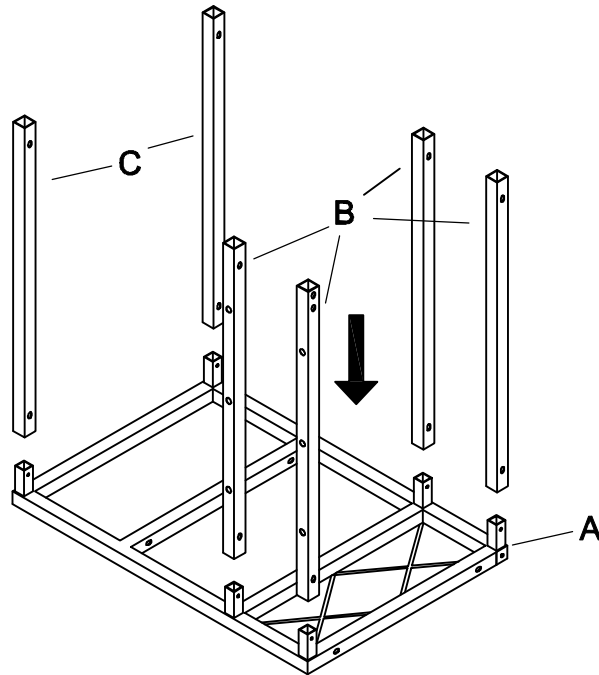
3228-07(3A) KITCHEN CART

A Side Frame  2PCS	B Lower Iron Stretcher  4PCS	C Top Iron Stretcher  2PCS	D Bottom Panel  1PC
E Top Tray  1PC	F Front Metal  2PCS	G Shelf  1PC	H Bolt-Large $\text{Ø}1/4 \times 1-1/2$ "  8PCS
I Bolt-Small $\text{Ø}1/4 \times 1/2$ "  12PCS	J Lock Washer $1/4$ "  20PCS	K Flat Wahser $1/4 \times 16$ mm  20PCS	L Allen Key 4 mm  1PC
M Screw $\text{Ø}5/32 \times 3/8$ "  20PCS	N Caster $\text{Ø}2$ "  2PCS	O Brake Caster $\text{Ø}2$ "  2PCS	P Spanner 14 mm  1PC

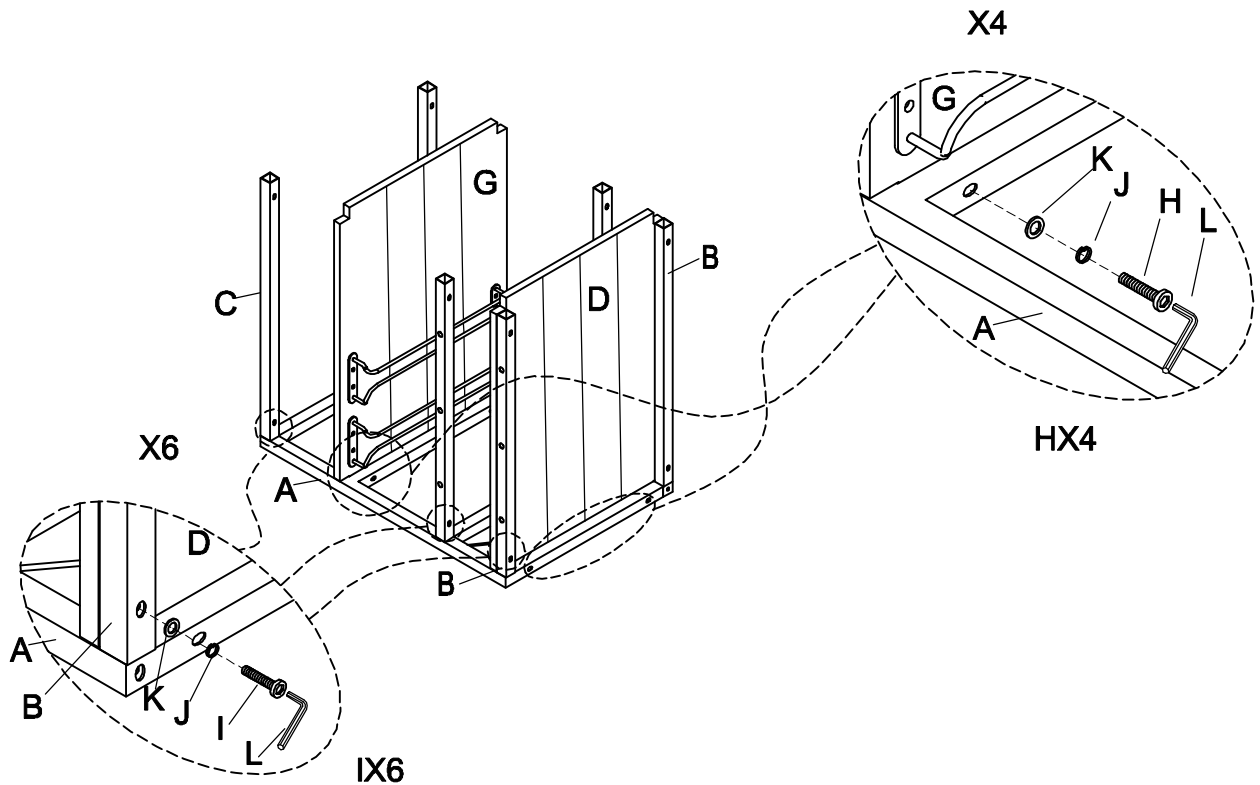


This page lists all the contents included in the box. Please take the time to identify the hardware as well as the individual components to this product. AS you unpack and prepare for assembly, place the contents on a carpeted or padded area to protect them from damage.

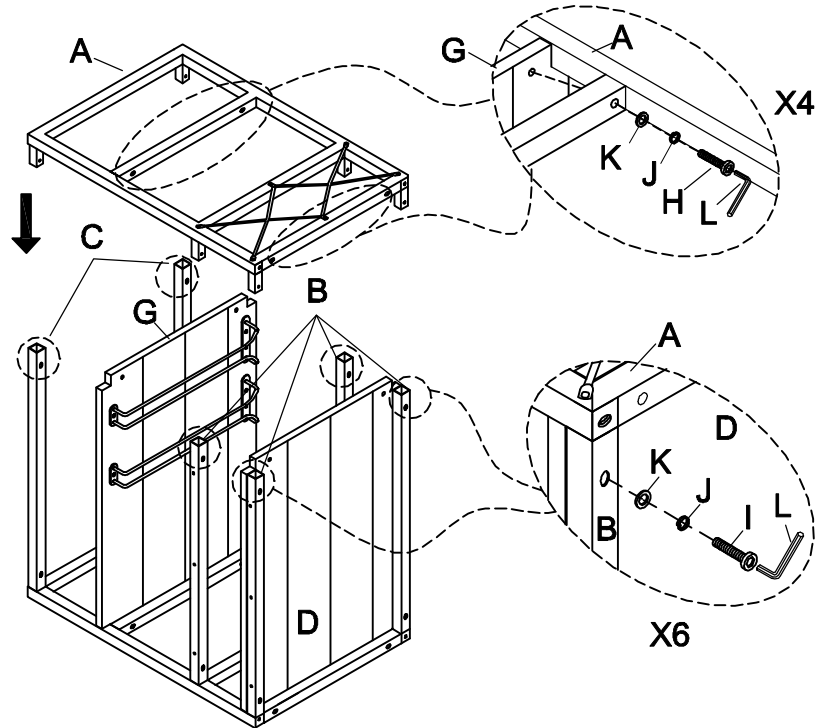
1 Attach Lower Iron Stretcher (B) and Top Iron Stretcher (C) to the Side Frame (A) as below showing.



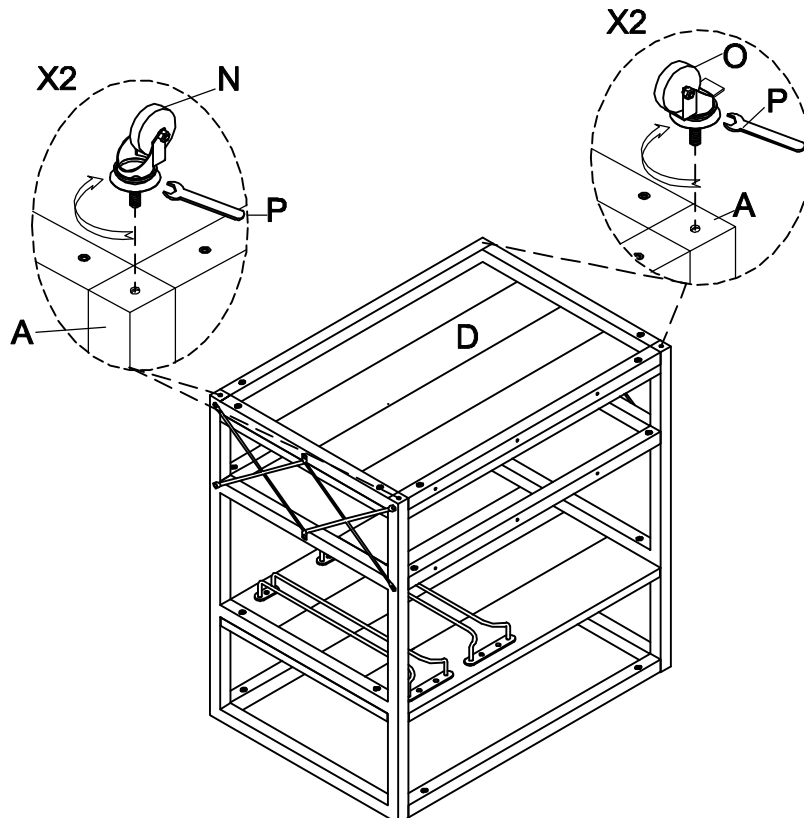
2 Attach the bottom Panel (D) and Shelf (G) to the Side Frame (A) by using Flat Washer (K), Lock Washer (J) and Bolt-Large (H) with Allen Key (L), and then Fix the Lower Iron Stretcher (B) and Top Iron Stretcher (C), by using Flat Washer (K), Lock Washer (J) and Bolt-Small (I) with Allen Key (L).



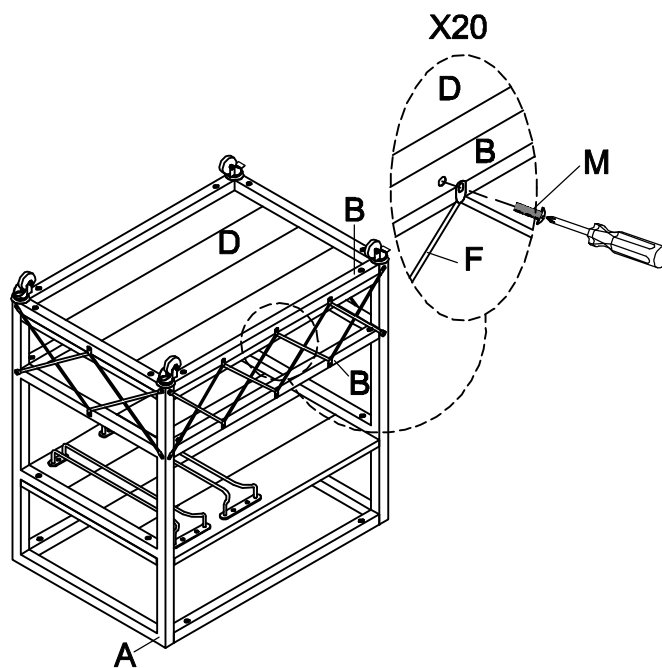
- 3** Attach the Side Frame (A) to the Lower Iron Stretcher (B) and Top Iron Stretcher (C) with Bottom Panel (D), Top Iron Stretcher (C) and Shelf (G) by using Flat Washer (K), Lock Washer (J) and Bolt-Small (I) with Allen Key (L) and Flat Washer (K), Lock Washer (J) and Bolt-Large (H) with Allen Key (L) as below showing.



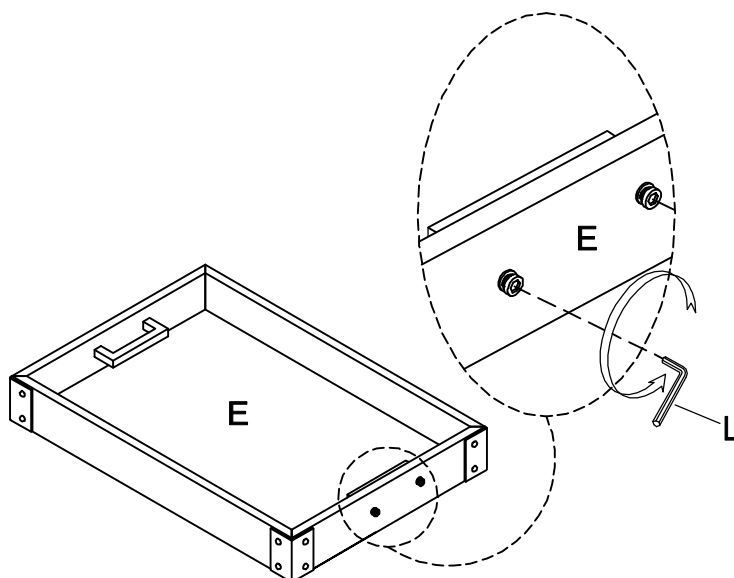
- 4** Attach the Caster (N) and Brake Caster (O) to the Side Frame (A) by using Spanner (P).



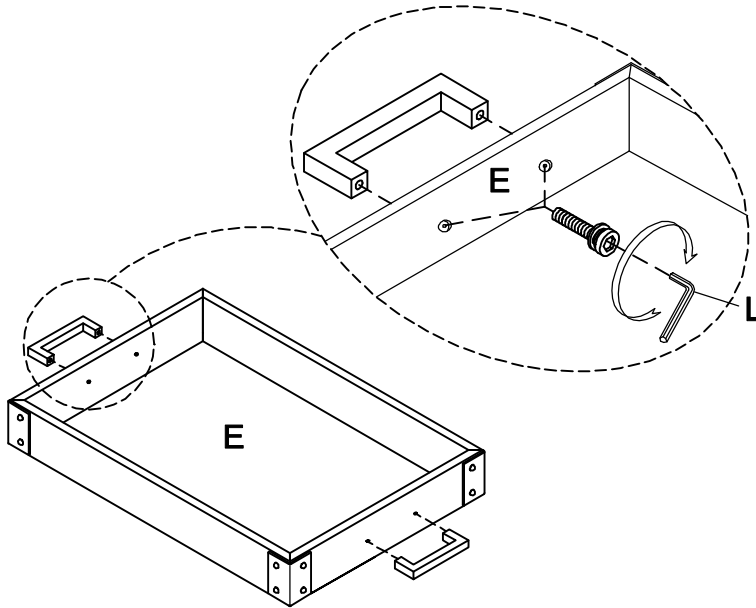
5 Attach Front Metal (F) to the Lower Iron Stretcher (B) and Side Frame (A) by using Screw (M).



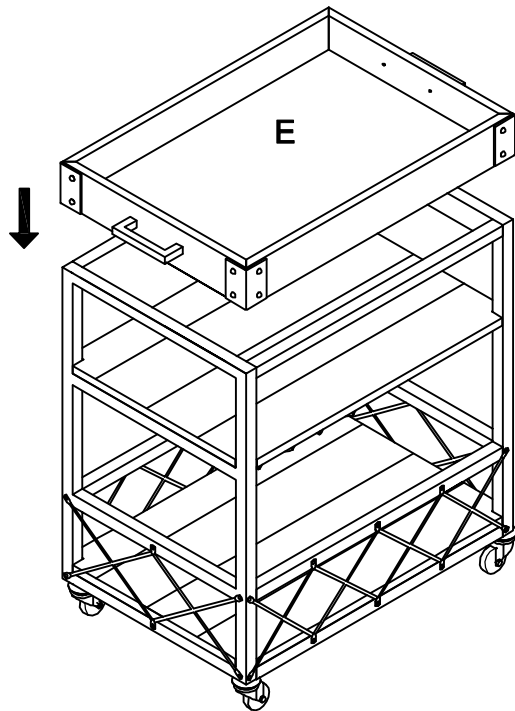
6 Remove the handle from inside of the Top Tray (E) by Allen Key (L).



7 Assemble the handle to the front panel of the Top Tray (E) by Allen Key (L).



8 Attach the Top Tray (E) to the assembled cart.



Cleaning & Care

Treat surface with care. Surface is resistant to scratches but is not scratch resistant. Clean surfaces with a dry or damp soft cloth. Do not use abrasive cleaners. Hardware may loosen over time. Periodically check that all connections are tight.