





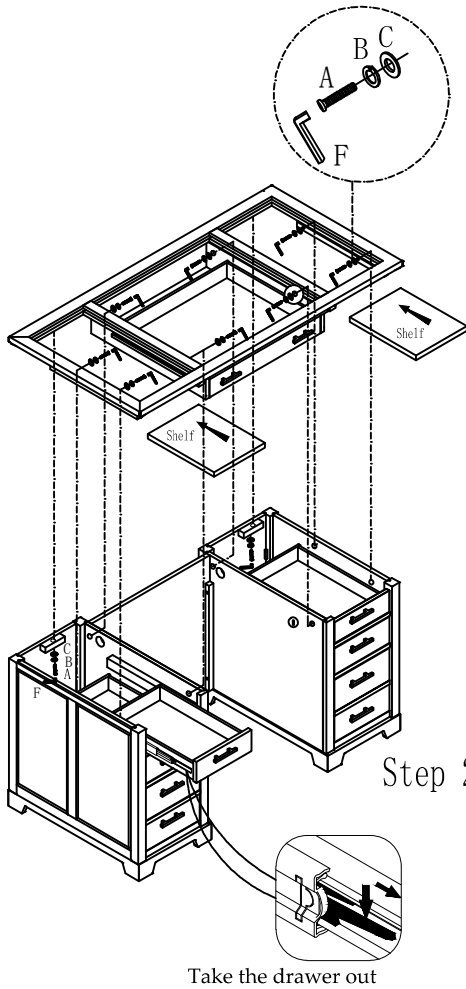
HEKMAN

ASSEMBLY INSTRUCTIONS

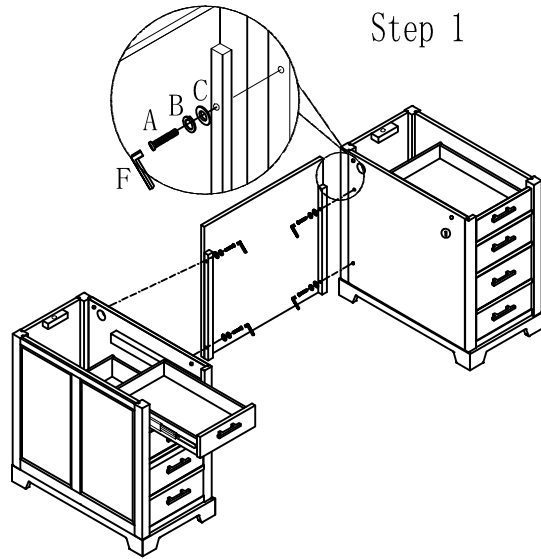
79190-Executive Desk

A HOWARD MILLER COMPANY

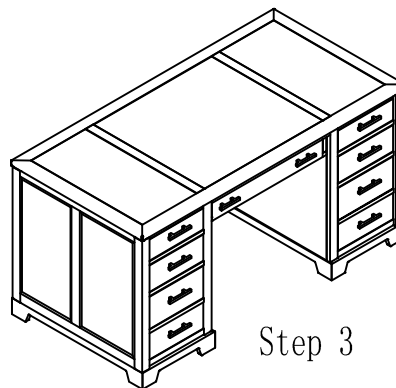
A		5/16 * 1-1/2"	14Pcs
B		5/16	14Pcs
C		5/16*19	14Pcs
F		5mm*80mm	1Pc
G		Key	4Pcs



Step 2



Step 1



Step 3

Step 1: Remove the upper drawer in both pedestals

Step 2: Assemble the left and right bases and the center panel with Bolt (A), Lock Washer (B) and Washer (C) using wrench(F).

Step 3: Place the top assembly on the bases with Bolt A, Lock Washer(B) and Washer(C) using wrench (F)

Step 4: Close the drawers after assembling.

MADE IN VIETNAM