



Shower Arm and Flange 300

Specification Submittal

Model Numbers

- 300** Shower arm and flange

Feature Highlights

- Shower arm with heavy flange
- 8" length
- Silicone caulk to be used between wall and flange when mated to an uneven surface
- Polished chrome finish (standard)

Finish Options

Append appropriate -suffix to model number.

- BBZ** Brushed Bronze finish
- MB** Matte Black finish
- STN** Satin Nickel finish
- PNL** Polished Nickel finish
- Polished Chrome finish (standard)

Standards / Certifications

-ASME A112.18.1/CSA B125.1



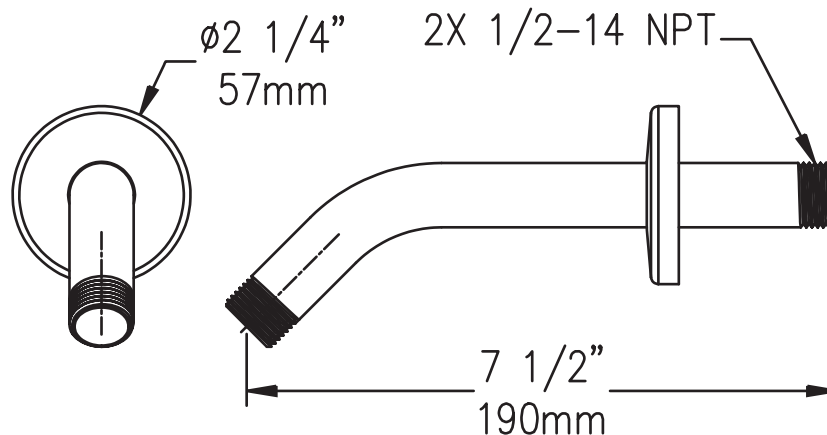
Warranty

Limited Lifetime - to the original end purchaser in consumer/residential installations.

10 Years - for commercial/industrial installations. Refer to www.symmons.com/warranty for complete warranty information.



Dimensions Shower Arm and Flange, 300



Note: Dimensions subject to change without notice.