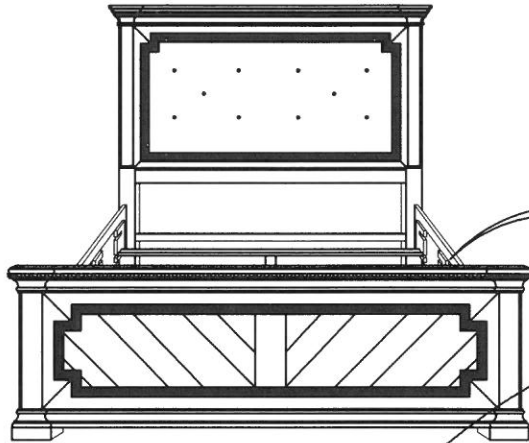


# HEKMAN®

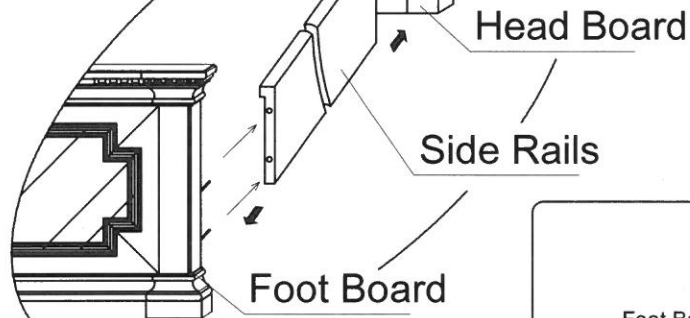
X A HOWARD MILLER COMPANY  
Grand Rapids, Michigan

## ASSEMBLY INSTRUCTION

### #19271 KING UPHOLSTERED PANEL BED



| No. | PARTS | DESCRIPTION    | QTY    |
|-----|-------|----------------|--------|
| 1   |       | HANGER BOLT    | 8 Pcs  |
| 2   |       | FLAT WASHER    | 8 Pcs  |
| 3   |       | NUT            | 8 Pcs  |
| 4   |       | WRENCH         | 1 Pc   |
| 5   |       | JCBC 6x40      | 8 Pcs  |
| 6   |       | ALLEN KEY      | 1 Pc   |
| 7   |       | FLAT WASHER    | 8 Pcs  |
| 8   |       | SCREW          | 8 Pcs  |
| 9   |       | HEADBOARD      | 1 Unit |
| 10  |       | FOOTBOARD      | 1 Unit |
| 11  |       | SIDE RAIL      | 2 Unit |
| 12  |       | WOODEN SLAT    | 4 Pcs  |
| 13  |       | CENTER SUPPORT | 8 Pcs  |



DETAIL :

