



# Barrington™ | K-3652

Two-piece elongated toilet, 1.0 gpf

## Features

- Elongated bowl offers added room and comfort
- Equipped with Sloan FLUSHMATE® – Sloan® Valve Company
- Polished Chrome trip lever
- Rear outlet
- 4" (102 mm) rough-in
- 1.0 gpf (3.8 lpf)



## Sustainability



## Available Colors/Finishes

*Color tiles intended for reference only.*

- 0 White
- 96 Biscuit
- 7 Black Black



1-800-4KOHLER (1-800-456-4537)  
Kohler Co. reserves the right to make revisions without notice to product specifications.  
For the most current specification sheet, go to [www.kohler.com](http://www.kohler.com) USA or [www.kohler.ca](http://www.kohler.ca) Canada.  
4-15-2026 8:2 - US-CA

THE BOLD LOOK  
OF **KOHLER**

## Codes/Standards

*Accessibility standards may require controls to be located on the open side of the toilet.*

*Plumbing codes may require elongated toilets and elongated, open-front seats in public bathrooms.*

*This product should be used with a WaterSense labeled counterpart with the same rated flush volume to ensure the complete system meets the requirements of this specification for water efficiency and performance.*



ASME A112.19.2/CSA B45.1  
DOE - Energy Policy Act 1992  
EPA WaterSense®  
California Energy Commission (CEC)

## Technical Information

Installation Type:	Floor-mount
Rough-in:	4"
Flush Type:	Pressure Lite
Flush Rate:	1.0 gpf (3.8 lpf)
Bowl Shape:	Elongated
Seat-Mounting Holes:	5-1/2" (140 mm)
Waste Outlet:	Wall
Trapway Size:	2-1/4" (57 mm)
Trapway Type:	Exposed
Water Surface Size:	12" x 10" (305 mm x 254 mm)
Rim to Water Surface:	7" (178 mm)

## Material

- Vitreous china

## Included Combo Skus

- K-4327 Elongated toilet bowl
- K-4484 Toilet tank, 1.0 gpf

## Recommended Products/Accessories

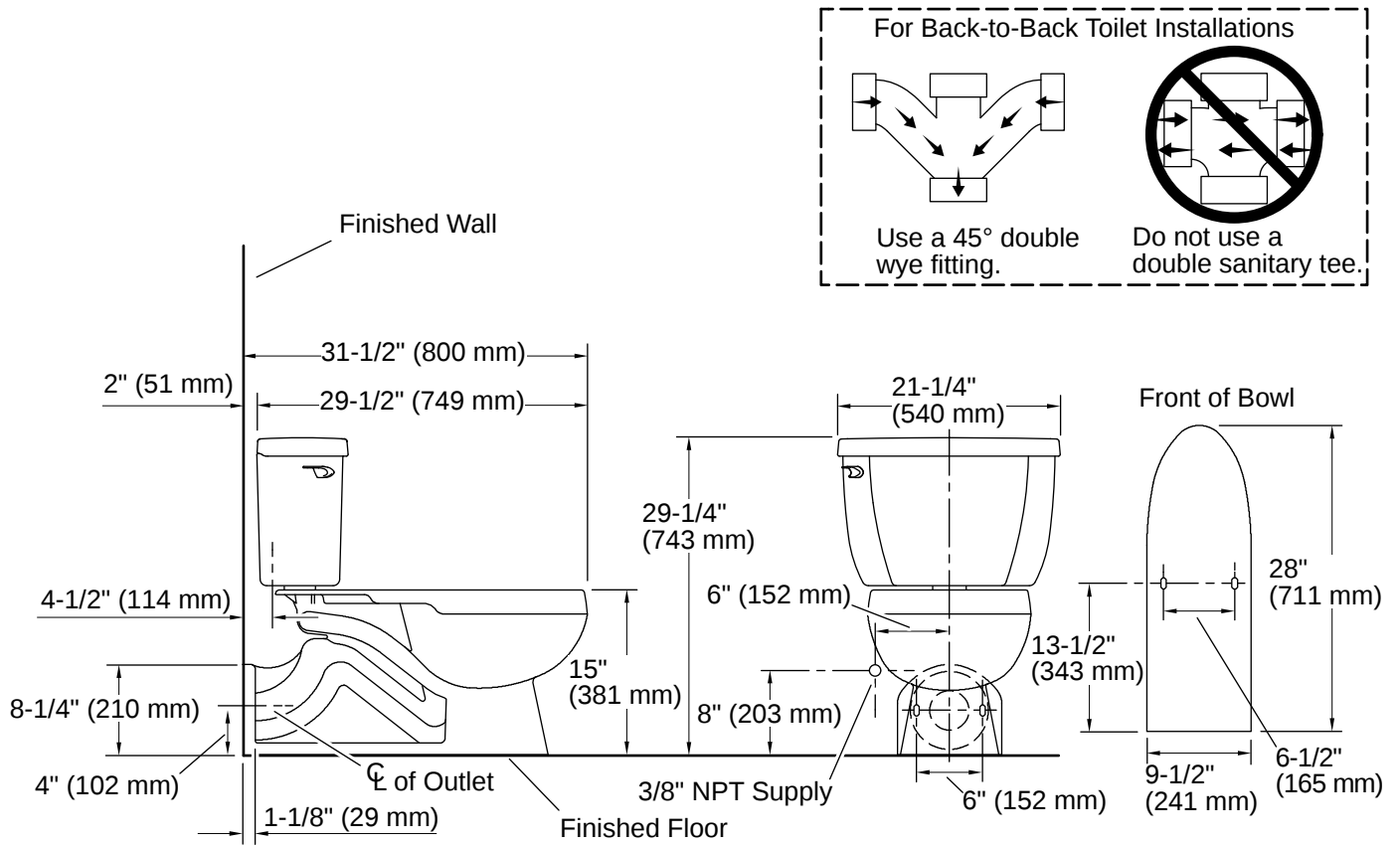
- K-5588 Deodorizing elongated toilet seat
- K-5420 Low-profile toilet bolt caps
- K-4108 Elongated bidet toilet seat with remote control

## Warranty

See website for detailed warranty information.

KOHLER® One-Year Limited Warranty





Installation

- Seat and supply line sold separately

Installation Notes

Install this product according to the installation instructions.

For back-to-back toilet installations: Use only a 45° double wye fitting.

Product dimensions are nominal and may vary per ASME A112.19.2 tolerances.

