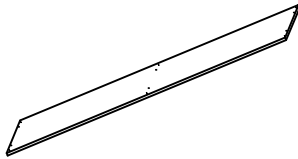
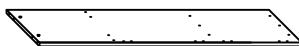
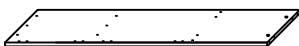

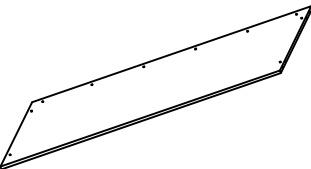
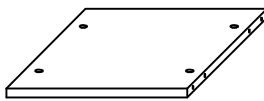
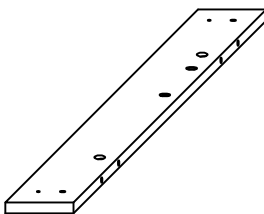
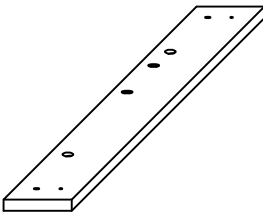
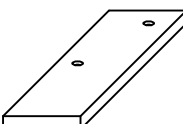
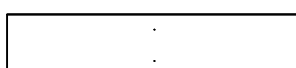
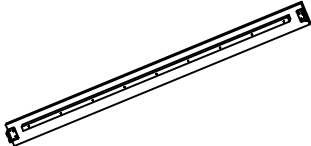
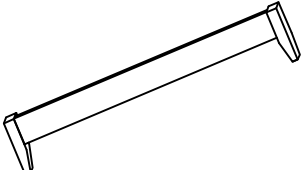

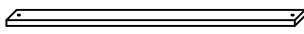
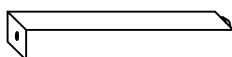
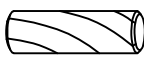


ASSEMBLY INSTRUCTION

QUEEN STORAGE BED WITH 1 USB OUTLET

A Headboard Top Panel 	B Headboard Left Side Panel 	C Headboard Right Side Panel 	D Headboard Middle Panel 
1pc E Headboard Front Panel 	1pc F Headboard Center Panel 	1pc G Headboard Bottom Left Side Panel 	1pc H Headboard Bottom Right Side Panel 
1pc I Headboard Leg Support Panel 	1pc J Headboard Back Panel 	1pc K Side Rail 	1pc L Footboard 
4pcs M Slat 	1pc N Slat Support Rail 	2pcs O Center Support Leg 	1pc P Wood Dowel M8 x 30mm 
2sets (6pcs per set)	2pcs	4pcs	36pcs

Q Minifix Cam Bolt
7mm x 24mm



34pcs

R Minifix Cam Lock
15mm x 9.5mm



34pcs

S Usb Port



1pc

T Pan Head Screw
M3.5 x 16mm



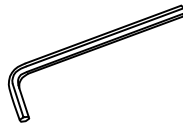
26pcs

U JCBC Screw
M6 x 50mm



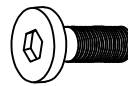
4pcs

V Allen Key
M4 x 65mm



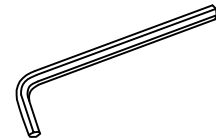
1pc

W JCBC Screw
M8 x 16mm



8pcs

X Allen Key
M5 x 65mm

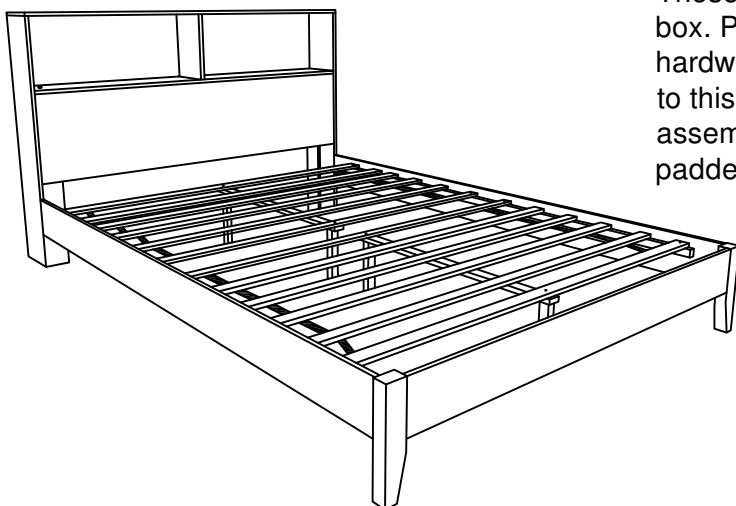


1pc

Y Csk Screw
M4 x 32mm



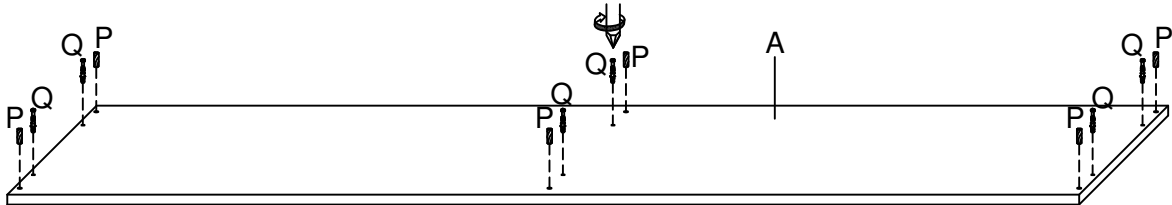
8pcs



These pages list all the contents included in the box. Please take the time to identify the hardware as well as the individual components to this product. As you unpack and prepare for assembly, place the contents on a carpeted or padded area to protect them from damage.

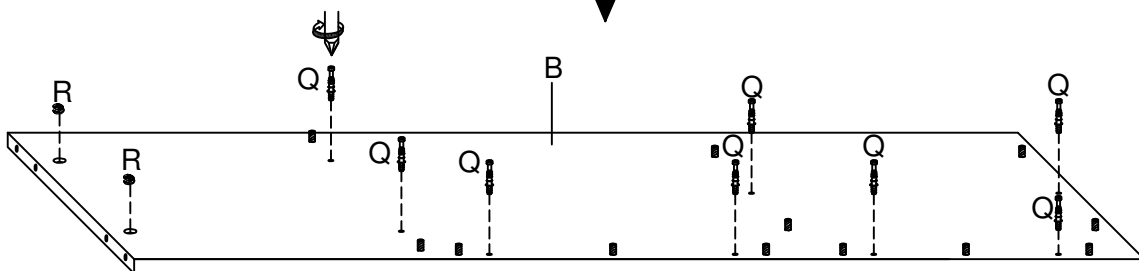
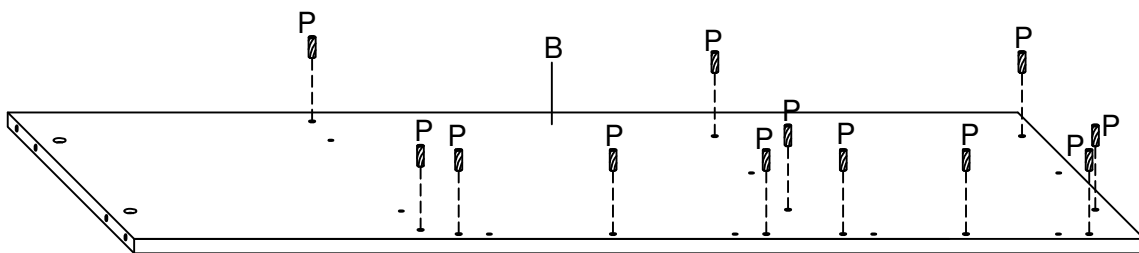
1

Insert Wood Dowel (P) and Minifix Cam Bolt (Q) to the Headboard Top Panel (A) with screwdriver (not provided).

**2**

Insert Wood Dowel (P), Minifix Cam Bolt (Q) and Minifix Cam Lock (R) to the Headboard Left Side Panel (B) with screwdriver (not provided).

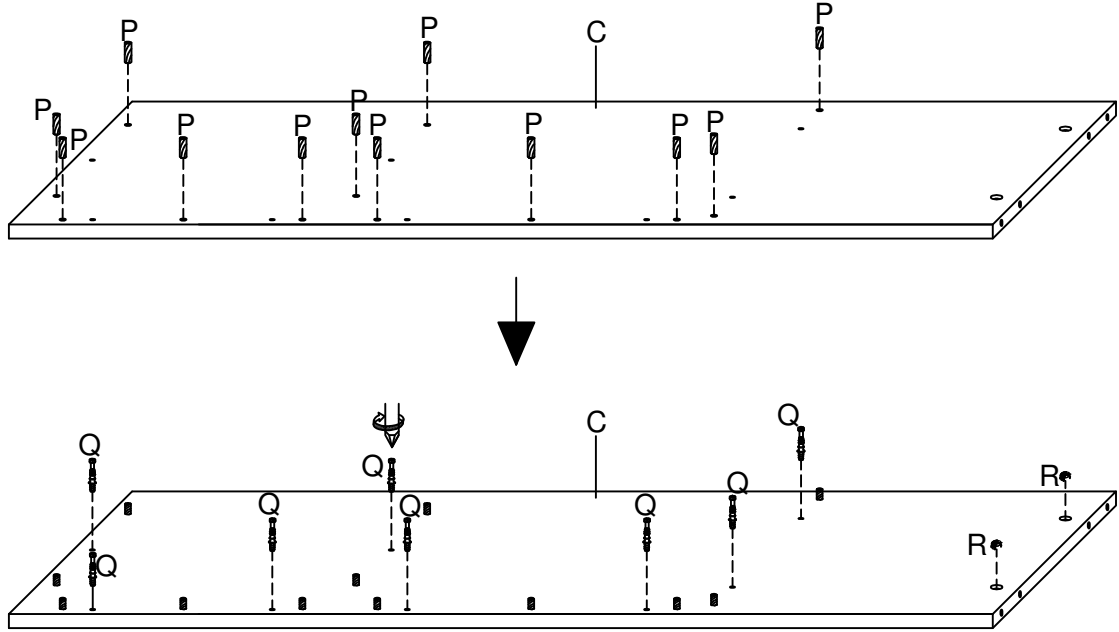
NOTE : - Make sure arrows on each Cam Lock (R) points towards nearest edge with holes.



3

Insert Wood Dowel (P), Minifix Cam Bolt (Q) and Minifix Cam Lock (R) to the Headboard Right Side Panel (C) with screwdriver (not provided).

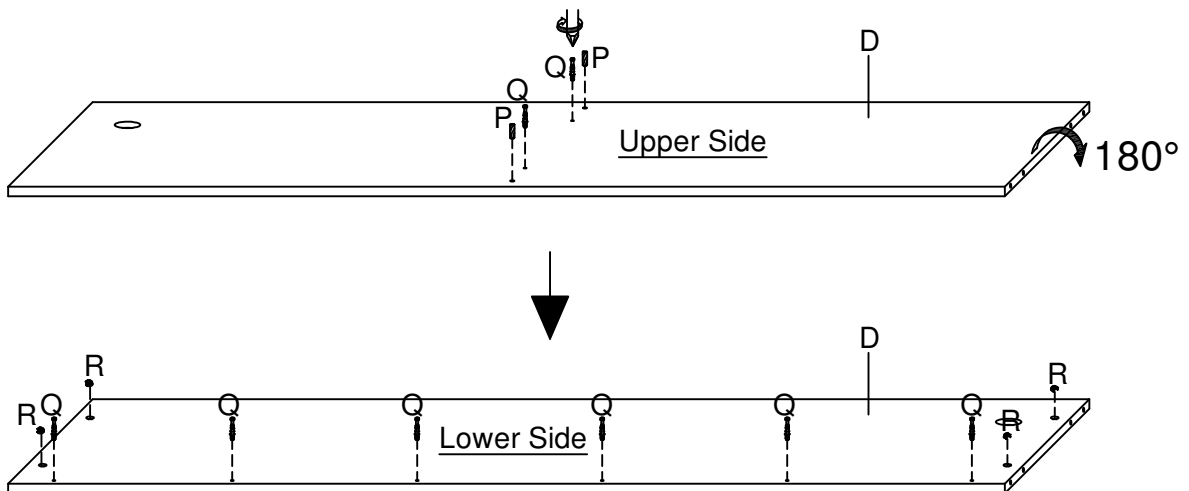
NOTE : - Make sure arrows on each Cam Lock (R) points towards nearest edge with holes.



4

Insert Wood Dowel (P), Minifix Cam Bolt (Q) and Minifix Cam Lock (R) to the Headboard Middle Panel (D) with screwdriver (not provided).

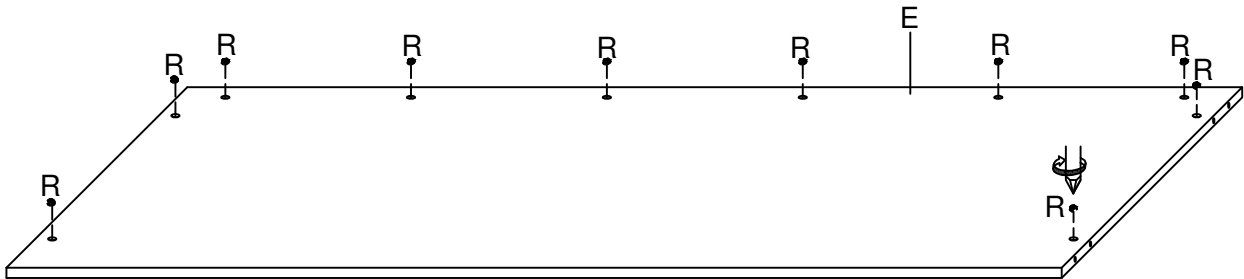
NOTE : - Make sure arrows on each Cam Lock (R) points towards nearest edge with holes.



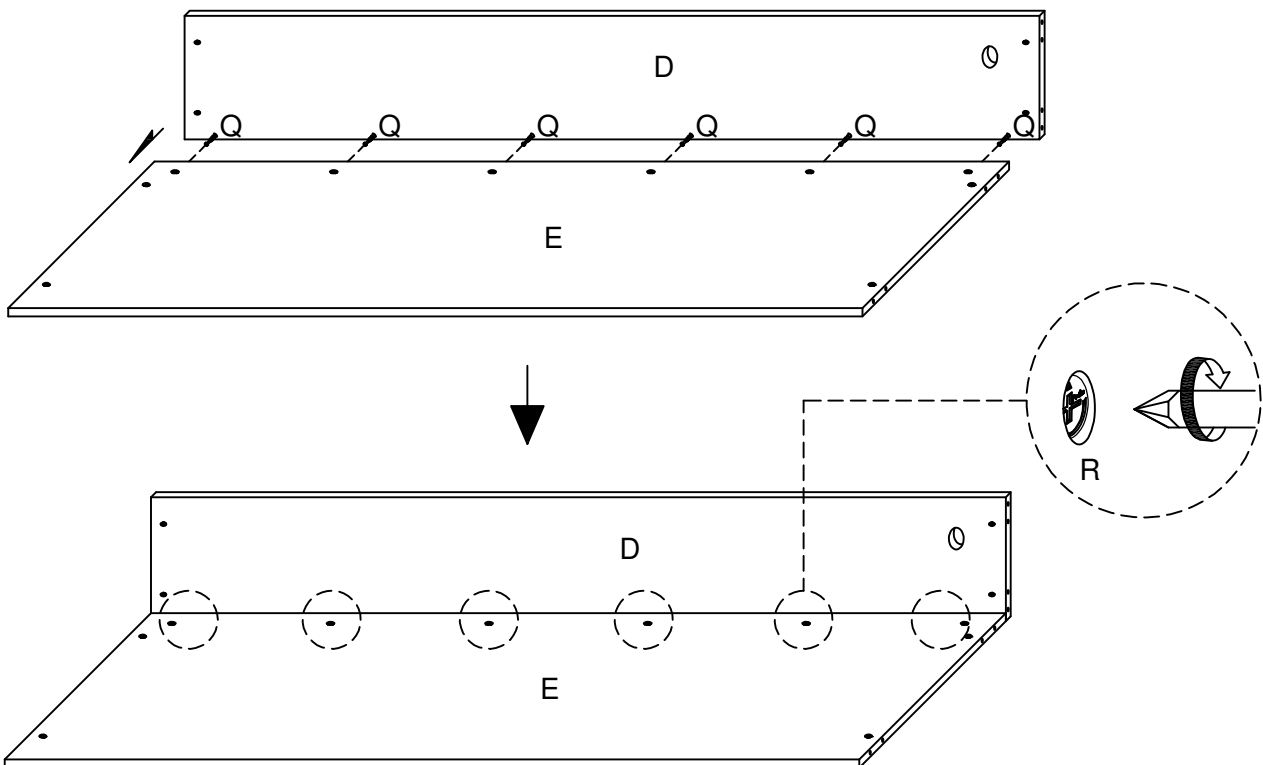
5

Insert Minifix Cam Lock (R) to the Headboard Front Panel (E) with screwdriver (not provided).

NOTE : - Make sure arrows on each Cam Lock (R) points towards nearest edge with holes.

**6**

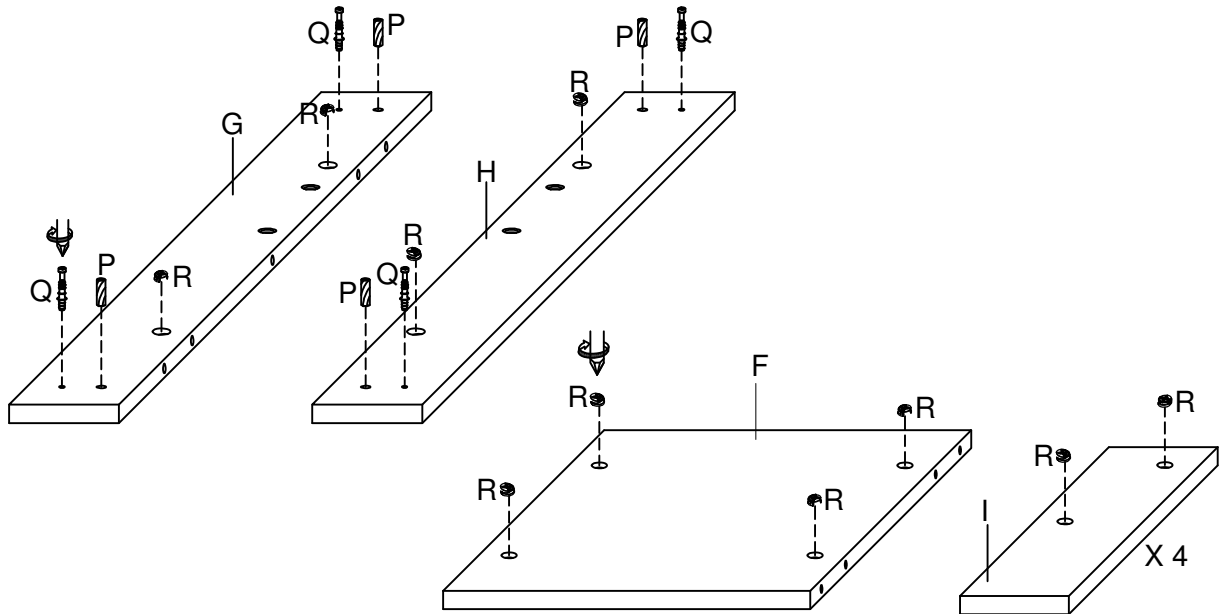
Attach Headboard Middle Panel (D) to the Headboard Front Panel (E) then tighten the Minifix Cam Lock (R) with screwdriver (not provided).



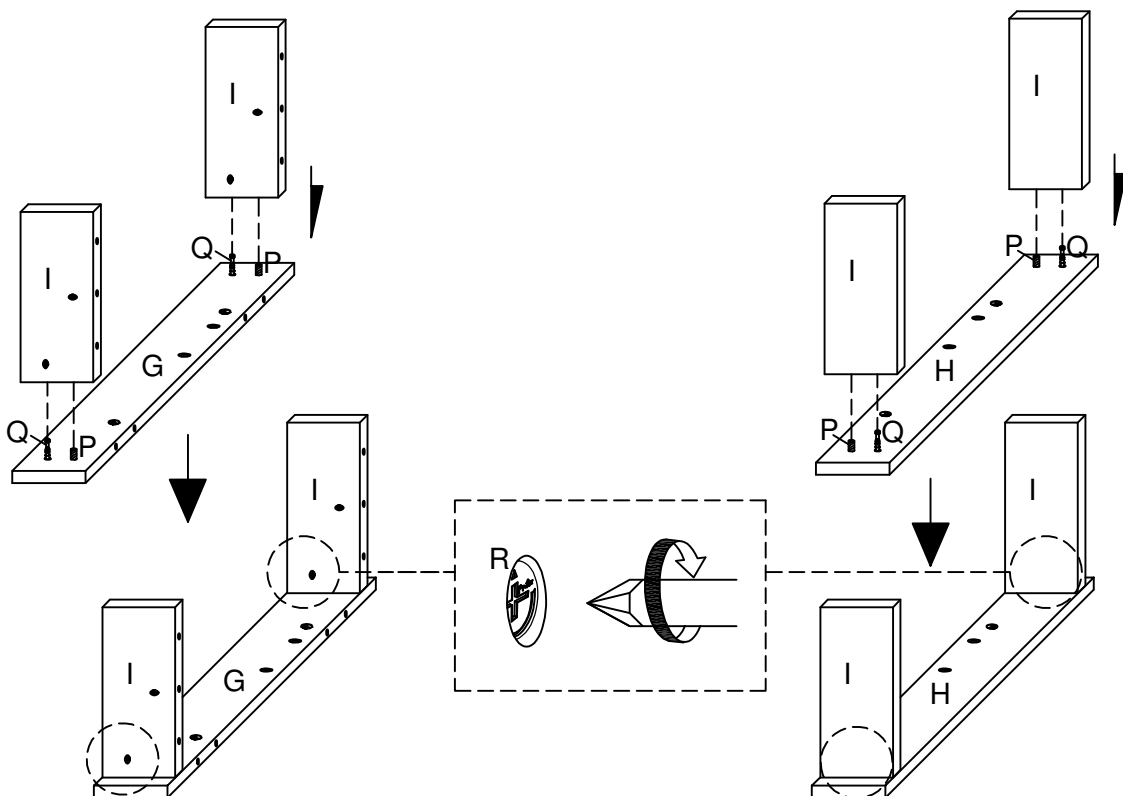
7

- i) Insert Wood Dowel (P), Minifix Cam Bolt (Q) and Minifix Cam Lock (R) to the Headboard Bottom Left & Right Side Panel (G & H).
- ii) Insert Minifix Cam Lock (R) to the Headboard Center Panel (F) and Headboard Leg Support Panel (I) with screwdriver (not provided).

NOTE : - Make sure arrows on each Cam Lock (R) points towards nearest edge with holes.

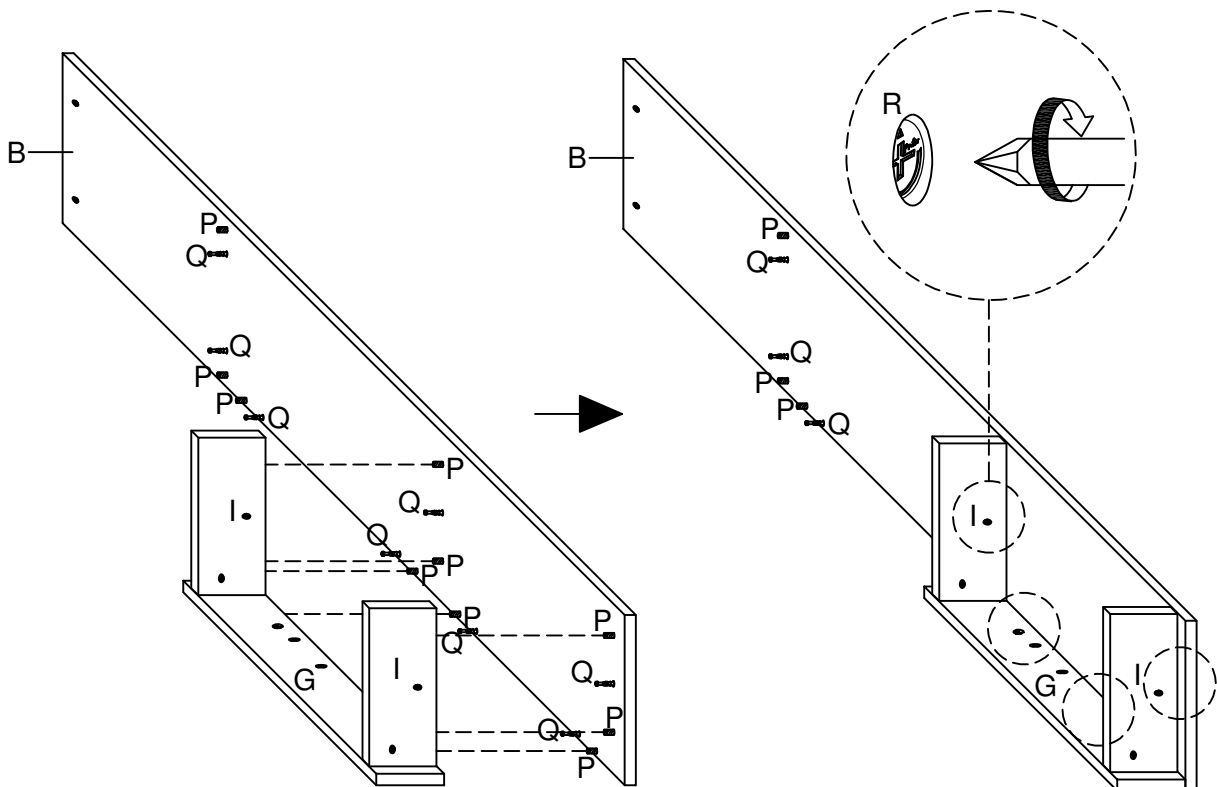
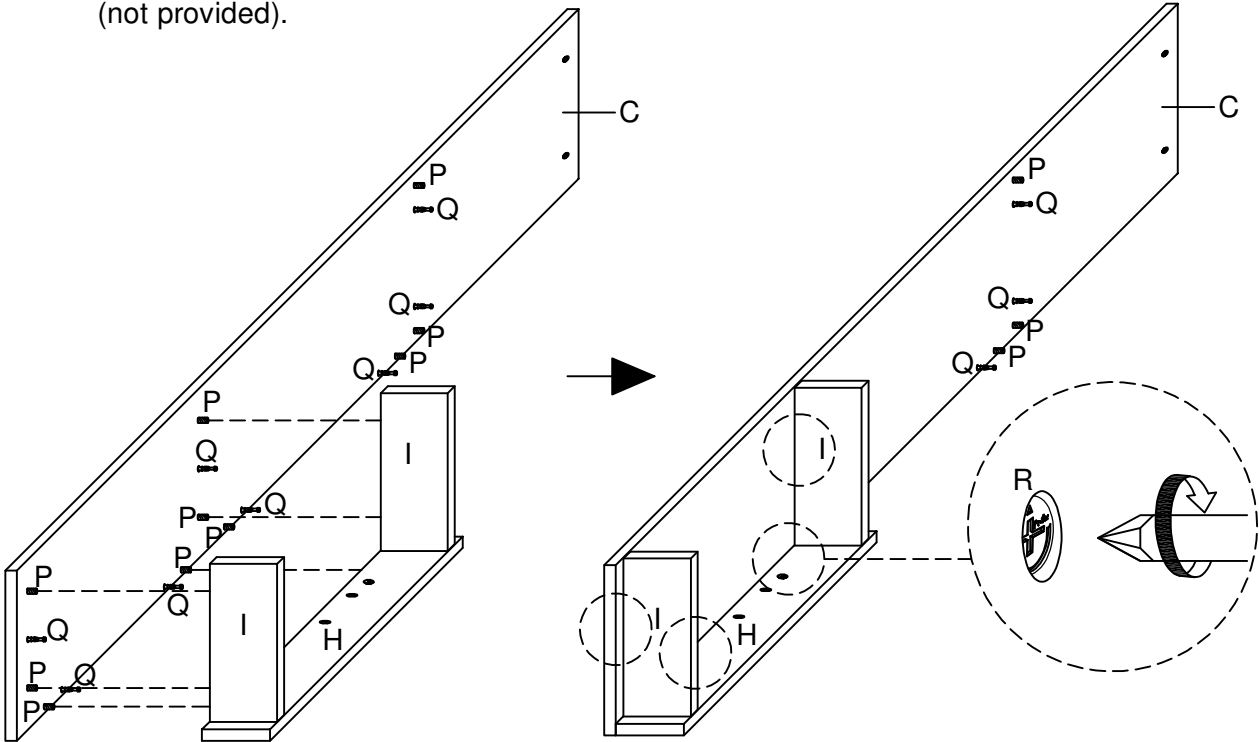
**8**

- Attach the Headboard Leg Support Panel (I) to the Headboard Bottom Left & Right Side Panel (G & H) then tighten the Minifix Cam Lock (R) with screwdriver (not provided).



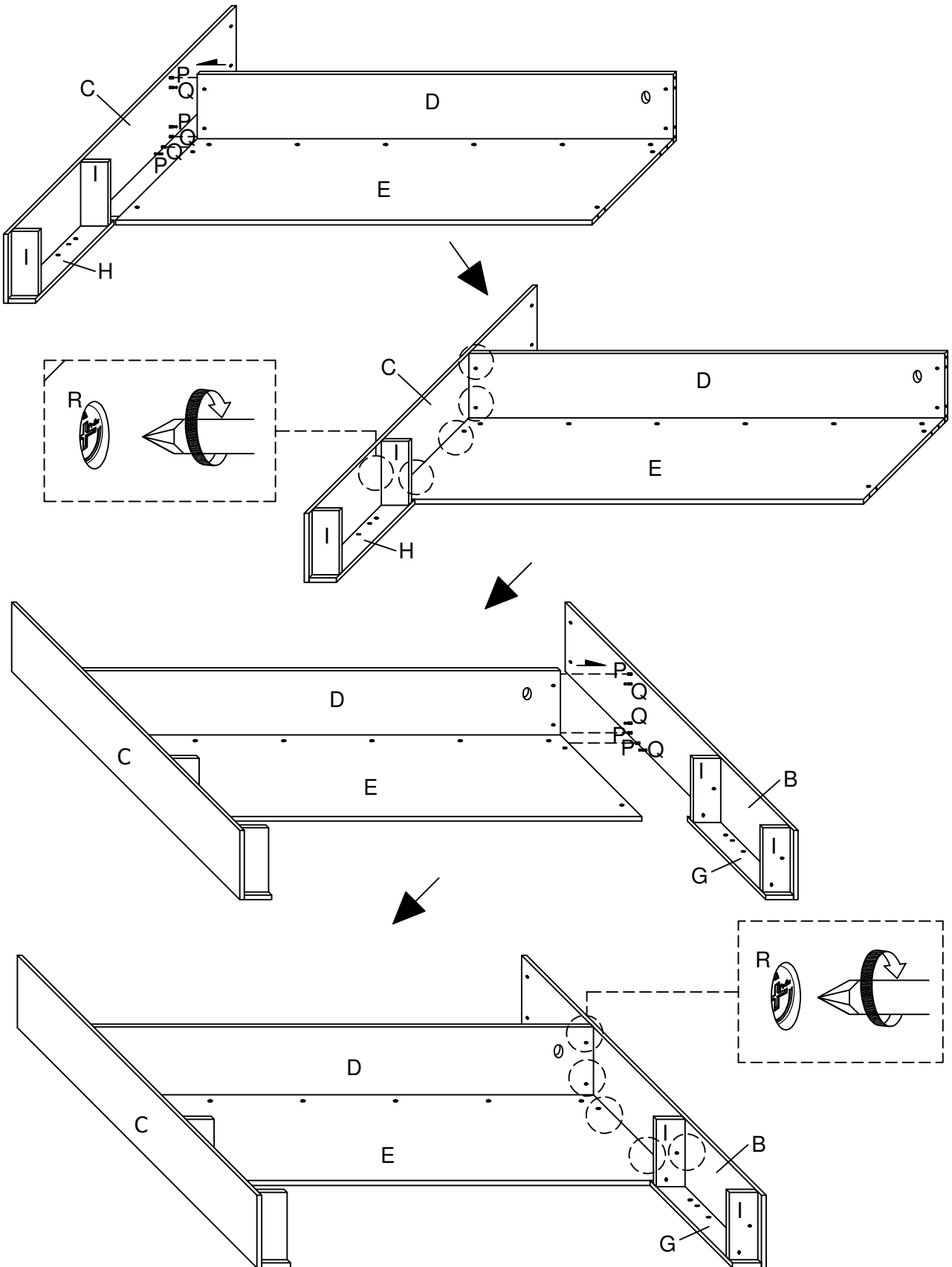
9

- i) Attach the Headboard Bottom Right Side Panel (H) & Headboard Leg Support Panel (I) to the Headboard Right Side Panel (C) then tighten the Minifix Cam Lock (R) with screwdriver (not provided).
- ii) Attach the Headboard Bottom Left Side Panel (G) & Headboard Leg Support Panel (I) to the Headboard Left Side Panel (B) then tighten the Minifix Cam Lock (R) with screwdriver (not provided).



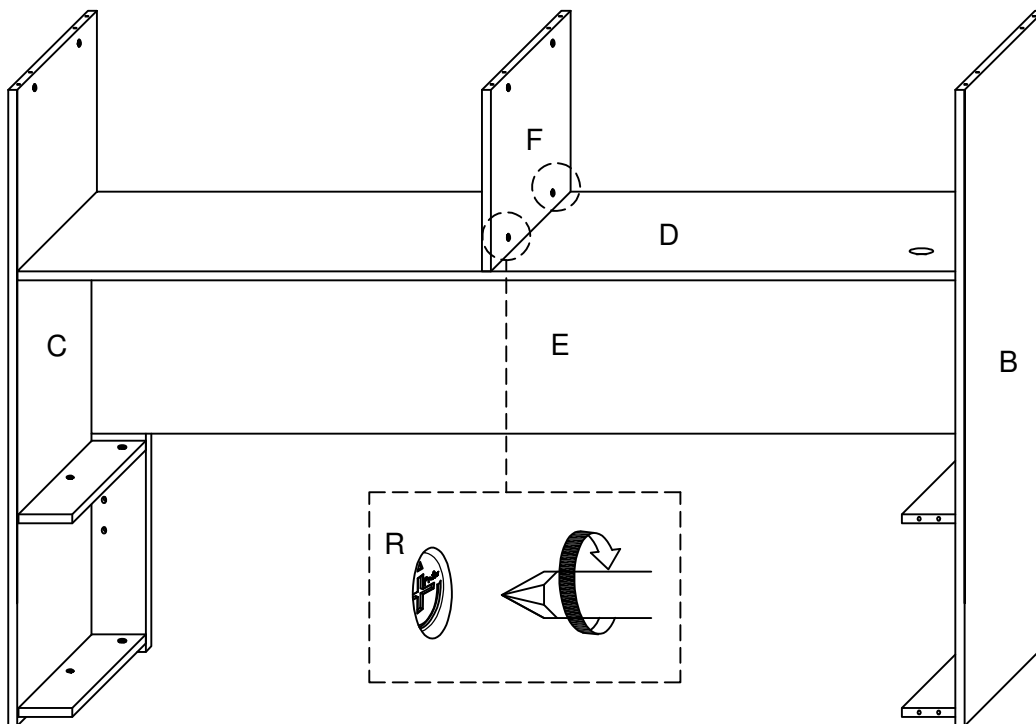
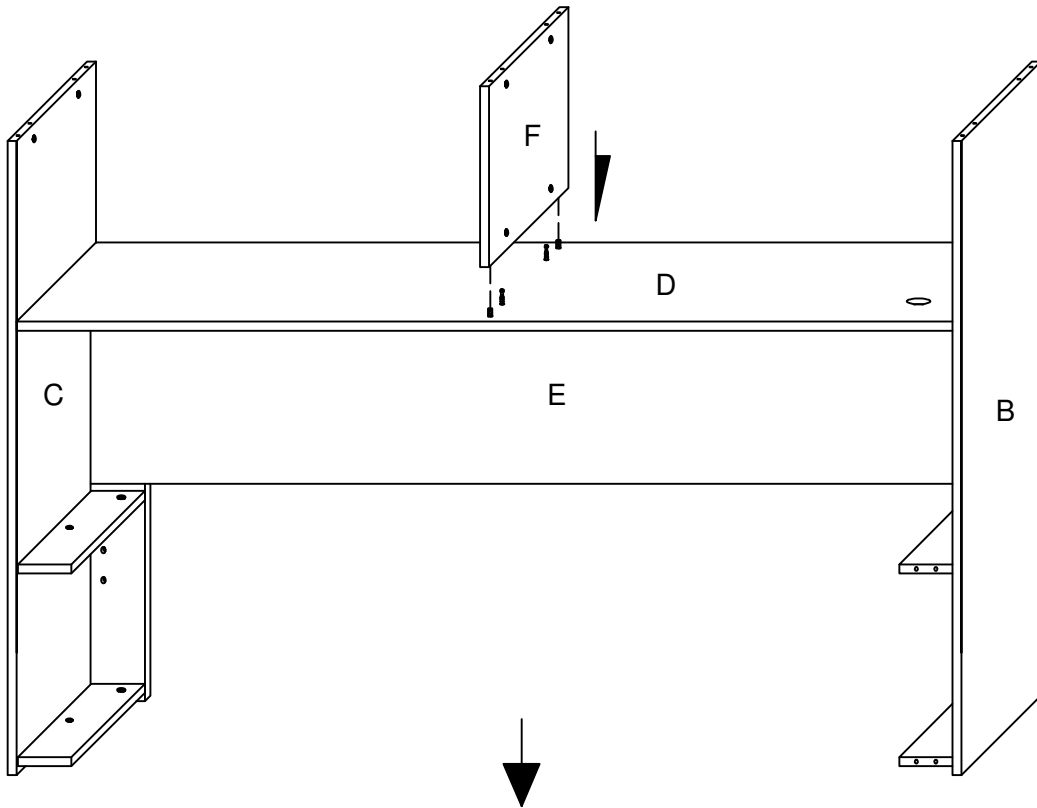
10

Attach the Headboard Left & Right Side Panel (B & C) to the Headboard Middle & Front Panel (D & E) then tighten the Minifix Cam Lock (R) with screwdriver (not provided).



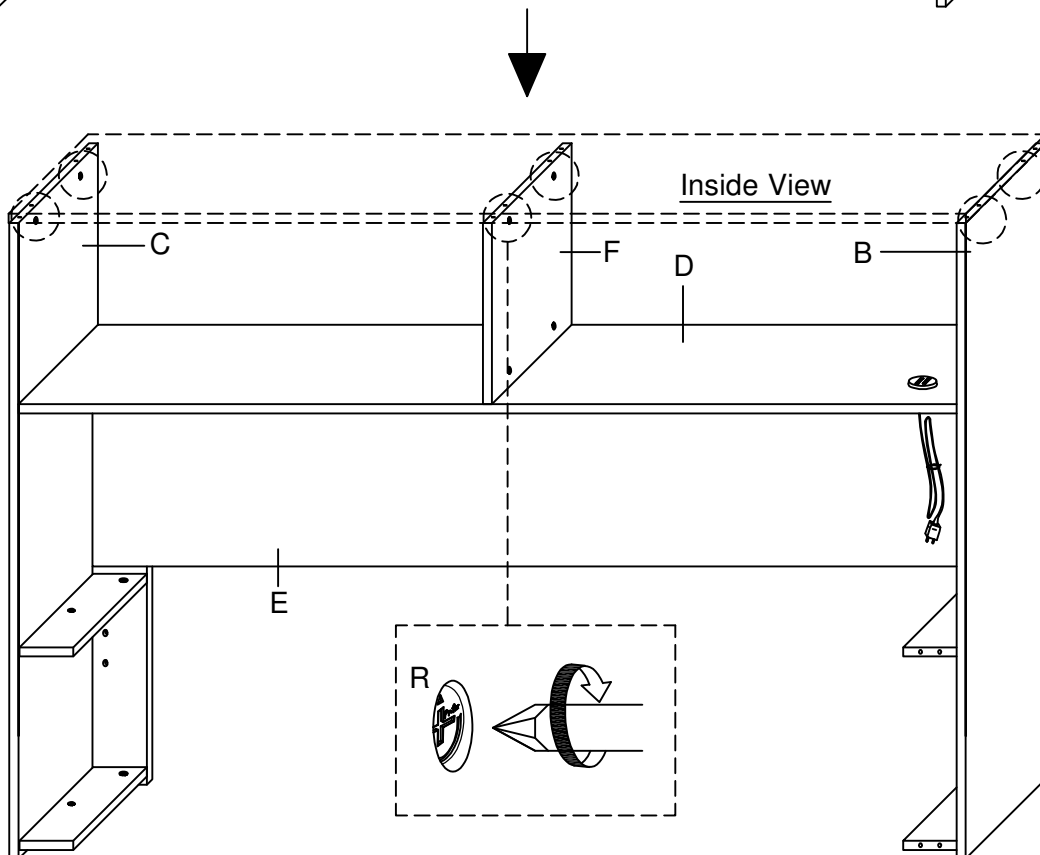
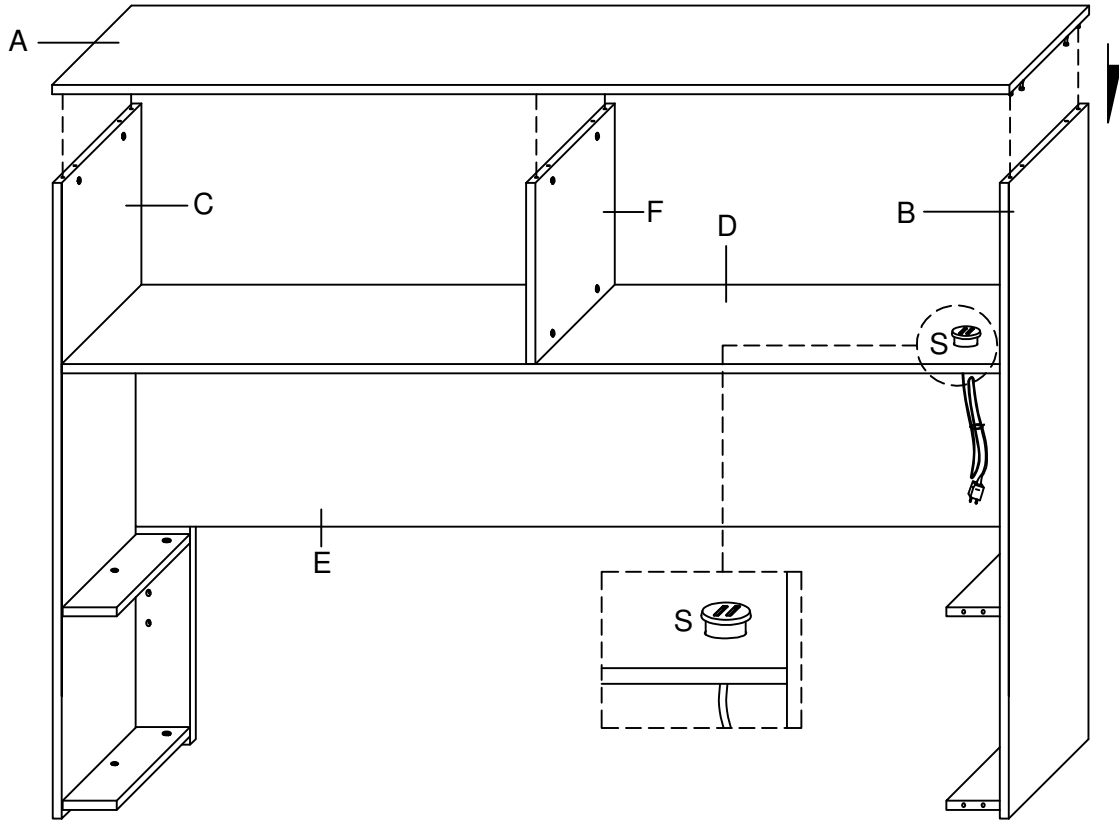
11

Attach the Headboard Center Panel (F) to the Headboard Middle Panel (D) then tighten the Minifix Cam Lock (R) with screwdriver (not provided).

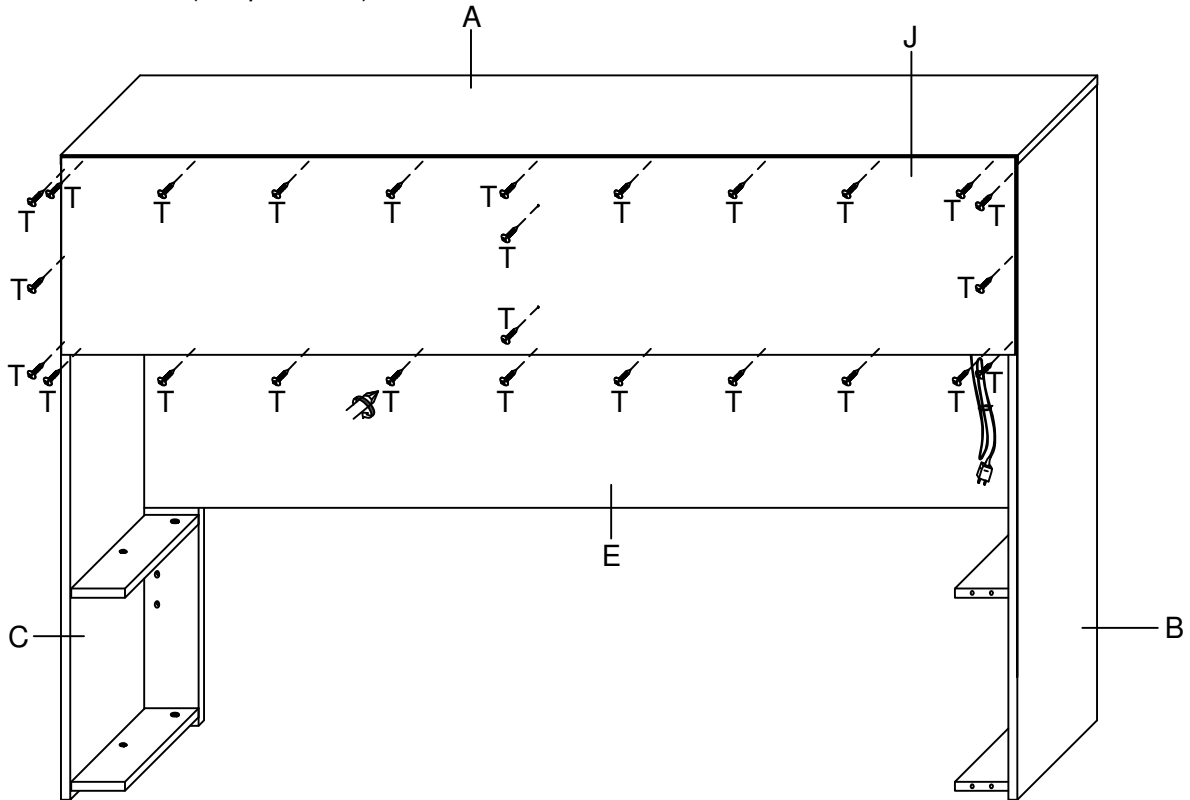


12

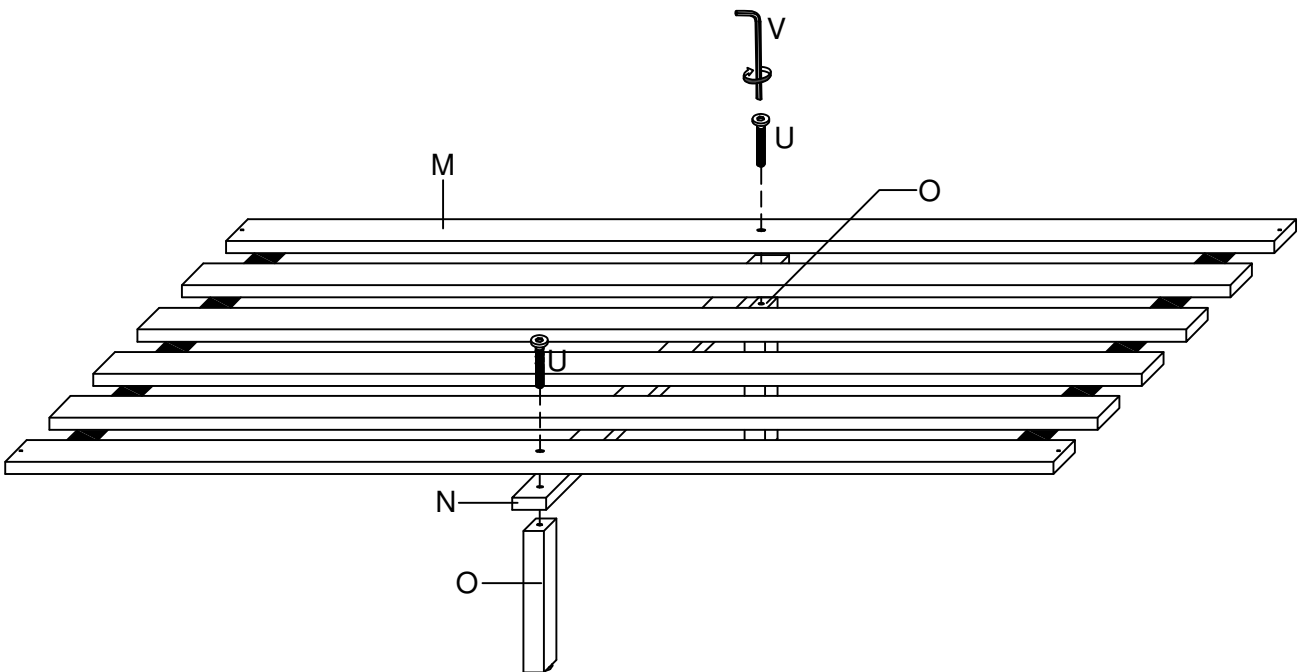
Attach the Headboard Top Panel (A) to the Headboard Left & Right Side Panel (B & C) and Headboard Center Panel (F) then tighten the Minifix Cam Lock (R) with screwdriver (not provided). Place the Usb Port (S) into the Headboard Middle Panel (D).



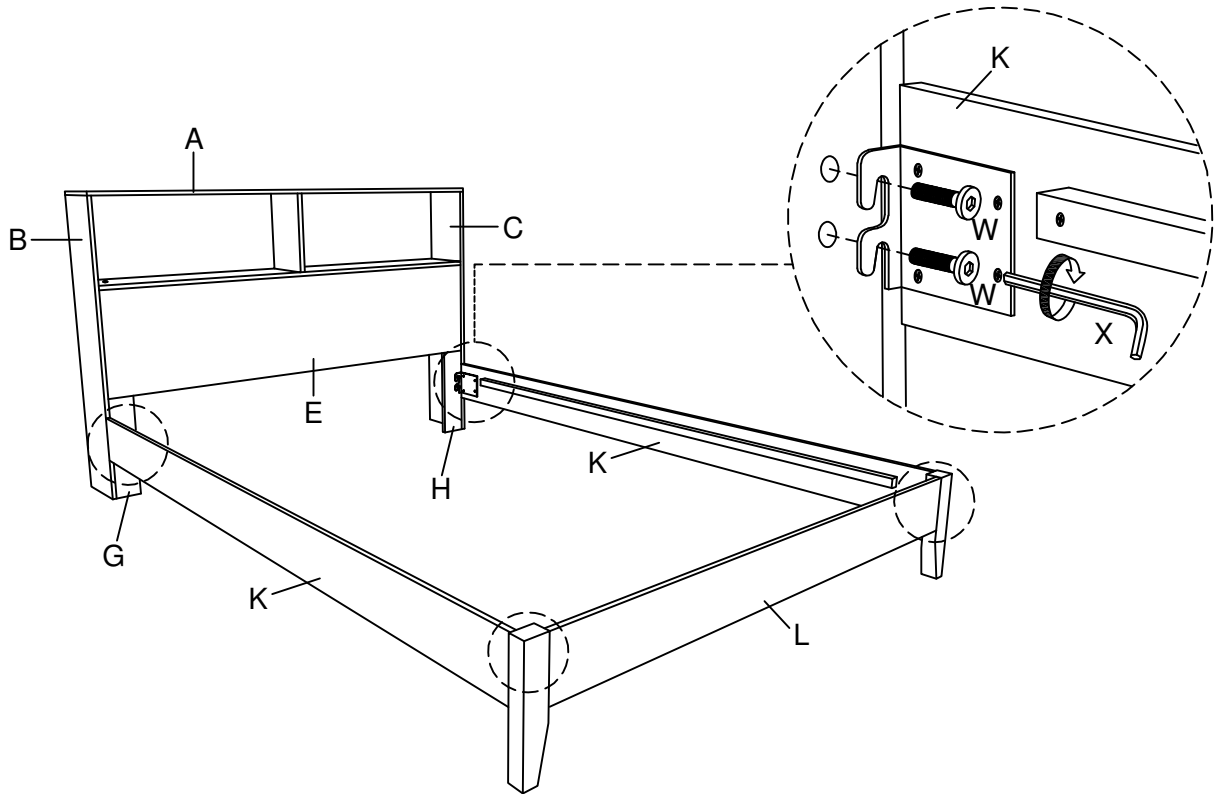
13 Attach the Headboard Back Panel (J) to the assembled unit using Pan Head Screw (T) with screwdriver (not provided).



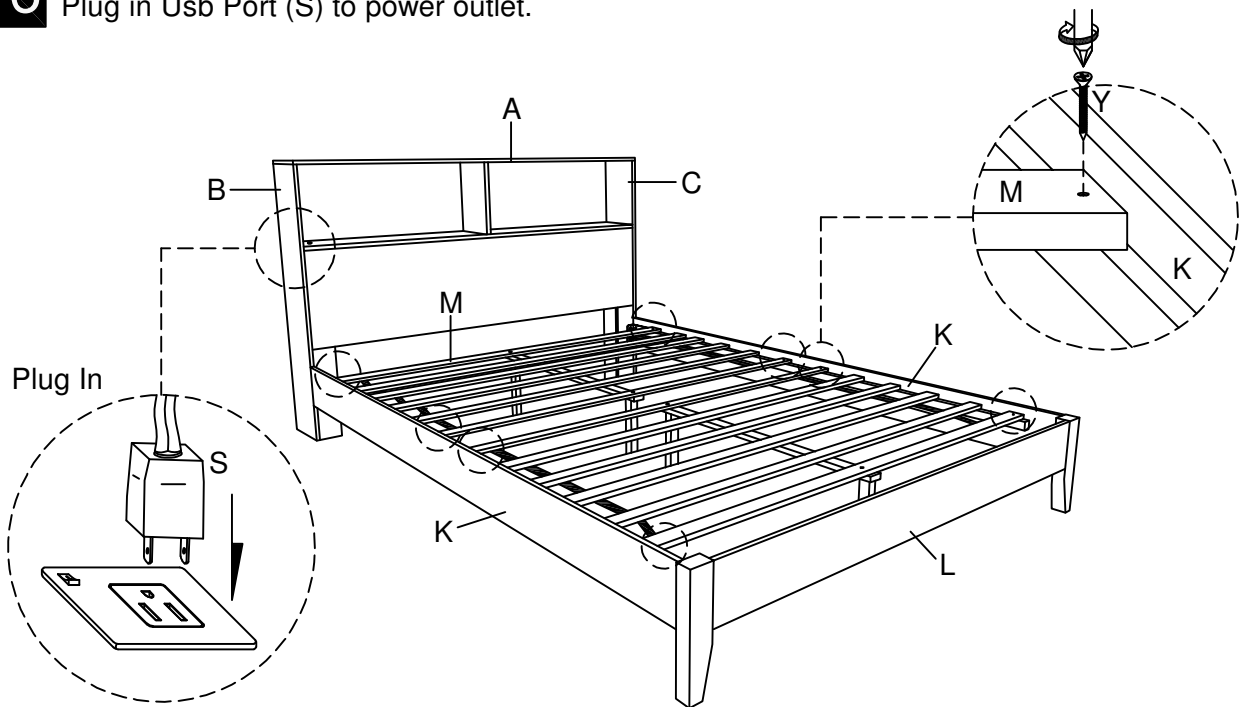
14 Attach the Slat (M), Slat Support Rail (N) and Center Support Leg (O) using JCBC Screw (U) with Allen Key (V).



15 Attach the Side Rail (K) to the Headboard Bottom Left & Right Side Panel (G & H) and Footboard (L) using JCBC Screw (W) with Allen Key (X).



16 Attach the Slat (M) to the Side Rail (K) using Csk Screw (Y) with screwdriver (not provided). Plug in Usb Port (S) to power outlet.



Cleaning & Care

Treat surfaces with care. Surfaces are resistant to scratches but are not scratch resistant. Clean surfaces with a dry or damp soft cloth. Do not use abrasive cleaners. Hardware may loosen over time. Periodically check that all connections are tight.