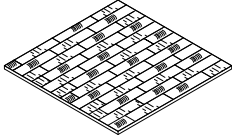
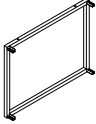
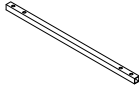


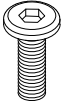

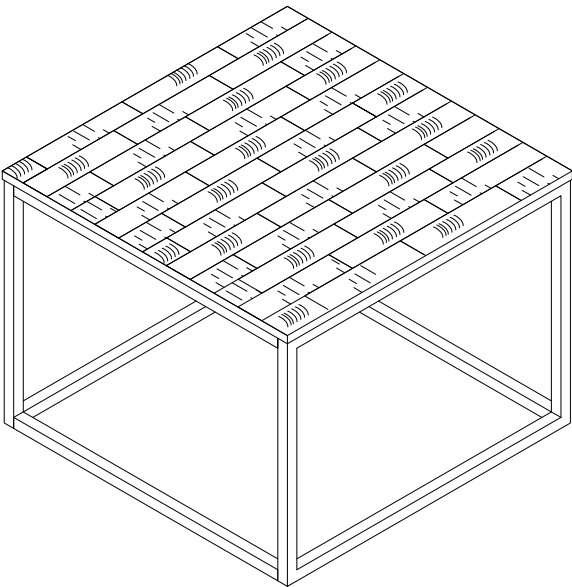


ASSEMBLY INSTRUCTIONS

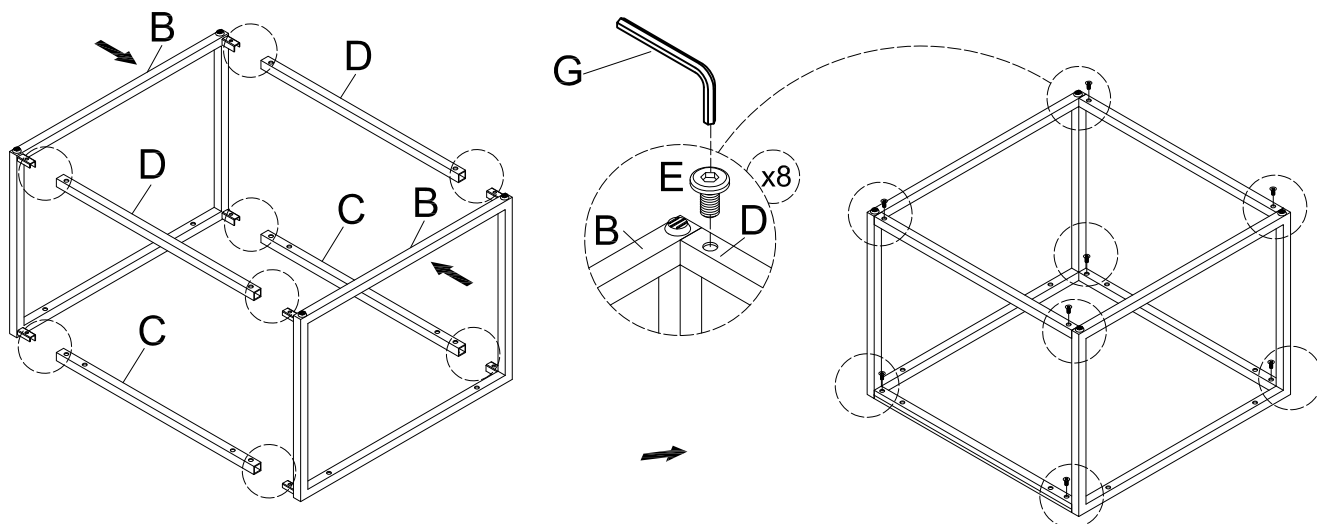
END TABLE

A Top Panel	B Leg Frame	C Top Metal Bar	D Bottom Metal Bar
			
1 PC	2 PCS	2 PCS	2 PCS
E Short Allen Bolt Ø1/4" x 5/8"	F Long Allen Bolt Ø1/4" x 1-1/8"	G Allen Key Ø4mm	
			
8 PCS	8 PCS	1 PC	

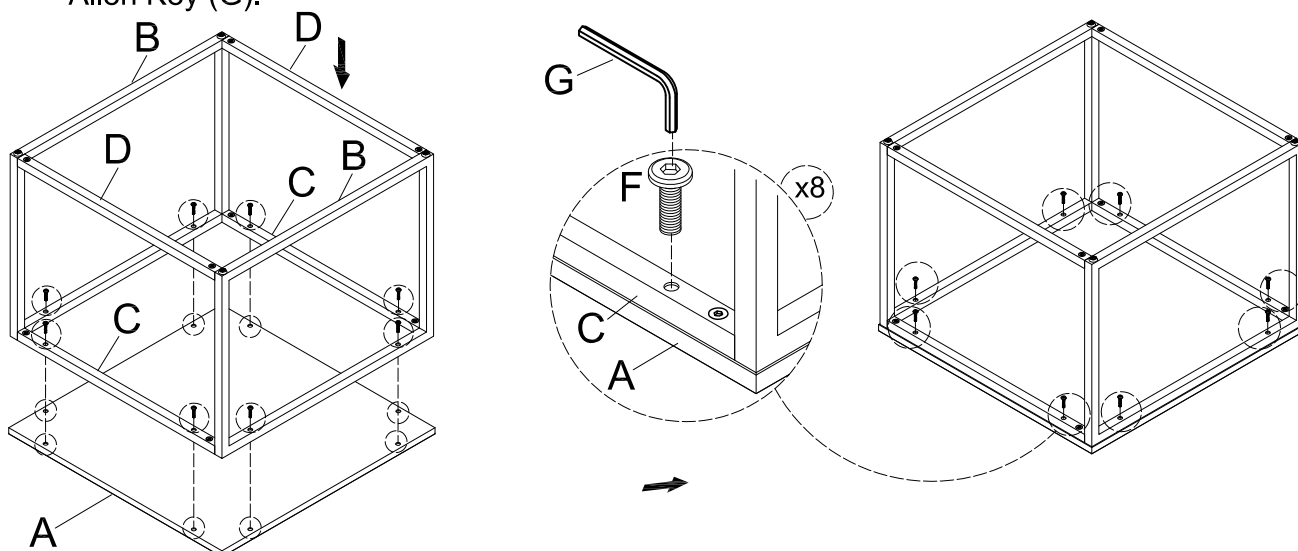


This page lists all the contents included in the box. Please take the time to identify the hardware as well as the individual components to this product. As you unpack and prepare for assembly, place the contents on a carpeted or padded area to protect them from damage.

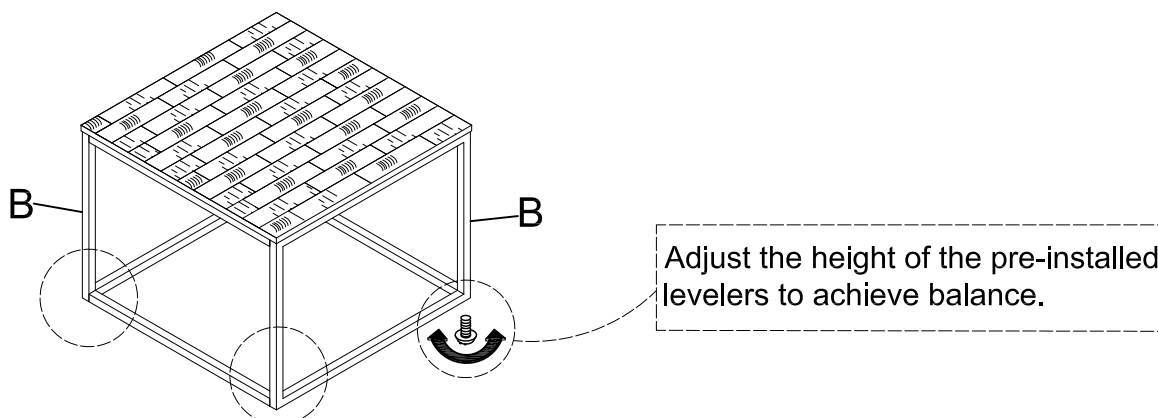
- 1** Attach the Top & Bottom Metal Bar (C & D) to the Leg Frame (B) using Short Allen Bolt (E) with the Allen Key (G).



- 2** Attach the metal frame assembly to the Top Panel (A) using Long Allen Bolt (F) with the Allen Key (G).



- 3** With the assistance of your adult partners, carefully stand the table upright. If the table wobbles slightly, adjust the pre-installed levelers on the bottom of the Leg Frame (B) until the table is stabilized.



Cleaning & Care

Treat surfaces with care. Surfaces are resistant to scratches but are not scratch resistant. Clean surfaces with a dry or damp soft cloth. Do not use abrasive cleaners. Hardware may loosen over time. Periodically check that all connections are tight.