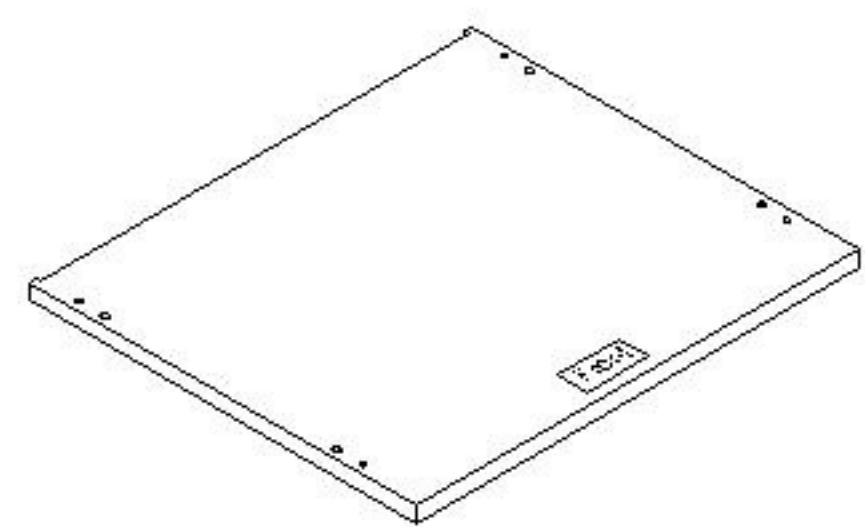


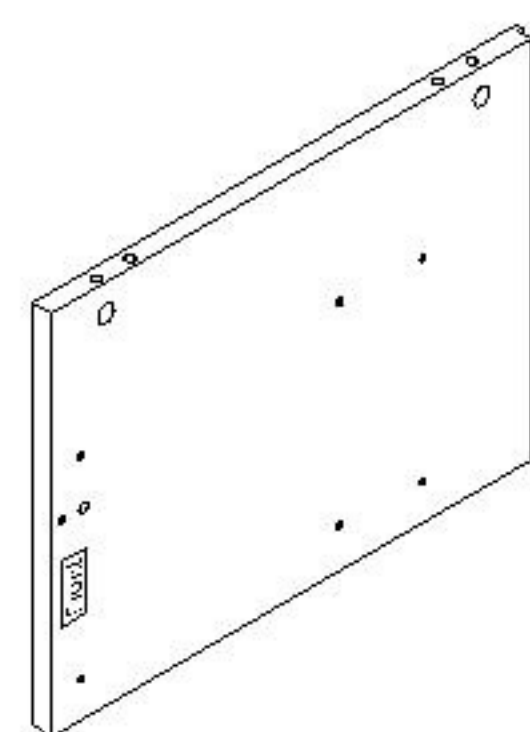
ASSEMBLY INSTRUCTION

2-DRAWER NIGHTSTAND

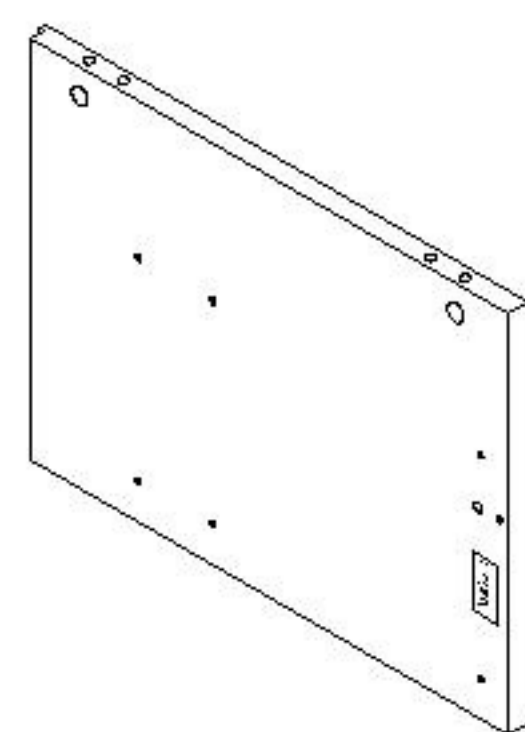
A Top Panel **B** Left Side Panel **C** Right Side Panel **D** Bottom Frame



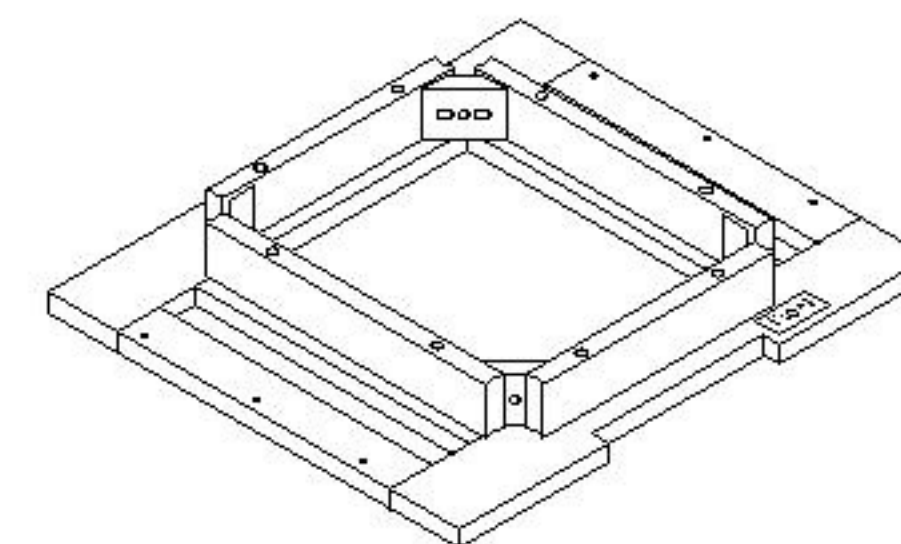
1pc



1pc

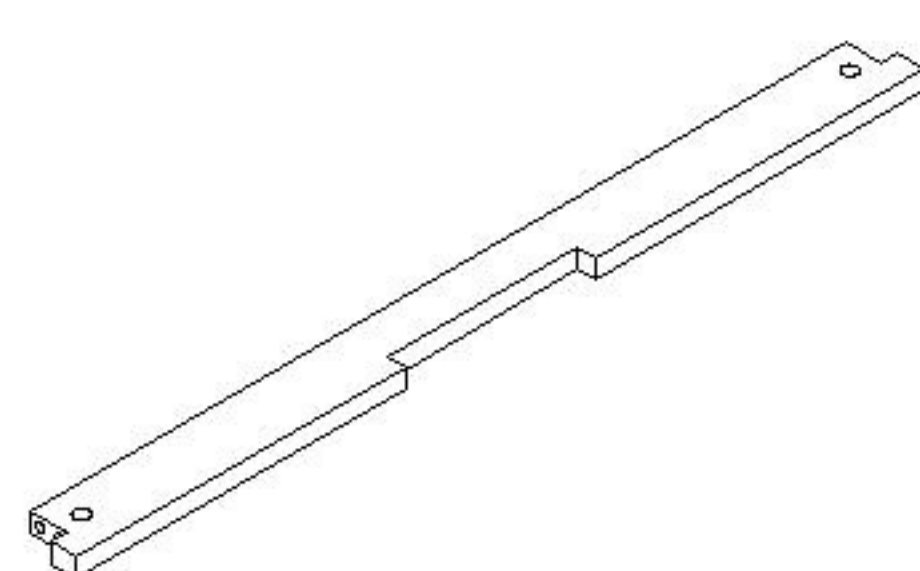


1pc



1pc

E Center Bar



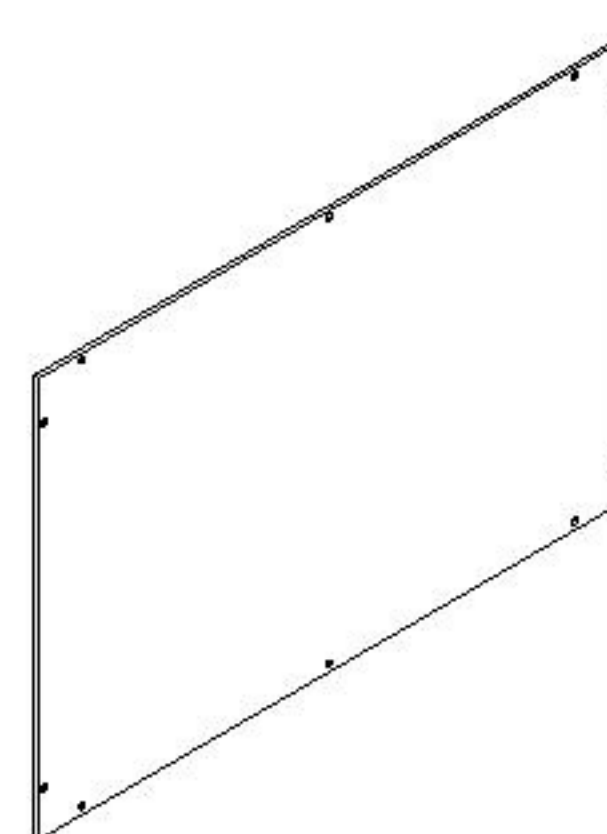
1pc

F Leg



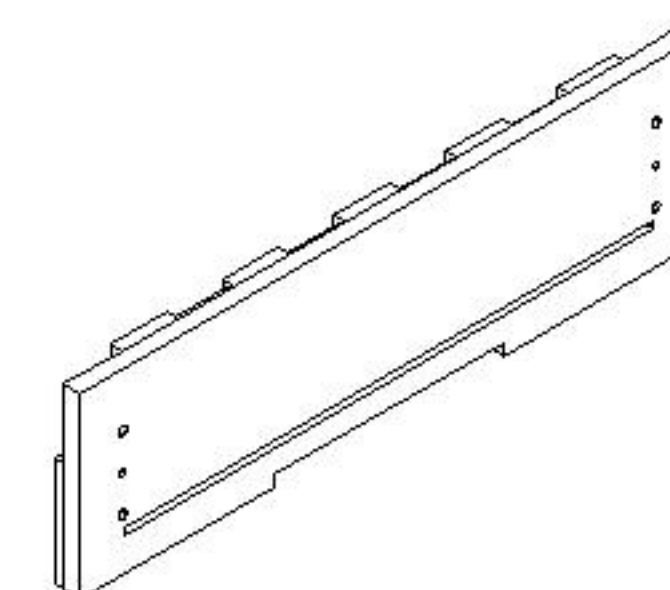
4pcs

G Back Plywood



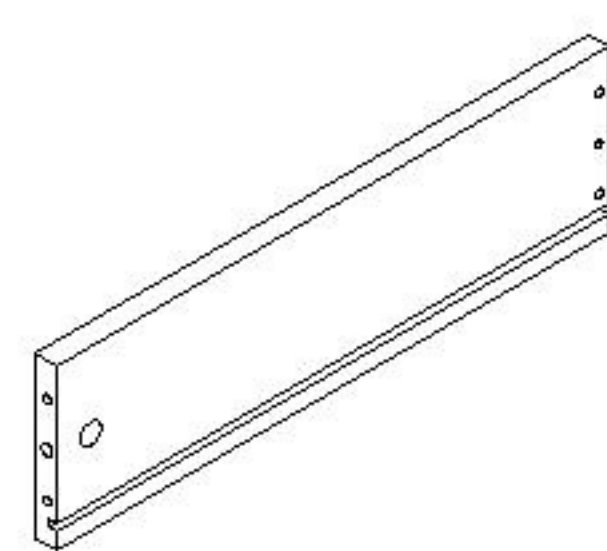
1pc

H Top Drawer Front



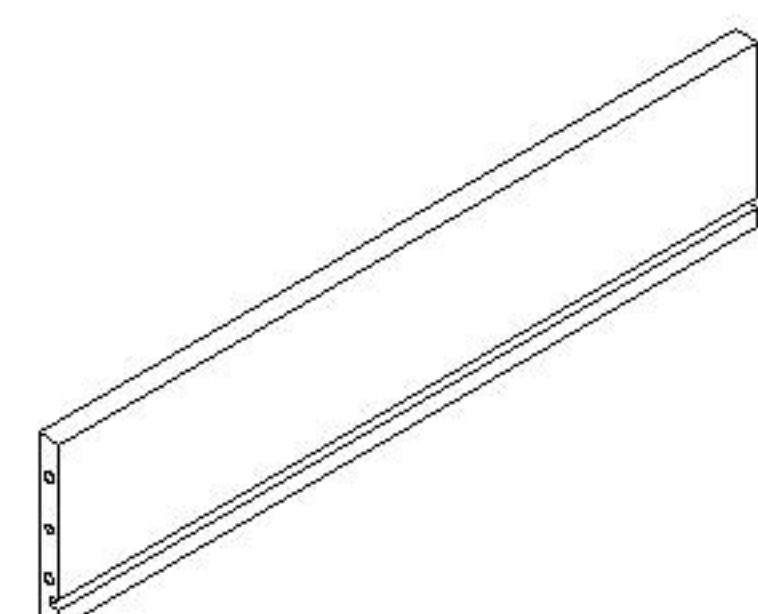
1pc

I Left Drawer Side



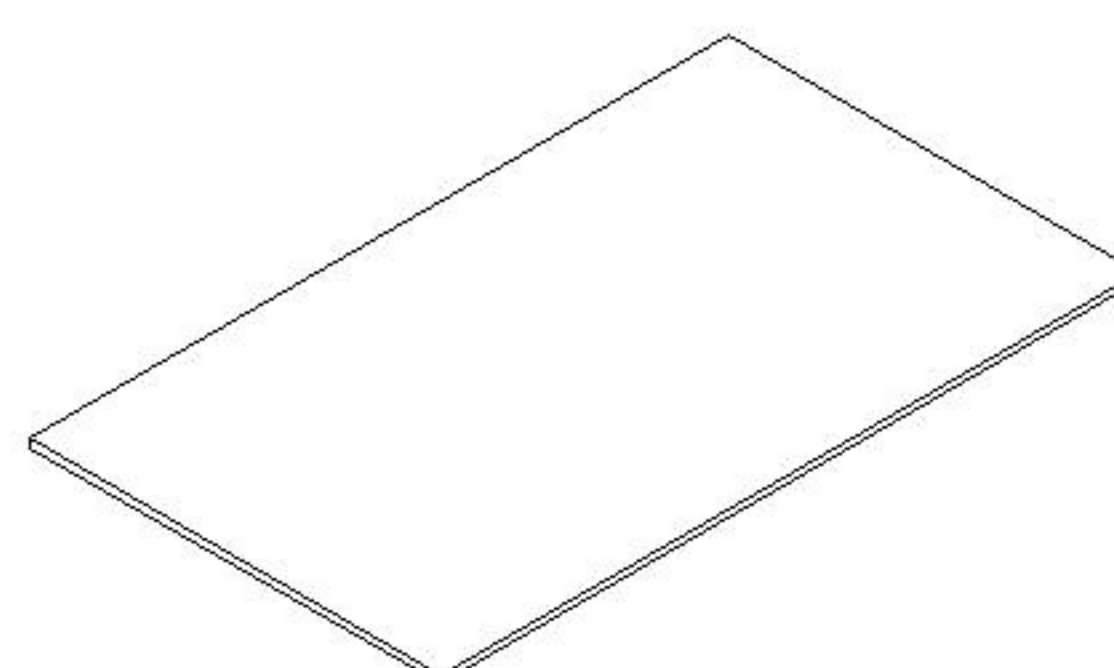
2pcs

J Drawer Back



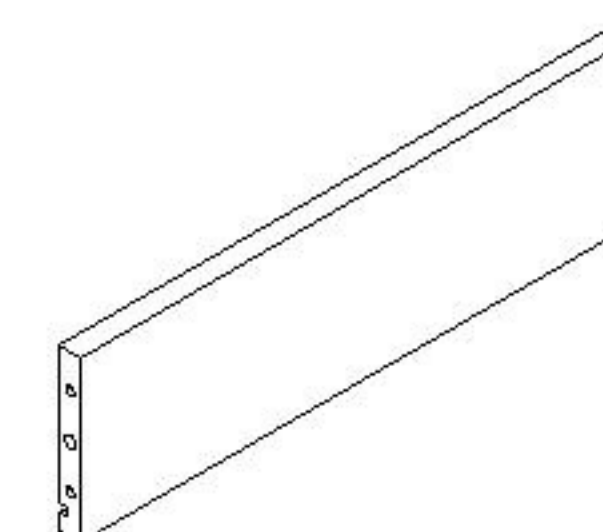
2pcs

K Drawer Base



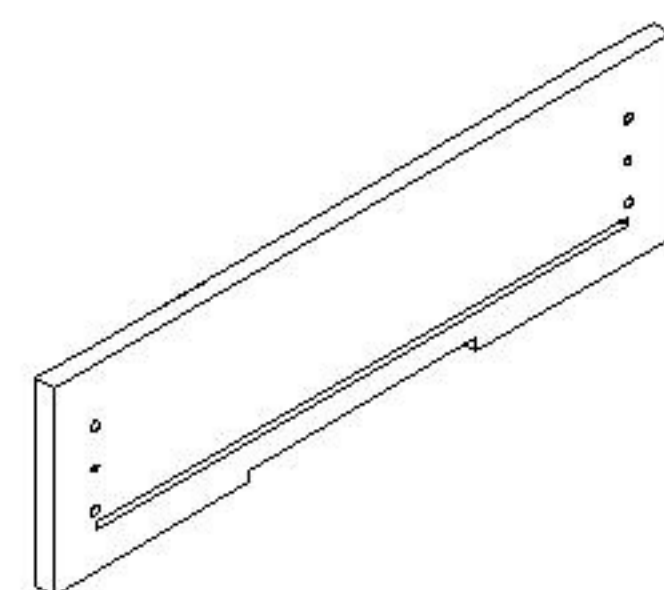
2pcs

L Right Drawer Side



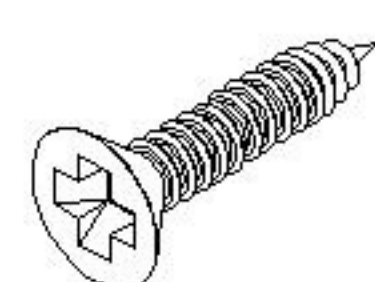
2pcs

M Bottom Drawer Front

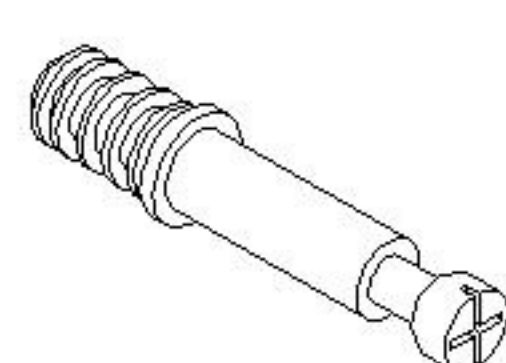


1pc

N Screw
M3 x 16mm

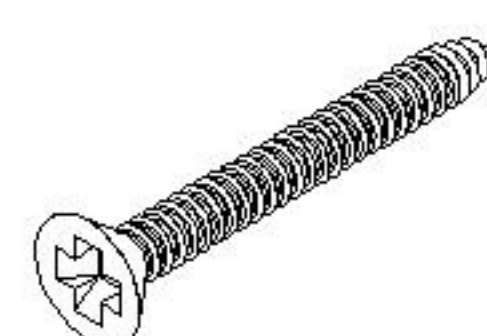


R Cam Bolt
5 x 25mm

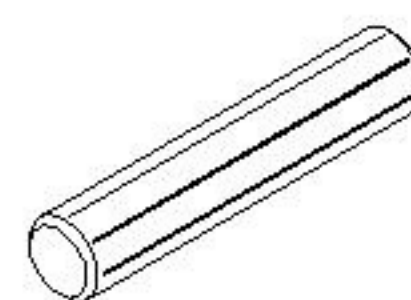


14pcs

O Screw
M4 x 38mm

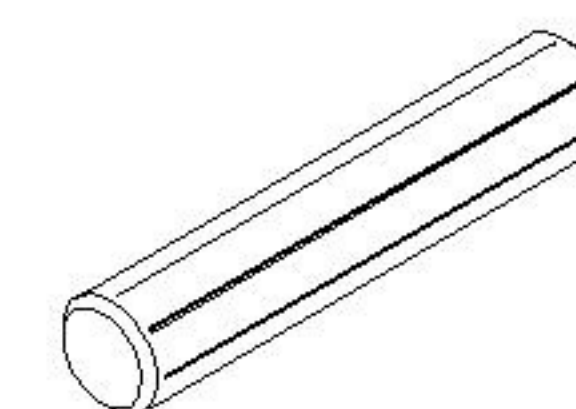


S Dowel
M6 x 30mm



16pcs

P Dowel
M8 x 35mm

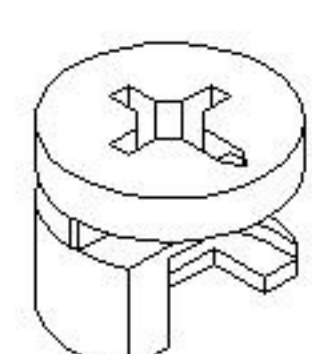


T Runner
400mm



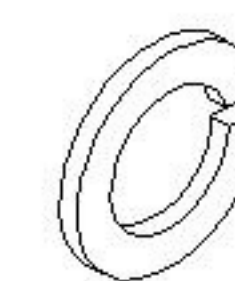
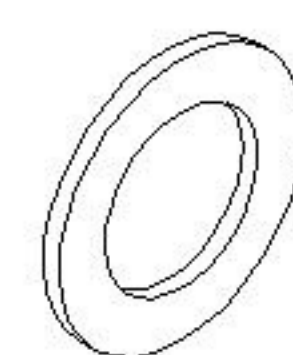
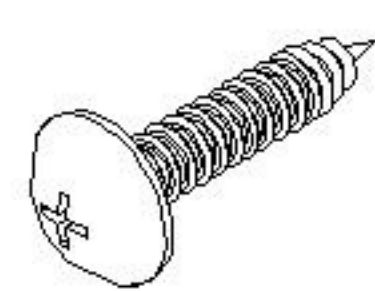
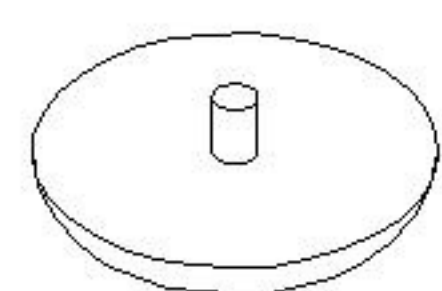
2sets

Q Cam Lock
15 x 12mm



14pcs

| | | | |
|-------------------------------------|---|----------------------------|------------------------------|
| U Cam Lock Cover 17 x 5mm | V Panhead Screw M4 x 16mm-Black | W Flat Washer M6 | X Spring Washer M6 |
|-------------------------------------|---|----------------------------|------------------------------|



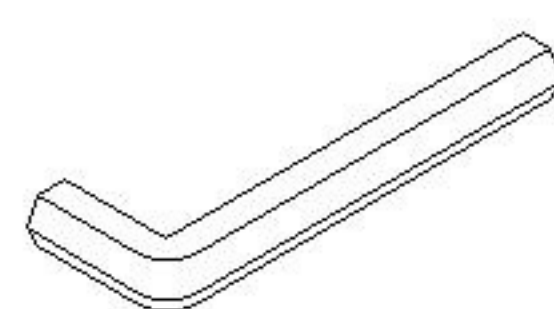
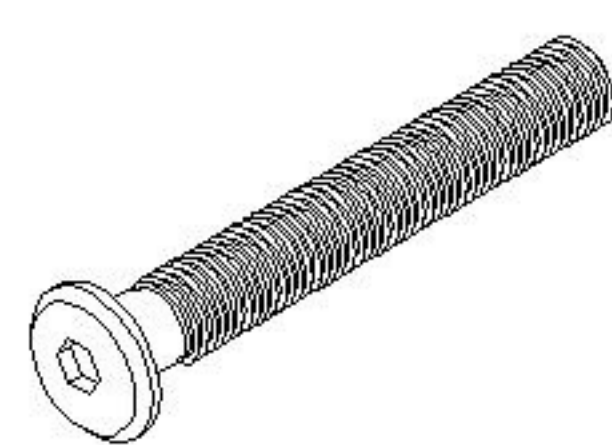
14pcs

10pcs

4pcs

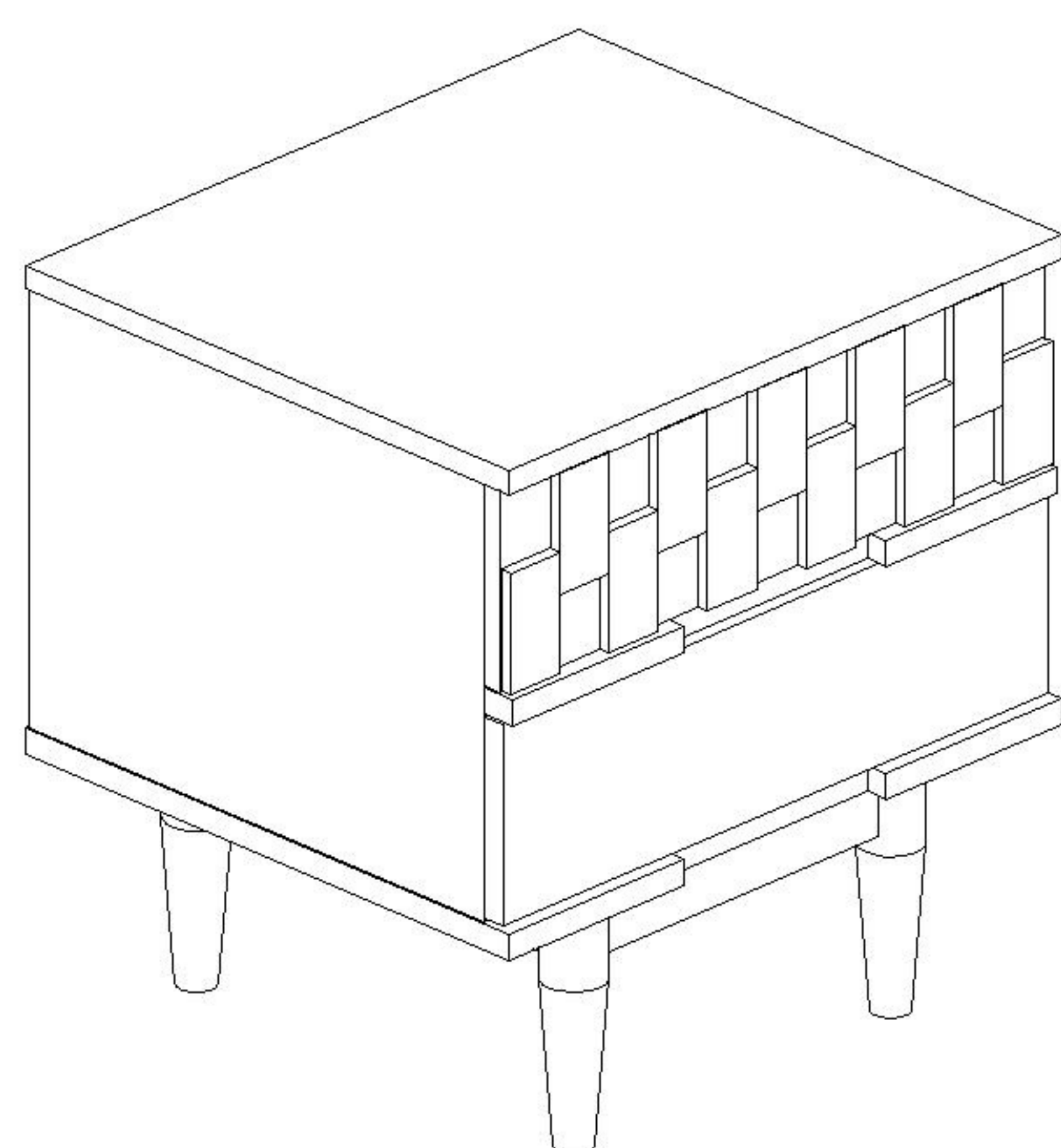
4pcs

| | |
|----------------------------------|--------------------------|
| Y JCBC Screw M6 x 45mm | Z Allen Key M4 |
|----------------------------------|--------------------------|



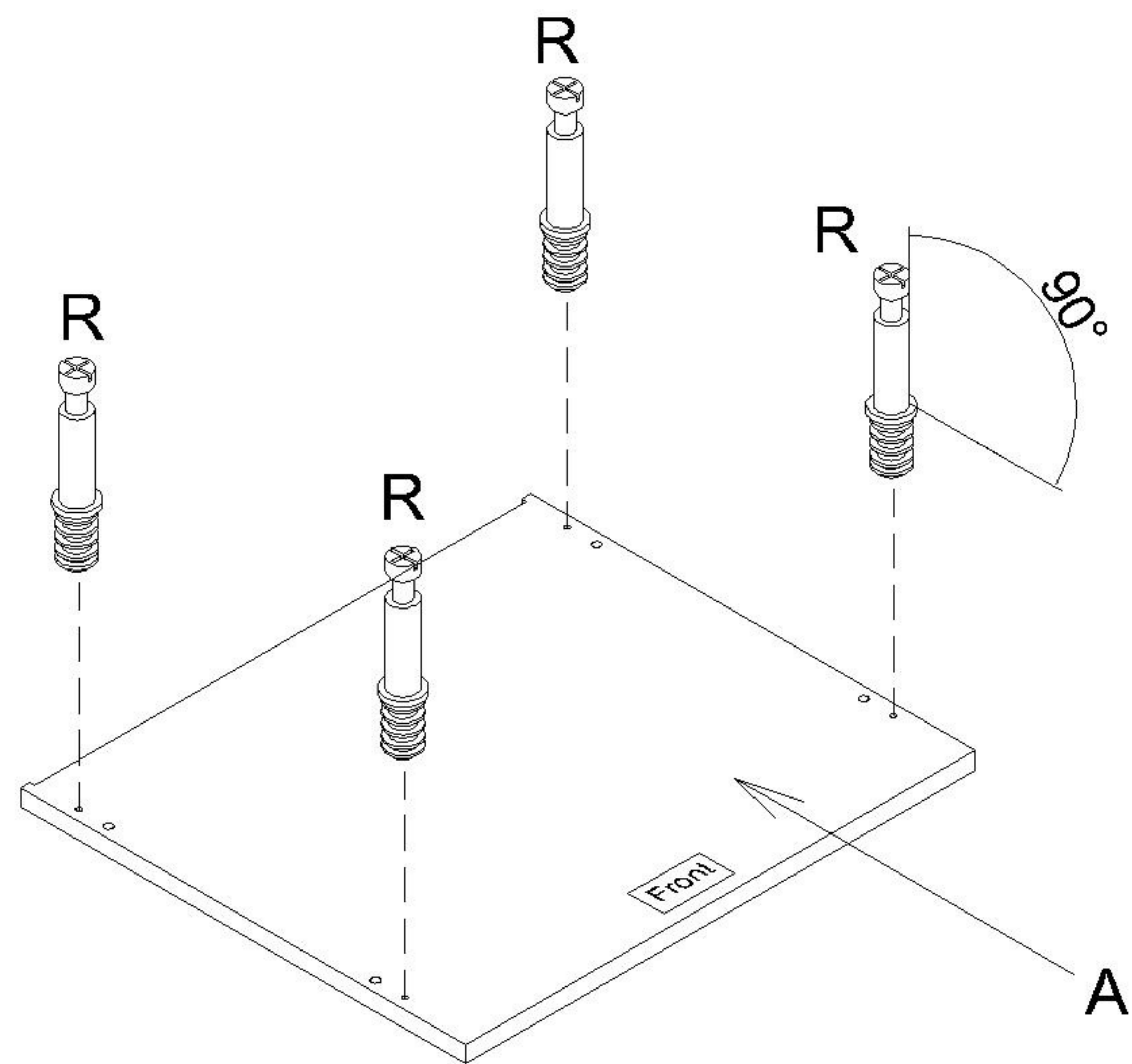
4pcs

1pc



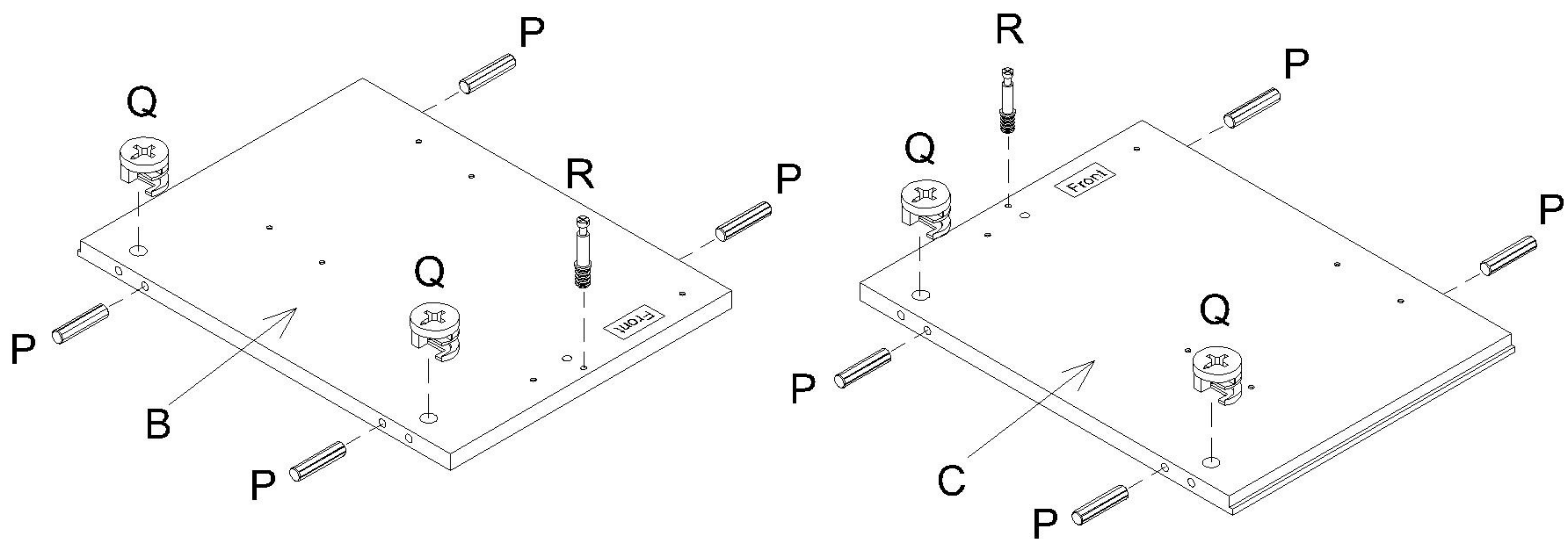
These pages list all the contents included in the box. Please take the time to identify the hardware as well as the individual components to this product. As you unpack and prepare for assembly, place the contents on a carpeted or padded area to protect them from damage.

1 Attach Cam Bolt (R) to Top Panel (A).



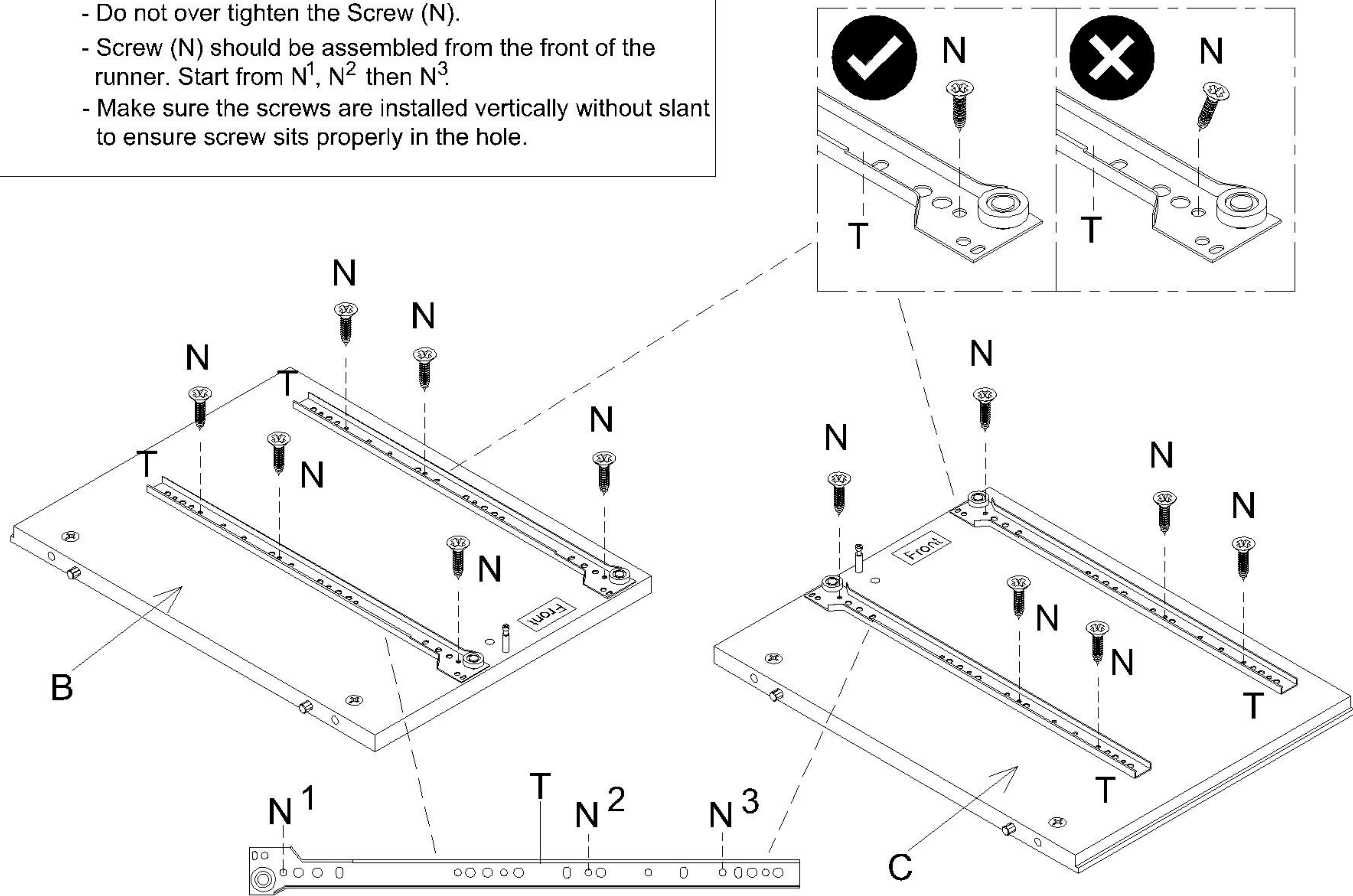
2 Attach Dowel (P), Cam Lock (Q) and Cam Bolt (R) to Left & Right Side Panel (B & C).

NOTE : - Make sure arrows on each Cam Lock (Q) points towards nearest edge with holes.



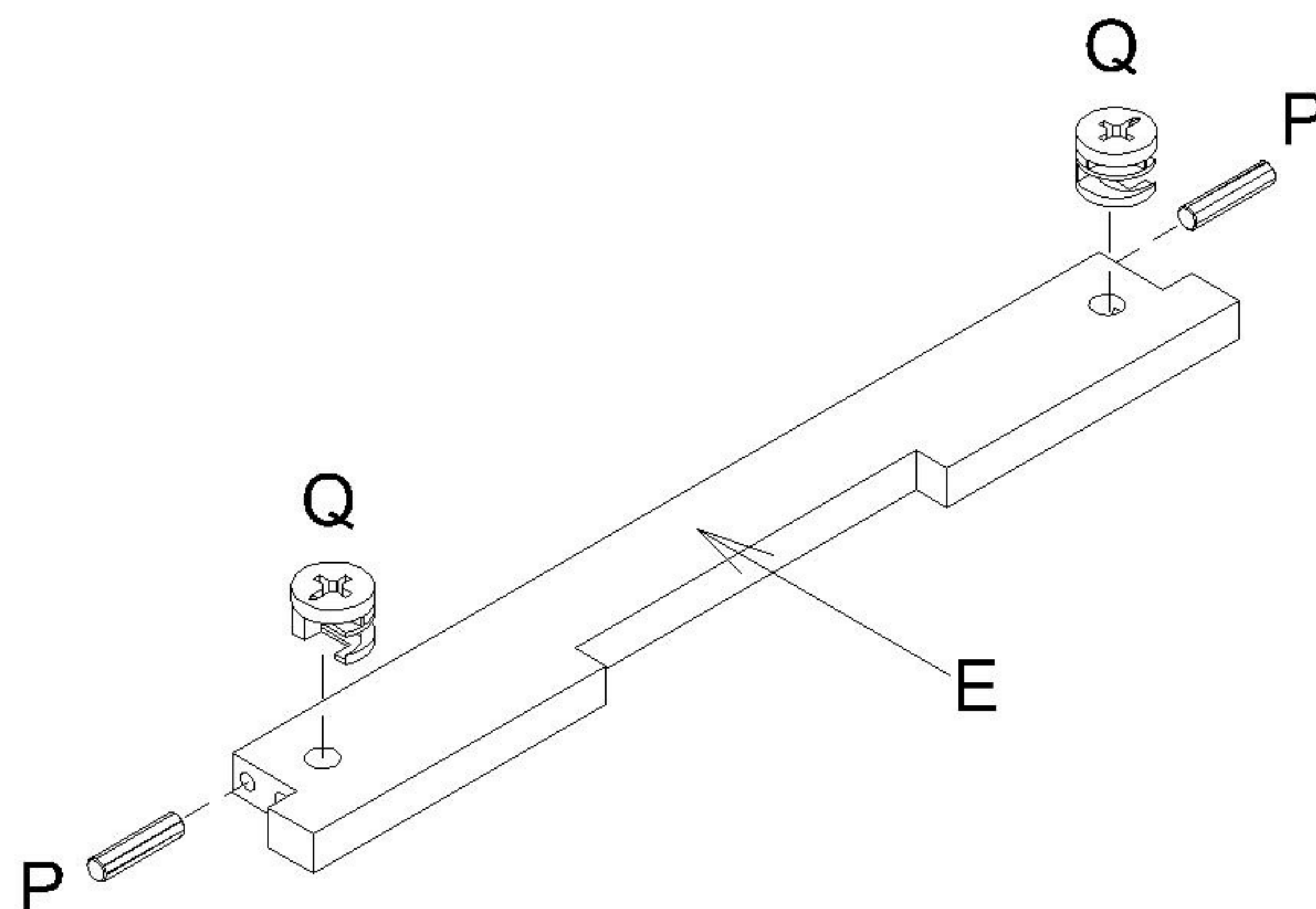
3 Attach Runner (T) to Left & Right Side Panel (B & C) and secure with Screw (N).

NOTE : - Runner roller should be towards the front of the panel.
- Do not over tighten the Screw (N).
- Screw (N) should be assembled from the front of the runner. Start from N¹, N² then N³.
- Make sure the screws are installed vertically without slant to ensure screw sits properly in the hole.



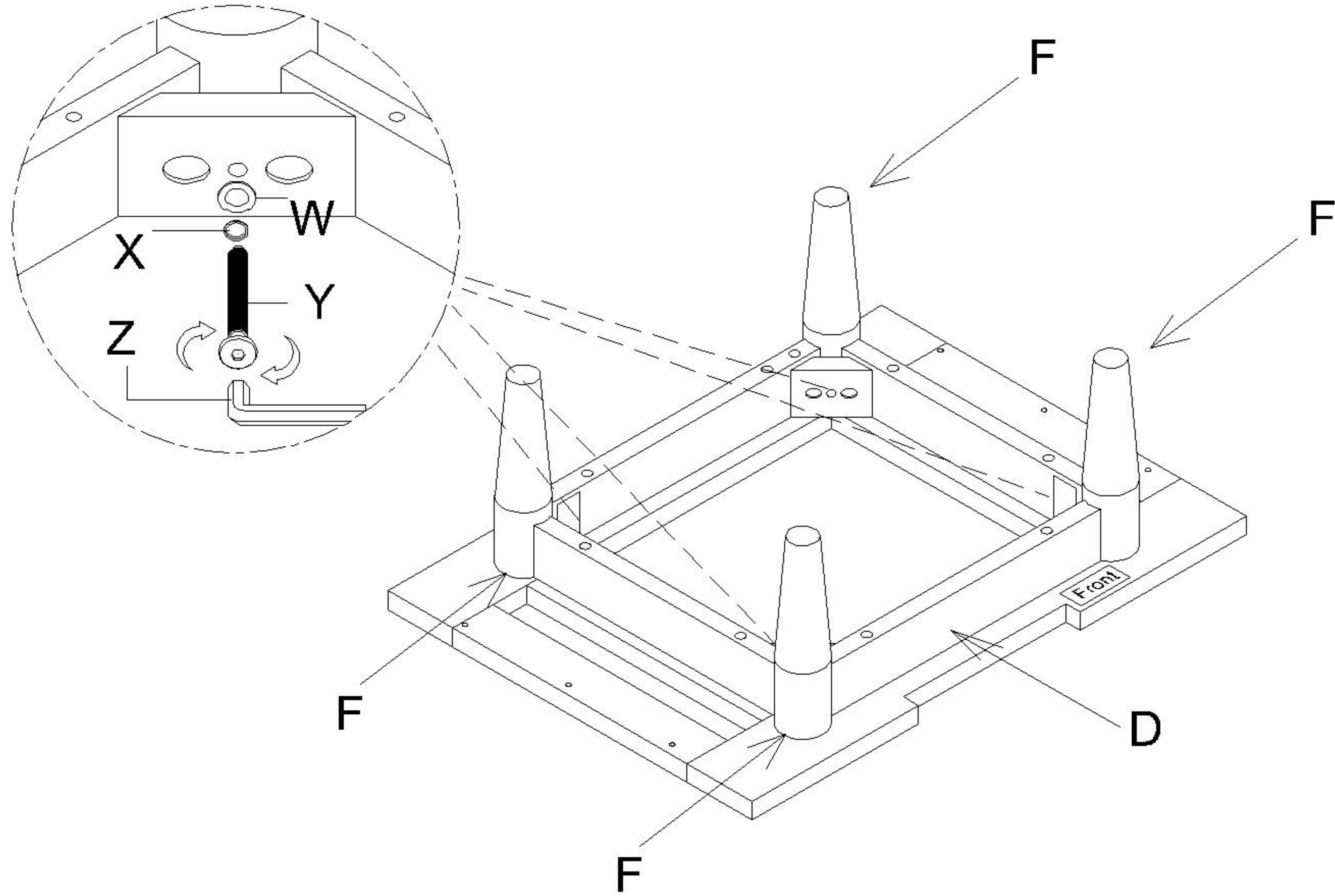
4 Attach Dowel (P) and Cam Lock (Q) to Center Bar (E).

NOTE : - Make sure arrows on each Cam Lock (Q) points towards nearest edge with holes.



5

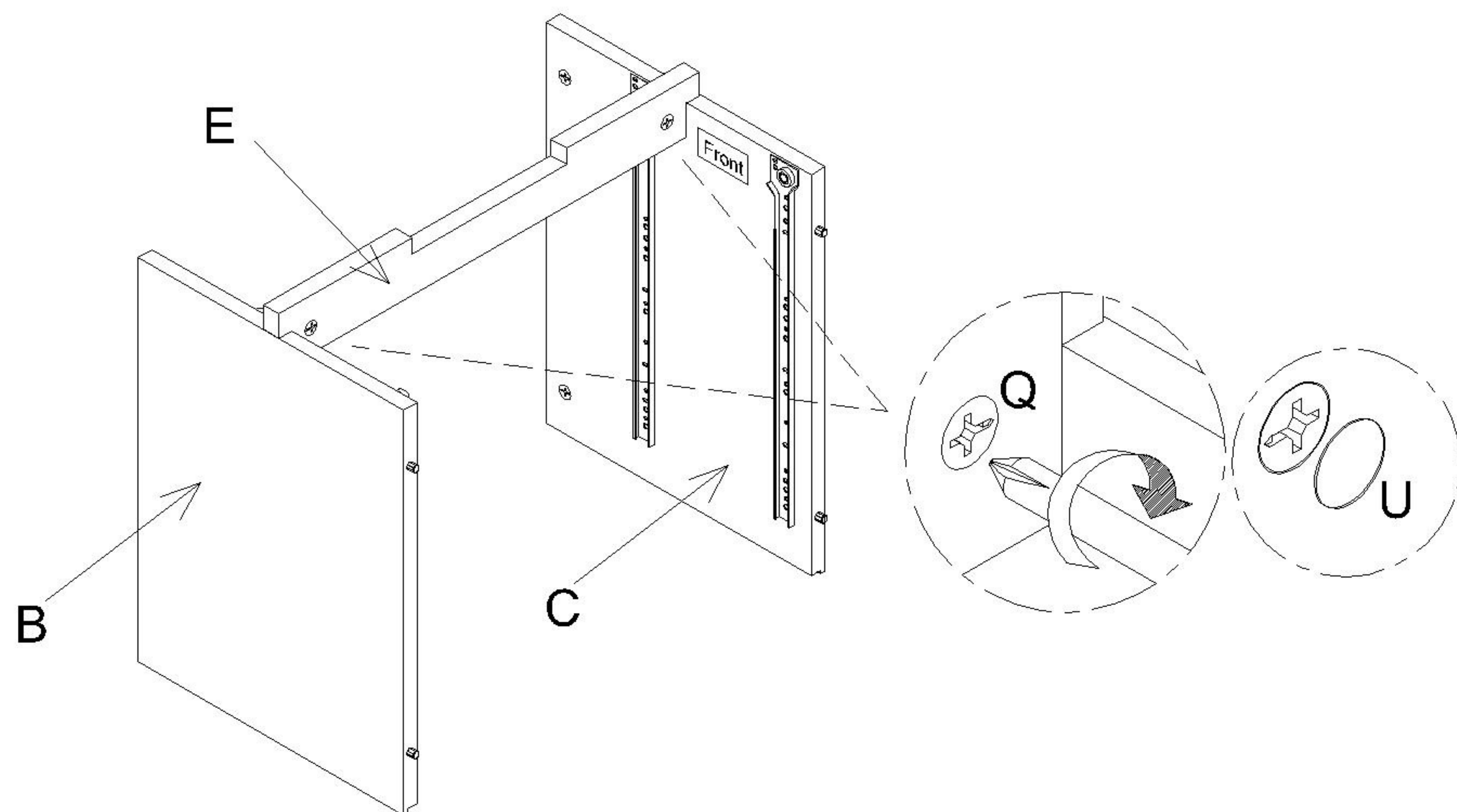
Attach Leg (F) to Bottom Frame (D) and secure with JCBC Screw (Y), Spring Washer (X) & Flat Washer (W) and tighten with Allen Key (Z) clockwise.



6

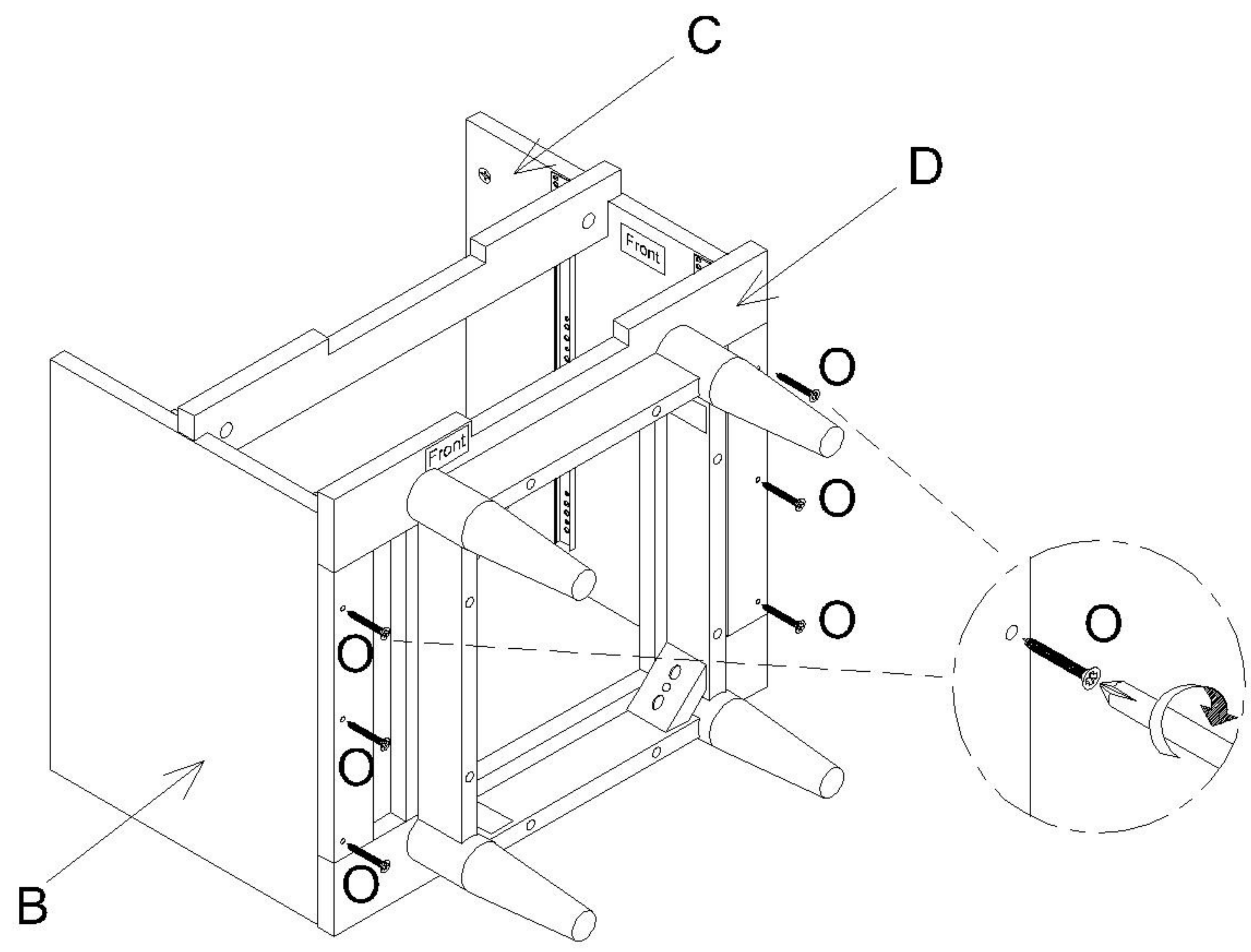
Attach Center Bar (E) to Left & Right Side Panel (B & C) and secure with Cam Lock (Q) attached in the Step 4. Cover Cam Lock (Q) with Cam Lock Cover (U).

NOTE : - Do not over tighten the Cam Lock (Q).



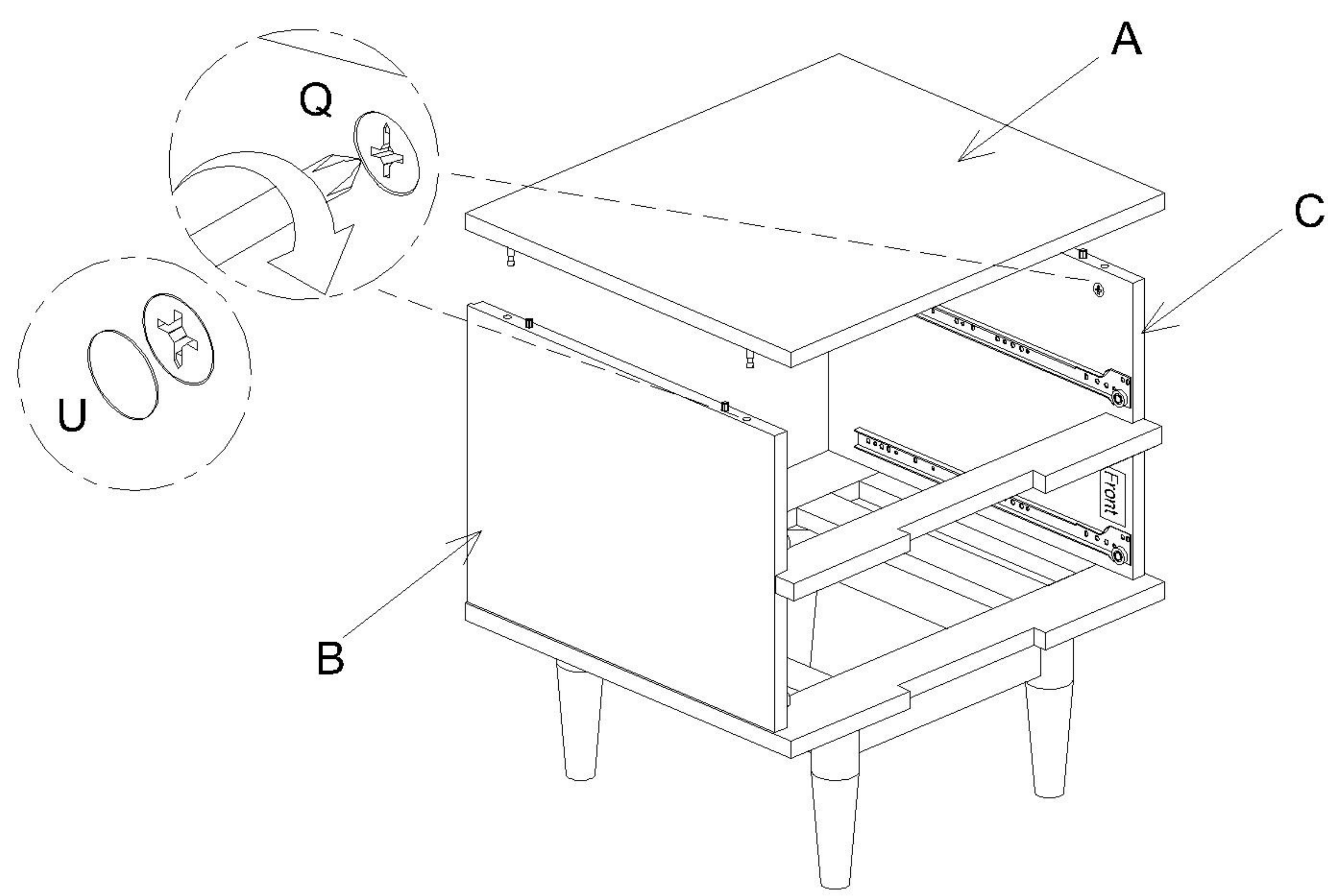
7 Attach Bottom Frame (D) to the assembled unit and secure with Screw (O).

NOTE : - Do not over tighten the Screw (O).



8 Stand the assembled unit up. Attach Top Panel (A) to the assembled unit and secure with Cam Lock (Q) attached in the Step 2. Cover Cam Lock (Q) with Cam Lock Cover (U).

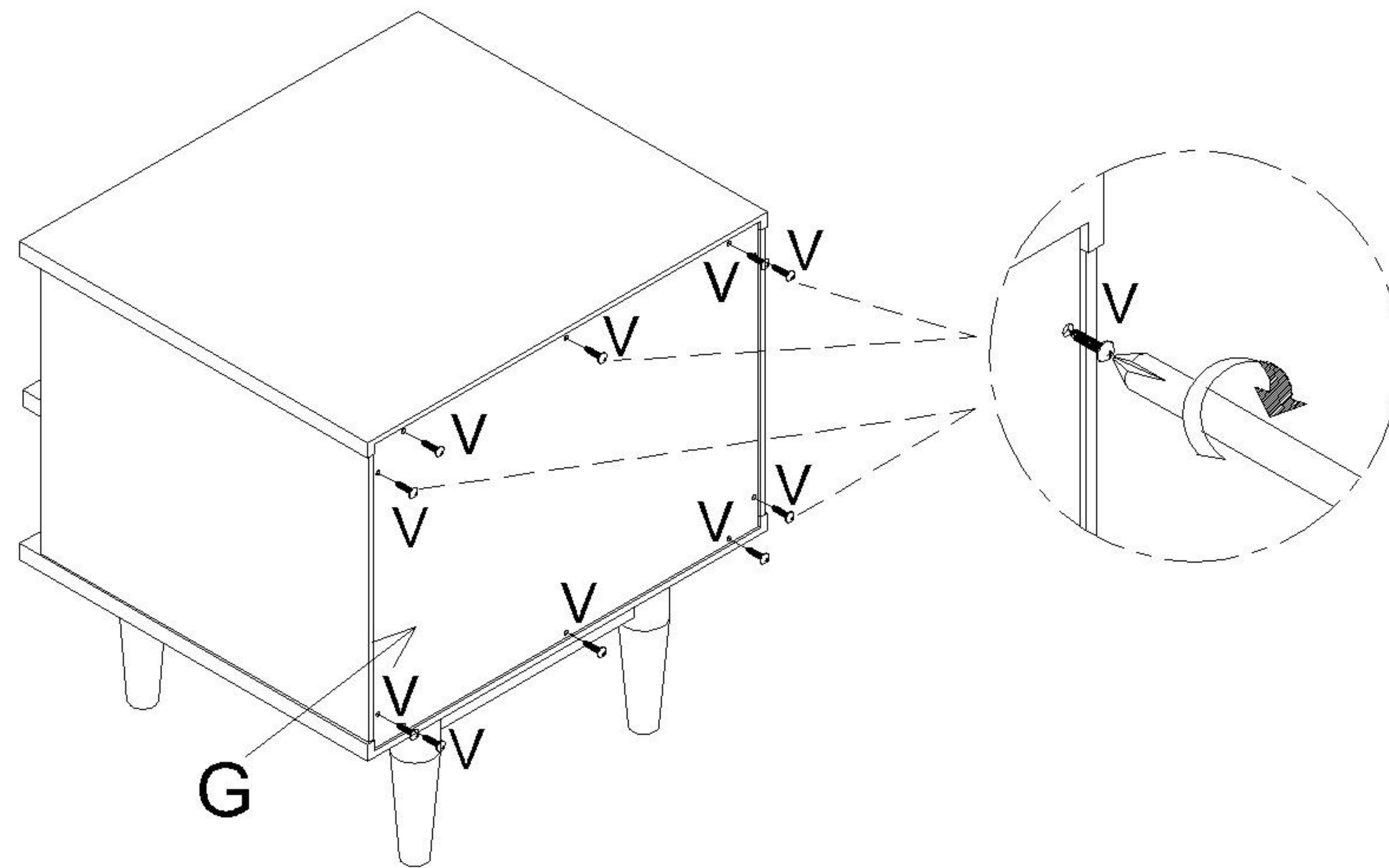
NOTE : - Do not over tighten the Cam Lock (Q).



9

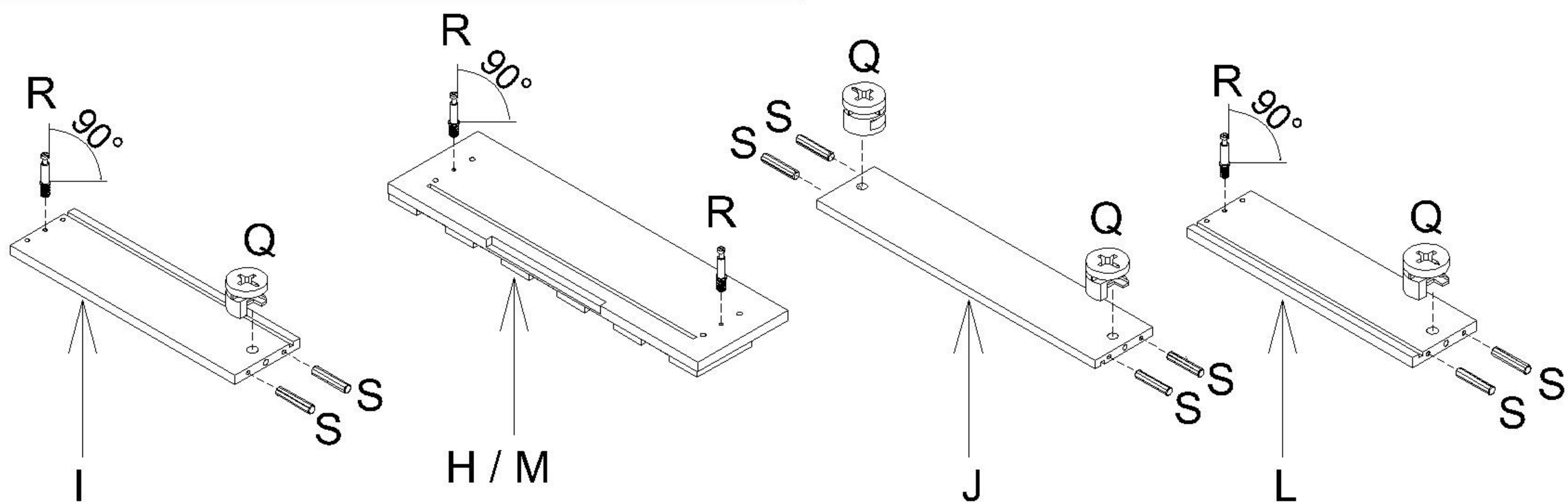
Attach Back Plywood (G) to the assembled unit and secure with Panhead Screw (V).

NOTE : - Do not over tighten the Panhead Screw (V).

**10**

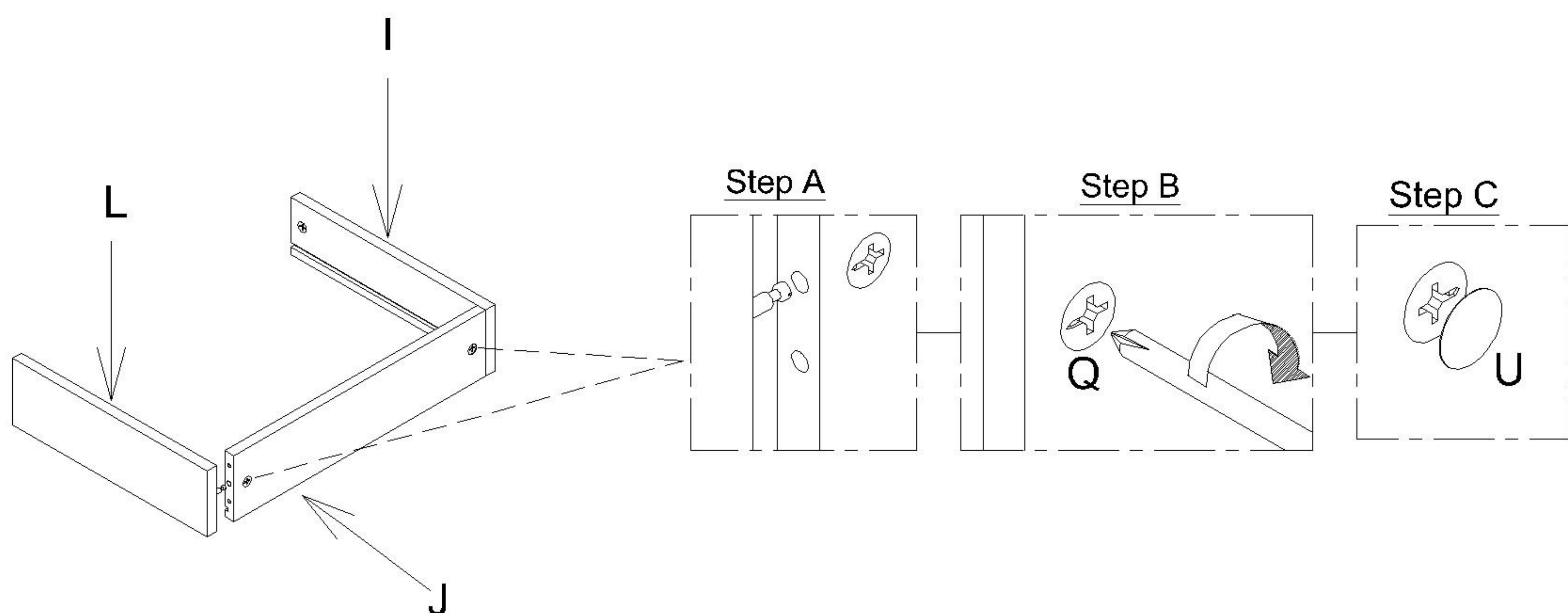
Attach Dowel (S) and Cam Lock (Q) to Left & Right Drawer Side (I & L) and Drawer Back (J). Attach Cam Bolt (R) to Left & Right Drawer Side (I & L) and Top & Bottom Drawer Front (H & M).

NOTE : - Make sure arrows on each Cam Lock (Q) points towards nearest edge with holes.

**11**

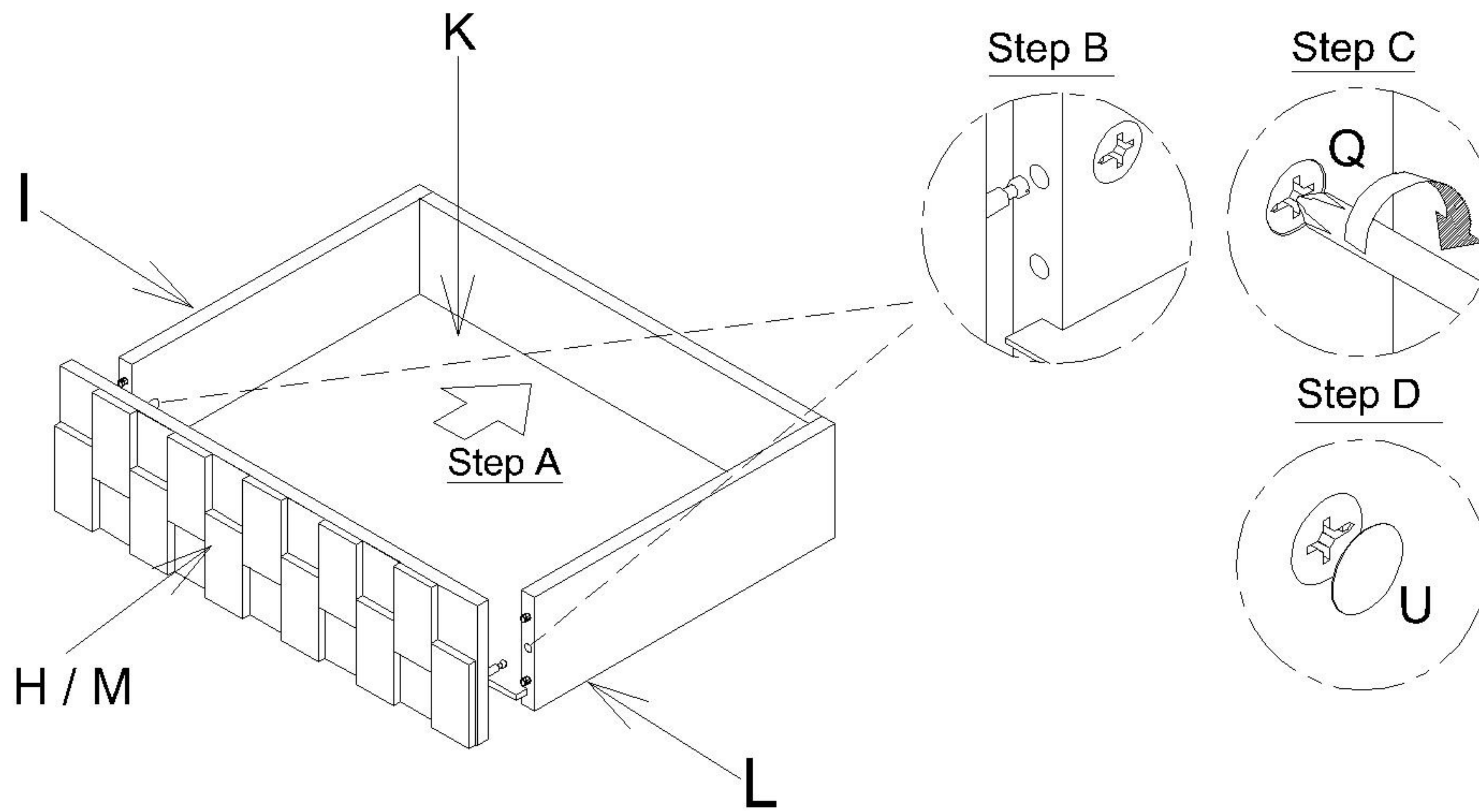
Attach Left & Right Drawer Side (I & L) to Drawer Back (J) and secure with Cam Lock (Q) attached in the Step 10. Cover Cam Lock (Q) with Cam Lock Cover (U).

NOTE : - Do not over tighten the Cam Lock (Q).



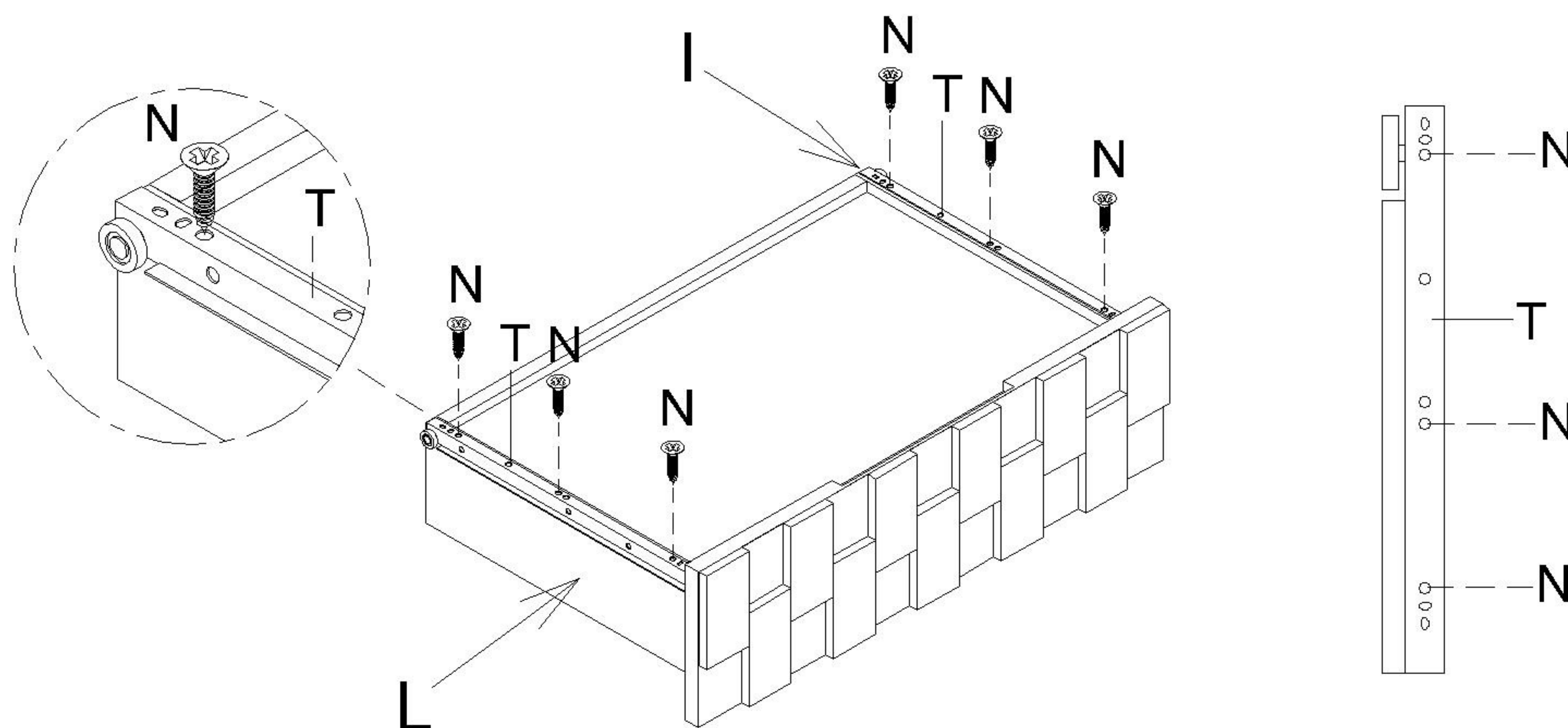
12 Slot Drawer Base (K) into corresponding grooves. Attach Top & Bottom Drawer Front (H & M) to Drawer Box and secure with Cam Lock (Q) attached in the Step 10. Cover Cam Lock (Q) with Cam Lock Cover (U).

NOTE : - Do not over tighten the Cam Lock (Q).

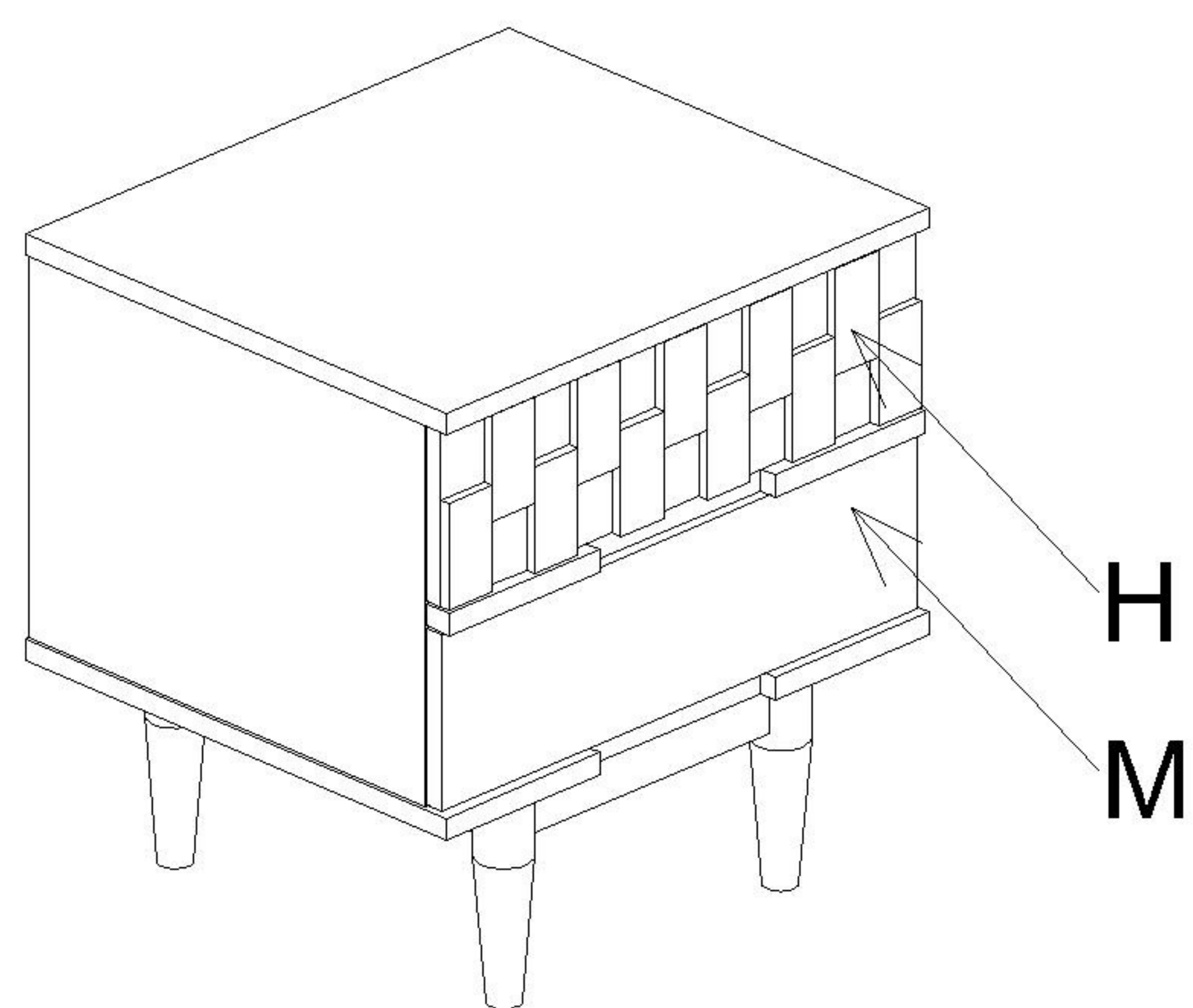


13 Turn over the Drawer Box. Attach Runner (T) to Left & Right Drawer Side (I & L) and secure with Screw (N).

NOTE : - Runner roller should be flush and towards the back of the Drawer Box.



14 Slot the Drawers into the assembled unit.



Cleaning & Care

Treat surface with care. Surface is resistant to scratches but is not scratch resistant. Clean surfaces with a dry or damp soft cloth. Do not use abrasive cleaners. Hardware may loosen over time. Periodically check that all connections are tight.