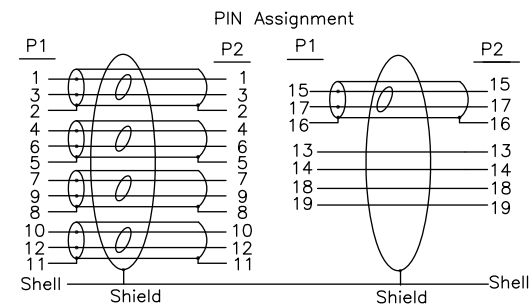


Electrical Test:
 1. 100%Test(Open ,short ,miss wire);
 2. Contact Resistance: 3 ohm(max);
 3. Insulation Resistance: DC 300V/10ms,10M ohm(MIN);
 4. 4K@60Hz



14	nut~H4.75~Nickel plating	2	pcs
13	screw~#4~40UNC~Nickel plating	2	pcs
12	Copper foil~25u~W=20MM	0.18	m
11	TPE~45P~Black	16	g
10	LDPE	6	g
9	DisplayPort F~Clamp	1	pcs
8	DisplayPort F~Connector~Insulator Black~Pin Gold plated~Shell Nickel Plated	1	pcs
7	DisplayPort M~lower Shell~Black~PC+ABS	1	pcs
6	DisplayPort M~upper Shell~Black~PC+ABS	1	pcs
5	DisplayPort M~Clamp	1	pcs
4	DisplayPort M~lower mater cover~Nickel Plated	1	pcs
3	DisplayPort M~upper mater cover~Nickel Plated	1	pcs
2	DisplayPort M~Connector~Insulator Black~Pin Gold plated~Shell Nickel Plated	1	pcs
1	[28AWG(7/0.127TC)+EAM]*5P+28AWG(7/0.127TC)*4C+AEB(16/10/0.12 85%AL)~OD:7.3MM~TPE~jacket colour:black.Jacket printing: DisplayPort Cable E342987 0 允 AWM STYLE 21572 80C 30V VW-1	0.94	mm
NO	DESCRIPTION	Q'TY	UNIT

THIRD ANGLE PROJECTION

GENERAL NOTES
 DIMENSIONS ARE IN MM - DO NOT SCALE

THIS DOCUMENT CONTAINS CONFIDENTIAL, PROPRIETARY INFORMATION THAT IS PROPERTY OF STARTECH.COM

StarTech.com

PRODUCT ID	DPPNLFM3
DESCRIPTION	3ft (91cm) Panel Mount DisplayPort Cable
DO NOT SCALE	SHEET: 1 OF: 1
	UPLOAD DATE: 3/06/2026