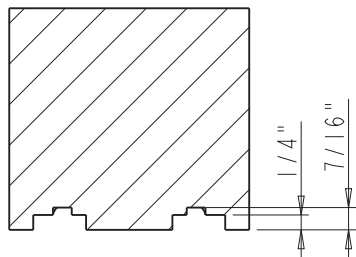
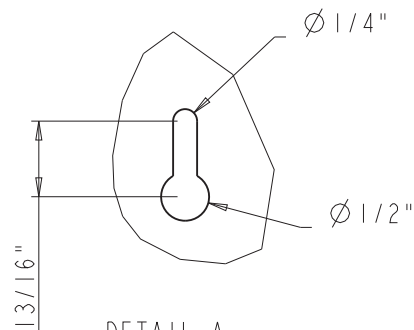


SECTION A-A



SECTION B-B



DETAIL A
SCALE 1:2

hardware resources PROPRIETARY AND CONFIDENTIAL THE INFORMATION CONTAINED IN THIS DRAWING IS THE SOLE PROPERTY OF HARDWARE RESOURCES INC. ANY REPRODUCTION IN PART OR AS A WHOLE WITHOUT THE WRITTEN PERMISSION OF HARDWARE RESOURCES INC. IS PROHIBITED.	ITEM#: COR31-3	MATERIAL:
	FINISH:	WEIGHT: 0.000 g
TOLERANCE UNLESS OTHERWISE SPECIFIED: X ±0.20 XX ±0.10 XXX ±0.05 ANGULAR: ±0.5°	UNITS: A4	PROJECTION:
DO NOT SCALE DRAWING	SIZE: 1 OF 1	DATE: 09-26-14
	APPROVED BY: <i>Hugo Cal</i>	REVISION:
	RELEASE LEVEL:	