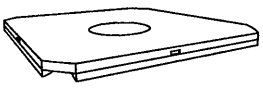
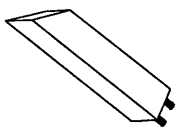
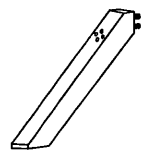

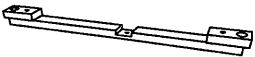


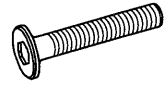

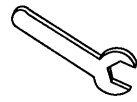
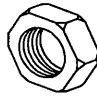



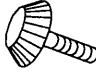

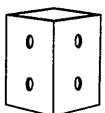
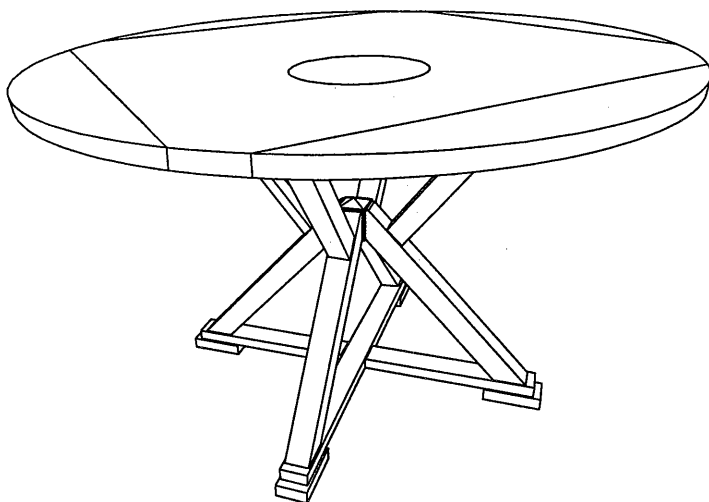


ASSEMBLY INSTRUCTION

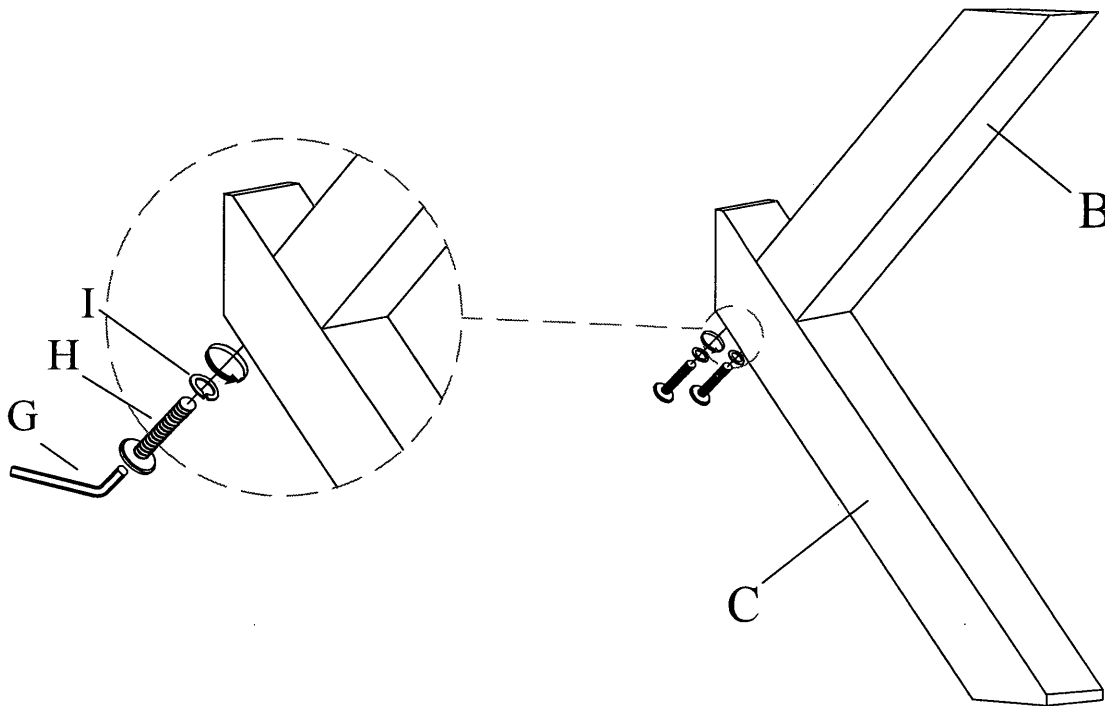
DINING TABLE 46"-60" WITH LEAF

A TABLE TOP WITH LEAF  1 PC	B UPPER BASE  4 PCS	C BOTTOM BASE  4 PCS	D BOTTOM BAR  1 PC
E UPPER BAR  1 PC	F SLAT SUPPORT  4 PCS	G ALLEN WRENCH M4 x 100MM  1 PC	H JCBC BOLT M6 x 70MM  12 PCS
I SPRING WASHER M6  12 PCS	J SPANNER 13MM  1 PC	K HEX NUT M8  8 PCS	L SPRING WASHER M8  8 PCS
M FLAT WASHER M8  8 PCS	N WAFERHEAD SCREW M4 x 25MM  25 PCS	O LEVELER M6 x 23MM  4 PCS	P WOOD CAP  1 PC
Q METAL BARREL  1 PC			

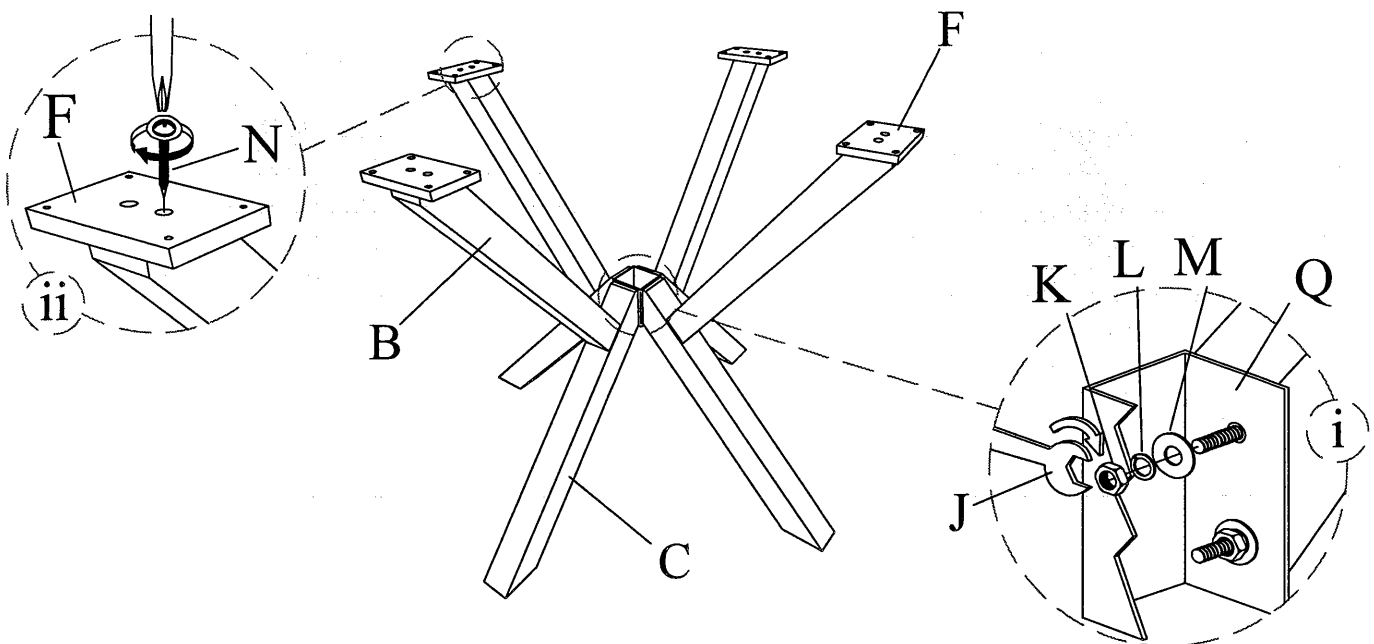


This page lists all the contents included in the box. Please take the time to identify the hardware as well as the individual components to this product. As you unpack and prepare for assembly, place the contents on a carpeted or padded area to protect them from damage.

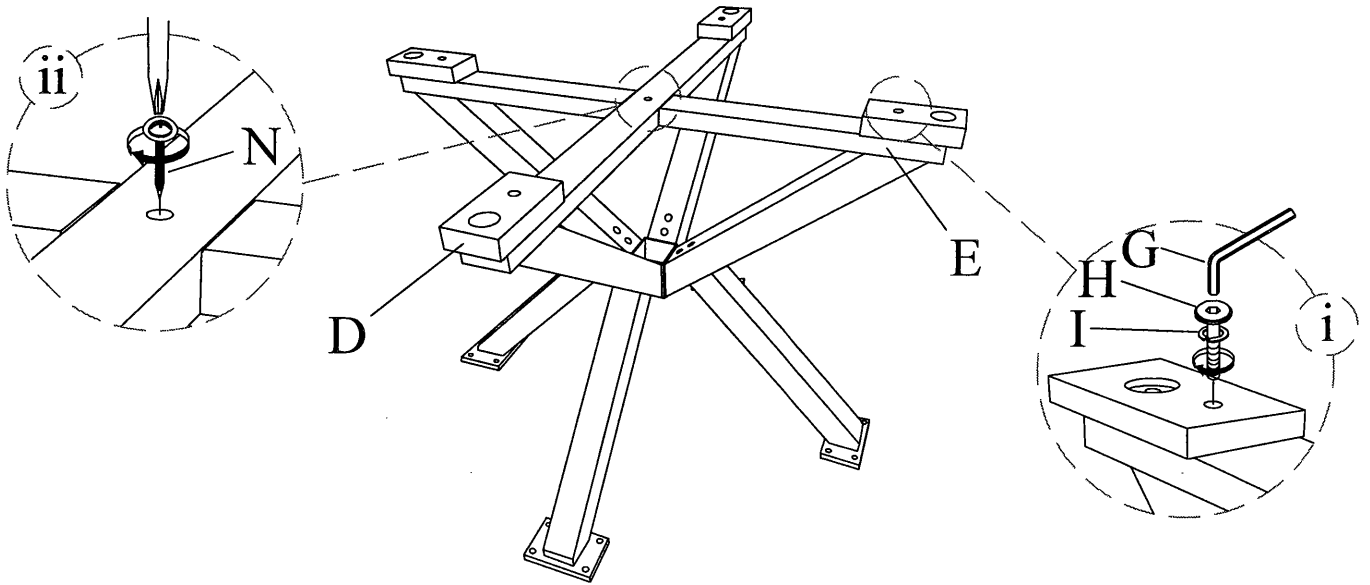
- 1** Using the bottom wood dowel as a guide, align and attach one Upper Base (B) to the Bottom Base (C) using JCBC Bolt (H), Spring Washer (I) and tighten with Allen Wrench (G).



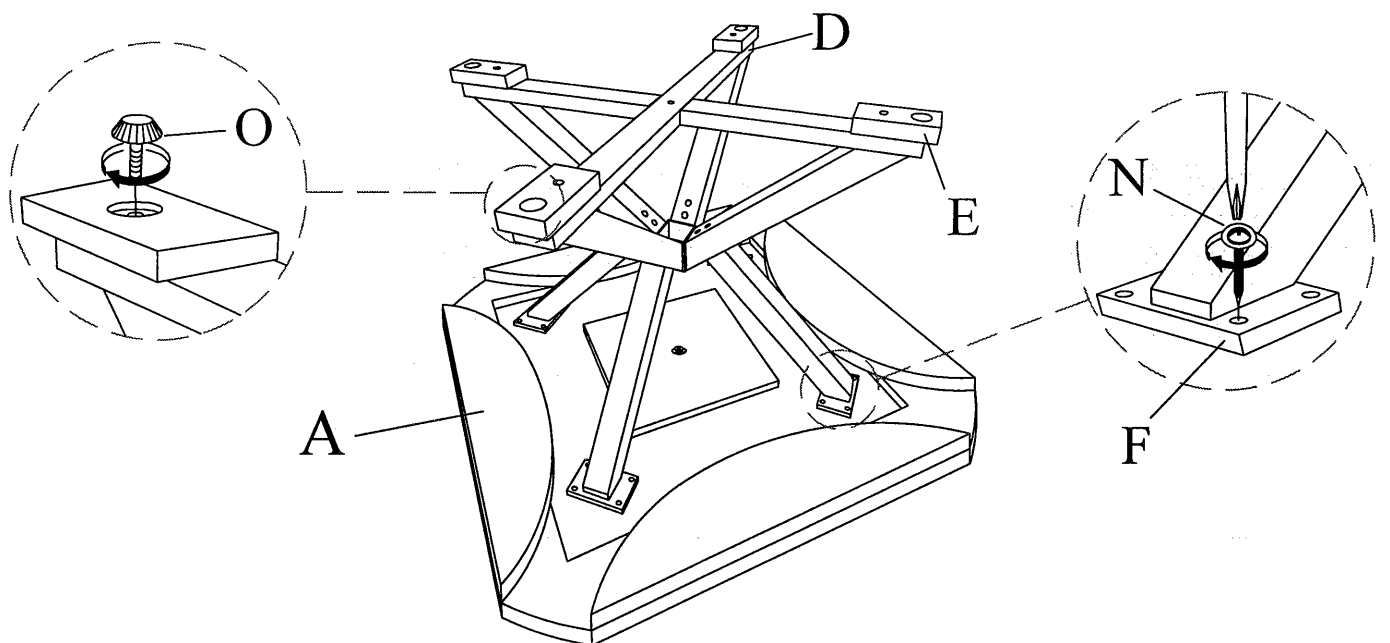
- 2** (i) Attach last assemblies to the Metal Barrel (Q) by using Hex Nut (K), Spring Washer (L) and Flat Washer (M). Please tighten the Hex Nut (K) using Spanner (J). Please make sure the leg is aligned with Metal Barrel (Q).
(ii) Attach Slat Support (F) to the top of the Upper Base (B) using Waferhead Screw (N). Make sure it is centred properly and tighten with screw driver (not provided).



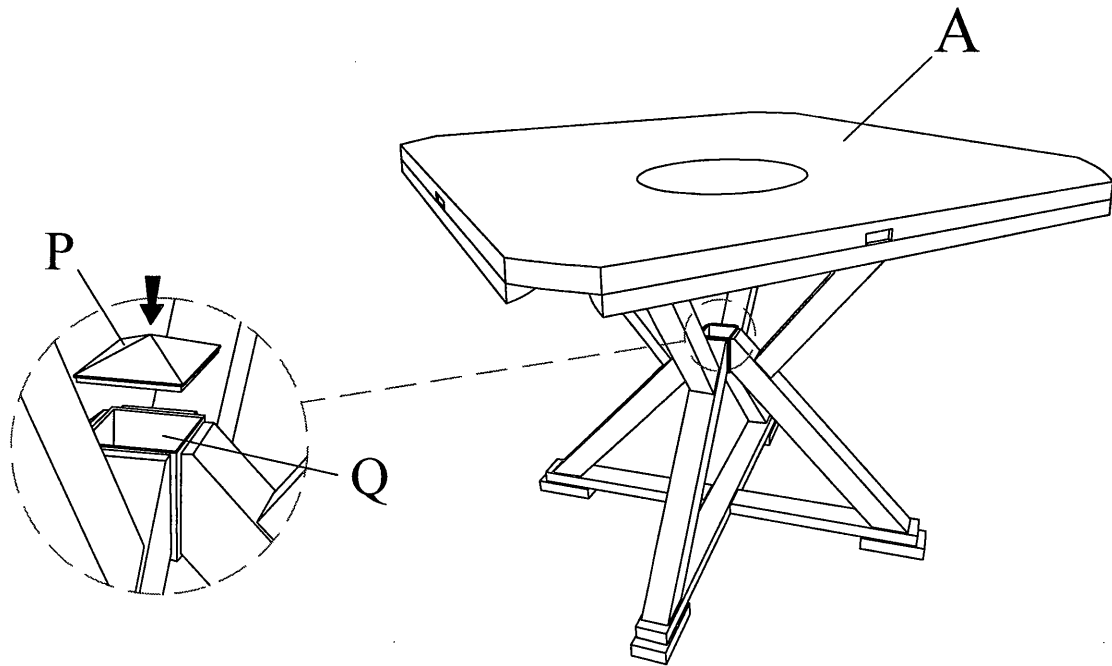
- 3** (i) Align and fasten Bottom Bar (D) and Upper Bar (E) to table leg using JCBC Bolt (H) and Spring Washer (I). Tighten with Allen Wrench (G). Do not tighten the bolt until all bolts are attached.
(ii) Attach Upper Bar (E) and Bottom Bar (D) by using Waferhead Screw (N) and tighten with screw driver (not provided).
**** Do not fully tighten all the bolts at this step.**



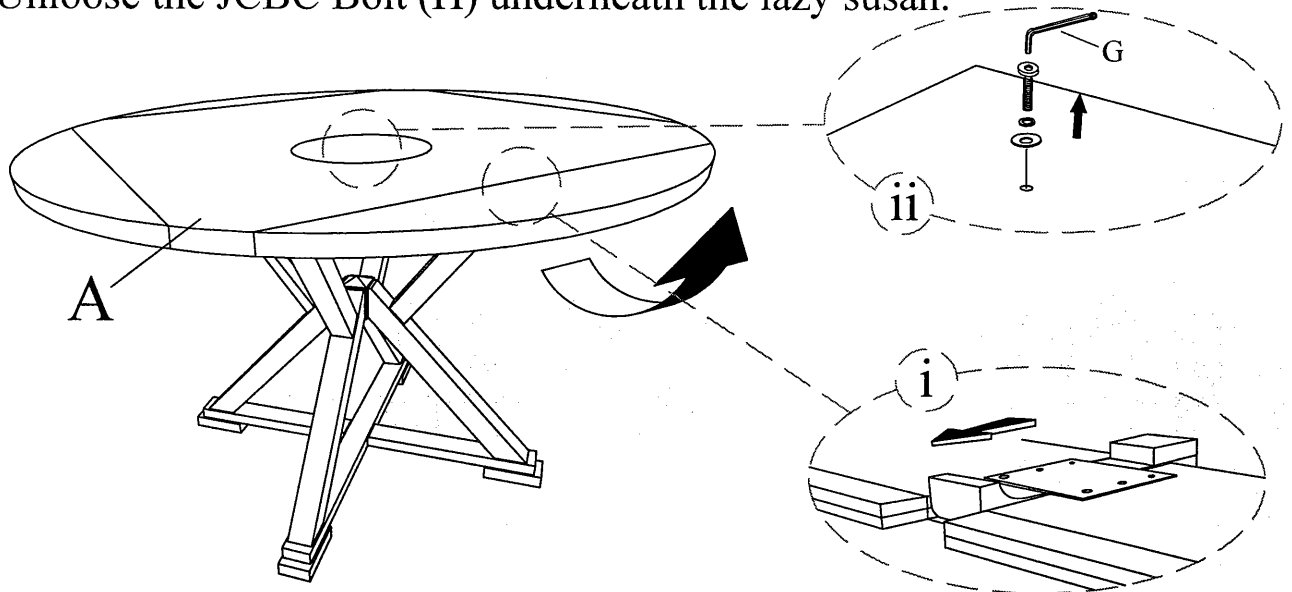
- 4** Place Table Top (A) upside down on soft surface. Align and fasten Slat Support (F) to the marking on Table Top (A) by using Waferhead Screw (N) and tighten with screw driver (not provided). Screw in the Leveler (O) into the Bottom Bar (D) and Upper Bar (E).
**** Fully tighten all the bolts at this step.**



5 Cover the Metal Barrel (Q) by inserting the Wood Cap (P). Stand table up on the flat surface and check that it is balanced. If there is slight wobble, please adjust the leveler.



6 (i) Lift up the leaf and pull out the wood support which underneath of table top till fixed and tight.
(ii) Unloose the JCBC Bolt (H) underneath the lazy susan.



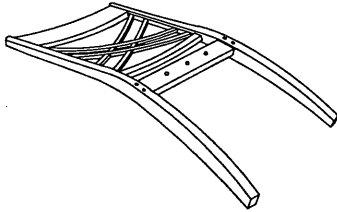
Cleaning & Care

Treat Surface with care. Surface is resistant to scratches but is not scratch resistant. Clean surface with a dry or damp soft cloth. Do not use abrasive cleaners. Hardware may loosen over time. Periodically check that all connections are tight.

ASSEMBLY INSTRUCTION

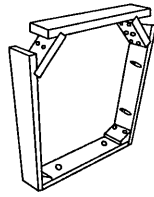
DINING CHAIR

A CHAIR BACK



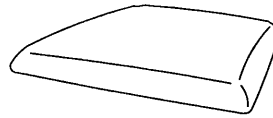
1 PC

B BOX FRAME



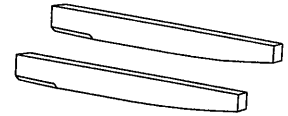
1 PC

C CUSHION SEAT



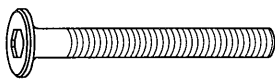
1 PC

D FRONT LEG
(LEFT - RIGHT)



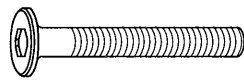
2 PCS

E JCBC BOLT
M6 x 70MM



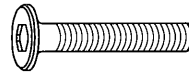
4 PCS

F JCBC BOLT
M6 x 60MM



4 PCS

G JCBC BOLT
M6 x 40MM



2 PCS

H LOCK WASHER
M6



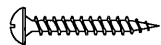
10 PCS

I FLAT WASHER
M6 x 16MM x 2.0MM



10 PCS

J PAN HEAD SCREW
M4 x 25MM

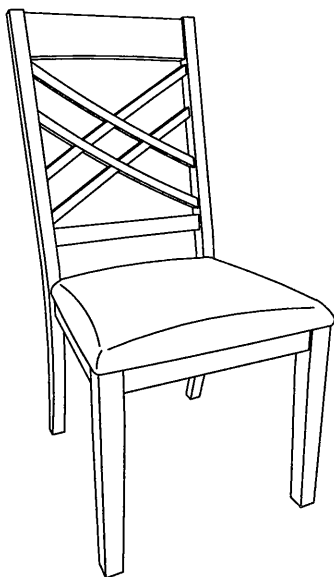


5 PCS

K ALLEN WRENCH
M4 x 100MM

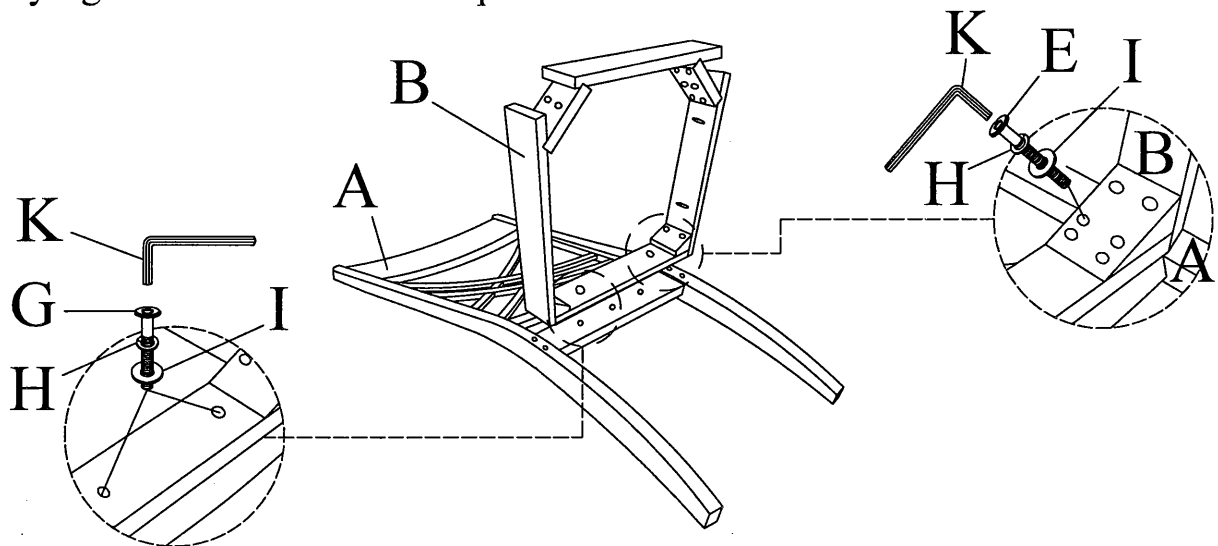


1 PC



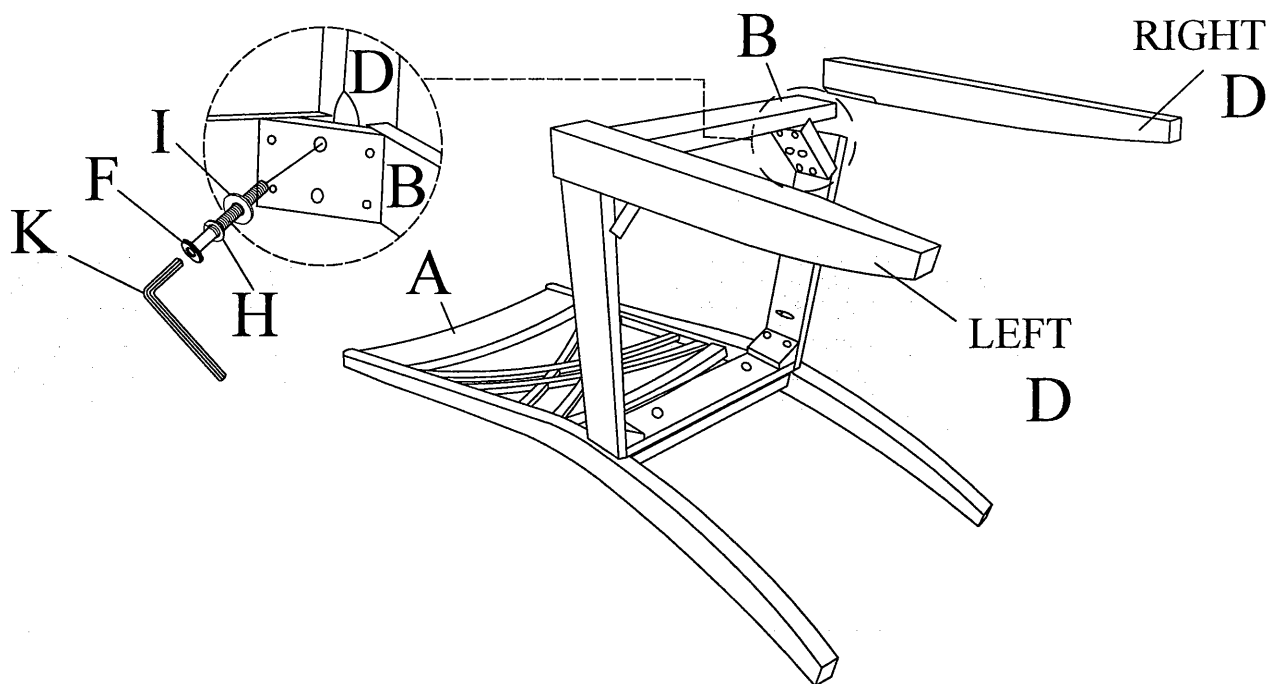
This page lists all the contents included in the box. Please take the time to identify the hardware as well as the individual components to this product. As you unpack and prepare for assembly, place the contents on a carpeted or padded area to protect them from damage.

- 1** Put the Chair Back (A), Box Frame (B) upside down on the soft and smooth surface. Attach Box Frame (B) onto Chair Back (A). Then insert JCBC Bolt (E), Lock Washer (H) and Flat Washer (I) into predrilled holes of each corner by using Allen Key (K). Insert JCBC Bolt (G), Lock Washer (H) and Flat Washer (I) into the predrilled holes of the middle of Chair Back (A) by using Allen Key (K). Do not fully tighten the bolts in this step.

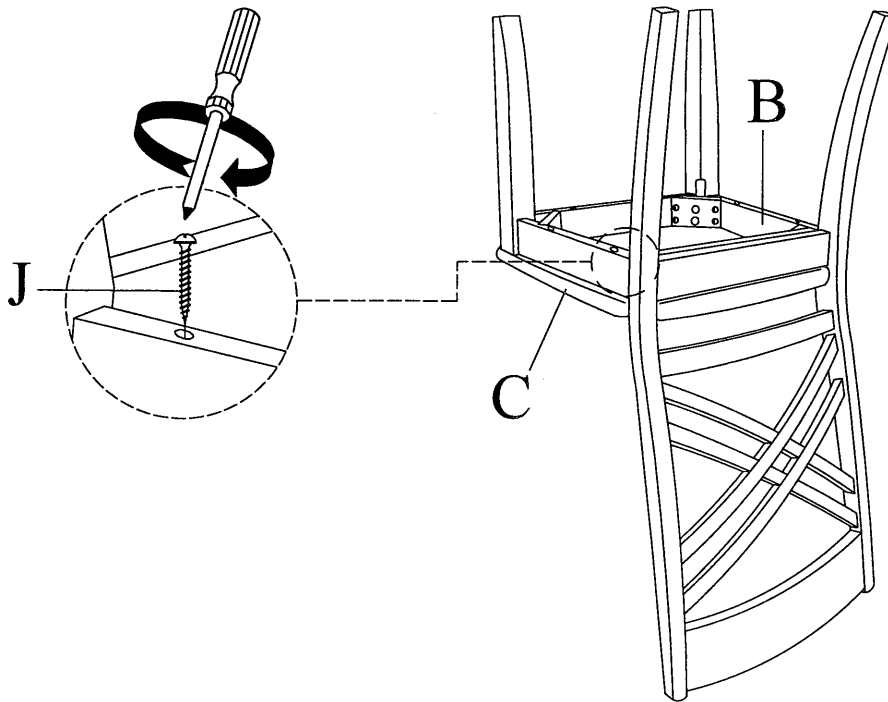


Take the Allen Wrench, and turn the bolts until the legs are secure.
DO NOT TIGHTEN COMPLETELY.
Stop when you feel you are adding force to tighten the bolt.

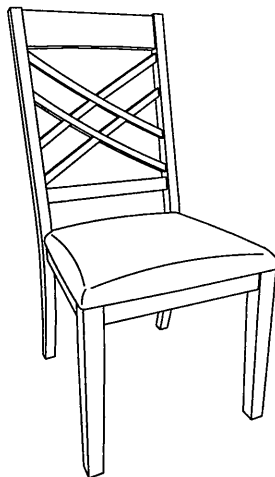
- 2** Attach Front Leg (D) assembly to corner of Box Frame (B) with inserting Flat Washer (I), Lock Washer (H) and JCBC Bolt (F) using Allen Key (K).



-
- 3** Attach Cushion Seat (C) to Box Frame (B) with Pan Head Screw (J) by using Screwdriver (not included). Tighten all screws in this step.



-
- 4** Stand chair up on an even surface and check that it is balanced. If there is a slight wobble, apply downward pressure in the corner where a leg is uneven. Keeping pressure in that corner, tighten all bolts. If balanced, apply downward pressure evenly in the center and tighten all bolts. Do not over-tighten beyond hole depth.



Helpful Tip: Instead of applying downward pressure while reaching under to tighten bolts, have someone sit on the chair while you tighten the bolts.

Cleaning & Care

Treat Surface with care. Surface is resistant to scratches but is not scratch resistant. Clean surface with a dry or damp soft cloth. Do not use abrasive cleaners. Hardware may loosen over time. Periodically check that all connections are tight.