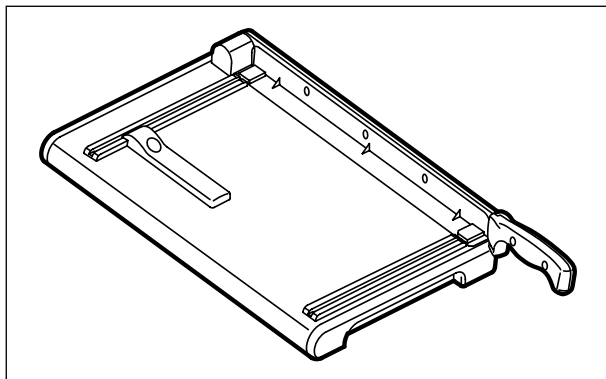
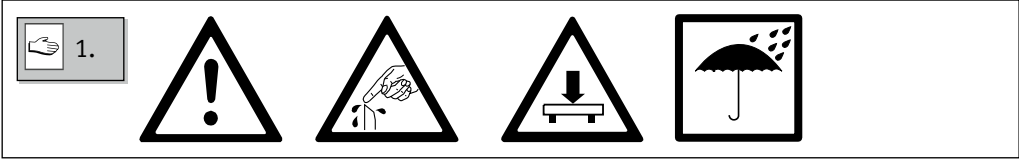

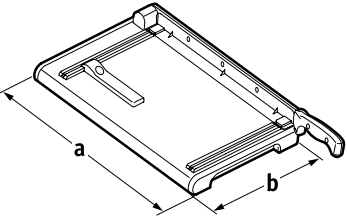

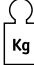
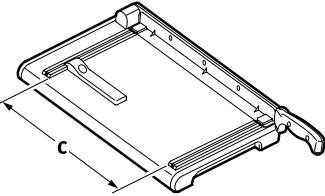
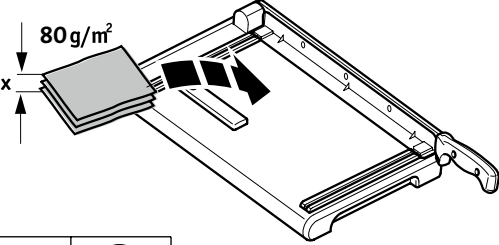

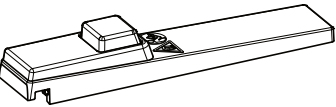
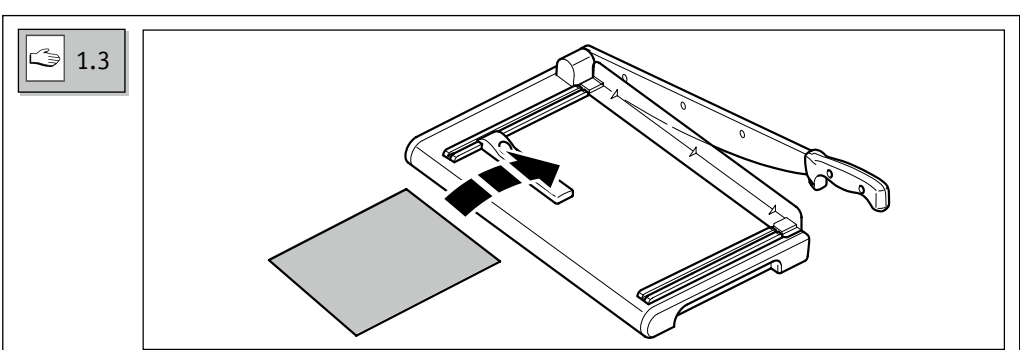
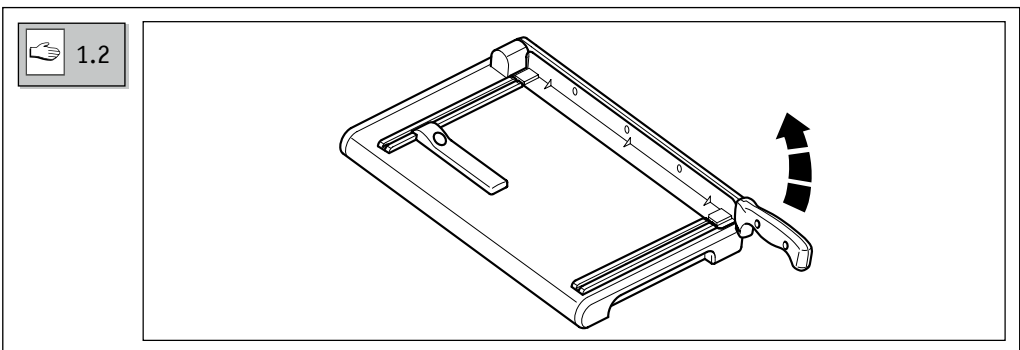
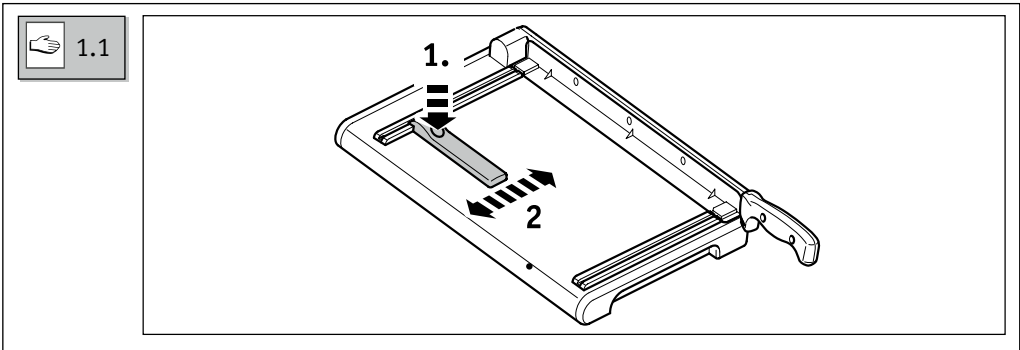
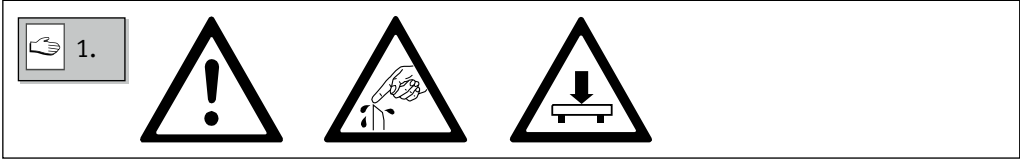


533
534



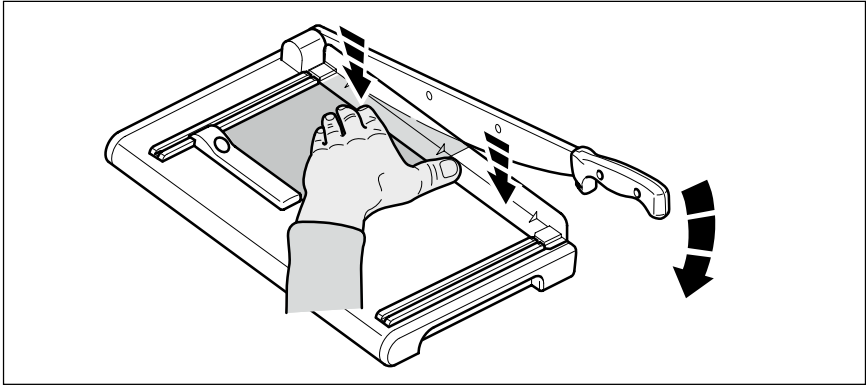


 1.1	533	534
	a = 450 mm 17 3/4" b = 285 mm 11 1/4"  = 3,8 kg 8.5 lbs.	a = 575 mm 22 3/4" b = 285 mm 11 1/4"  = 4,9 kg 11 lbs.
	c = 340 mm 13 3/8"	c = 466 mm 18"
		
x = 1,5 mm		
	00613-17229	

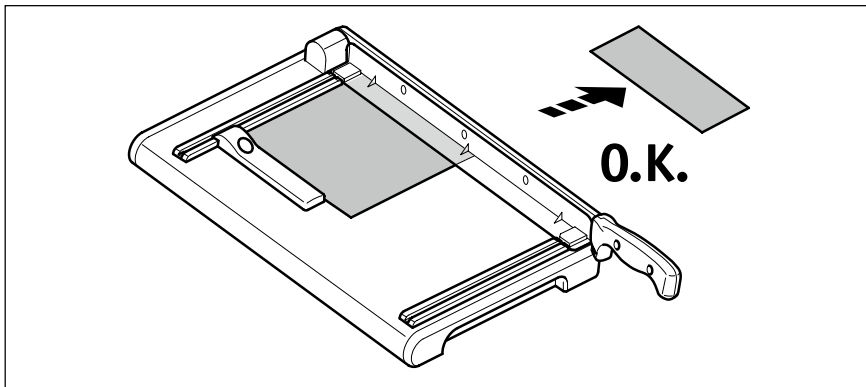


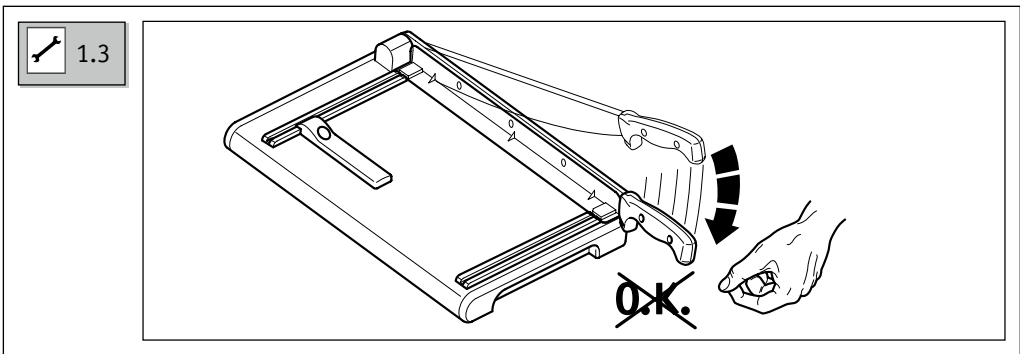
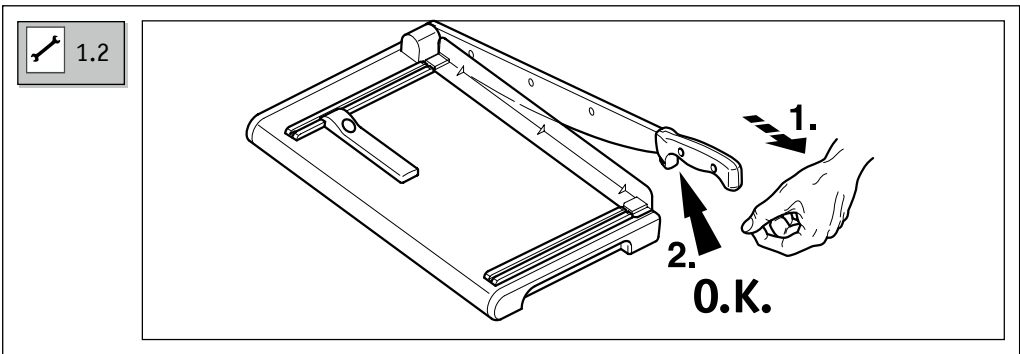
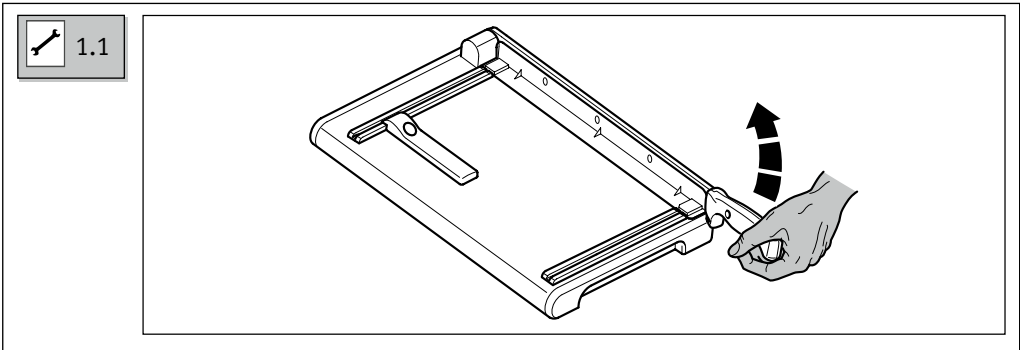
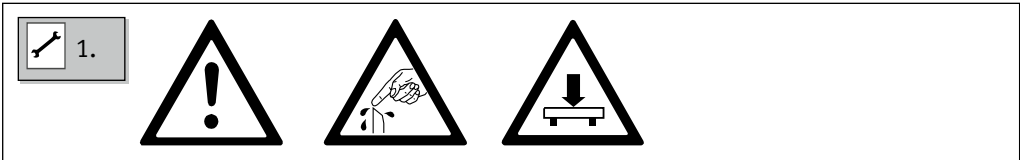


 1.4



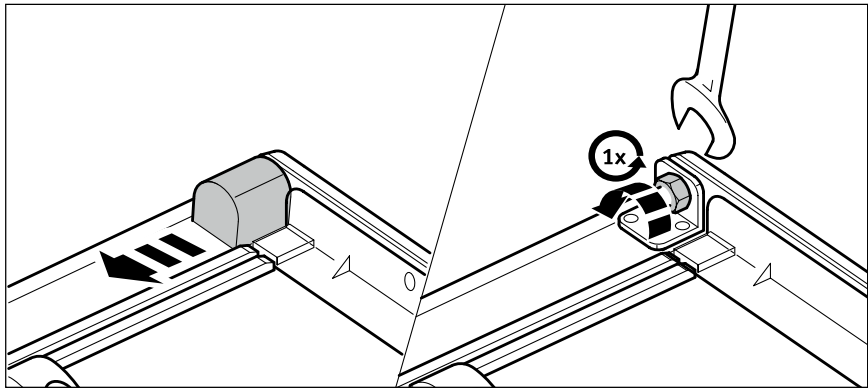
 1.5




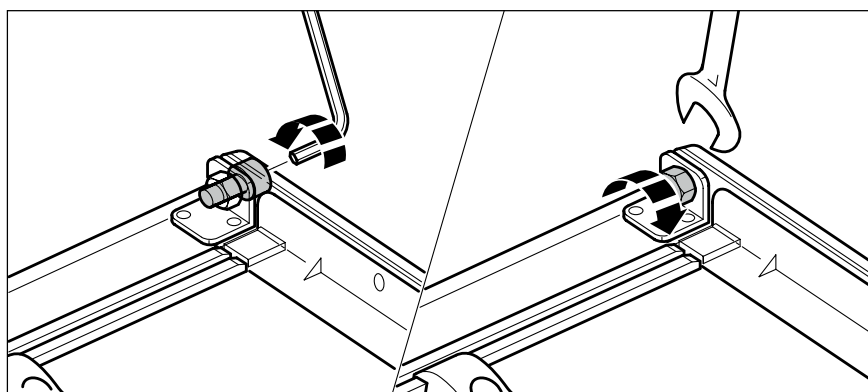





 1.4



 1.5



 1.6

