

6.0 Gallon Rectangular Tight Head with Swing Handle

Product Uses

Liquid Products

Product Codes

Container: **RTH Series**

Description: 6.0G Rectangular Tighthead

Features

UN Rating: 3H1/Y1.8/100

Nominal capacity: 6.0 USG / 22.7L

Maximum capacity: 6.4 USG / 24.1 L

Tare weights: 3.0 lbs / 1.36 kgs

Colors

Standard: White, Black, Blue and Natural

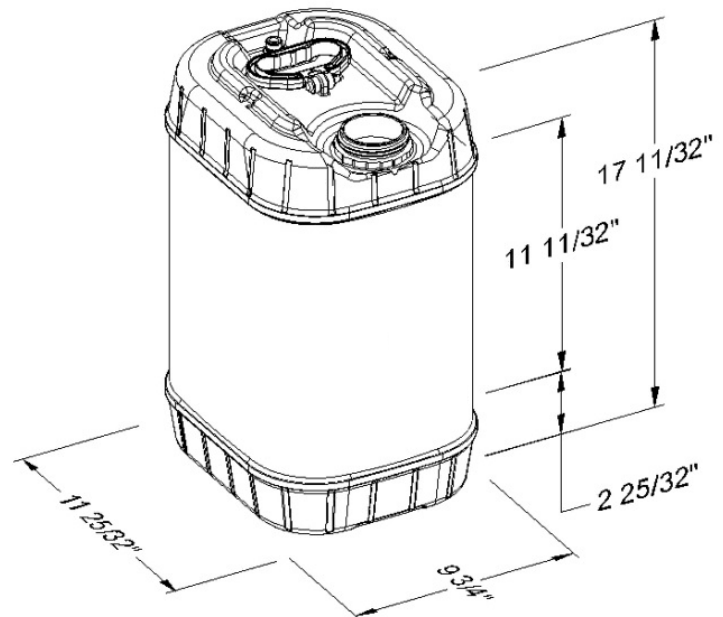
Custom: Available at manufacturer's discretion

Decorating Options

Maximum Label Area:

Perimeter: 38-1/4" x 11-3/32" H

See Salesperson for Options



Shipping Data

Qty. per floor spot:

Gross Weight (lbs./kgs)*:

Length (in./cm.):

Width (in./cm.):

Height (in./cm.):

Containers

80

240 / 111

48 / 121

35.3 / 90

91 / 230

Filled Containers

Refer to BWAY document # ETS-CD-1002

for storage and shipping recommendations.

Estimated truckload quantity of 2,400 containers**

Notes: *Weight does not include pallet / packaging

**Truckload quantity based on 53' trailer

Materials

FDA approved materials

Resin: Body: High-Density Polyethylene (HDPE)

Handle/Pin: High-Density Polyethylene (HDPE)

MSDS Sheets available upon request

Optional Carrying Handle

Swing Handle with Pin

DISTRIBUTED BY:



REF NO.:

DWG30221

DESCRIPTION:

6 Gallon HDPE Rectangular TH Pail, UN Rated

DISCLAIMER

THIS INFORMATION IS PROVIDED AS A GENERAL GUIDE, INCLUDING DIMENSIONS. IT IS THE CUSTOMER'S RESPONSIBILITIES TO SELECT THE PROPER CONTAINER FOR PRODUCT AND APPLICATION COMPATIBILITY.