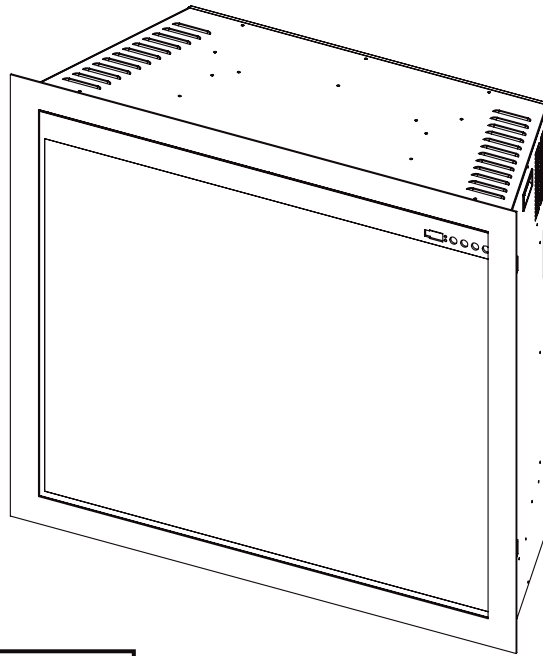




INSTALLATION AND OPERATION MANUAL

Elevation Electric Fireplace Series (NEFB36H-MF Illustrated)



SAFETY INFORMATION

⚠ WARNING

FIRE OR EXPLOSION HAZARD

If the information in these instructions are not followed exactly, a fire or explosion may result causing property damage, personal injury, or loss of life.

- * Do not store or use gasoline or other flammable vapors and liquids in the vicinity of this or any other appliance.

INSTALLER:

Leave this manual with the appliance.

CONSUMER:

Retain this manual for future reference.

To register your appliance, scan here.



FOR INDOOR USE ONLY

CERTIFIED TO THE CANADIAN AND AMERICAN NATIONAL STANDARDS:
CSA 22.2 NO. 46 / UL 2021

APPLY SERIAL NUMBER LABEL FROM CARTON



WARNING

- **If equipped with a heater, this appliance can be hot when operated and can cause severe burns if contacted.**
- Do not operate appliance before reading and understanding operating instructions. Failure to operate appliance according to operating instructions could cause fire or injury.
- Do not install damaged, incomplete or substitute components.
- Do not burn wood or other materials in this appliance.
- All electric appliances have hot and arcing or sparking parts inside. Do not use it in areas where a gas line, paint or flammable liquids are present.
- Any safety screen or guard removed for servicing must be replaced prior to operating the appliance.
- It is imperative that the control compartments, circulating blower and its passageway in the appliance are kept clean. The appliance should be inspected before use and at least annually by a qualified service person. More frequent cleaning may be required due to excessive lint from carpeting, bedding material, etc. The appliance area must be kept clear and free from combustible materials, gasoline and other flammable vapors and liquids.
- Under no circumstances should this appliance be modified.
- Do not use this appliance if any part has been under water. Immediately call a qualified service technician to inspect the appliance and to replace any part of the control system which has been under water.
- If equipped with a glass door, do not operate the appliance with the glass door removed, cracked or broken. Replacement of the glass should be done by a licensed or qualified service person. Do not strike or slam shut the appliance glass door.
- Keep the packaging material out of reach of children and dispose of the material in a safe manner. As with all plastic bags, these are not toys and should be kept away from children and infants.
- Servicing should be done only while the appliance is disconnected from the power supply circuit.
- Always unplug appliance when not in use.
- Do not operate this appliance with a damaged cord or plug after the appliance malfunctions, has been dropped or damaged in any manner. Return appliance to authorized service facility for examination, electrical or mechanical adjustment, or repair.
- Do not use outdoors.
- When installing this appliance in a room where water is present, the installation must comply with codes recognizing the increased hazard of electrical shock and electrocution.

note:

This appliance is NOT suitable for installation in a bathroom.


- Do not run cord under carpeting. Do not cover cord with throw rugs, runners, or the like. Arrange cord away from traffic area and where it will not be tripped over.
- Connect to properly grounded outlets only.
- Do not insert or allow foreign objects to enter any ventilation or exhaust opening as this may cause an electric shock or fire, or damage the appliance.
- It is normal for your electric appliance to produce noise, especially when installed in a quiet space such as a bedroom.

WARNING

- To prevent a possible fire, do not block air intakes or exhaust in any manner. Do not use on soft surfaces, like a carpet, where openings may become blocked.
- Always plug appliances directly into a wall outlet/receptacle. Never use an extension cord or relocate cable power tap (outlet/power strip).
- These appliances are tested and listed for use only with the optional accessories listed in these instructions. Use of optional accessories not specifically tested for this appliance could void the warranty and/or result in a safety hazard.

For appliances equipped with a heater:

- Risk of burns. Power to the appliance should be turned off and the appliance allowed to cool before servicing. To disconnect power to the appliance, turn controls to off, then remove plug from outlet.
- Young children should be carefully supervised when they are in the same room as the appliance. Toddlers, young children and others may be susceptible to accidental contact burns. A physical barrier is recommended if there are at risk individuals in the house. To restrict access to an appliance or stove, install an adjustable safety gate to keep toddlers, young children and other at risk individuals out of the room and away from hot surfaces.
- Clothing or other flammable material should not be placed on or near the appliance.
- Due to high temperatures, the appliance should be located out of traffic and away from furniture and draperies.
- Ensure you have incorporated adequate safety measure to protect infants/toddlers from touching hot surfaces.
- Even after the appliance is off, the glass and/or screen will remain hot for an extended period of time.
- Check with your local hearth specialty dealer for safety screens and hearth guards to protect children from hot surfaces. These screens and guards must be fastened to the floor.
- Ensure clearances to combustibles are maintained when building a mantel or shelves above the appliance. Elevated temperatures on the wall or in the air above the appliance can cause melting, discolouration or damage to decorations, a TV or other electronic components.

 **WARNING: This product can expose you to chemicals including lead and lead compounds, which are known to the State of California to cause cancer, and chemicals including BBP and DEHP, which are known to the State of California to cause birth defects or other reproductive harm. For more information, go to www.P65Warnings.ca.gov**

This device complies with Part 15 of the FCC Rules. Operation is subject to the following two conditions:
1) The device may not cause harmful interference;
and 2) the device must accept any interference received, including interference that may cause undesired operation.

Changes or modifications not expressly approved by the party responsible for compliance could void the user's authority to operate the equipment.

NOTE: This equipment has been tested and found to comply with the limits for a Class B digital device, pursuant to Part 15 of the FCC Rules. These limits are designed to provide reasonable protection against harmful interference in a residential installation. This equipment generates, uses, and can radiate radio frequency energy and, if not installed and used in accordance with the instructions, may cause harmful interference to radio communications. However, there

is no guarantee that interference will not occur in a particular installation.

If this equipment does cause harmful interference to radio or television reception which can be determined by turning the equipment off and on, the user is encouraged to try to correct the interference by one or more of the following measures:

- Reorient or relocate the receiving antenna.
- Increase the separation between the equipment and receiver
- Connect the equipment into an outlet on a circuit different from that to which the receiver is connected.
- Consult the dealer or an experienced radio/TV technician for help.

NOTE: This device and its antenna(s) must not be co-located or operated in conjunction with any other antenna or transmitter.

| | |
|-------------------------------------------------|-----------|
| 1.0 general information | 5 |
| 1.1 dimensions | 5 |
| 1.2 listing approvals | 6 |
| 1.3 general instructions | 6 |
| 1.4 unpacking and testing the appliance | 7 |
| 1.5 hardware list | 8 |
| 1.6 rating plate information | 8 |
| 1.7 label location | 9 |
| 2.0 installation overview | 10 |
| 2.1 minimum clearance to combustibles | 10 |
| 2.2 minimum mantel clearances | 11 |
| 2.3 rough framing | 11 |
| 2.4 appliance installation and finishing | 13 |
| 3.0 electrical information | 15 |
| 3.1 120 V hard-wiring installation | 16 |
| 3.2 240 V hard-wiring | 17 |
| 3.3 optional wall-mount controller installation | 17 |
| 4.0 wiring diagram | 18 |
| 4.1 NEFB36H-MF wiring diagram | 18 |
| 4.2 NEFB42H-MF wiring diagram | 19 |
| 5.0 operation | 20 |
| 5.1 operating control panel | 20 |
| 5.2 operating remote control | 21 |
| 5.3 operating wall mount controller | 24 |
| 6.0 Napoleon® connectivity | 25 |
| 6.1 connecting to the app | 26 |
| 6.2 using the app | 28 |
| 6.2.1 power setting | 28 |
| 6.2.2 heat setting | 28 |
| 6.2.3 ember bed setting | 29 |
| 6.2.4 flame setting | 29 |
| 6.2.5 accessory lights settings | 30 |
| 6.2.6 timer settings | 30 |
| 7.0 maintenance | 31 |
| 7.1 cleaning | 31 |
| 7.2 heater lockout switch | 31 |
| 8.0 replacement parts | 32 |
| 8.1 NEFB36H-MF/ NEFB42H-MF | 33 |
| 9.0 troubleshooting | 35 |
| 10.0 warranty | 37 |

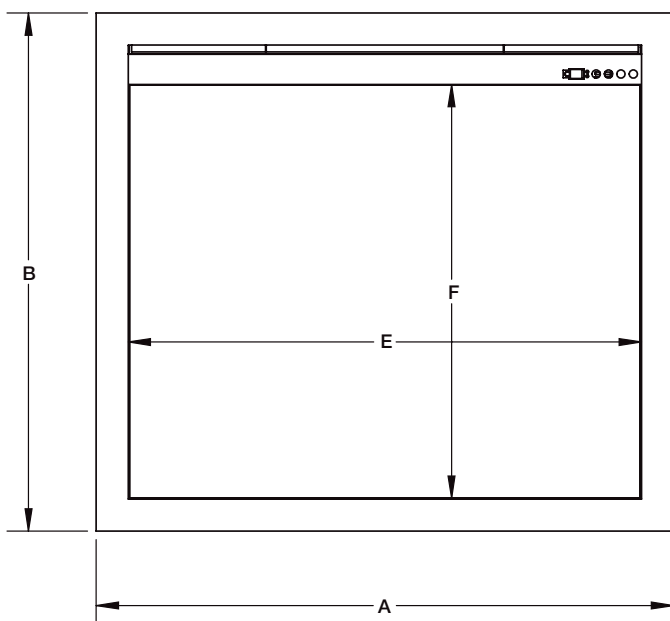
note:

The information throughout this manual is believed to be correct at the time of printing. Wolf Steel Ltd. reserves the right to change or modify any information within this manual at any time without notice. Changes, other than editorial, are denoted by a vertical line in the margin.

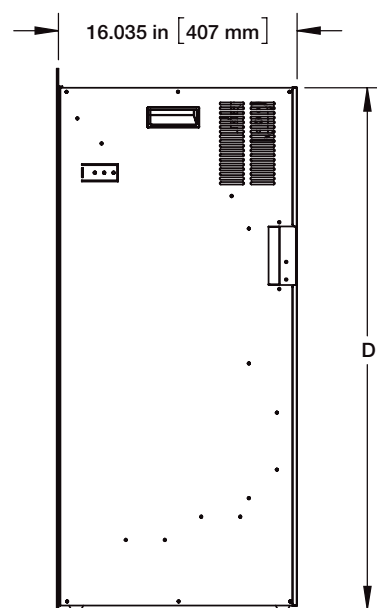
1.0 general information

1.1 dimensions

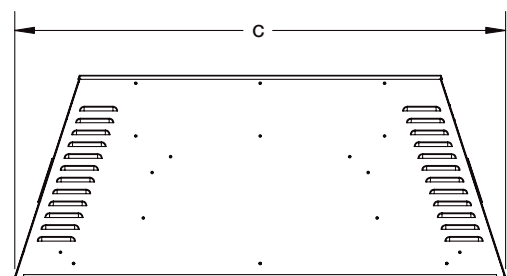
Front view



Side view



Top view



| Dimensions | | | | | | |
|------------|-------------------------------|--------------------------------|---------------------------------|--------------------------|-----------------------|------------------------|
| Model No. | A Decorative Trim Width | B Decorative Trim Height | C Appliance outside width | D Appliance Height | E Viewing Width | F Viewing Height |
| NEFB36H-MF | 40 3/8 [1026 mm] | 36 3/8 [924 mm] | 38 13/16 [986 mm] | 35 5/16 [897 mm] | 35 3/4 [908 mm] | 29 1/16 [738 mm] |
| NEFB42H-MF | 46 3/8 [1178 mm] | 40 3/8 [1026 mm] | 44 13/16 [1138 mm] | 39 5/16 [999 mm] | 41 3/4 [1060 mm] | 33 1/16 [840 mm] |

1.2 listing approvals

| Model No. | Net Weight | Gross Weight |
|-------------------|--------------------|-------------------|
| NEFB36H-MF | 146 lbs (66.15 kg) | 180 lbs (81.5 kg) |
| NEFB42H-MF | 176.5 lbs (80 kg) | 211lbs (95.6 kg) |

| | |
|--------------------|-----------------------------------|
| Description | Electric Appliance |
| Type | Build-in only |
| Voltage | 120 V AC / 240 V AC * |
| Watts | MAX 1465 W / 2930 W * |
| Amps | Dedicated 15 AMP Grounded Circuit |

This appliance has been tested in accordance with the CSA Standards for fixed and location-dedicated electric room appliances in the United States and Canada.

If you need assistance during installation, please contact your local dealer.

note:

This appliance must be electrically wired and grounded in accordance with local codes or, in the absence of local codes, with the latest edition of the National Electrical Code ANSI/NFPA 70 in the United States or the Canadian Electrical Code, CSA C22.1 in Canada.

1.3 general instructions

- This appliance is designed to be fully recessed into an enclosure.
- Ensure to test the appliance once installed into the finished framing to verify all functions are performing as intended.
- This appliance can be serviced while it is in an enclosure.
- The appliance may emit a slight, harmless odour when first used. This odour is normal and it is caused by the initial heating of internal appliance elements and will not occur again.
- If your appliance does not emit heat when called for, consult the “operation” section of this manual for further information.
- Prior to plugging your appliance into an electrical outlet, verify that the house circuit breakers for the outlet are on.

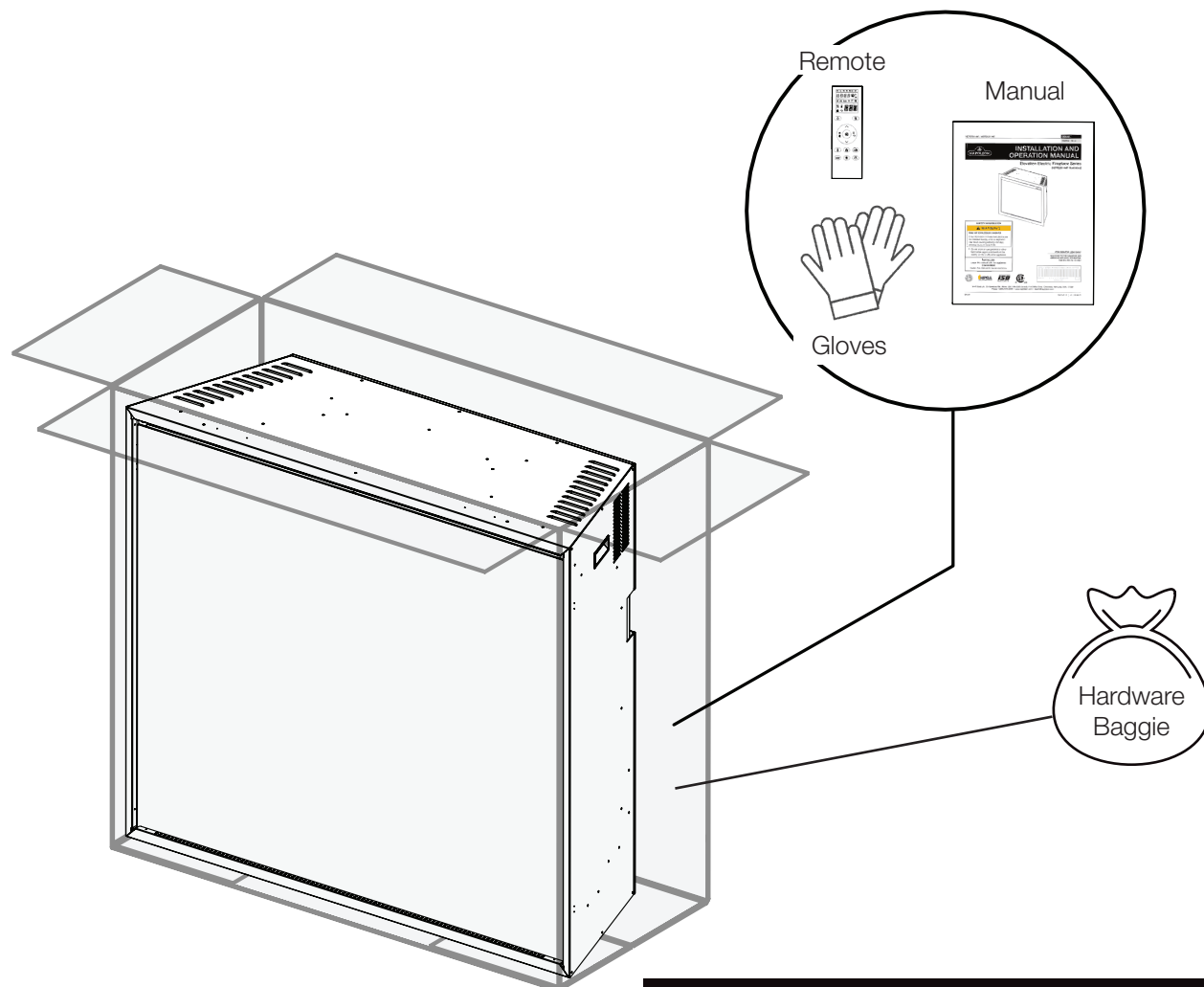
- Use with a CSA or UL certified surge protector.
- Do not route the power cord directly underneath the appliance.

This electric appliance meets the construction and safety standards of H.U.D. for application in manufactured homes when installed according to these instructions.

As with most electronic devices, your new electric appliance has been designed to operate at temperatures between 5°C (41°F) and 35°C (95°F). During the colder winter months, allow the appliance to reach room temperature before turning it on.

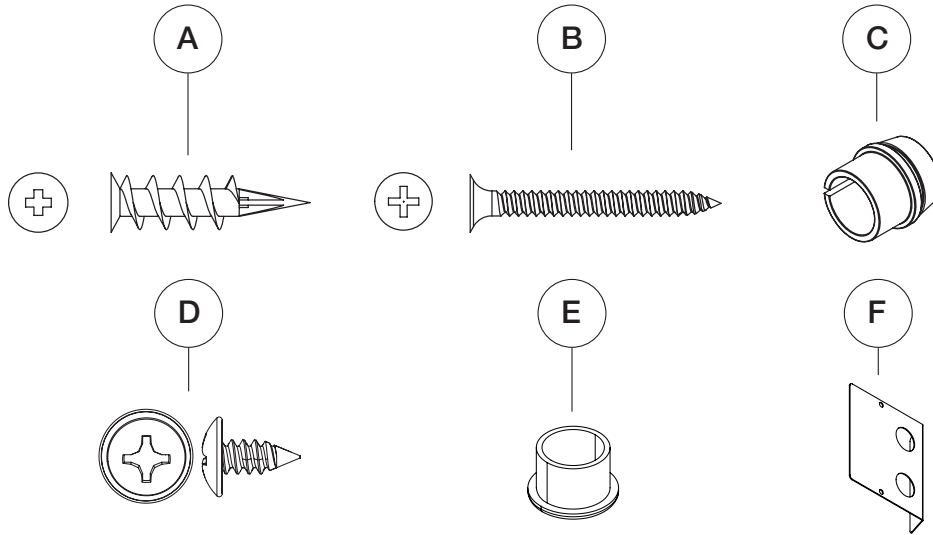
1.4 unpacking and testing the appliance

Ensure to unpack this appliance with 2 people. Reference the hardware list (see “hardware list” section) to prepare for installation.

**note:**

Exact packaging location may vary.
Some packaging has been hidden for clarity.

1.5 hardware list



| Hardware List | | |
|---------------|---------------------|----------|
| Item | Description | Quantity |
| A | Wood Screws | 4 |
| B | Drywall Anchor | 4 |
| C | Strain Relief | 1 |
| D | ST4x12 Metal screws | 12 |
| E | Plastic Caps | 2 |
| F | Cover Plate | 1 |

1.6 rating plate information

The below illustration is for reference only. Refer to the appliance rating plate for accurate information.

CERTIFIED UNDER CANADIAN AND AMERICAN NATIONAL STANDARD: CSA 22.2 NO. 46 AND UL 2021 / HOMOLOGUÉ SELON LES NORMES NATIONALES CANADIENNES ET AMÉRICAINES: CSA 22.2 NO. 46 UL 2021

ELECTRIC FIREPLACE. SUITABLE FOR BEDROOM AND BED-SITTING ROOM INSTALLATION. SUITABLE FOR MOBILE HOME INSTALLATION.

FOYER ÉLECTRIQUE. HOMOLOGUÉ POUR INSTALLATION DANS UNE CHAMBRE À COUCHER, UNE SALLE DE BAIN ET UN STUDIO. APPROPRIÉ POUR INSTALLATION DANS UNE MAISON MOBILE.

NEFB36H-MF NEFB42H-MF

VOLTS: 120V AC / 240V AC **TENSION:** 120V AC / 240V AC
FREQUENCY: 60Hz **FRÉQUENCE:** 60Hz
POWER: 1500/3000W **PUISSANCE:** 1500/3000W
DATE CODE: XXXXX **CODE DE DATE:** XXXXX

DESIGNED IN NORTH AMERICA / DÉSIGNÉ EN AMÉRIQUE DU NORD PAR WOLF STEEL LTD.
 MADE IN CHINA / FABRIQUÉ EN CHINE

WOLF STEEL LTD.
 24 NAPOLEON ROAD,
 BARRIE, ON, L4M 0G8 CANADA

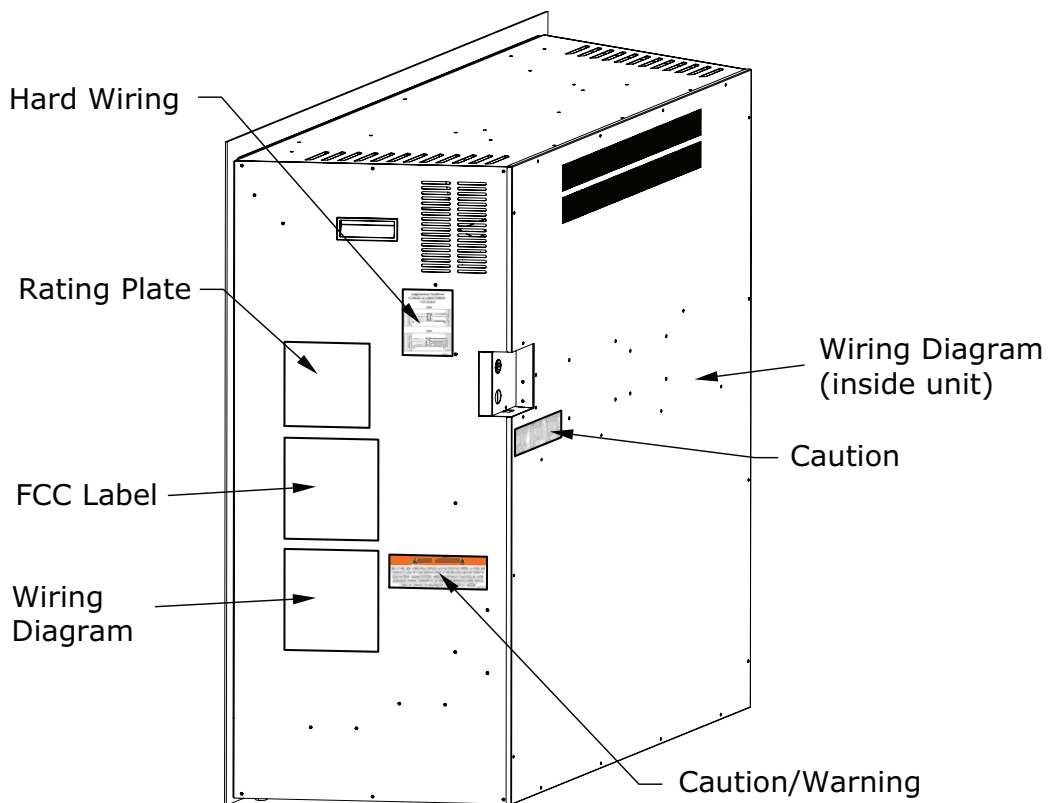
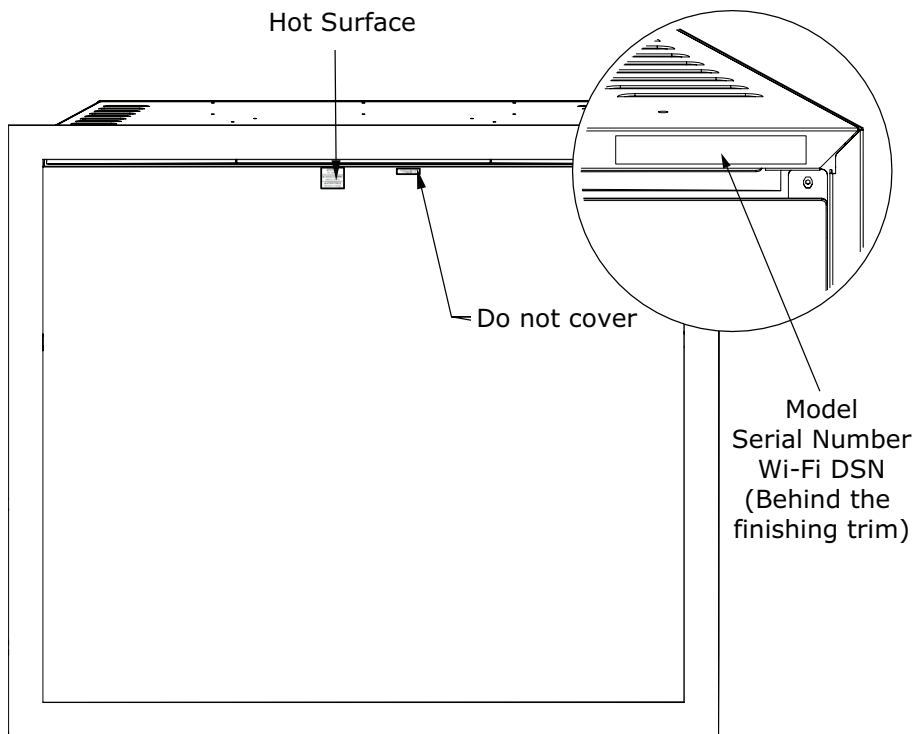
SERIAL NUMBER/NO. DE SÉRIE: NEFBXXHMF

W385-10001347

note:

The rating plate must remain with the appliance at all times. It must not be removed.

1.7 label location



2.0 installation overview

WARNING

- Risk of fire! The power cord must not be pinched against a sharp edge. Secure cord to avoid tripping or snagging to reduce the risk of fire, electric shock, or personal injury. Do not run cord under carpeting. Do not cover cord with throw rugs, runners, or similar items. Arrange the cord away from traffic areas to prevent tripping.
- Risk of fire! To prevent a possible fire, do not block air intake or exhaust in any manner. Do not use on soft surfaces where openings may become blocked.
- Risk of fire! Do not blow or place insulation against the appliance.
- This electric appliance is tested and listed for use only with the approved optional accessories. Use of optional accessories not specifically tested for this electric appliance could void the warranty and/or result in a safety hazard.
- Failure to follow these instructions exactly may result in a fire or explosion, causing property damage, personal injury, or death. Do not store or use gasoline or other flammable vapors near this or any other appliance.
- This appliance is heavy. It is highly recommended that two people install it for safety.
- If your appliance is equipped with a heater, ensure that the heater vents cannot be covered in any way, as this may create a fire hazard.
- Do not run the power cord horizontally, directly below the appliance.

Your NEFB42H-BS is recessed appliance. Select a suitable location that is not susceptible to moisture and is away from drapes, furniture and high traffic areas.

note:

Follow all national and local electrical codes.

2.1 minimum clearance to combustibles

Measurements are taken from the glass front

| | | | |
|---------------|----|------------|---------------|
| Bottom | 0" | TOP | 0" to mantel |
| Sides | 0" | TOP | 0" to ceiling |
| Back | 0" | | |

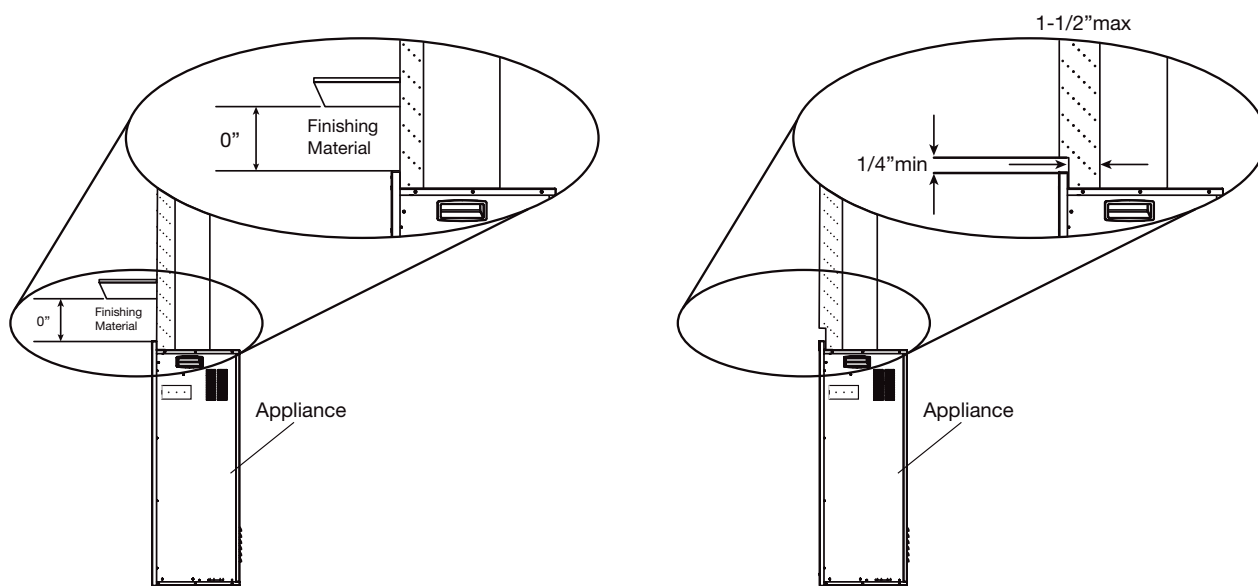
note:

The power switch is located on the upper right hand side of the appliance. Ensure to maintain access to this switch at all times.

2.2 minimum mantel clearances

! WARNING

- When using paint or lacquer to finish the mantel, the paint or lacquer must be heat resistant to prevent discolouration.



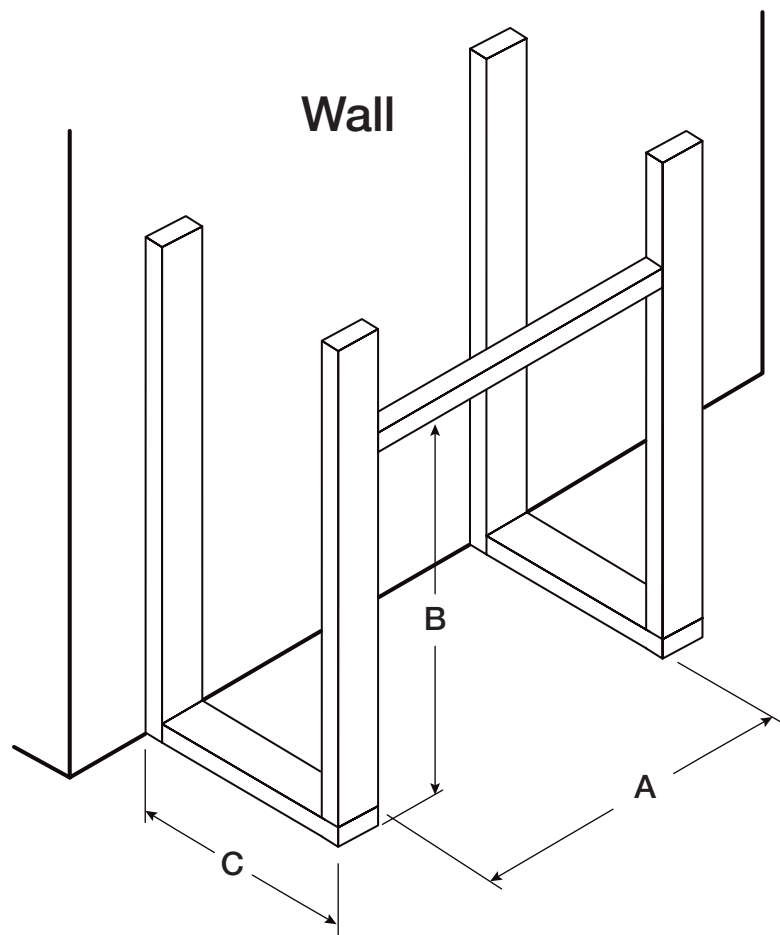
2.3 rough framing

! WARNING

- Select a location that is not prone to moisture and is located at least 36" (91.4 cm) away from combustible materials such as curtains, drapes, furniture, bedding, paper, etc.

note:

- It is recommended to complete finishing of the wall before fully securing the appliance.
- Once the rough framing and the finishing materials have been prepared and the power has been routed to the right side of the recess, the appliance may be installed.
- The electrical connection must be made prior to placing the appliance into position (see “electrical information” section).
- Have two people lift the appliance into position.
- In order to avoid the possibility to exposed insulation or vapour barrier coming in contact with the appliance body, it is recommended that the walls of the appliance enclosure be “finished” (i.e. drywall / sheet rock, etc.) as you would finish any other outside wall of a home. This will ensure that clearance to combustibles is maintained within the enclosure.

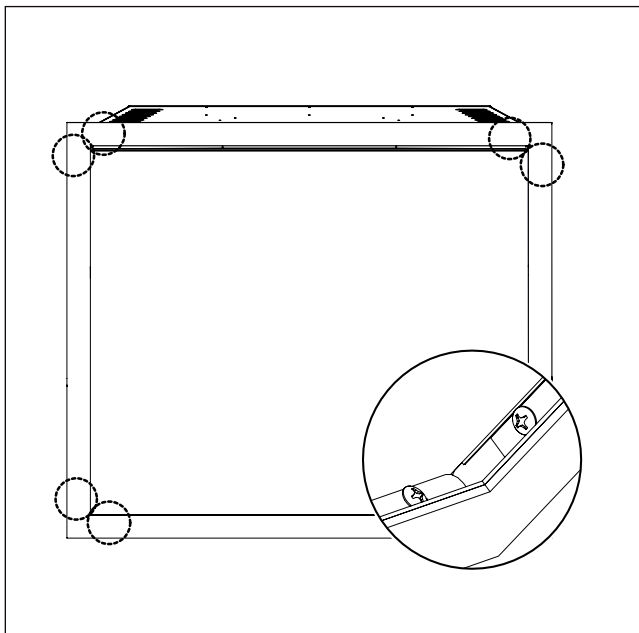


| Dimensions | Model | |
|--------------------|------------|------------|
| | NEFB36H-MF | NEFB42H-MF |
| A (Framing Width) | 39 3/4" | 45 3/4" |
| B (Framing Height) | 35 9/16" | 39 9/16" |
| C (Framing Depth) | 16 1/4" | 16 1/4" |

2.4 appliance installation and finishing

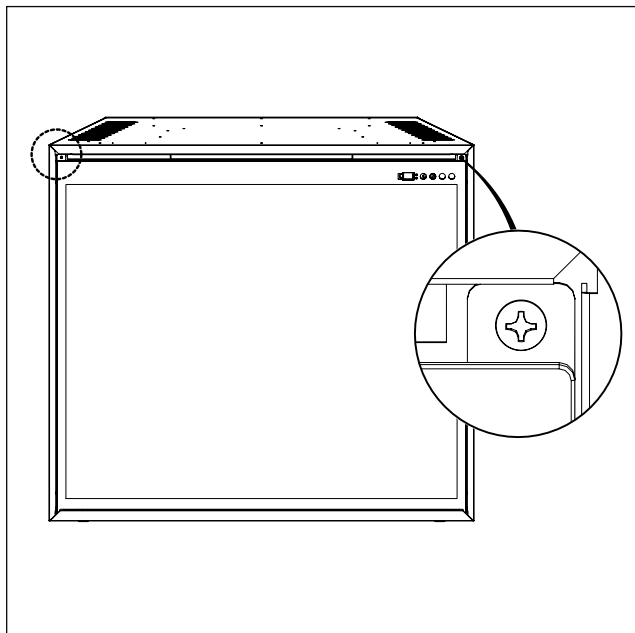
STEP 1:

Remove the front decorative trim by removing 8 screws from the corners of the appliance.



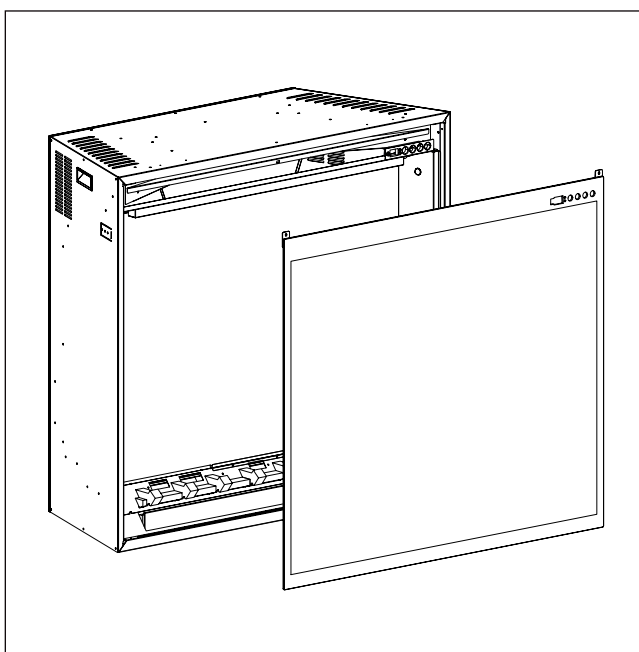
STEP 2:

With one hand on the glass door to prevent it from falling, remove the 2 screws holding the front glass in the place.



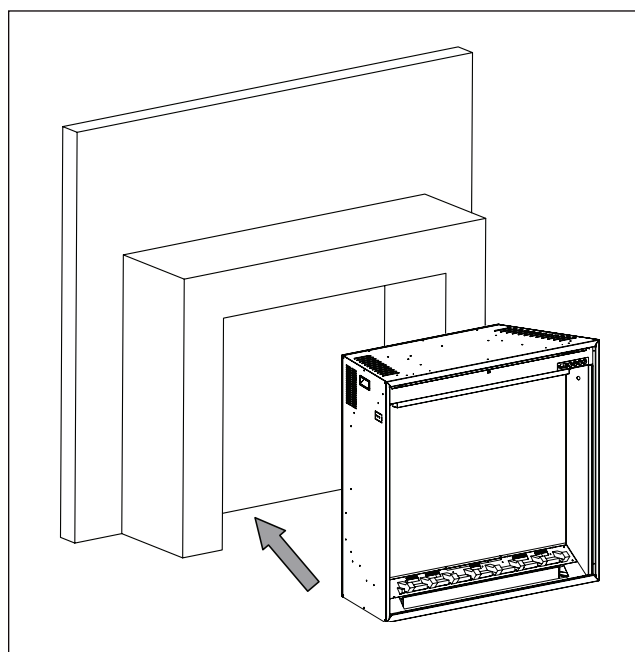
STEP 3:

Carefully lift the front glass out of the slot in the bottom of the firebox. Set the front glass on a soft, non-abrasive surface.



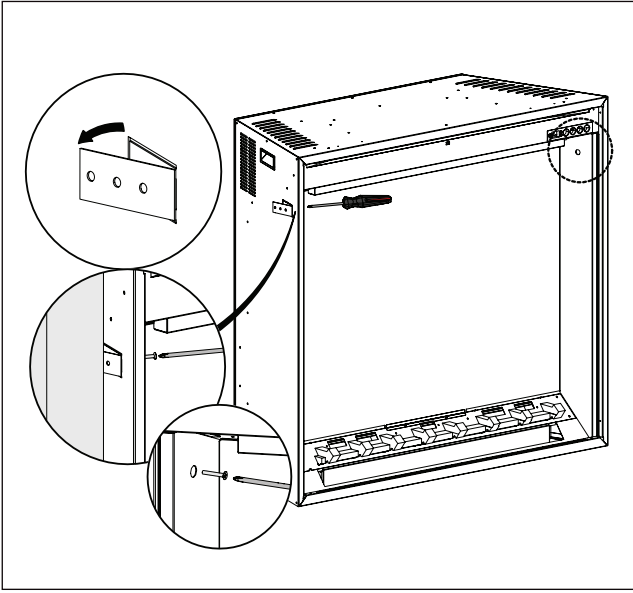
STEP 4:

After completing hard-wiring (see “electrical information” section), carefully lift the appliance into the finished enclosure.

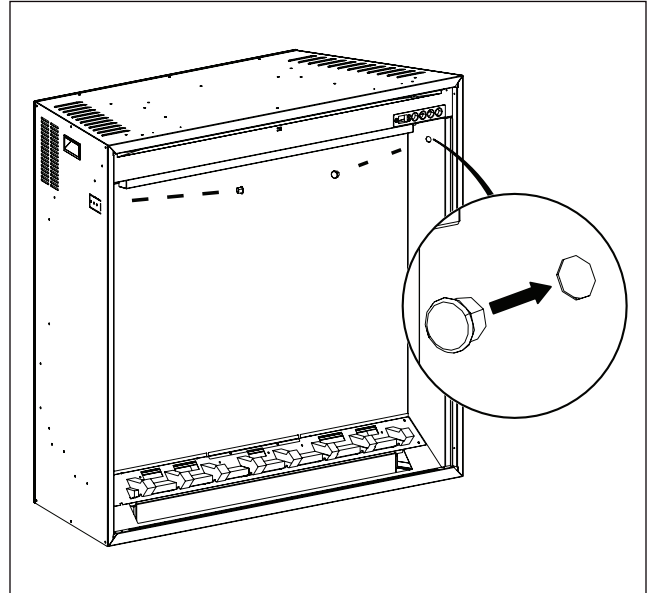


STEP 5:

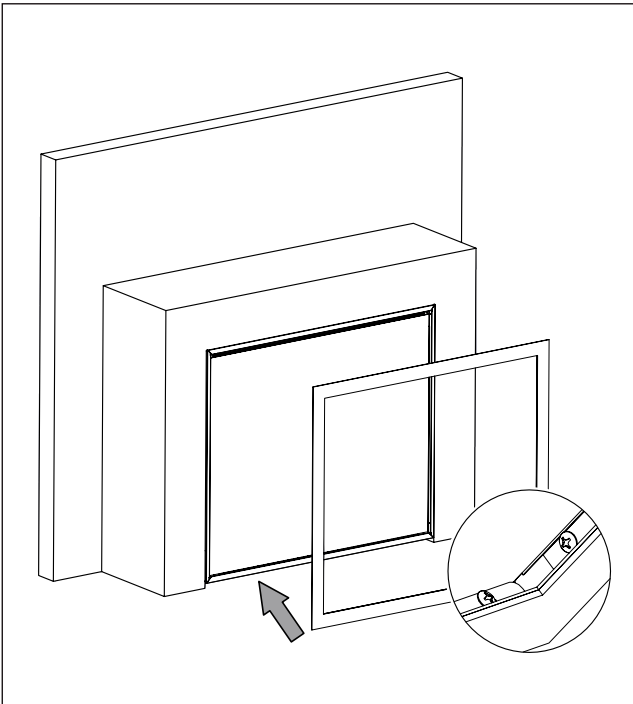
Using the woodscrews provided, secure the unit into the finished enclosure by screwing from the inside of the firebox through the access hole into one of the available pilot holes on the bending tab then into the side of the framing. Adjust the appliance where necessary to ensure proper fit and alignment.

**STEP 6:**

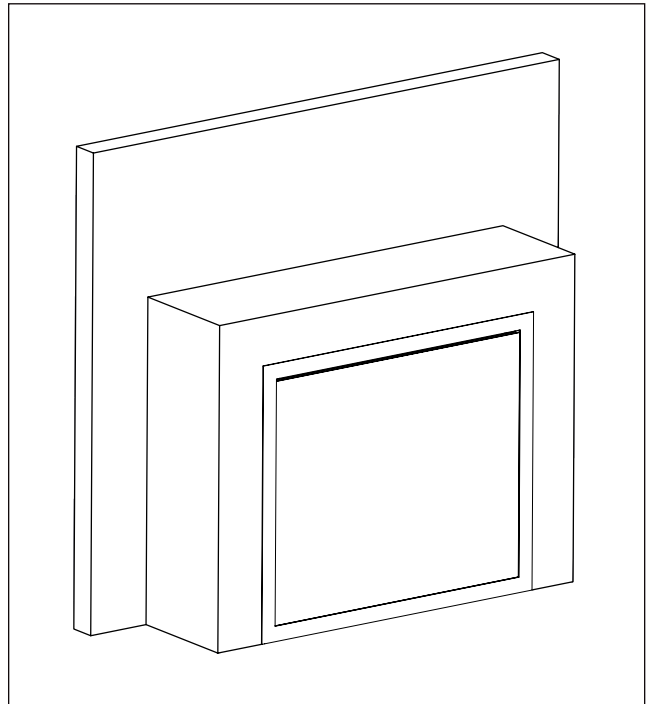
Attach the plastic caps (from the hardware baggie) on to the reflective panels to cover access holes.

**STEP 7:**

Re-install the front glass and decorative trim back on to the appliance to finish.

**STEP 8:**

Finished appliance.



3.0 electrical information

! WARNING

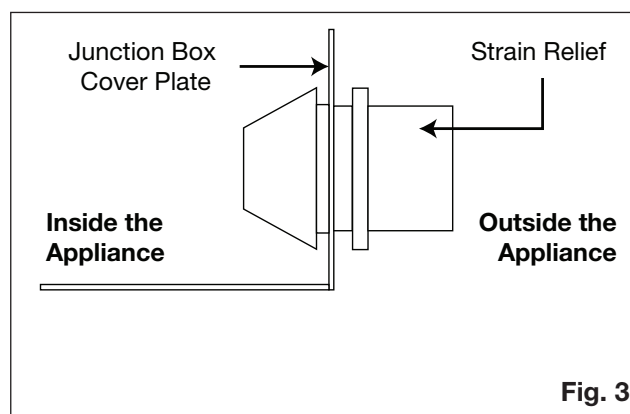
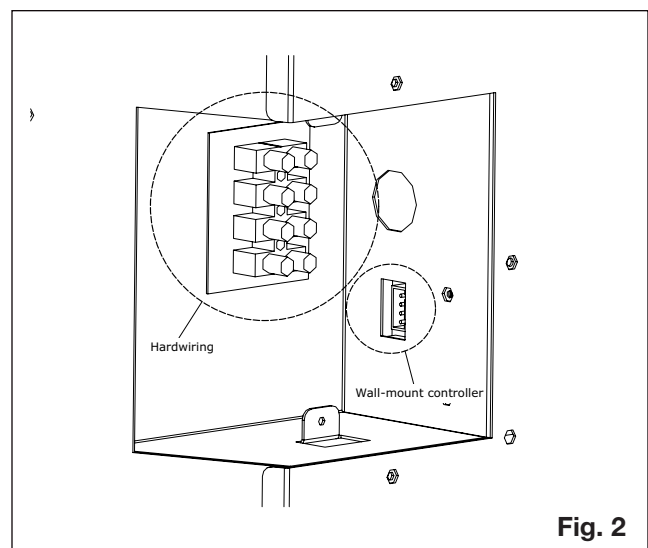
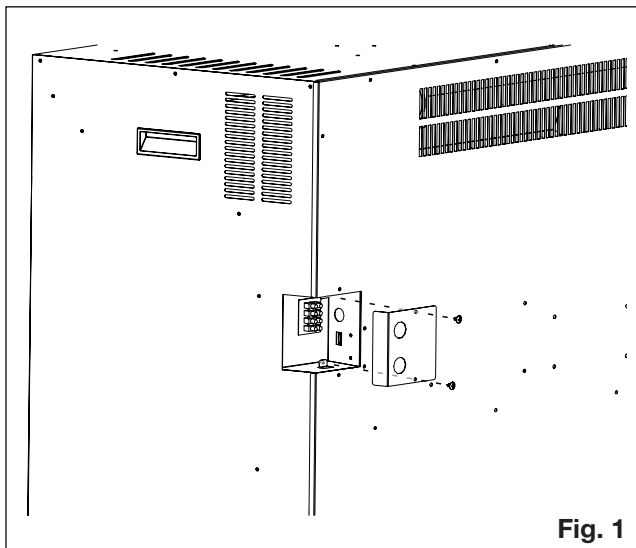
- Turn off the appliance completely and let cool before servicing. Only a qualified service person should service and repair this electric appliance.

It is necessary to hard-wire this appliance. A qualified electrician must wire the appliance directly to the household wiring. The wire and power supply breaker must be rated for 120V, minimum 15 amps.

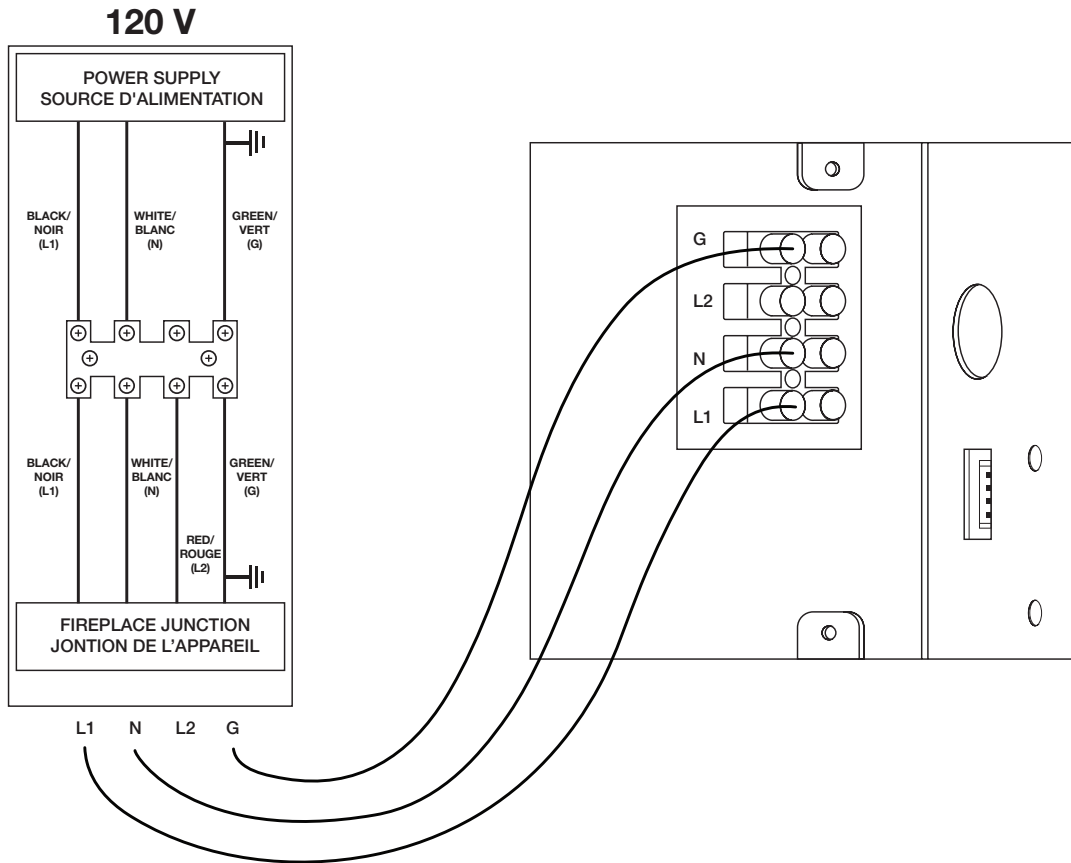
This appliance must be electrically wired and grounded in accordance with local codes or, in the absence of local codes, with the latest edition of the National Electrical Code ANSI/NFPA 70 in the United States or the Canadian Electrical Code CSA C22.1 in Canada.

Before hard-wiring the appliance, remove the junction box control cover by removing the fasteners as shown.

1. Locate the desired 2 conductor or 3 conductor wire cable to the right side of the enclosure for the hard-wiring installation based on the desired 120 V or 240 V heat output capability. (Fig.1).
2. With the appliance in the rough-in framing, insert far enough into the enclosure to locate the supply wires to the terminal block. (Fig.2).
3. Insert the wires from your home through the junction box cover plate with the strain relief (supplied) and locate the wires to the specified terminal block location based on desired voltage selection. (Fig.3).



3.1 120 V hard-wiring installation

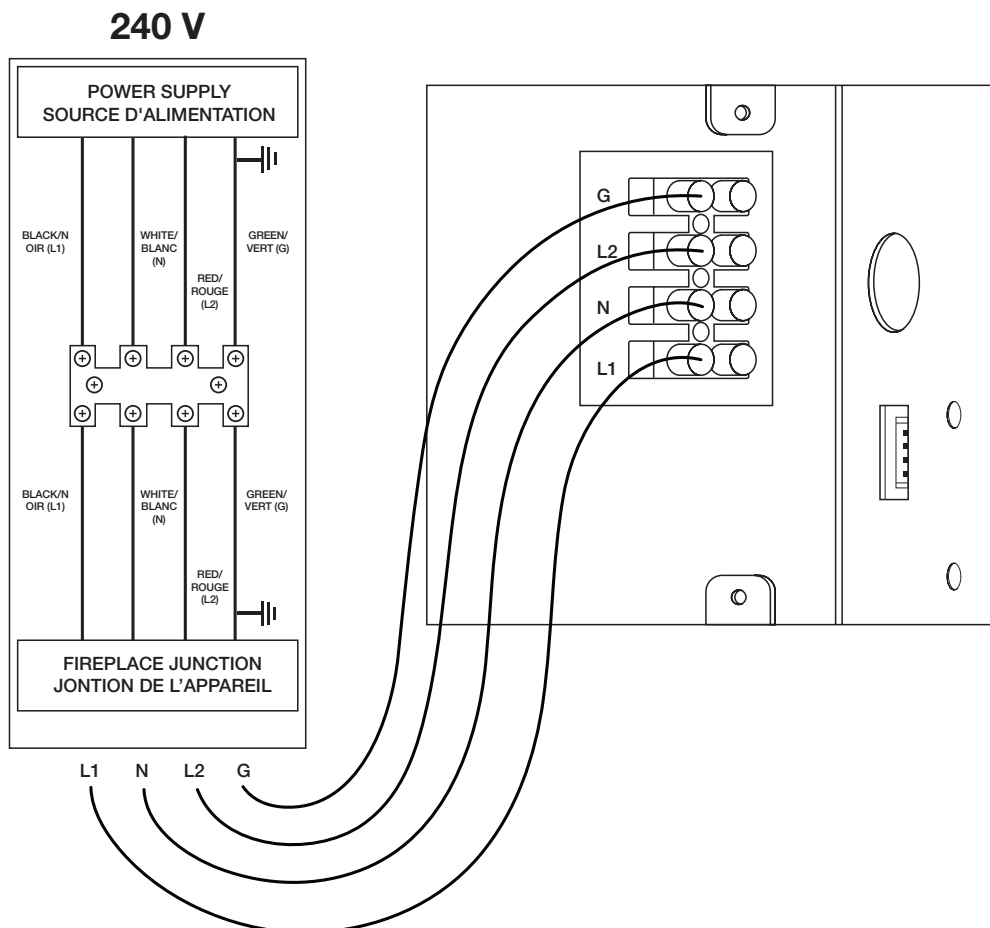


1. Insert Green or bare copper wire to the designated G Terminal. Tighten the screw.
2. Insert Neutral wire to the designated N Terminal. Tighten the screw.
3. Insert L1 wire to the designated L1 Terminal. Tighten the screw.
4. Make sure all connections are tightened properly.
5. Reinstall the junction box cover plate.

note:

If you are using the optional wall mount controller during installation, connect the wire harness to the 4-pin connector located next to the hardwire terminal block.

3.2 240 V hard-wiring



1. Insert Green or bare copper wire to the designated G Terminal. Tighten the screw.
2. Insert Neutral wire to the designated N Terminal. Tighten the screw.
3. Insert L1 wire to the designated L1 Terminal. Tighten the screw.
4. Insert L2 wire to the designated L2 Terminal. Tighten the screw.
5. Make sure all connections are tightened properly.
6. Reinstall the junction box cover plate.

note:

If you are using the optional wall mount controller during installation, connect the wire harness to the 4-pin connector located next to the hardwire terminal block.

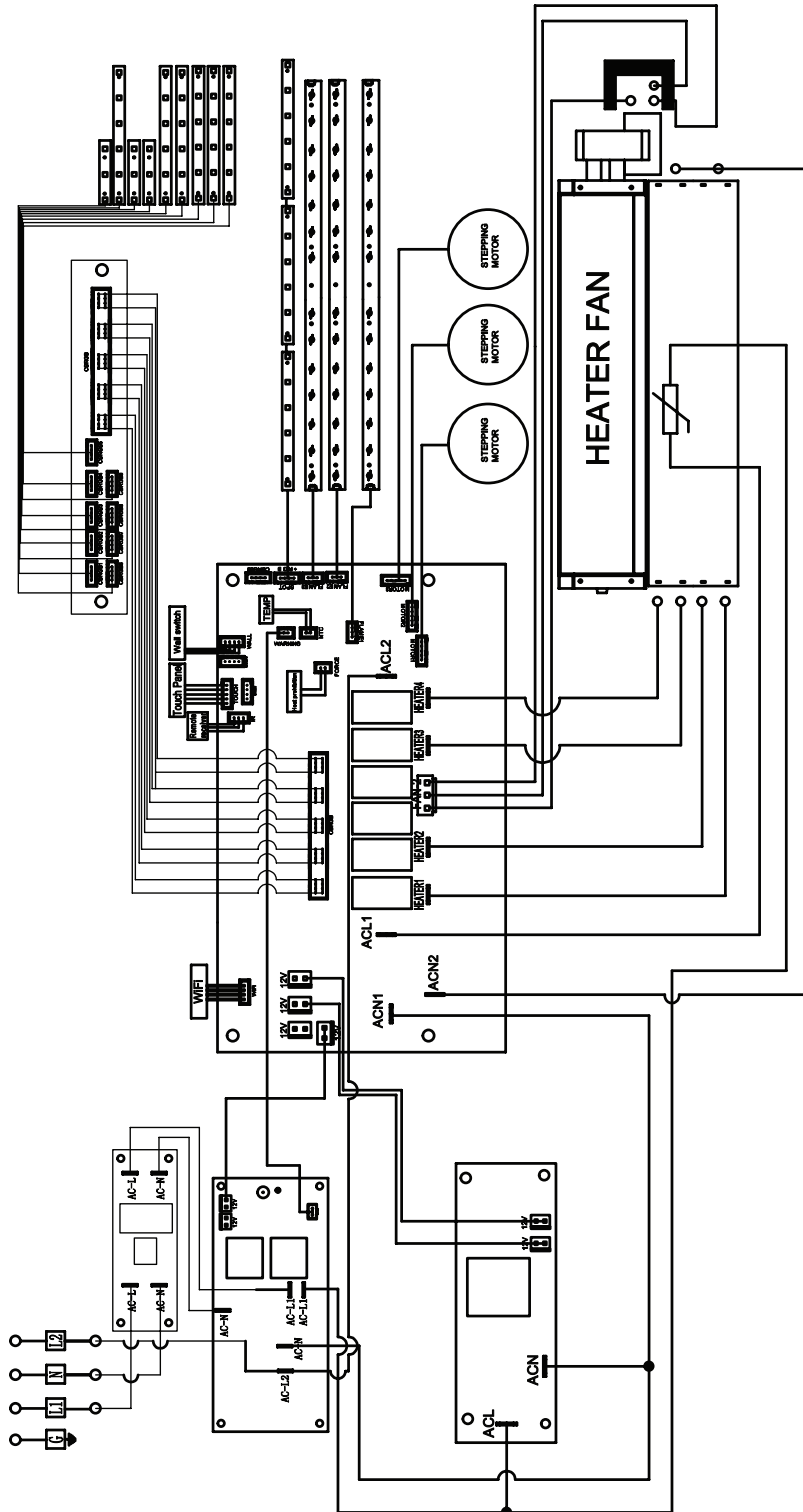
3.3 optional wall-mount controller installation

The wall-mount controller is designed with a recessed securing bracket to allow it to secure directly to the finishing material and does not require to be fixed to a stud. Route the wire harness for the

wall-mount controller from the fireplace junction box to the desired location for the wall-mount controller. Some finishing material may need to be fixed to the enclosure to allow the wall-mount controller to be secured.

4.0 wiring diagram

4.1 NEFB36H-MF wiring diagram



5.0 operation

Once the appliance has been electrically connected to a grounded circuit and the breaker is on, it is ready to operate.







note:

Ensure the house circuit breakers for the power supply are turned on. In the event of a power failure, the appliance will lose its memory function and will reset to factory mode when the power returns.

5.1 operating control panel

The control panel is located on the top right-hand corner of the appliance.



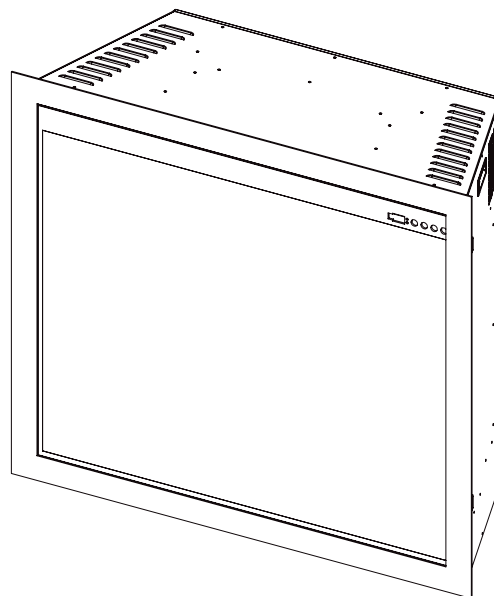
| | | |
|-----------------------------|-------------------------------------------------------------------------------------|--------------------------------------------------------------------------------------------------------------------------------------------------------------------------------------------------------------------------------------------------------------------------------------------------------------------------------------|
| Power |  | Turn the appliance on/off. |
| Heater |  | Turns the heater and blower on/off. Settings: H-0: Heater and blower off. H-1: Heater and blower on. FAN: Heater is off and blower is on. Note: Heater control function can be enabled/disabled by holding the button for 5s. When the heater function is disabled, "LOC" will be displayed. |
| Flame |  | Turn the flame effect on/off. Settings: F-1: Style 1 - yellow colour. F-0: Flame OFF. |
| ECO Mode Indicator |  | Indicates the appliance is working under ECO mode (energy saving). |
| Boost Mode Indicator |  | Indicate the appliance is working under Boost mode. |
| Wi-Fi Indicator |  | Indicates the appliance is connected to the wireless network. Press and hold the button 8s to enter Wi-Fi setup mode. Indicator flashes. |

5.2 operating remote control






Features:




















- Power / Standby
- Heater setting: H-0, FAN, H-1
- ECO mode
- Boost mode
- Temperature setting
- Flame layer setting
- Flame color setting
- Flame brightness setting
- Flame speed setting
- Ember bed color setting
- Ember bed brightness setting
- Top light setting




















Special features:

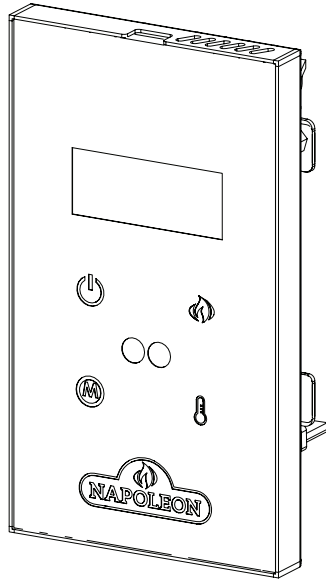
- 7/24 timer programming
- open window alert





| | | |
|----------------------|-------------------------------------------------------------------------------------|----------------------------------------------------------------------------------------------------------------------------------------------------------------------------------------------------------------------------------------------------------------------------------------------------------------------------------------------------------------------------------------------------------------------------------------------------------------------------------------------------------------|
| Power/Standby |  | Turn the appliance on/off. |
| Heater |  | <p>Press  button to set fireplace heating mode.</p> <p>H-0: Heater and blower off. FAN: Heater is off and blower is on. H-1: Heater and blower on.</p> <p>Note: Heater control function can be enabled/disabled by holding the button for 3s. When the heater function is disabled, "LOC" will be displayed.</p> |

| | | |
|---------------------------|-------------------------------------------------------------------------------------|-----------------------------------------------------------------------------------------------------------------------------------------------------------------------------------------------------------------------------------------------------------------------------------------------------------------------------------------------------------------------------------------------------------------------------------------------------------------------------------------------------------------------------------------------------------------------------------------------------------------------------------------------------------------------------------------------------------------------------------------------------------------------------------------------------------------------------------------------------------------------------------------------------------------------------------------------------------------------------------------------------------------------------------------------------------------------------------------------------------------------------------------------------------------------------------------------------------------------------------------------------------------------------------------------------------------------------------------------------------------------------------------------------------------------------------------------------------------------------------------------------------------------------------------------------------------------------------------------------------------------------------------------------------------------------------------------------------------------------------------------------------------------------------------------------------------------------------------------------------------------------------------------------------------------------------------------------------------------------------------------------------------------------------------------------------------------------------------------------------------------------------------------------------------------------------------------------------------------------------------------------------------------------------------------------------------------------------------------------------------------------------------------------------------------------------------------------------------------------------------------------------------------------------------------------------------------------------------------------------------------------------------------------------------------------------------------------------------------------------------------------------------------------------------------------------------------------------------------------------------------------------------------------------------------------------------------------------------------------------------------------------------------------------------|
| 7/24 Timer |  | <p>Press the  button to set the current day and time.</p> <p>When “MON” starts flashing, use  to select current day. Press OK to complete setting.</p> <p>When the hour digits start flashing, use  to select the current hour. Press OK to complete the setting.</p> <p>When the minute digits start flashing, use  to select the current minute. Press OK to complete the setting.</p> <p>Hold the  button to set the weekly schedule.</p> <ol style="list-style-type: none"> 1. Press and hold the  for 3s.  ON logo will appear on screen. 2. When “MON” starts to flash, use  to select the desired day. Press OK to complete setting. 3. When “--:--” starts flashing, use  to select the time. Press OK to confirm. Every time when the  is pressed, 30 minutes will be added or reduced. Press  any time to clear digits. Leave hour and minute in “--:--” to not set up the schedule. 4. When “18 °C” starts flashing, use  to select desired temperature to on heater (thermostat function on). Press OK to complete the setting. 5. After finishing step 4,  OFF logo will appear on screen. Repeat steps 3 to set the time for off schedule. 6. Repeat steps 1 to 5 to set the time ON/OFF schedule every day. <p>Note:</p> <ul style="list-style-type: none"> • During the time and scheduling setting, only when the IR receiver is aimed the signal can be received by PCB. When the signal is received successfully, a BEEP sound will be heard. • During the ‘hour and minute’ setting, every data indicates a meaningful signal not “screen up and screen down” only. • “--:--” means no timer setting. • When press and holding the “up or down button”  the digits go much faster. |
| ECO |  | <p>Hold the button for 3s to turn on/off heater with half heat output (ECO mode).</p> <p>Note: When running in ECO mode, ECO indicator will light up on the control panel.</p> |
| Boost |  | <p>Hold the button for 3s to turn on/off Boost mode.</p> <p>Note: When running in Boost mode, BST indicator will light up on the control panel.</p> |
| Thermostat Control |  | <p>Default setting: OFF (display C on the display). Press and hold the button for 3s to switch between °C and °F. Use  to change settings.</p> <p>OFF 18 °C [64 °F], 19 °C [66 °F], 20 °C [68 °F], 21 °C [70 °F], 22 °C [72 °F], 23 °C [74 °F], 24 °C [76 °F], 25 °C [78 °F], 26 °C [80 °F], 27 °C [82 °F].</p> |

| <p>Flame</p> |  | <p>Flame colour updates all the flame layers at the same time. No individual layers of flame colour adjustment allowed. Press button once, flame 1 icon will start to flash. Press the button again, flame 2 icon will start to flash. Press the button again, flame 1 & flame 2 icon will start to flash.</p> <p>Use   buttons to change brightness settings.</p> <table border="1" data-bbox="565 436 1458 667"> <thead> <tr> <th>Flame 1 Yellow Colour</th> <th>Flame 2 Orange Colour</th> <th>Flame 1+2 Both Colours</th> </tr> </thead> <tbody> <tr> <td>YF4 (100%)</td> <td>OF4 (100%)</td> <td>F-1 Both flame ON (100%) Default</td> </tr> <tr> <td>YF3 (75%)</td> <td>OF3 (75%)</td> <td></td> </tr> <tr> <td>YF2 (50%)</td> <td>OF2 (50%)</td> <td>F-0 Both flame OFF (0%)</td> </tr> <tr> <td>YF1 (25%)</td> <td>OF1 (25%)</td> <td></td> </tr> <tr> <td>YF0 (OFF)</td> <td>OF0 (OFF)</td> <td></td> </tr> </tbody> </table> | Flame 1 Yellow Colour | Flame 2 Orange Colour | Flame 1+2 Both Colours | YF4 (100%) | OF4 (100%) | F-1 Both flame ON (100%) Default | YF3 (75%) | OF3 (75%) | | YF2 (50%) | OF2 (50%) | F-0 Both flame OFF (0%) | YF1 (25%) | OF1 (25%) | | YF0 (OFF) | OF0 (OFF) | |
|-------------------------------------------------|-------------------------------------------------------------------------------------|------------------------------------------------------------------------------------------------------------------------------------------------------------------------------------------------------------------------------------------------------------------------------------------------------------------------------------------------------------------------------------------------------------------------------------------------------------------------------------------------------------------------------------------------------------------------------------------------------------------------------------------------------------------------------------------------------------------------------------------------------------------------------------------------------------------------------------------------------------------------------------------------------------------------------------------------------------------------------------------------------------------------------------------------------------------------------------------------------------------------------------------------------------------------------------------------------------------------------|--------------------------|--------------------------|---------------------------|------------|------------|----------------------------------|-----------|-----------|--|-----------|-----------|-------------------------|-----------|-----------|--|-----------|-----------|--|
| Flame 1 Yellow Colour | Flame 2 Orange Colour | Flame 1+2 Both Colours | | | | | | | | | | | | | | | | | | |
| YF4 (100%) | OF4 (100%) | F-1 Both flame ON (100%) Default | | | | | | | | | | | | | | | | | | |
| YF3 (75%) | OF3 (75%) | | | | | | | | | | | | | | | | | | | |
| YF2 (50%) | OF2 (50%) | F-0 Both flame OFF (0%) | | | | | | | | | | | | | | | | | | |
| YF1 (25%) | OF1 (25%) | | | | | | | | | | | | | | | | | | | |
| YF0 (OFF) | OF0 (OFF) | | | | | | | | | | | | | | | | | | | |
| <p>Flame Speed</p> |  | <p>Control the flame speed.</p> <p>Press the button, flame speed icon will start to flash on LCD display. Use   to change settings.</p> <ul style="list-style-type: none"> • S-5 • S-4 • S-3 (Default) • S-2 • S-1 <p>Flame speed updates all the flame layers at the same time. No individual layers of flame speed adjustment allowed.</p> | | | | | | | | | | | | | | | | | | |
| <p>Ember Bed Colour & Brightness</p> |  | <p>Default setting: L01.</p> <p>Press the button once, ember bed colour icon will start to flash. Use   to change settings.</p> <ul style="list-style-type: none"> • L01 (Default) • L02 • ... • L05 • L-C (Cycle) <p>Press button again, brightness icon will start to flash. Use   to change settings.</p> <ul style="list-style-type: none"> • B-F (Pulsing) • B-4 (Default) • B-3 • B-2 • B-1 • B-0 (OFF) | | | | | | | | | | | | | | | | | | |
| <p>Flame Layer</p> |  | <p>Press multiple flame button, MF icon will start to flash. Use   buttons to decrease and increase the number of Flame Layers.</p> <p>C-3- Layer 1- ON, Layer 2 - ON, Layer 3 - ON (Default) C-2- Layer 1- ON, Layer 2 - ON, Layer 3 - OFF C-1- Layer 1- ON, Layer 2 - OFF, Layer 3 - OFF</p> | | | | | | | | | | | | | | | | | | |
| <p>Top Light</p> |  | <p>Press the button, top LED icon will start to flash. Use   to change settings.</p> <ul style="list-style-type: none"> • D01 (Default) • D02 • ... • D13 • D-C (Cycle) | | | | | | | | | | | | | | | | | | |

5.3 operating wall mount controller



| | | |
|---------------------------|-------------------------------------------------------------------------------------|-------------------------------------------------------------------------------------------------------------------------------------------------------------------------------------------------------------------------------------------------------------------------------------------------------------------------------------------------------------------------------------------------------------------------------------------------------------------------------------------------------------------------------------------------------------------------------------------------------|
| Power |  | Turn the appliance on/off. |
| Flame ON/OFF |  | Turn the flame effect ON/OFF. 2 Settings: F-0: All light effects OFF F-1: Flame colour OF4 and YF4; flame speed S-3, ember bed colour L1; ember bed brightness B-F. |
| Mode Selection |  | Switches between running modes. Default setting: H-0 Settings: H-0: Heater and blower OFF. FAN: Heater is OFF and blower is ON. H-1: Heater and blower ON. ECO: Heater running in economic mode. BST: Heater in enhance mode, blower running at high speed. Note: Heater control function can be enabled/disabled by holding the button for 3s. When the heater function is disabled, "LOC" will be displayed. |
| Thermostat Control |  | Press this button once, temperature setting will increase 1 °C (2 °F). Start from 18 °C (64 °F). Hold this button for 5s, can switch between °C and °F. When temperature reaches 27 °C [82 °F] press this button once again, temperature will turn OFF and display unit. Press button again to restart from 18 °C [64 °F]. Settings: 18 °C [64 °F], 19 °C [66 °F], 20 °C [68 °F], 21 °C [70 °F], 22 °C [72 °F], 23 °C [74 °F], 24 °C [76 °F], 25 °C [78 °F], 26 °C [80 °F], 27 °C [82 °F] and OFF. Note: Press and hold the button for 5s to switch between °C and °F. |

6.0 Napoleon® connectivity

NAPOLEON® HOME APP



HOW DOES IT WORK?

Access your appliance remotely by downloading the **Napoleon® Home App** from your app store.

In order to access the app, you will be required to create an account by following the instructions listed within the app (see below for details).

By pairing your appliance to the **Napoleon® Home App** via WiFi, you gain control to all modes and functions of the appliance.

All notifications and alarms are sent through the app to keep you connected with ease.



Scan this QR code for direct access to the **Napoleon® Home App** website.

let's get started

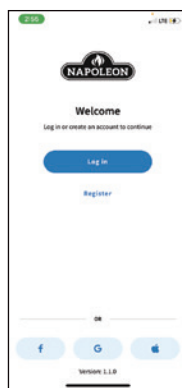
1 DOWNLOAD



Download the **Napoleon® Home App** from your app store (Google Play or Apple App Store).

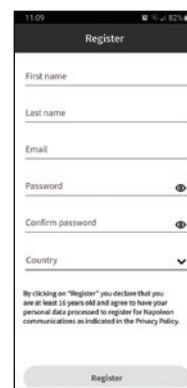
Note: This requires Android 7.0 or iOS 13.0.

2 REGISTER



Register an account with the **Napoleon® Home App** OR sign-in using your Facebook, Google, or Apple account information.

3 CREATE



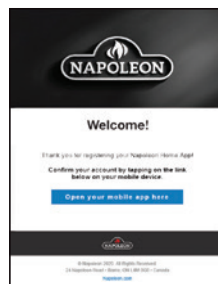
Enter user information and create a password for the account. Select the country in which the appliance is located.

4 ALMOST THERE



The information entered in Step 3 will be registered to the **Napoleon® Home App** and a confirmation will be sent to the email provided.

5 CONFIRM



Open email inbox and select the confirmation link.

Note: The confirmation link must be opened on the device that the **Napoleon® Home App** is installed on.

6 RE-CONFIRM



If no email is found, click "Re-Send Confirmation Link" and check junk folder.

6.1 connecting to the app

1. Ensure the appliance is plugged in and turned on (**Fig. 1**).
2. Press and hold the Wi-Fi button on the appliance control panel for 10 seconds (**Fig. 2**).



Fig. 1

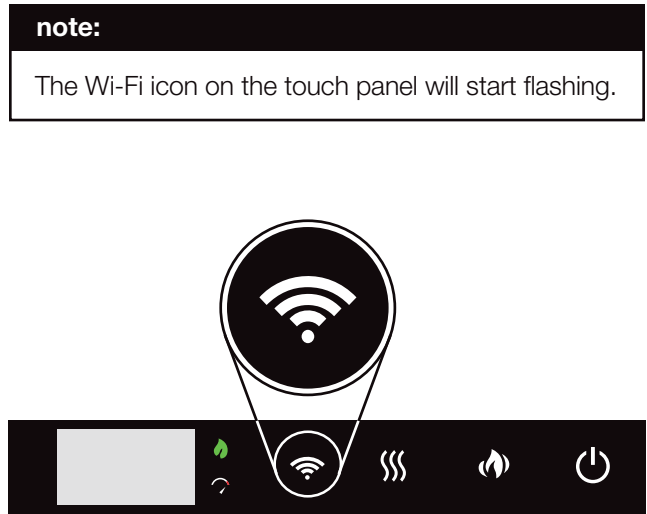


Fig. 2

3. Select “Add Device” and accept permissions (**Fig. 3 & 4**).

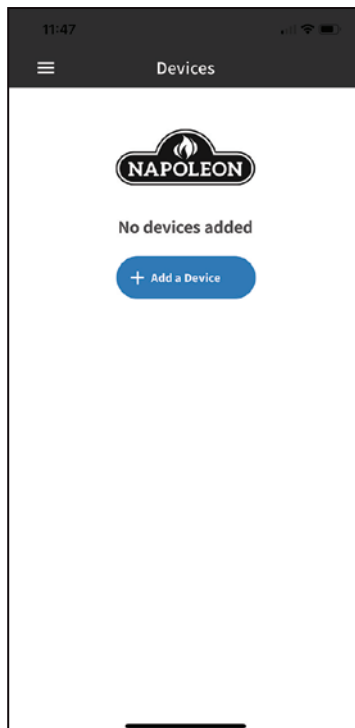


Fig. 3

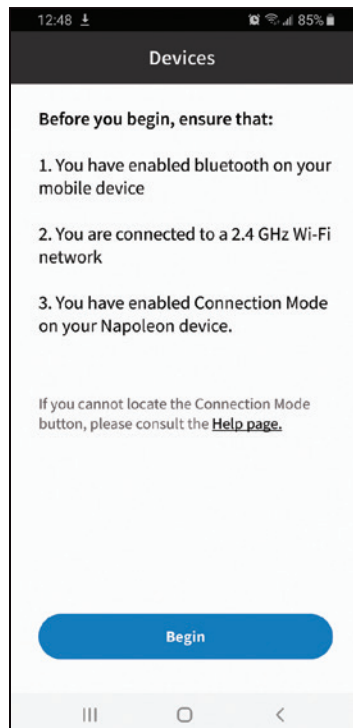


Fig. 4

4. Search for devices and select the device from the list (**Fig. 5 & 6**).



Fig. 5



Fig. 6

5. Select desired Wi-Fi and connect by entering the Wi-Fi password of your home (**Fig. 7 & 8**).
6. Once the appliance has been connected to the access point, it can be given a nickname in order to be more recognizable (**Fig. 9**).

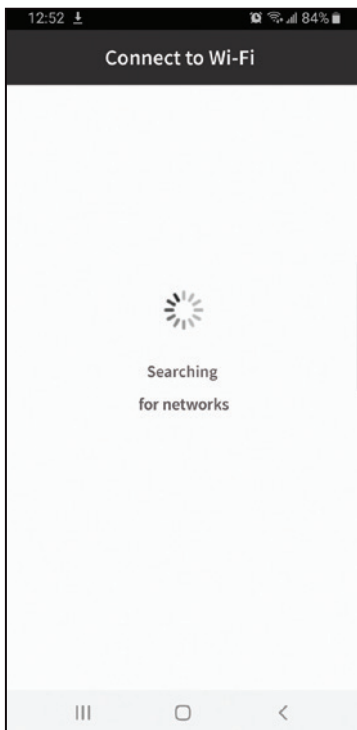


Fig. 7

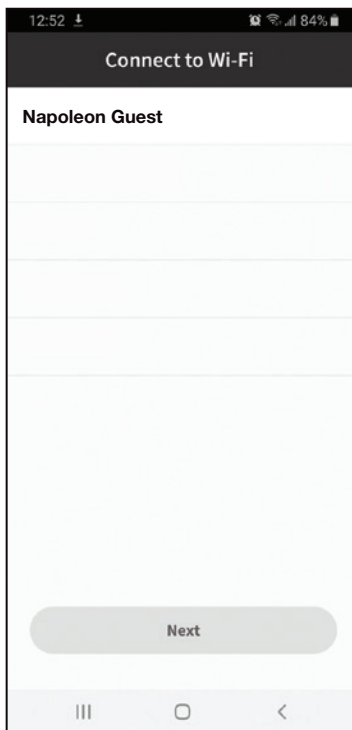


Fig. 8

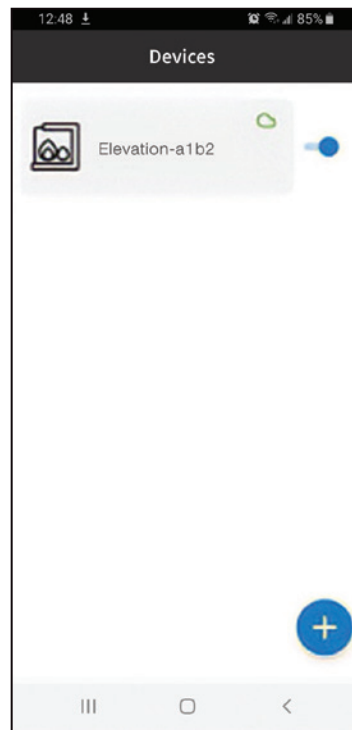
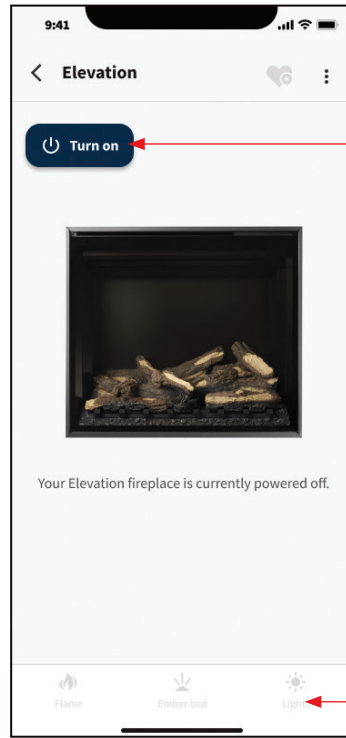


Fig. 9

6.2 using the app

6.2.1 power setting

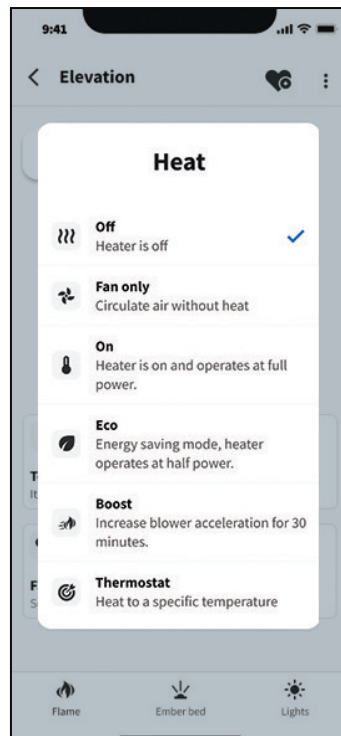
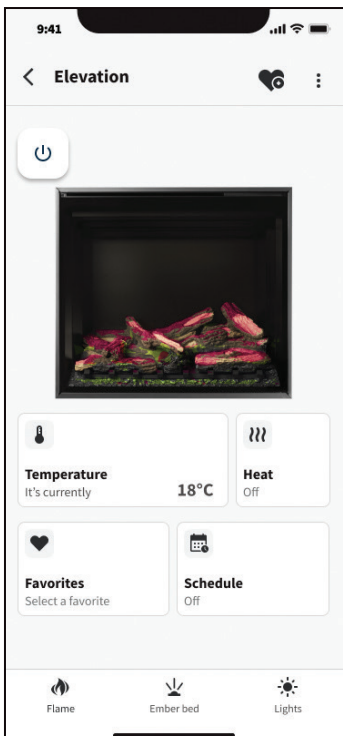


Power Setting:

Press to turn the appliance ON and OFF.

The brightness settings are not accessible on this home page when the appliance is turned off. When the appliance is turned on, navigate to the bottom tabs to change fireplace display settings.

6.2.2 heat setting

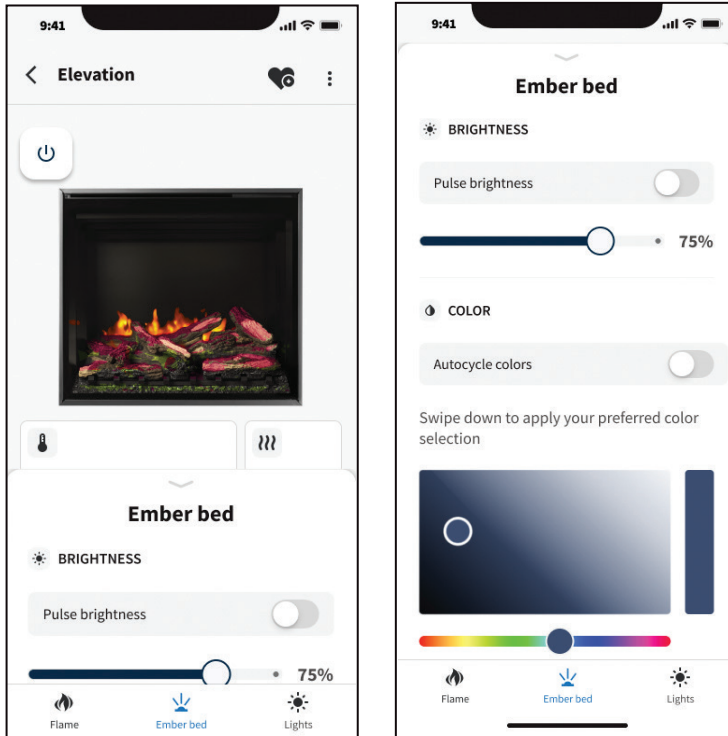


Heat Setting:

The heat setting can be selected through the heat tab on the appliance home page. The current ambient temperature is displayed on the temperature tab and updated to reflect the target temperature when thermostat mode is selected.

| | |
|-------------------|------------------------------------------------------------------------------------------------------------|
| Off | No heat. |
| Fan Only | Turns on only the fan to circulate air without heat. |
| On | Heater is on and operates at full power. |
| ECO | Energy saving mode, heater operates at half power. |
| Boost | Increase blower acceleration with Heater operating at full power. |
| Thermostat | Automatically turns the heater ON and OFF to regulate the room temperature to the desired set temperature. |

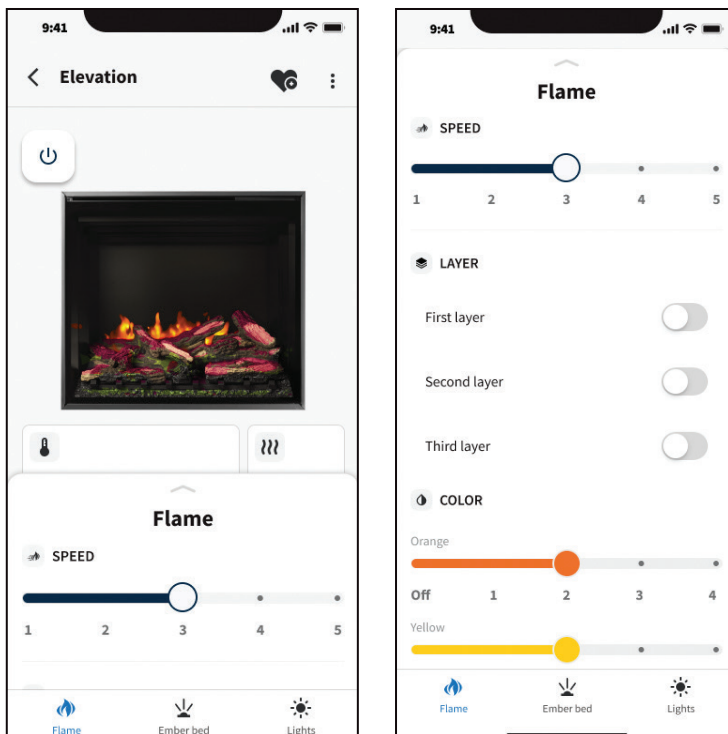
6.2.3 ember bed setting



Ember Bed Setting:

Select the preferred ember bed colours and brightness settings from the list in the ember bed tab or toggle the auto cycle or pulse brightness function on to cycle through all available colours.

6.2.4 flame setting

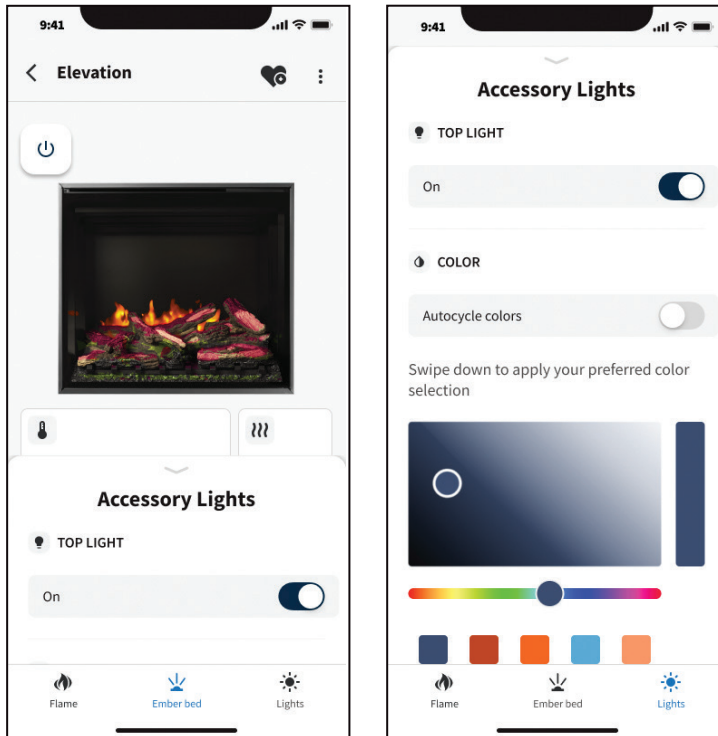


Flame Setting:

Control the display of the different flame colours by adjusting the slider for each flame colour.

Flame layers can be turned OFF or ON using the respective toggle buttons. The flame speed can also be adjusted.

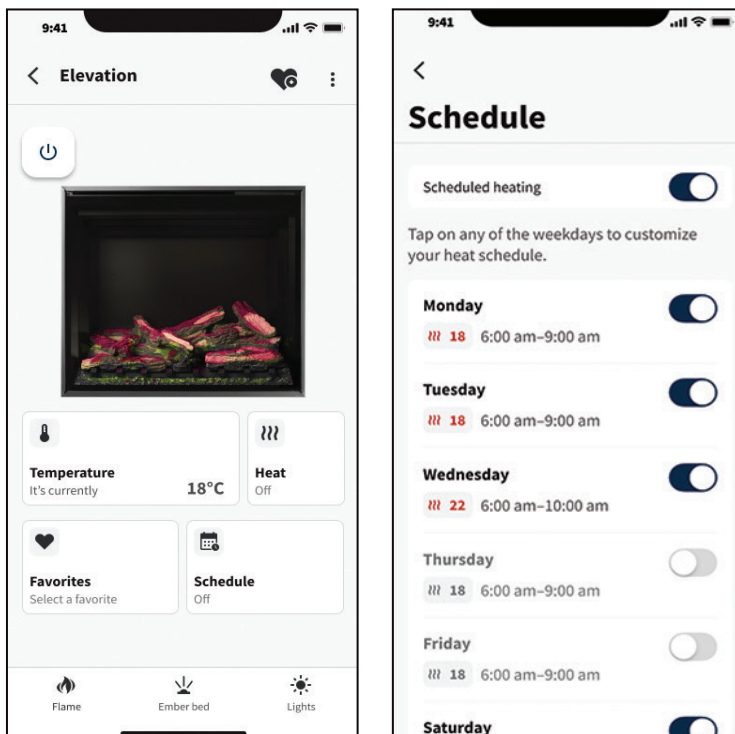
6.2.5 accessory lights settings



Accessory Lights Setting:

The weather display brightness can be controlled in the app either on the home page when the appliance is turned OFF or the lights bottom tab. The side light is also controlled from the lights tab. Bulb warmth selection and brightness can be modified in this section.

6.2.6 timer settings



Timer Settings:

The timer feature can be accessed on the main page. Select from the list of preset times to set a timer that will power off the appliance once the countdown is complete.

7.0 maintenance

7.1 cleaning

WARNING

- Always turn the heater off and unplug the power cord from the outlet before cleaning, performing maintenance, or moving this appliance. Failure to do so could result in electric shock, fire, or personal injury.
- Never immerse in water or spray with water. Doing so could result in electric shock, fire, or personal injury.

Metal:

- Buff using a soft cloth, slightly dampened with a citrus oil-based product.
- Do not use brass polish or household cleaners as these products will damage the metal trim.

Glass:

- Use a good quality cleaner sprayed onto the cloth or towel. Dry thoroughly with a paper towel or lint-free cloth.
- Never use abrasive cleaners, liquid sprays, or any cleaner that could scratch the surface.

Vents:

- Use a vacuum or duster to remove dust and dirt from the heater and vent areas.

Plastic:

- Wipe gently with a slightly damp cloth and a mild solution of dish soap and warm water.
- Never use abrasive cleaners, liquid sprays, or any cleaner that could scratch the surface.



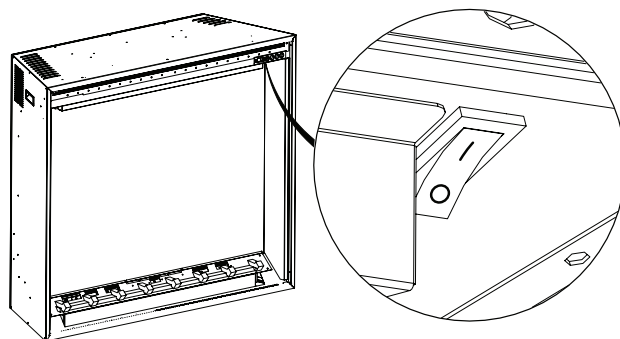
Batteries must be disposed of according to the local laws and regulations. Some batteries may be recycled, and may be accepted for disposal at your local recycling center. Check with your municipality for recycling instructions.

7.2 heater lockout switch

This fireplace features a switch that can be actioned to provide physical lockout means for the heater.

This switch is located above the touch panel to provide additional measures to lock out the operation of the heater.

To access the lock out switch, remove the decorative trim and the front glass.



8.0 replacement parts

WARNING

- Failure to position the parts in accordance with this manual or failure to use only parts specifically approved with this appliance may result in property damage or personal injury.

Contact your dealer for questions concerning prices and policies on replacement parts. Normally, all parts can be ordered through your Authorized dealer / distributor.

For warranty replacement parts, a photocopy of the original invoice will be required to honour the claim.

When ordering replacement parts always give the following information:

- Model & serial number of appliance
- Installation date of appliance
- Part number
- Description of part
- Finish

Parts, part numbers, and availability are subject to change without notice.

Parts identified as stocked will be delivered within 2 to 5 business days for most delivery destinations.

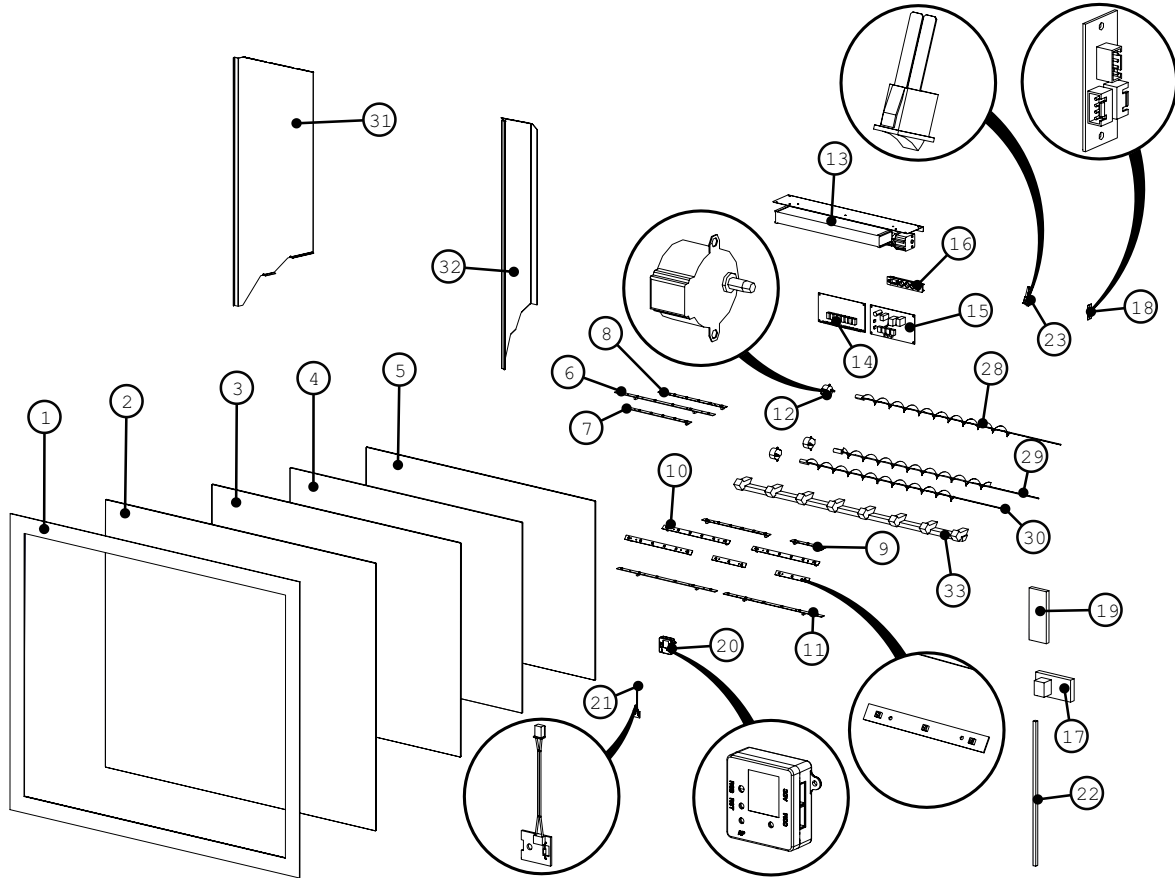
Parts not identified as stocked will be delivered within a 2 to 4 week period, for most cases.

Parts identified as 'SO' are special order and can take up to 90 days for delivery.

8.1 NEFB36H-MF/ NEFB42H-MF

note:

Care must be taken when removing and disposing of any broken glass or damaged components. Be sure to vacuum away any broken glass from inside the appliance before operation.



Items may not appear exactly as illustrated.

| No. | Description | NEFB36H-MF | NEFB42H-MF |
|-----|---------------------------------|---------------|---------------|
| 1 | 1 Pc Trim | W715-10002572 | W715-10002573 |
| 2 | Front Glass | W300-10002534 | W300-10002535 |
| 3 | Flame Projection Glass - Front | W300-10002536 | W300-10002537 |
| 4 | Flame Projection Glass - Middle | W300-10002538 | W300-10002539 |
| 5 | Flame Display Panel - Rear | W475-10002540 | W475-10002541 |
| 6 | Top LED Light | W405-10000213 | |
| 7 | Front or Middle Flame LED Light | W405-10002554 | W405-10002555 |
| 8 | Rear Flame LED Light | W405-10002552 | W405-10002553 |
| 9 | Ember LED Type 1 | W405-10000214 | |

Table continue in page 35

| No. | Description | NEFB36H-MF | NEFB42H-MF |
|-----|---------------------------------------|-------------------|---------------|
| 10 | Ember LED Type 2 | W405-10002556 | |
| 11 | Ember LED Type 3 | W405-10002557 | |
| 12 | Reflector Motor | W435-10002558 | |
| 13 | Heater Blower Assembly | W010-10002559 | |
| 14 | Main PCB Board | W190-10002566-SER | |
| 15 | Power PCB Board | W190-0260 | |
| 16 | Touch Control Panel | W190-10002567 | |
| 17 | Wiring Protection Board | W190-10002568 | |
| 18 | Wallmount Controller Connection Board | W190-10002569 | |
| 19 | Handheld Remote Controller | W190-10002570 | |
| 20 | IoT Module Assembly | W010-10009419 | |
| 21 | Temperature Sensor | W190-10000219 | |
| 22 | Remote Controller Receiver | W190-10000217 | |
| 23 | Rocket Switch | W660-0175 | |
| 24 | High Voltage Wire Harness* | W750-10002574 | W750-10002575 |
| 25 | Low Voltage Wire Harness* | W750-10002576 | W750-10002577 |
| 26 | Ember Bed* | W497-10002578 | W497-10002579 |
| 27 | Logset Kit* | W370-10002550 | W370-10002551 |
| 28 | Reflector Spindle - Rear | W010-10002560 | W010-10002561 |
| 29 | Reflector Spindle - Middle | W010-10002562 | W010-10002563 |
| 30 | Reflector Spindle - Front | W010-10002564 | W010-10002565 |
| 31 | Reflective Panel - Left Side | W475-10002542 | W475-10002543 |
| 32 | Reflective Panel - Right Side | W475-10002544 | W475-10002545 |
| 33 | Grate | W185-10002546 | W185-10002547 |
| 34 | Suction Disc* | W220-10002548 | |
| 35 | Hardware Kit* | W370-10002549 | |

* Part not illustrated

9.0 troubleshooting

WARNING

- Turn off the appliance completely and let cool before servicing. Only a qualified service person should service and repair this electric appliance.

| symptom | problem | solution |
|------------------------------------------------------------------------------------|---------------------------------------------------------------------------------|-----------------------------------------------------------------------------------------------------------------------------------------------------------------------------------------------------------------|
| Appliance will not come on when power button/switch is put into the "ON" position. | Appliance is not plugged into an electrical outlet. | Check plug, and plug in the appliance if necessary. |
| | Hard wire connections are not correct. | See "hard-wiring installation" section. |
| | Appliance has overheated and safety thermal switch has tripped. | Unplug power or turn off the circuit breaker, allow appliance to cool for 15 minutes, then plug in the appliance or turn the breaker on. |
| | Main PCB board issue. | Inspect the circuit board and replace, if necessary. |
| Appliance turns OFF and will not turn ON. | House circuit breaker has tripped. | Reset house circuit breaker. |
| | Appliance's fuse has blown. | Replace the fuse. |
| | Appliance has overheated and safety thermal switch has tripped. | Unplug power or turn off the circuit breaker, allow appliance to cool for 15 minutes to reset the thermal switch, then plug in the appliance or turn the breaker on. |
| Appliance has returned to default settings. | Power failure. | Re-program appliance to original settings (not applicable with all appliances). |
| Remote control does not work. | Low/dead batteries. | Replace batteries in remote control. |
| | Remote receiver malfunction. | Ensure remote receiver is not blocked. Replace control panel. |
| No warm air coming out of the appliance. | Heater setting not selected. | See "operation" section. |
| | Heater has been locked out. | See "operation" section. |
| | Room temperature is higher than appliance setting (if set to room temperature). | Reset temperature setting. |
| | Appliance has overheated and safety thermal switch has tripped. | Unplug power or turn off the circuit breaker. Allow for appliance to cool for 15 minutes. |
| | Hard wire connections are not correct. | See "hard-wiring installation" section. |
| | Heater issue. | Inspect the blower and heater and replace, if necessary. |
| Heater shuts off automatically. | Room is too warm. | The heater has a built-in thermostat so it will shut off automatically once the pre-set temperature is reached. It will also turn on automatically if the room temperature drops below the pre-set temperature. |

| symptom | problem | solution |
|------------------------------------------------------------------------------------------------------|---------------------------------------------------------------------------------------------------------------------------------------------------------------------------------|-------------------------------------------------------------------------------------------------------------------------------------------------------------------------------------|
| Dim or no flame | Flame brightness not selected. | See "operation" section. |
| | Flame LEDs issue. | Inspect the LED and replace, if necessary. |
| | Main PCB board issue. | Inspect the main PCB board and replace, if necessary. |
| Top Light is not glowing or dimming | Brightness not selected. | See "operation" section. |
| | Ember LED issue. | Inspect the ember bed LEDs and replace, if necessary. |
| | Main PCB board issue. | Inspect the main PCB board and replace, if necessary. |
| Ember bed is not glowing or dimming. | Brightness not selected. | See "operation" section. |
| | Ember LED issue. | Inspect the ember bed LEDs and replace, if necessary. |
| | Main PCB board issue. | Inspect the main PCB board and replace, if necessary. |
| Appliance will not turn ON and long continuous beep when power ON / Plugged in. | 120/240V protection PCB has detected a fault in supply connection. | Consult local Service Dealer. Inspect the Hard wire Supply connection. |
| LED flashing "OH". | Appliance has overheated and safety thermal switch has tripped. | Unplug power or turn OFF the circuit breaker. Allow appliance to cool for 15 minutes, then plug in the appliance or turn the breaker ON. If problem persists, consults your dealer. |
| LED flashing "E-1". | Error code for heating element. | Consult local service dealer. |
| | | Inspect wire harness / replace blower and heater assembly. |
| LED flashing "E-2". | Error code for blower. | Consult local service dealer. |
| | | Inspect wire harness / replace blower and heater assembly. |
| LED flashing "E-11". | Error code for temperature sensor. | Consult local service dealer. Inspect / replace temperature sensor. |
| LED flashing "E-25". | Ambient room temperature is too high to continue heating which could result in Hyperthermia. Heater has been turned OFF until the ambient room temperature reaches safe levels. | Once the room temperature is below 30 °C, you may resume operation of the unit. If problem persists, consult your service dealer. |
| LED flashing "E-27". Note: This symptom only exists on units manufactured before May 2026. | Ambient room temperature has significantly dropped, possibly due to an open door or window. | Ensure all windows and doors are closed. Turn OFF and Turn ON the fireplace. |
| LED flashing "E-28". | Fireplace has not detected any action from the user for the past 24 hours, the heater has been automatically turned OFF. | Resume the operation of the unit immediately. |
| LED flashing "E-29". | During Wi-Fi setup, device is not able to connect to the device. | Resume the Wi-Fi setting up mode and try reconnecting the unit. |



NAPOLEON® ELECTRIC APPLIANCE 5 YEAR LIMITED WARRANTY

Napoleon® electric appliances are manufactured under the strict Standard of the world recognized ISO 9001: 2015 Quality Management System.

Napoleon® products are designed with superior components and materials and assembled by trained craftsmen who take great pride in their work. Once assembled, the complete appliance is thoroughly inspected by a qualified and authorized installer, service agency, or supplier before packing to ensure that you, the customer, receive the quality product that you expect from Napoleon®.

Electrical components and wearable parts are covered, and Napoleon will provide

replacement parts free of charge during the first 5 years, beginning on the date of original installation. This covers: fan/heaters, motors, switches, nylon bearing components, remote controls, and LED lights. * Light bulbs and fuses are NOT covered by the warranty.

After the first year, Napoleon® will not be responsible for installation, labour, or any other expenses related to the reinstallation of a warranted part, and such expenses are not covered by this warranty.

** Construction of models vary. The warranty applies only to components included with your specific appliance.*

WARRANTY CONDITIONS AND LIMITATIONS

Napoleon® warrants its products against manufacturing defects to the original purchaser only.

Provided that the purchase was made through an authorized Napoleon® dealer, your appliance is subject to the following conditions and limitations:

Warranty coverage begins on the date of original installation.

This factory warranty is non-transferable and may not be extended whatsoever by any of our representatives.

Installation must be done in accordance with the installation instructions included with the product and all local and national building and fire codes.

This 5 year Limited Warranty does not cover damage caused by misuse, lack of maintenance, accident, alterations, abuse, or neglect and parts installed from other manufacturers will nullify this warranty.

This 5 year Limited Warranty further does not cover any scratches, dents, corrosion, or discolouring caused by excessive heat, abrasive and chemical cleaners, nor chipping on porcelain enamel parts, mechanical breakage of PHAZER™ logs.

In the first 5 years only, this warranty extends to the repair or replacement of warranted parts which are defective in material or workmanship, provided that the product has been operated in accordance with the operation instructions and under normal conditions.

After the first year, Napoleon® will not be responsible for installation, labour, or any other expenses related to the reinstallation of a warranted part, and such expenses are not covered by this warranty. Notwithstanding any provisions contained in the 5 year Limited Warranty, Napoleon® responsibility under this warranty is defined as above, and it shall not in any event extend to any incidental, consequential, or indirect damages.

This warranty defines the obligations and liability of Napoleon® with respect to the Napoleon® electric appliance and any other warranties expressed or implied with respect to this product; its components or accessories are excluded.

Napoleon® neither assumes, nor authorizes any third party to assume, on its behalf, any other liabilities with respect to the sale of this product.

Any damage to appliance, brass trim or other components due to water, weather damage, long periods of dampness, condensation, damaging chemicals, or cleaners will not be the responsibility of Napoleon®.

Napoleon® reserves the right to have its representative inspect any product or part thereof prior to honouring any warranty claim.

All parts replaced under the 5 year Limited Warranty Policy are subject to a single claim.

All parts replaced under the warranty will be covered for a period of 90 days from the date of their installation.

The manufacturer may require that defective parts or products be returned or that digital pictures be provided to support the claim. Returned products are to be shipped prepaid to the manufacturer for investigation. If a product is found to be defective, the manufacturer will repair or replace such defects.

Before shipping your appliance or defective components, your dealer must obtain an authorization number. Any merchandise shipped without authorization will be refused and returned to the sender.

Shipping costs are not covered under this warranty.

Additional service fees may apply if you are seeking a warranty service from a dealer.

**To register
your
appliance,
scan here.**



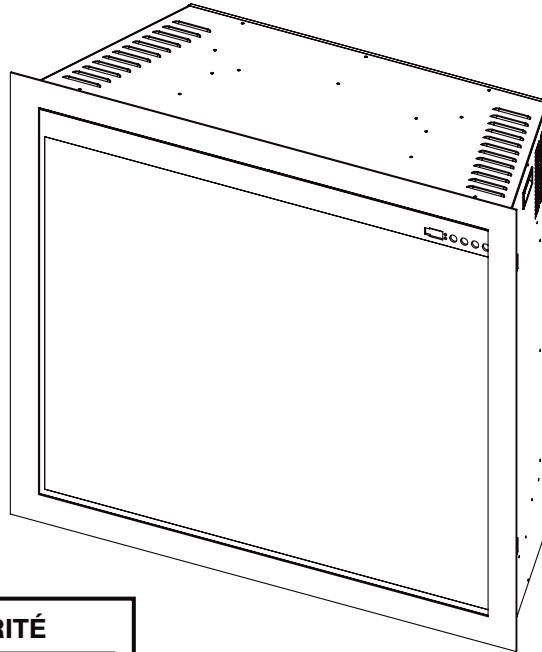
All specifications and designs are subject to change without prior notice due to on-going product improvements. Napoleon® is a registered trademark of Wolf Steel Ltd.®



MANUEL D'INSTALLATION ET D'OPÉRATION

Série de cheminées électriques Elevation

(illustration de NEFB36H-MF)



INFORMATIONS DE SÉCURITÉ

⚠ AVERTISSEMENT

RISQUE D'INCENDIE OU D'EXPLOSION

Si les informations contenues dans ces instructions ne sont pas suivies à la lettre, un incendie ou une explosion peut se produire, entraînant des dommages matériels, des blessures ou des pertes de vie.

- * Ne pas stocker ni utiliser d'essence ou d'autres vapeurs et liquides inflammables à proximité de cet appareil ou de tout autre appareil.

INSTALLATEUR :

Laisser ce manuel avec l'appareil.

PROPRIÉTAIRE :

Conserver ce manuel pour référence ultérieure.

Pour
enregistrer
votre appareil,
scannez ici.



POUR UTILISATION À L'INTÉRIEUR UNIQUEMENT

**CERTIFIÉ AUX NORMES NATIONALES
CANADIENNES ET AMÉRICAINES :
CSA 22.2 NO. 46 / UL 2021**



AVERTISSEMENT

- **Si équipé d'un chauffage, cet appareil peut être chaud lorsqu'il est en fonctionnement et peut causer des brûlures graves s'il est touché.**
- Ne pas utiliser l'appareil avant d'avoir lu et compris les instructions d'utilisation. Ne pas utiliser l'appareil selon les instructions d'utilisation pourrait provoquer un incendie ou des blessures.
- Ne pas installer des composants endommagés, incomplets ou de remplacement.
- Ne brûlez pas de bois ni d'autres matériaux dans cet appareil.
- Tous les appareils électriques contiennent des parties chaudes et des parties générant des arcs électriques ou des étincelles à l'intérieur. Ne pas l'utiliser dans des endroits où une conduite de gaz, de la peinture ou des liquides inflammables sont présents.
- Tout écran de sécurité ou protection retiré pour l'entretien doit être remplacé avant de faire fonctionner l'appareil.
- Il est impératif que les compartiments de commande, le ventilateur de circulation et son passage dans l'appareil soient maintenus propres. L'appareil doit être inspecté avant utilisation et au moins une fois par an par un technicien de service qualifié. Un nettoyage plus fréquent peut être nécessaire en raison d'une accumulation excessive de peluches provenant de la moquette, des matériaux de literie, etc. La zone autour de l'appareil doit être dégagée et exempte de matériaux combustibles, d'essence et d'autres vapeurs et liquides inflammables.
- En aucun cas cet appareil ne doit être modifié.
- Ne pas utiliser cet appareil si une partie a été sous l'eau. Appelez immédiatement un technicien de service qualifié pour inspecter l'appareil et remplacer toute partie du système de contrôle qui a été sous l'eau.
- Si équipé d'une porte en verre, ne pas faire fonctionner l'appareil avec la porte en verre retirée, fissurée ou cassée. Le remplacement du verre doit être effectué par une personne agréée ou qualifiée. Ne pas frapper ou claquer la porte en verre de l'appareil.
- Gardez le matériel d'emballage hors de la portée des enfants et éliminez-le de manière sûre. Comme tous les sacs en plastique, ceux-ci ne sont pas des jouets et doivent être tenus hors de portée des enfants et des nourrissons.
- L'entretien doit être effectué uniquement lorsque l'appareil est déconnecté du circuit d'alimentation électrique.
- Débranchez toujours l'appareil lorsque vous ne l'utilisez pas.
- N'utilisez pas cet appareil avec un cordon ou une fiche endommagé(e) après un dysfonctionnement de l'appareil, s'il est tombé ou endommagé de quelque manière que ce soit. Renvoyez l'appareil à un centre de service agréé pour examen, réglage électrique ou mécanique, ou réparation.
- Ne pas utiliser à l'extérieur.
- Lors de l'installation de cet appareil dans une pièce où de l'eau est présente, l'installation doit être conforme aux codes reconnaissant le risque accru de choc électrique et d'électrocution.

note:

Cet appareil n'est PAS adapté pour une installation dans une salle de bains.

- Ne passez pas le cordon sous un tapis. Ne couvrez pas le cordon avec des tapis, des couvreurs ou des objets similaires. Disposez le cordon loin des zones de passage et là où il ne risque pas d'être piétiné.
- Branchez uniquement sur des prises correctement mises à la terre.
- Ne pas insérer ni laisser pénétrer d'objets étrangers dans les ouvertures de ventilation ou d'évacuation, car cela peut causer un choc électrique ou un incendie, ou endommager l'appareil.
- Il est normal que votre appareil électrique produise du bruit, surtout lorsqu'il est installé dans un espace calme comme une chambre à coucher.

AVERTISSEMENT


- Pour éviter un incendie éventuel, ne bloquez pas les entrées d'air ou les sorties d'échappement de quelque manière que ce soit. Ne pas utiliser sur des surfaces molles, comme un tapis, où les ouvertures pourraient être bloquées.
- Branchez toujours les appareils directement dans une prise murale. N'utilisez jamais de rallonge ou ne déplacez pas la prise de courant.
- Ces appareils sont testés et homologués pour une utilisation uniquement avec les accessoires optionnels répertoriés dans ces instructions. L'utilisation d'accessoires optionnels non spécifiquement testés pour cet appareil pourrait annuler la garantie et/ou entraîner un risque pour la sécurité.

Pour les appareils équipés d'un chauffage :

- Risque de brûlures. Coupez l'alimentation de l'appareil et laissez-le refroidir avant toute intervention. Pour déconnecter l'alimentation de l'appareil, mettez les commandes sur "arrêt", puis retirez la fiche de la prise.
- Les jeunes enfants doivent être surveillés attentivement lorsqu'ils se trouvent dans la même pièce que l'appareil. Les tout-petits, les jeunes enfants et d'autres personnes peuvent être sensibles aux brûlures par contact accidentel. Une barrière physique est recommandée s'il y a des personnes à risque dans la maison. Pour restreindre l'accès à un appareil

ou à une cuisinière, installez une barrière de sécurité réglable pour empêcher les tout-petits, les jeunes enfants et les autres personnes à risque d'entrer dans la pièce et de toucher les surfaces chaudes.

- Les vêtements ou autres matériaux inflammables ne doivent pas être placés sur ou près de l'appareil.
- En raison des températures élevées, l'appareil doit être placé hors de la circulation et loin des meubles et des rideaux.
- Assurez-vous d'avoir pris des mesures de sécurité adéquates pour protéger les nourrissons/jeunes enfants contre le contact avec les surfaces chaudes.
- Même après l'arrêt de l'appareil, le verre et/ou l'écran resteront chauds pendant une période prolongée.
- Consultez votre revendeur spécialisé en cheminées local pour des écrans de sécurité et des protections de foyer afin de protéger les enfants des surfaces chaudes. Ces écrans et protections doivent être fixés au sol.
- Assurez-vous de maintenir les dégagements par rapport aux matériaux combustibles lors de la construction d'une tablette ou d'étagères au-dessus de l'appareil. Les températures élevées sur le mur ou dans l'air au-dessus de l'appareil peuvent faire fondre, décolorer ou endommager les décorations, un téléviseur ou d'autres composants électroniques.

 AVERTISSEMENT : Ce produit peut vous exposer à des produits chimiques, y compris le plomb et ses composés, reconnus par l'État de Californie comme pouvant causer le cancer, ainsi qu'à des produits chimiques, y compris le BBP et le DEHP, reconnus par l'État de Californie comme pouvant causer des malformations congénitales ou d'autres troubles de la reproduction. Pour plus d'informations, rendez-vous sur www.P65Warnings.ca.gov."

Cet appareil est conforme à la partie 15 des règles de la FCC. Son fonctionnement est soumis aux deux conditions suivantes :

1) L'appareil ne doit pas causer d'interférences nuisibles ; 2) L'appareil doit accepter toute interférence reçue, y compris les interférences pouvant provoquer un fonctionnement indésirable.

Les changements ou modifications non expressément approuvés par la partie responsable de la conformité pourraient annuler l'autorisation de l'utilisateur à utiliser l'équipement.

NOTE: Cet équipement a été testé et jugé conforme aux limites d'un appareil numérique de classe B, conformément à la partie 15 des règles de la FCC. Ces limites sont conçues pour fournir une protection raisonnable contre les interférences nuisibles dans une installation résidentielle. Cet équipement génère, utilise et peut émettre de l'énergie radiofréquence et, s'il n'est pas installé et utilisé conformément aux instructions, peut causer des interférences nuisibles aux communications radio. Cependant, il n'y a aucune

garantie que des interférences ne se produiront pas dans une installation particulière.

Si cet équipement cause des interférences nuisibles à la réception radio ou télévisée, ce qui peut être déterminé en allumant et en éteignant l'équipement, l'utilisateur est encouragé à essayer de corriger l'interférence par une ou plusieurs des mesures suivantes :

- Réorientez ou déplacez l'antenne de réception.
- Augmentez la distance entre l'équipement et le récepteur.
- Branchez l'équipement sur une prise de courant d'un circuit différent de celui sur lequel le récepteur est connecté.
- Consultez le revendeur ou un technicien radio/TV expérimenté pour obtenir de l'aide.

NOTE: Cet appareil et son antenne ne doivent pas être situés ou utilisés conjointement avec une autre antenne ou un autre émetteur.

| | | |
|-------------|---------------------------------------------------|-----------|
| 1.0 | information générale | 45 |
| 1.1 | dimensions | 45 |
| 1.2 | approbation de la cotation | 46 |
| 1.3 | instructions générales | 46 |
| 1.4 | déballage et test de l'appareil | 47 |
| 1.5 | liste du matériel | 48 |
| 1.6 | informations sur la plaque signalétique | 48 |
| 1.7 | emplacement de l'étiquette | 49 |
| 2.0 | vue d'ensemble de l'installation | 50 |
| 2.1 | espace libre minimum par rapport aux combustibles | 50 |
| 2.2 | dégagements minimaux du manteau | 51 |
| 2.3 | cadrage brut | 51 |
| 2.4 | installation et finition des appareils | 53 |
| 3.0 | information électrique | 55 |
| 3.1 | Installation de câblage 120 V | 56 |
| 3.2 | Installation de câblage 240 V | 57 |
| 3.3 | Installation optionnelle du contrôleur mural | 57 |
| 4.0 | schéma de câblage | 58 |
| 4.1 | Schéma de câblage NEFB36H-MF | 58 |
| 4.2 | Schéma de câblage NEFB42H-MF | 59 |
| 5.0 | fonctionnement | 60 |
| 5.1 | panneau de commande | 60 |
| 5.2 | télécommande de fonctionnement | 61 |
| 5.3 | contrôleur de fonctionnement pour montage mural | 64 |
| 6.0 | connectivité Napoleon® | 65 |
| 6.1 | connexion à l'application | 66 |
| 6.2 | utiliser l'application | 68 |
| 6.2.1 | réglage de la puissance | 68 |
| 6.2.2 | réglage de la chaleur | 68 |
| 6.2.3 | ember bed setting | 69 |
| 6.2.4 | réglage de la flamme | 69 |
| 6.2.5 | réglages des lumières accessoires | 70 |
| 6.2.6 | réglages de la minuterie | 70 |
| 7.0 | entretien | 71 |
| 7.1 | nettoyage | 71 |
| 7.2 | interrupteur de blocage du chauffage | 71 |
| 8.0 | pièces de rechange | 72 |
| 8.1 | NEFB36H-MF/ NEFB42H-MF | 73 |
| 9.0 | dépannage | 75 |
| 10.0 | garantie | 78 |

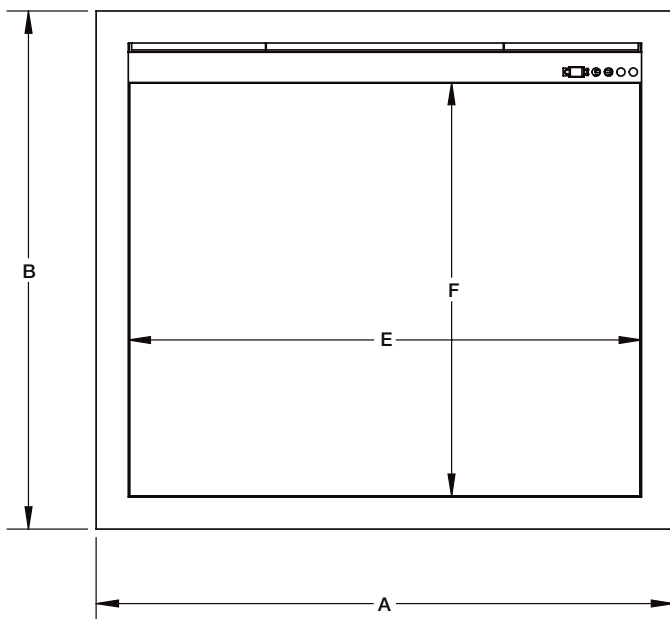
note:

L'information contenue dans ce manuel est réputée correcte au moment de l'impression. Wolf Steel Ltd. se réserve le droit de modifier ou de modifier toute information dans ce manuel à tout moment et sans préavis. Les modifications, autres que rédactionnelles, sont indiquées par une ligne verticale dans la marge.

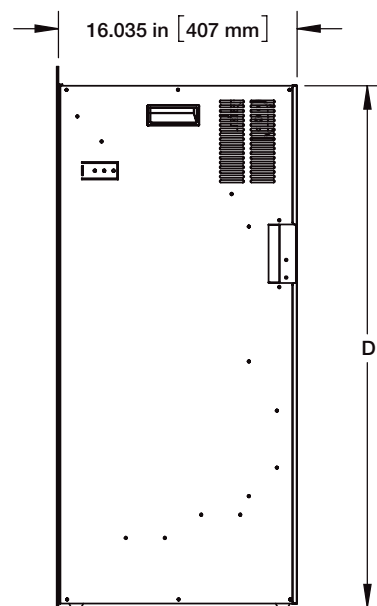
1.0 information générale

1.1 dimensions

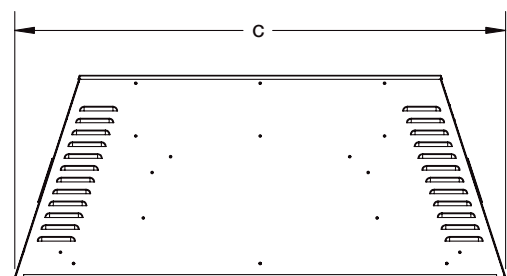
Vue de face



Vue de côté



Vue de dessus



| Dimensions | | | | | | |
|------------------|-----------------------------------------|-----------------------------------------|----------------------------------|-------------------------------------|---------------------|------------------------------------|
| Numéro de modèle | A Largeur de la garniture décorative | B Hauteur de la garniture décorative | C Appareil largeur extérieure | D Appareil Hauteur de l'appareil | E Vue Largeur | F Hauteur Hauteur de l'appareil |
| NEFB36H-MF | 40 3/8 [1026 mm] | 36 3/8 [924 mm] | 38 13/16 [986 mm] | 35 5/16 [897 mm] | 35 3/4 [908 mm] | 29 1/16 [738 mm] |
| NEFB42H-MF | 46 3/8 [1178 mm] | 40 3/8 [1026 mm] | 44 13/16 [1138 mm] | 39 5/16 [999 mm] | 41 3/4 [1060 mm] | 33 1/16 [840 mm] |

1.2 approbation de la cotation

| Numéro de modèle | Poids net | Poids brut |
|------------------|--------------------|-------------------|
| NEFB36H-MF | 146 lbs (66.15 kg) | 180 lbs (81.5 kg) |
| NEFB42H-MF | 176.5 lbs (80 kg) | 211lbs (95.6 kg) |

Cet appareil a été testé conformément aux normes CSA pour les appareils électriques fixes et dédiés à un emplacement dans les États-Unis et au Canada.

| | |
|------------------------|----------------------------------------------|
| Description | Appareil électrique |
| Type d'appareil | A encastrer uniquement |
| Tension | 120 V AC / 240 V AC * |
| Watts | MAX 1465 W / 2930 W * |
| Ampères | Circuit dédié de 15 AMP avec mise à la terre |

Si vous avez besoin d'aide lors de l'installation, veuillez contacter votre revendeur local."

note:

Cet appareil doit être câblé électriquement et mis à la terre conformément aux codes locaux ou, en l'absence de codes locaux, à la dernière édition du Code national de l'électricité ANSI/NFPA 70 aux États-Unis ou au Code canadien de l'électricité, CSA C22.1 au Canada.

1.3 instructions générales

- Cet appareil est conçu pour être entièrement encastré dans une enceinte.
- Assurez-vous de tester l'appareil une fois installé dans le cadre fini pour vérifier que toutes les fonctions fonctionnent comme prévu.
- Cet appareil peut être entretenu lorsqu'il est dans une enceinte.
- L'appareil peut émettre une légère odeur inoffensive lors de sa première utilisation. Cette odeur est normale et est causée par le chauffage initial des éléments internes de l'appareil et ne se produira plus par la suite.
- Si votre appareil ne dégage pas de chaleur lorsque cela est demandé, consultez la section "fonctionnement" de ce manuel pour plus d'informations.
- Avant de brancher votre appareil dans une prise électrique, vérifiez que les disjoncteurs du circuit de la prise sont allumés.

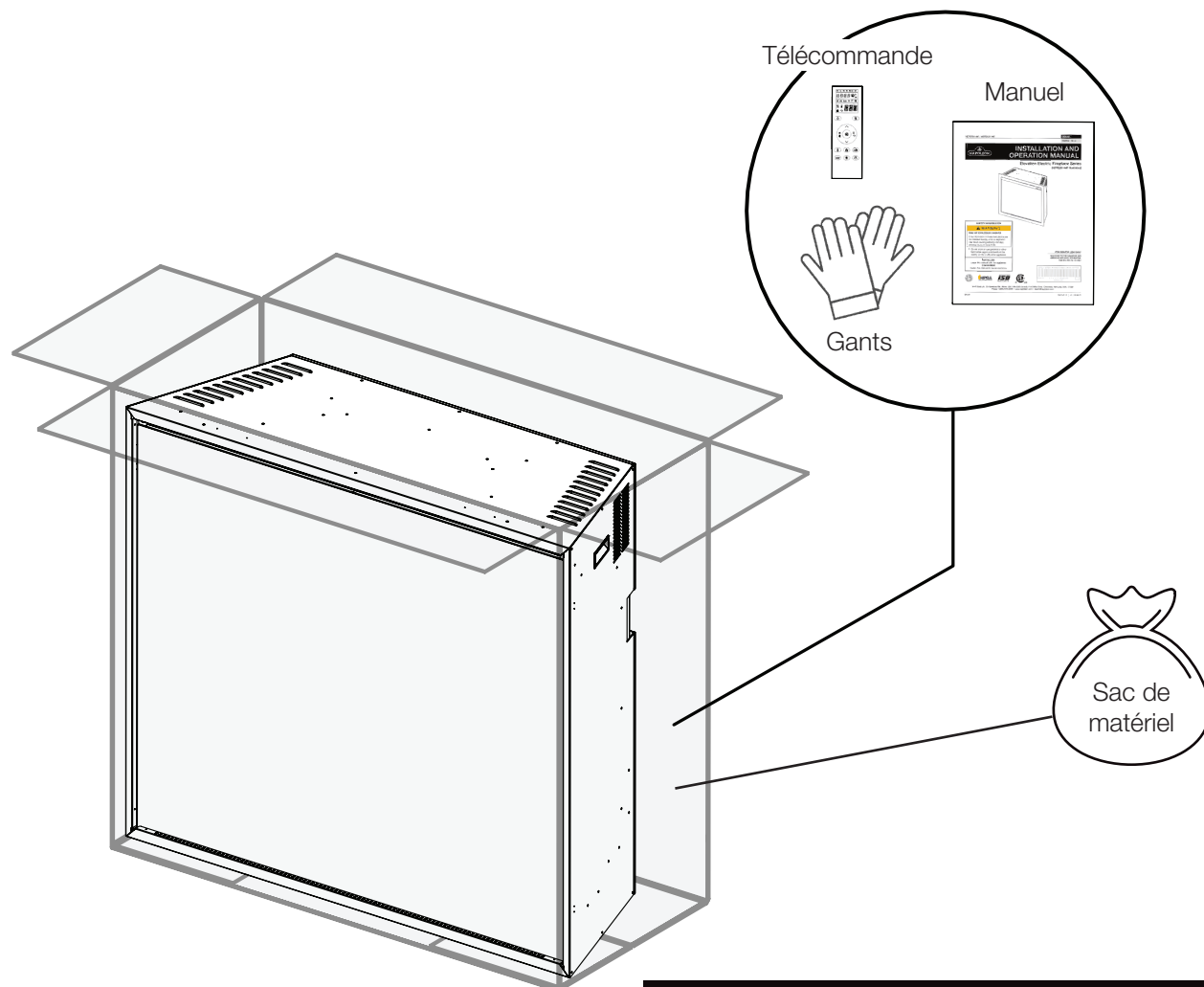
- Utilisez avec un parasurtenseur certifié CSA ou UL.
- Ne faites pas passer le cordon d'alimentation directement sous l'appareil.

Cet appareil électrique répond aux normes de construction et de sécurité du H.U.D. pour une application dans les maisons préfabriquées lorsqu'il est installé selon ces instructions.

Comme la plupart des appareils électroniques, votre nouvel appareil électrique a été conçu pour fonctionner à des températures comprises entre 5°C (41°F) et 35°C (95°F). Pendant les mois d'hiver plus froids, laissez l'appareil atteindre la température ambiante avant de l'allumer.

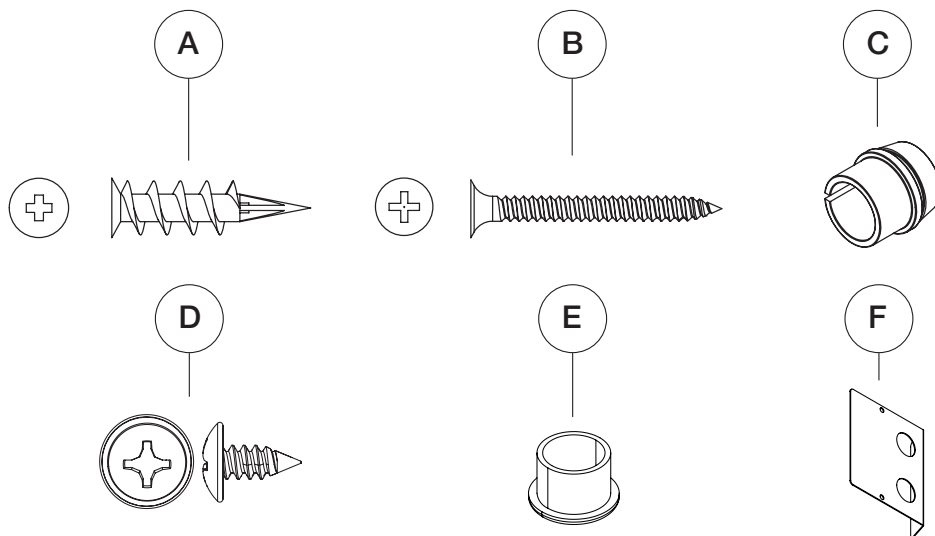
1.4 déballage et test de l'appareil

Assurez-vous de déballer cet appareil à deux personnes. Référez-vous à la liste du matériel (voir la section "liste du matériel") pour vous préparer à l'installation.

**note:**

L'emplacement exact de l'emballage peut varier. Une partie de l'emballage peut être cachée pour plus de clarté.

1.5 liste du matériel



| Liste du matériel | | |
|-------------------|------------------------------|------------------|
| Article | Description | Nombre de pièces |
| A | Vis à bois | 4 |
| B | Ancrage pour cloisons sèches | 4 |
| C | Soulagement de la tension | 1 |
| D | Vis à métaux ST4x12 | 12 |
| E | Bouchons en plastique | 2 |
| F | Plaque de recouvrement | 1 |

1.6 informations sur la plaque signalétique

L'illustration ci-dessous n'est donnée qu'à titre indicatif. Reportez-vous à la plaque signalétique de l'appareil pour obtenir des informations précises.

CERTIFIED UNDER CANADIAN AND AMERICAN NATIONAL STANDARD: CSA 22.2 NO. 46 AND UL 2021 / HOMOLOGUÉ SELON LES NORMES NATIONALES CANADIENNES ET AMÉRICAINES: CSA 22.2 NO. 46 UL 2021

ELECTRIC FIREPLACE. SUITABLE FOR BEDROOM AND BED-SITTING ROOM INSTALLATION. SUITABLE FOR MOBILE HOME INSTALLATION.

FOYER ÉLECTRIQUE. HOMOLOGUÉ POUR INSTALLATION DANS UNE CHAMBRE À COUCHER, UNE SALLE DE BAIN ET UN STUDIO. APPROPRIÉ POUR INSTALLATION DANS UNE MAISON MOBILE.

NEFB36H-MF NEFB42H-MF

VOLTAGE: 120V AC / 240V AC TENSION: 120V AC / 240V AC
 FREQUENCY: 60Hz FRÉQUENCE: 60Hz
 POWER: 1500/3000W PUISSANCE: 1500/3000W
 DATE CODE: XXXXX CODE DE DATE: XXXXX

DESIGNED IN NORTH AMERICA DÉSIGNÉ EN AMÉRIQUE DU NORD PAR WOLF STEEL LTD.
 BY WOLF STEEL LTD. FABRIQUÉ EN CHINE
 MADE IN CHINA

WOLF STEEL LTD.
 24 NAPOLEON ROAD,
 BARRIE, ON, L4M 0G8 CANADA

SERIAL NUMBER/NO. DE SÉRIE: **NEFBXXHMF** W385-10001347

ÉCHANTILLON

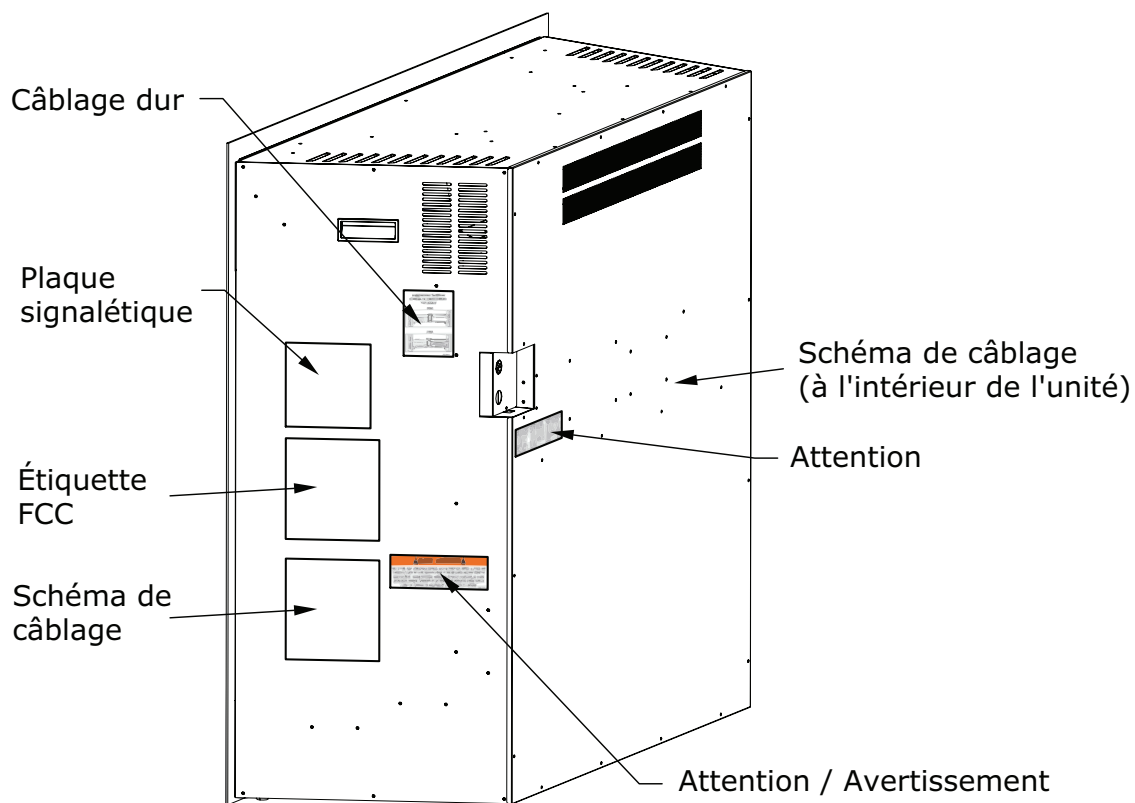
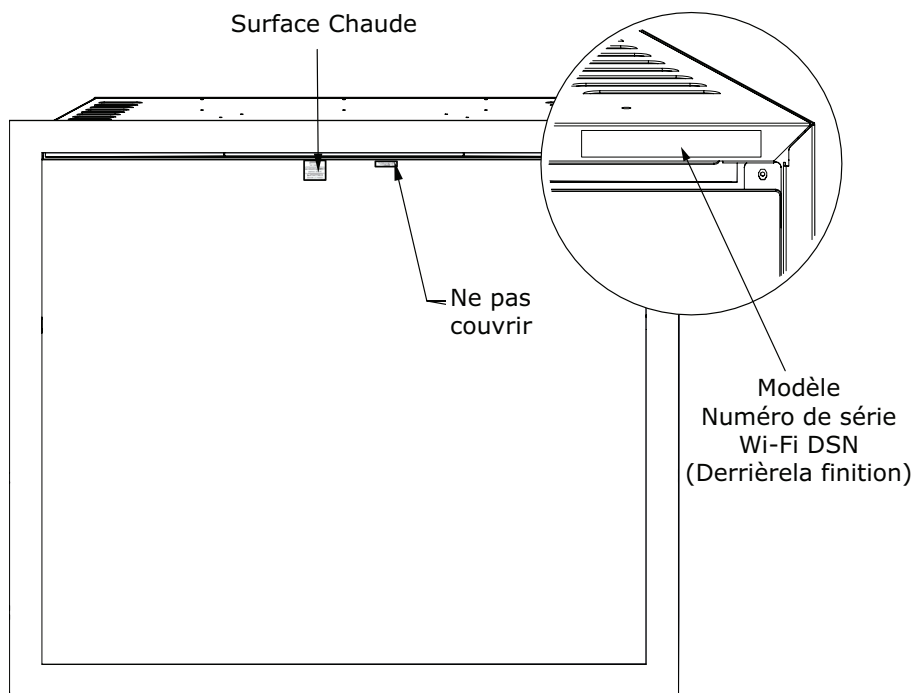
MODEL CONTRACT: 161746
 CONTRACT-CADRE: 161746

FC

note:

La plaque signalétique doit rester avec l'appareil à tout moment. Elle ne doit pas être enlevée.

1.7 emplacement de l'étiquette



2.0 vue d'ensemble de l'installation

AVERTISSEMENT

- Risque d'incendie ! Le cordon d'alimentation ne doit pas être pincé contre un bord tranchant. Attachez le cordon pour éviter les trébuchements ou les accrochages afin de réduire le risque d'incendie, de choc électrique ou de blessure personnelle. Ne faites pas passer le cordon sous les tapis. Ne couvrez pas le cordon avec des tapis, des coureurs ou des articles similaires. Disposez le cordon à l'écart des zones de passage pour éviter les trébuchements.
- Risque d'incendie ! Pour éviter un incendie possible, ne bloquez pas l'entrée d'air ou l'échappement de quelque manière que ce soit. N'utilisez pas sur des surfaces molles où les ouvertures pourraient être obstruées.
- Risque d'incendie ! Ne soufflez pas ou ne placez pas d'isolant contre l'appareil.
- Cet appareil électrique est testé et homologué pour être utilisé uniquement avec les accessoires optionnels approuvés. L'utilisation d'accessoires optionnels non spécifiquement testés pour cet appareil électrique pourrait annuler la garantie et/ou entraîner un danger pour la sécurité.
- Ne pas suivre exactement ces instructions peut entraîner un incendie ou une explosion, causant des dommages matériels, des blessures personnelles ou la mort. Ne pas stocker ni utiliser d'essence ou d'autres vapeurs inflammables près de cet appareil ou de tout autre appareil.
- Cet appareil est lourd. Il est fortement recommandé que deux personnes l'installent pour des raisons de sécurité.
- Si votre appareil est équipé d'un chauffage, assurez-vous que les événements du chauffage ne peuvent pas être recouverts de quelque manière que ce soit, car cela pourrait créer un risque d'incendie.
- Ne faites pas passer le cordon d'alimentation horizontalement, directement en dessous de l'appareil.

Votre NEFB42H-BS est un appareil encastré. Sélectionnez un emplacement approprié qui n'est pas exposé à l'humidité et qui est éloigné des rideaux, des meubles et des zones à fort passage.

note:
Suivez tous les codes électriques nationaux et locaux.

2.1 espace libre minimum par rapport aux combustibles

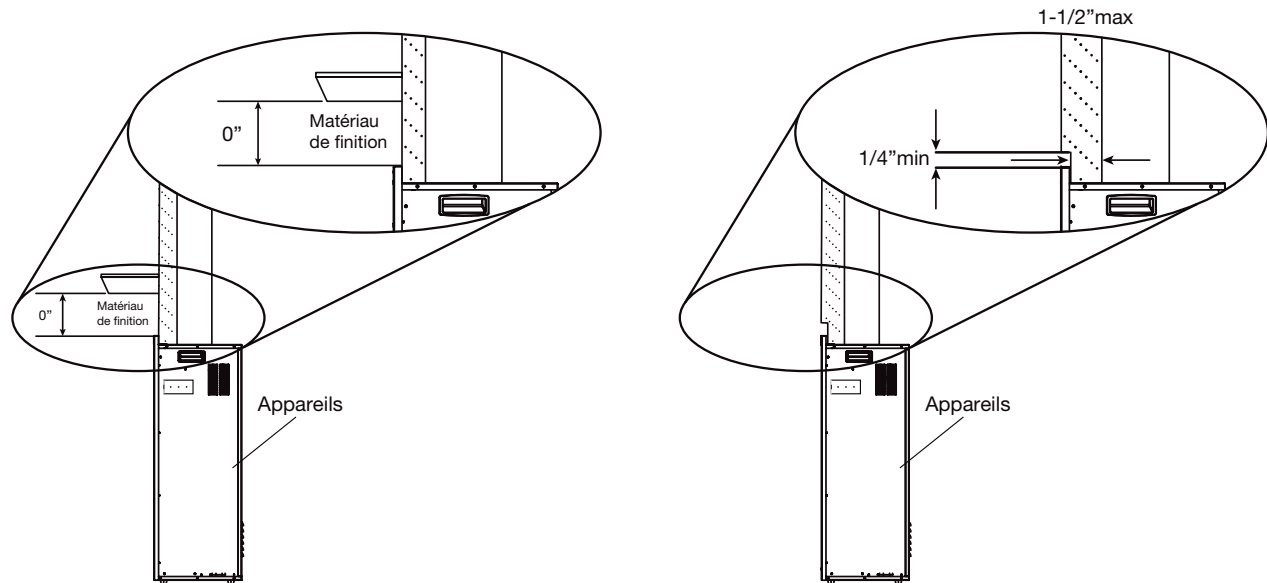
| Les mesures sont prises à partir de la façade en verre | | | |
|--------------------------------------------------------|----|---------------------|------------------|
| Fond | 0" | HAUT DE PAGE | 0" à la cheminée |
| Côtés | 0" | HAUT DE PAGE | 0" au plafond |
| Dos | 0" | | |

note:
L'interrupteur d'alimentation est situé en haut à droite de l'appareil. Veillez à ce que cet interrupteur soit toujours accessible.

2.2 dégagements minimaux du manteau

! AVERTISSEMENT

- La peinture ou la laque utilisée pour la finition de la cheminée doit être résistante à la chaleur afin d'éviter toute décoloration.



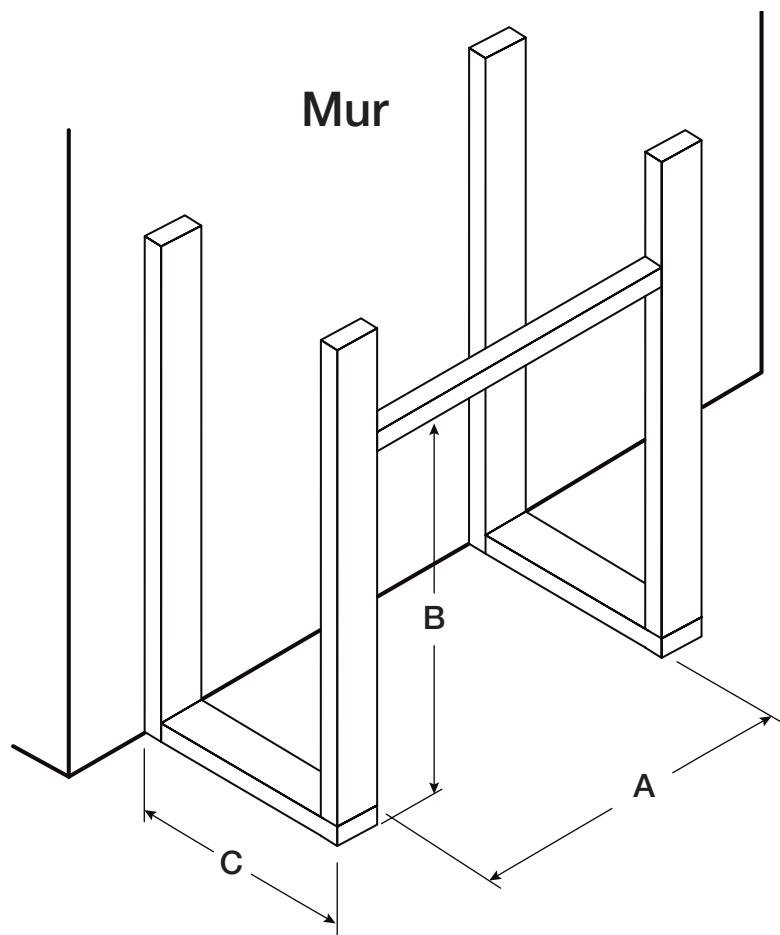
2.3 cadrage brut

! AVERTISSEMENT

- Choisissez un emplacement qui n'est pas sujet à l'humidité et qui est situé à au moins 36" (91,4 cm) des matériaux combustibles tels que les rideaux, les meubles, la literie, le papier, etc..

note:

- Il est recommandé de terminer le revêtement mural avant de fixer complètement l'appareil.
- Une fois le cadre brut et les matériaux de finition préparés et que l'alimentation électrique a été acheminée vers le côté droit de l'encastrement, l'appareil peut être installé.
- La connexion électrique doit être effectuée avant de placer l'appareil en position (voir la section "informations électriques").
- Deux personnes doivent soulever l'appareil en position.
- Afin d'éviter que l'isolant exposé ou le pare-vapeur entre en contact avec le corps de l'appareil, il est recommandé que les murs de l'enceinte de l'appareil soient "finis" (c'est-à-dire placoplâtre, etc.) comme vous finiriez tout autre mur extérieur d'une maison. Cela garantira que les dégagements par rapport aux matériaux combustibles sont maintenus à l'intérieur de l'enceinte.

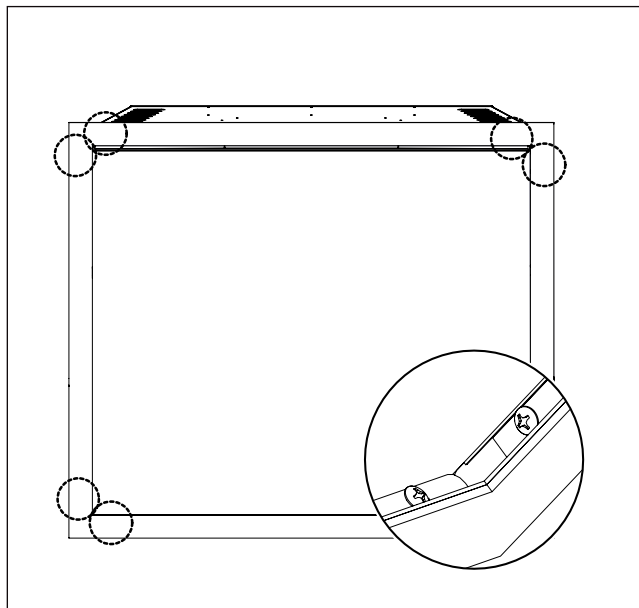


| Dimensions de l'encadrement | Modèle | |
|-----------------------------|------------|------------|
| | NEFB36H-MF | NEFB42H-MF |
| A (Largeur du cadre) | 39 3/4" | 45 3/4" |
| B (Hauteur du cadre) | 35 9/16" | 39 9/16" |
| C (Profondeur du cadre) | 16 1/4" | 16 1/4" |

2.4 installation et finition des appareils

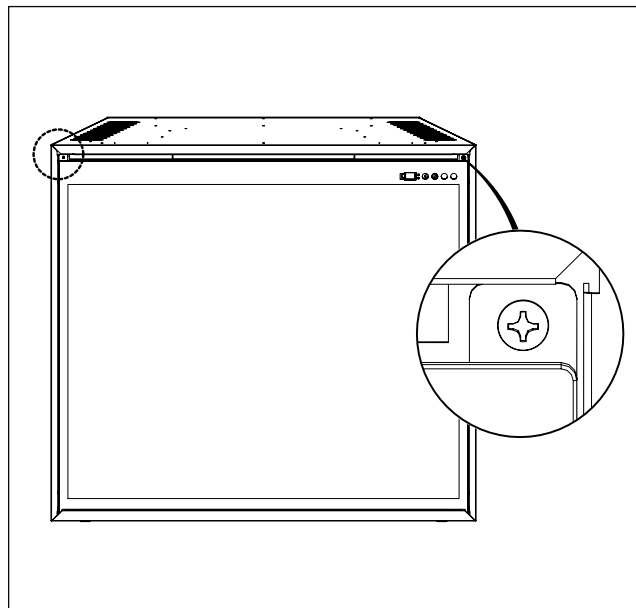
ÉTAPE 1 :

Retirez la garniture décorative avant en enlevant les 8 vis situées dans les coins de l'appareil.



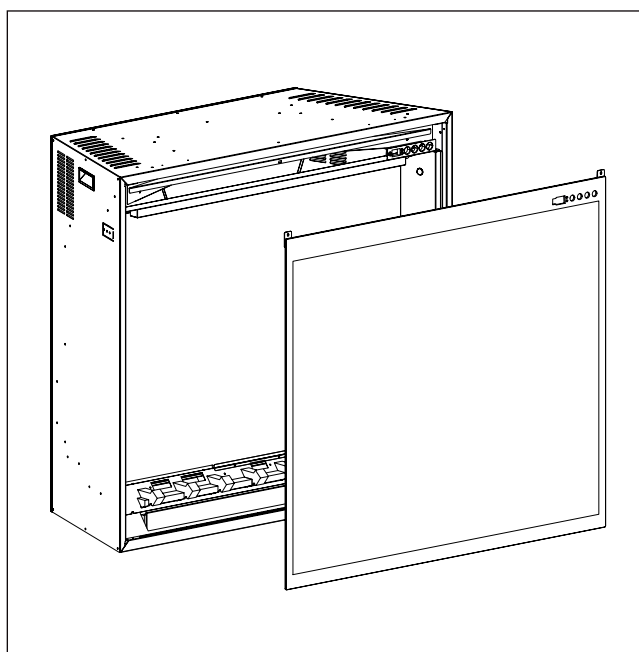
ÉTAPE 2 :

En gardant une main sur la porte vitrée pour éviter qu'elle ne cède, retirez les deux vis qui maintiennent la vitre avant en place.



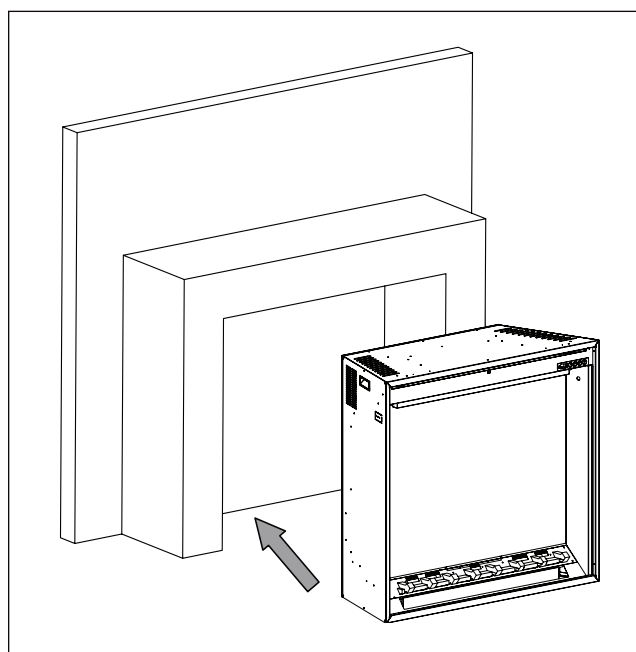
ÉTAPE 3 :

Soulevez délicatement la vitre frontale pour la sortir de la fente située au fond de la chambre de combustion. Posez la vitre frontale sur une surface douce et non abrasive.



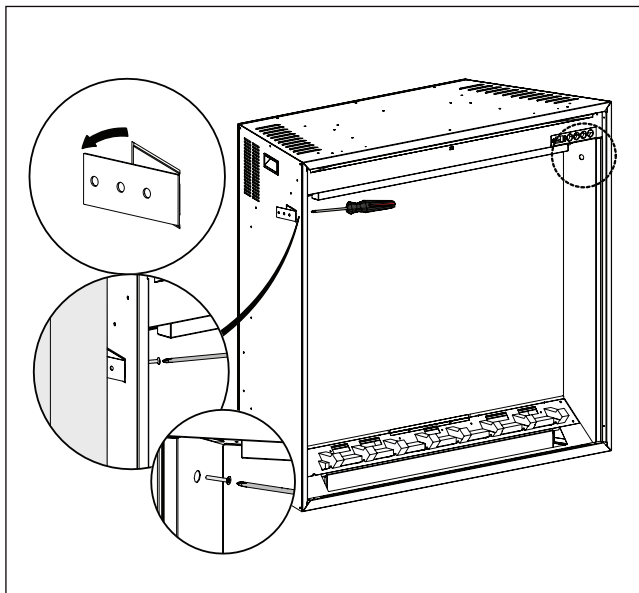
ÉTAPE 4 :

Après avoir terminé le câblage (voir la section "informations électriques"), soulevez avec précaution l'appareil pour le placer dans l'enceinte finie.



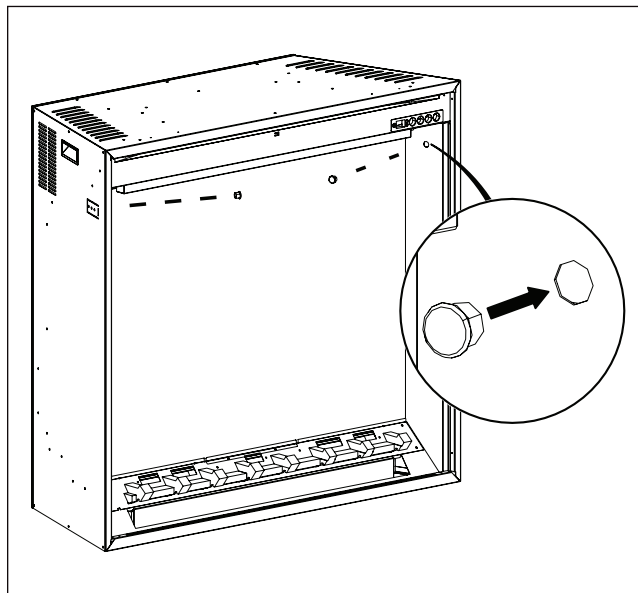
ÉTAPE 5:

À l'aide des vis à bois fournies, fixez l'appareil dans l'enceinte finie en le vissant de l'intérieur de la chambre de combustion à travers le trou d'accès dans l'un des avant-trous disponibles sur la languette de pliage, puis dans le côté de l'ossature. Ajustez l'appareil si nécessaire pour vous assurer qu'il est bien ajusté et aligné.



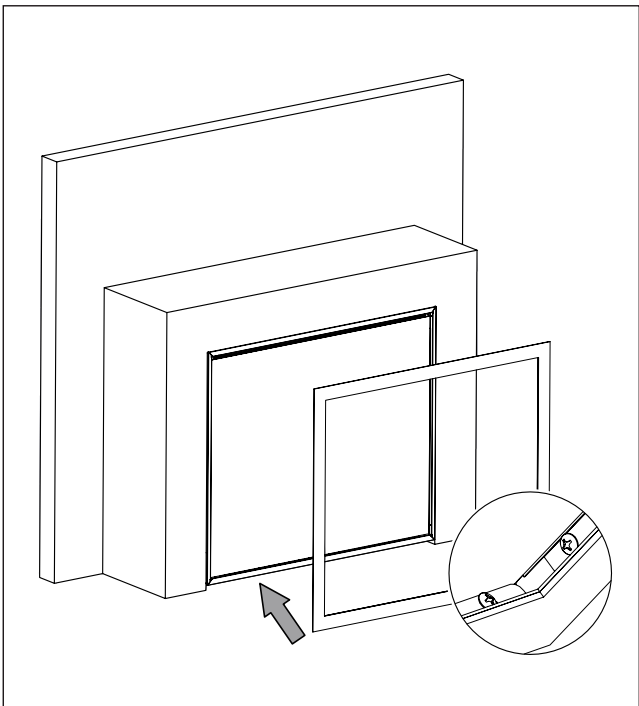
ÉTAPE 6 :

Fixez les capuchons en plastique (provenant du sac de quincaillerie) sur les panneaux réfléchissants pour couvrir les trous d'accès.



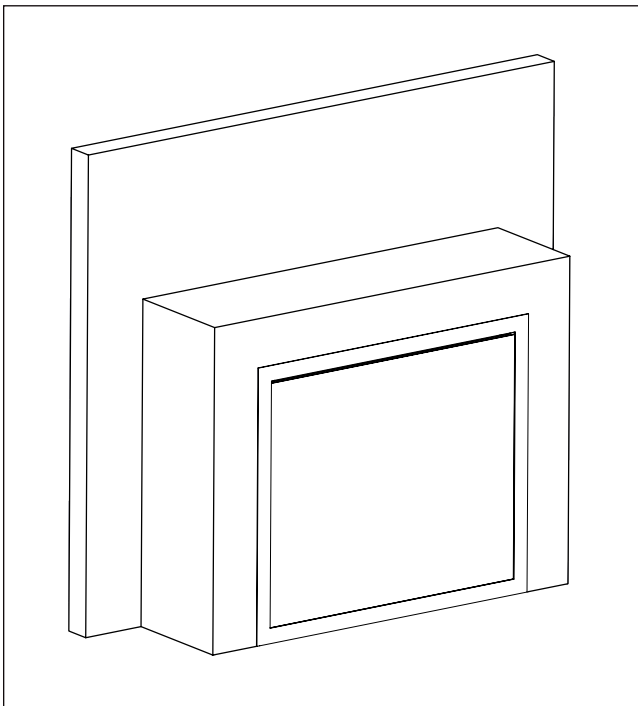
ÉTAPE 7:

Réinstallez la vitre frontale et la garniture décorative sur l'appareil pour terminer.



ÉTAPE 8:

Appareil fini.



3.0 information électrique

! AVERTISSEMENT

- Éteignez complètement l'appareil et laissez-le refroidir avant de l'entretenir. L'entretien et la réparation de cet appareil électrique ne doivent être confiés qu'à une personne qualifiée.

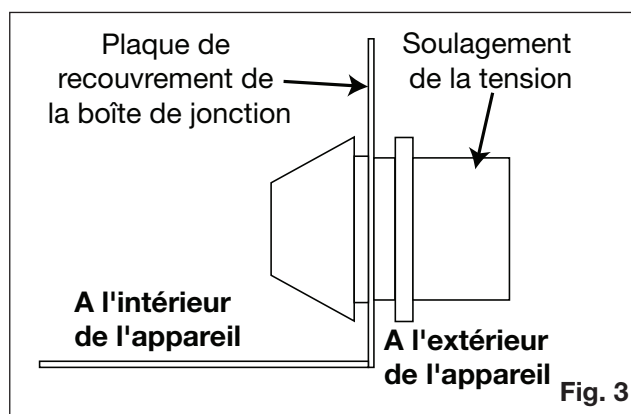
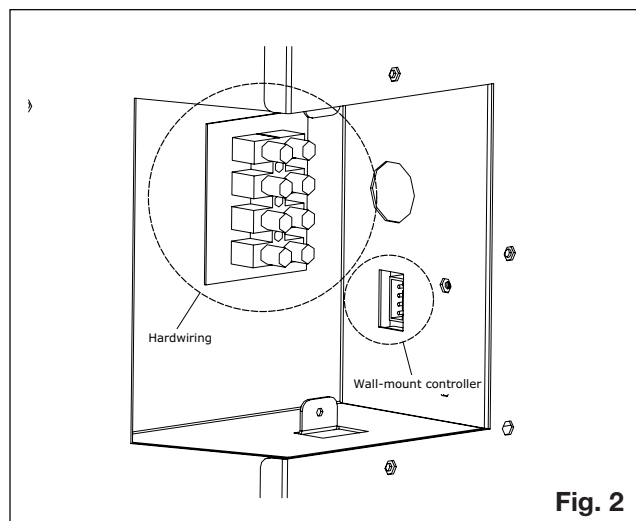
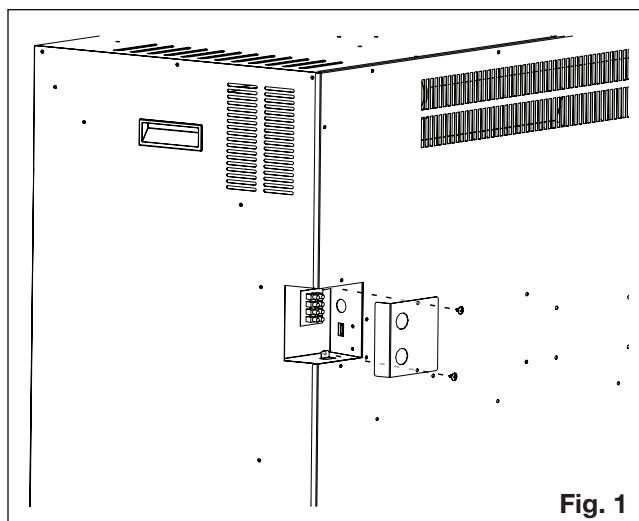
Il est nécessaire de câbler en dur cet appareil. Un électricien qualifié doit câbler l'appareil directement au câblage domestique. Le fil et le disjoncteur d'alimentation doivent être évalués pour 120 V, avec un minimum de 15 ampères.

Cet appareil doit être câblé électriquement et mis à la terre conformément aux codes locaux ou, en l'absence de codes locaux, à la dernière édition du National Electrical Code ANSI/NFPA 70 aux États-Unis ou au Canadian Electrical Code CSA C22.1 au Canada Avant de câbler en dur l'appareil, retirez le couvercle du boîtier de commande en retirant les fixations comme indiqué.

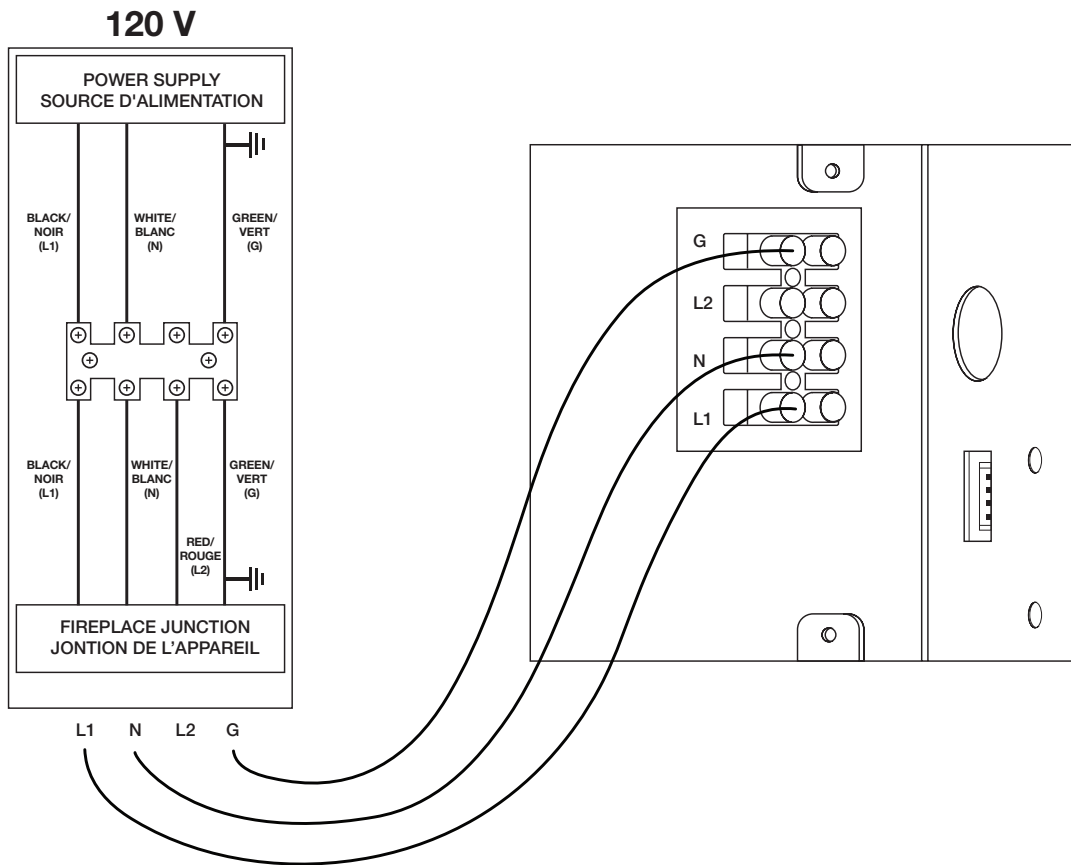
1. Localisez le câble à 2 conducteurs ou à 3 conducteurs désiré sur le côté droit de

l'enceinte pour l'installation du câblage en dur en fonction de la capacité de sortie de chaleur souhaitée de 120 V ou 240 V. (Fig.1).

2. Avec l'appareil dans le cadre brut, insérez suffisamment dans l'enceinte pour localiser les fils d'alimentation sur le bornier. (Fig.2).
3. Insérez les fils de votre maison à travers la plaque de couverture du boîtier de jonction avec le dispositif de soulagement de la tension (fourni) et localisez les fils à l'emplacement spécifié du bornier en fonction de la sélection de tension désirée. (Fig.3).



3.1 Installation de câblage 120 V

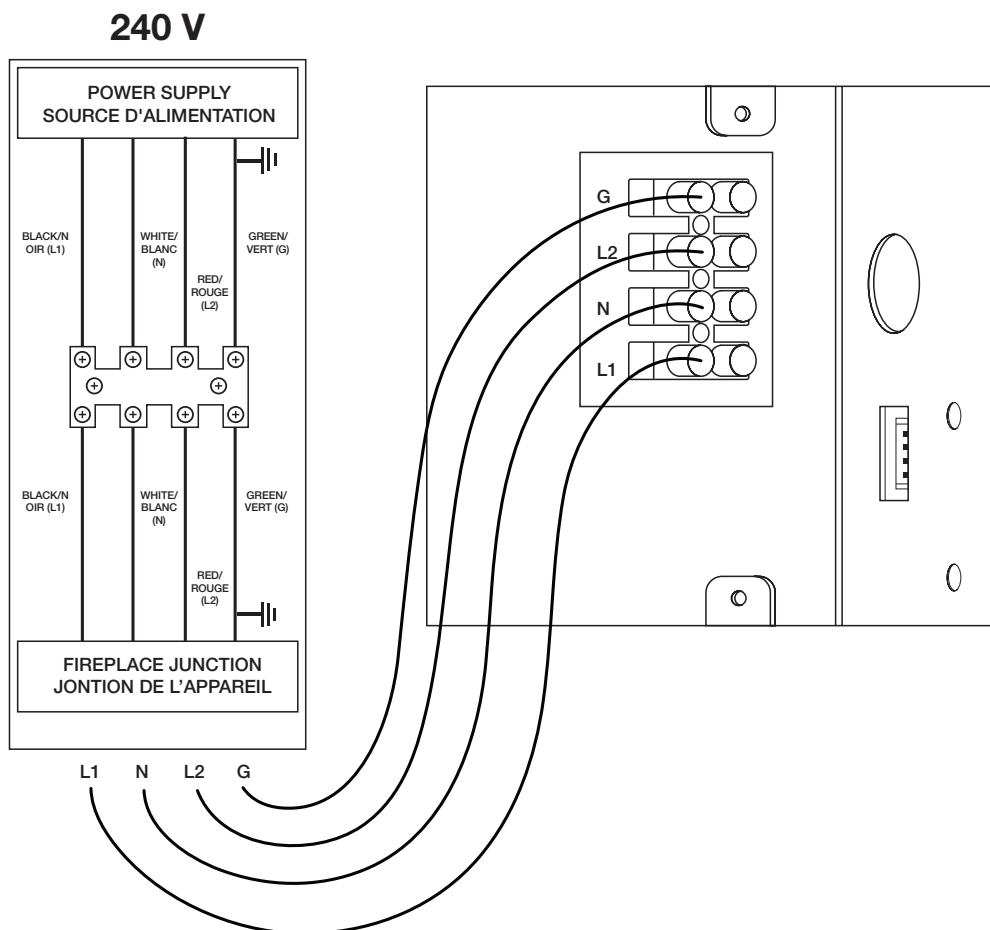


1. Insérez le fil vert ou le fil de cuivre nu dans la borne G désignée. Serrer la vis.
2. Insérer le fil neutre dans la borne N désignée. Serrez la vis.
3. Insérer le fil L1 dans la borne L1 désignée. Serrez la vis..
4. Assurez-vous que toutes les connexions sont correctement serrées.
5. Réinstallez le couvercle de la boîte de jonction.

note:

Si vous utilisez le contrôleur mural en option pendant l'installation, connectez le faisceau de câbles au connecteur à 4 broches situé à côté du bornier de câblage.

3.2 Installation de câblage 240 V



1. Insérez le fil vert ou le fil de cuivre nu dans la borne G désignée. Serrer la vis.
2. Insérer le fil neutre dans la borne N désignée. Serrez la vis.
3. Insérer le fil L1 dans la borne L1 désignée. Serrer la vis.
4. Insérer le fil L2 dans la borne L2 désignée. Serrer la vis.
5. S'assurer que toutes les connexions sont correctement serrées.
6. Réinstaller le couvercle de la boîte de jonction.

note:

Si vous utilisez le contrôleur mural en option lors de l'installation, connectez le faisceau de câbles au connecteur à 4 broches situé à côté du bornier de câblage.

3.3 Installation optionnelle du contrôleur mural

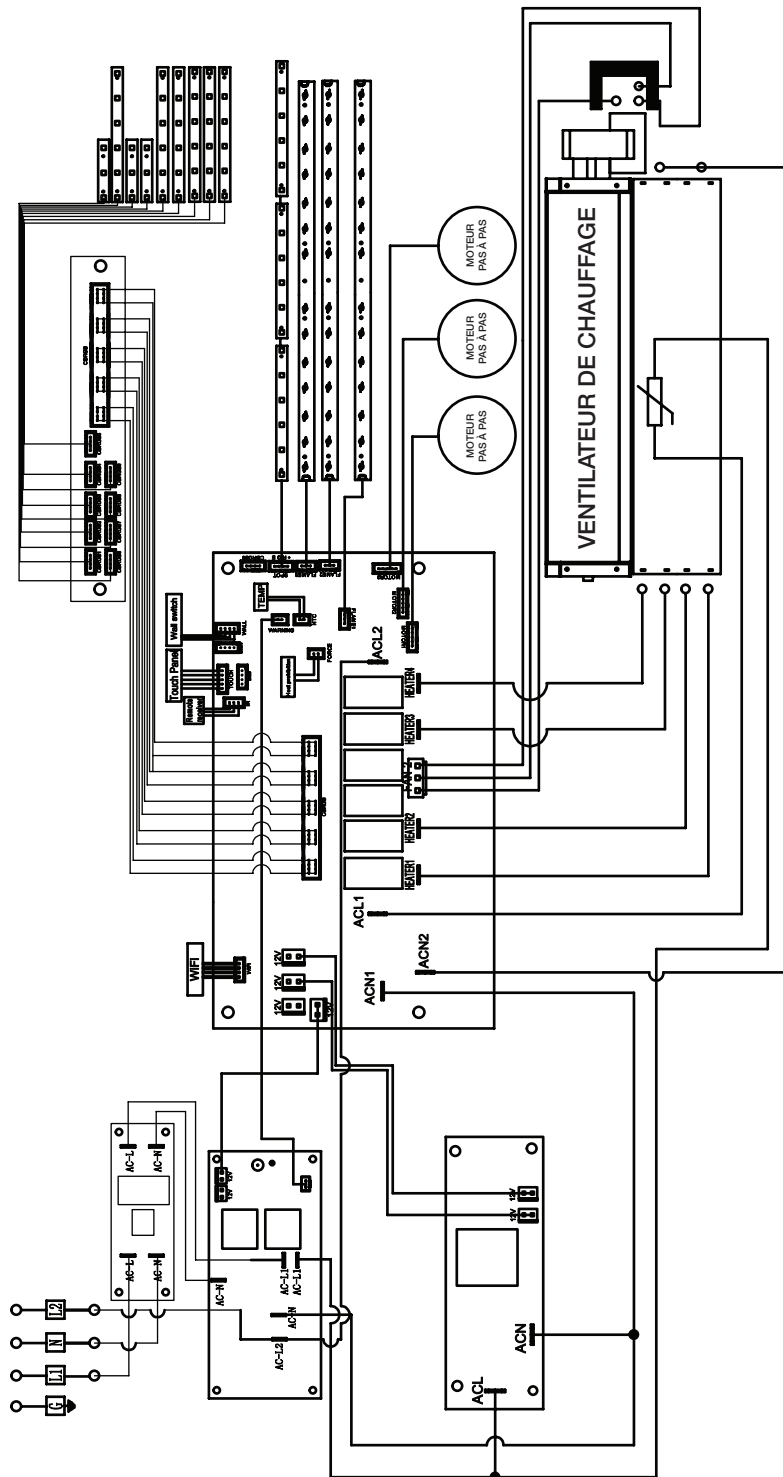
Le contrôleur mural est conçu avec un support de fixation encastré qui lui permet de se fixer directement au matériau de finition et n'a pas besoin d'être fixé à une solive.

Faites passer le faisceau de fils du contrôleur mural du boîtier de jonction de la cheminée à

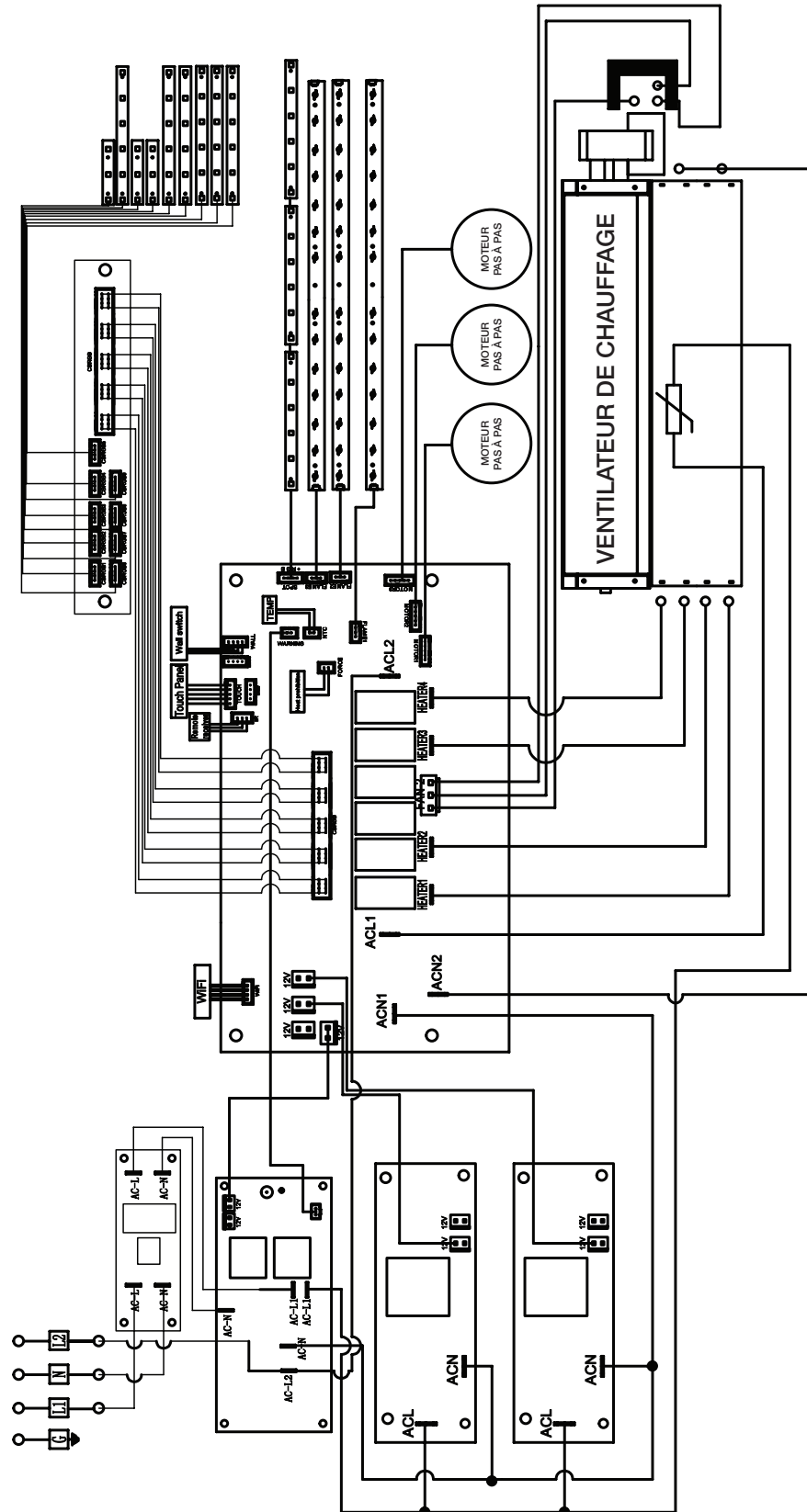
l'emplacement souhaité pour le contrôleur mural. Il peut être nécessaire de fixer certains matériaux de finition à l'enceinte pour permettre la fixation du contrôleur mural.

4.0 schéma de câblage

4.1 Schéma de câblage NEFB36H-MF



4.2 Schéma de câblage NEFB42H-MF



5.0 fonctionnement

Une fois que l'appareil a été connecté électriquement à un circuit mis à la terre et que le disjoncteur est en marche, il est prêt à fonctionner.







note:

Assurez-vous que les disjoncteurs du circuit de la maison pour l'alimentation électrique sont allumés. En cas de panne de courant, l'appareil perdra sa fonction de mémoire et se réinitialisera en mode usine lorsque l'alimentation sera rétablie.

5.1 panneau de commande

Le panneau de commande est situé dans le coin supérieur droit de l'appareil.



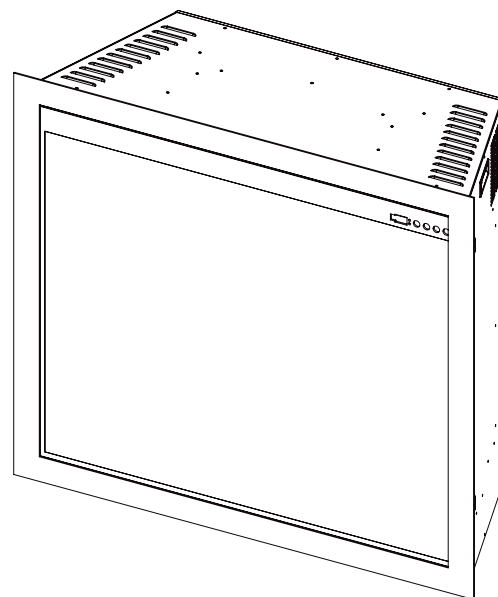
| | | |
|---------------------------------|-------------------------------------------------------------------------------------|-------------------------------------------------------------------------------------------------------------------------------------------------------------------------------------------------------------------------------------------------------------------------------------------------------------------------------------------------------------------------------------------------------------------------------------------------------------------|
| Puissance |  | Allume et éteint l'appareil. |
| Chauffage |  | Permet d'activer ou de désactiver le chauffage et la soufflerie. Réglages : H-0 : Chauffage et soufflerie éteints. H-1 : Chauffage et soufflerie en marche. FAN : Le chauffage est éteint et la soufflerie est en marche. Note : La fonction de contrôle du chauffage peut être activée/désactivée en maintenant la touche enfoncée pendant 5 secondes. Lorsque la fonction de chauffage est désactivée, "LOC" s'affiche. |
| Flamme |  | Permet d'activer ou de désactiver l'effet de flamme. Réglages : F-1 : Style 1 - couleur jaune. F-0 : Flamme éteinte. |
| Indicateur du mode ECO |  | Indique que l'appareil fonctionne en mode ECO (économie d'énergie). |
| Indicateur de mode Boost |  | Indique que l'appareil fonctionne en mode Boost. |
| Indicateur Wi-Fi |  | Indique que l'appareil est connecté au réseau sans fil. Appuyez sur le bouton et maintenez-le enfoncé pendant 8 secondes pour entrer dans le mode de configuration Wi-Fi. L'indicateur clignote. |

5.2 télécommande de fonctionnement






Caractéristiques :




















- Puissance / Veille
- Réglage du chauffage : H-0, FAN, H-1
- Mode ECO
- Mode Boost
- Réglage de la température
- Réglage de la couche de flamme
- Réglage de la couleur de la flamme
- Réglage de la luminosité de la flamme
- Réglage de la vitesse de la flamme
- Réglage de la couleur du lit de braises
- Réglage de la luminosité du lit de braises
- Réglage de l'éclairage supérieur








Caractéristiques spéciales :

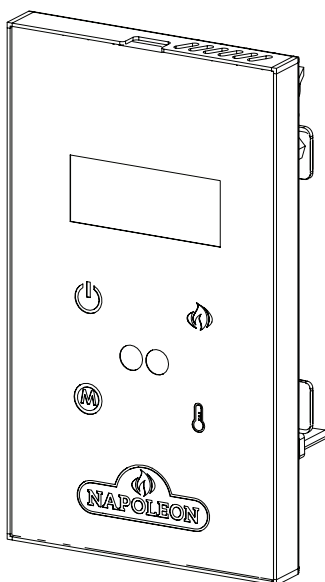
- Programmation 7/24
- alerte fenêtre ouverte





| | | |
|----------------------------------|-------------------------------------------------------------------------------------|--------------------------------------------------------------------------------------------------------------------------------------------------------------------------------------------------------------------------------------------------------------------------------------------------------------------------------------------------------------------------------------------------------------------------------------------------------------------------------------------------------------------------------------------------------------------------------------------------------------------------------------------------------|
| Alimentation/ Standby |  | Allumer/éteindre l'appareil. |
| Chauffage |  | <p>Appuyez sur le bouton  pour régler le mode de chauffage du foyer.</p> <p>H-0 : Le chauffage et la soufflerie sont éteints. FAN : Le chauffage est éteint et la soufflerie est en marche. H-1 : Le chauffage et la soufflerie sont activés.</p> <p>Note : La fonction de contrôle du chauffage peut être activée/désactivée en maintenant la touche enfoncée pendant 3 secondes. Lorsque la fonction de chauffage est désactivée, "LOC" s'affiche.</p> |

| | | |
|-----------------------------------|-------------------------------------------------------------------------------------|-------------------------------------------------------------------------------------------------------------------------------------------------------------------------------------------------------------------------------------------------------------------------------------------------------------------------------------------------------------------------------------------------------------------------------------------------------------------------------------------------------------------------------------------------------------------------------------------------------------------------------------------------------------------------------------------------------------------------------------------------------------------------------------------------------------------------------------------------------------------------------------------------------------------------------------------------------------------------------------------------------------------------------------------------------------------------------------------------------------------------------------------------------------------------------------------------------------------------------------------------------------------------------------------------------------------------------------------------------------------------------------------------------------------------------------------------------------------------------------------------------------------------------------------------------------------------------------------------------------------------------------------------------------------------------------------------------------------------------------------------------------------------------------------------------------------------------------------------------------------------------------------------------------------------------------------------------------------------------------------------------------------------------------------------------------------------------------------------------------------------------------------------------------------------------------------------------------------------------------------------------------------------------------------------------------------------------------------------------------------------------------------------------------------------------------------------------------------------------------------------------------------------------------------------------------------------------------------------------------------------------------------------------------------------------------------------------------------------------------------------------------------------------------------------------------------------------------------------------------------------------------------------------------------------------------------------------------------------------------------------------------------------------------------------------------------------------------------------------------------------------------------------------------------------------------------------------------------------------------------------------------------------------------------------------------------------------------------------------------------------------------------------------------------------------------------------------------------------------------------------------------------------------------------------------------------------------------------------------------------------|
| <p>Minuterie 7/24</p> |  | <p>Appuyez sur la touche  pour régler le jour et l'heure actuels.</p> <p>Lorsque "MON" commence à clignoter, utilisez  to select pour sélectionner le jour actuel. Appuyez sur OK pour terminer le réglage.</p> <p>Lorsque les chiffres des heures commencent à clignoter, utilisez-les  pour sélectionner l'heure actuelle.</p> <p>Appuyez sur OK pour terminer le réglage.</p> <p>Lorsque les chiffres des minutes commencent à clignoter, utilisez-les  pour sélectionner les minutes en cours.</p> <p>Appuyez sur OK pour terminer le réglage.</p> <p>Appuyez sur la touche et maintenez-la enfoncée  pour régler l'heure hebdomadaire.</p> <ol style="list-style-type: none"> 1. Appuyez sur la touche  et maintenez-la enfoncée pendant 3 secondes. Le  logo ON apparaît à l'écran. 2. Lorsque "MON" commence à clignoter, utilisez  pour sélectionner le jour souhaité. Appuyez sur OK pour terminer le réglage. 3. Lorsque "18 °C" commence à clignoter, utilisez  pour sélectionner l'heure. Press OK to confirm. Appuyez sur OK pour confirmer. Chaque fois que vous appuyez sur la touche  , 30 minutes sont ajoutées ou réduites. Appuyez à tout moment  pour effacer les chiffres. Laissez l'heure et les minutes dans "--:--" pour ne pas configurer l'horaire. 4. When "18 °C" starts flashing, use  pour sélectionner la température souhaitée pour activer le chauffage (fonction thermostat activée). Appuyez sur OK pour terminer le réglage. 5. Une fois l'étape 4 terminée, le logo  OFF s'affiche à l'écran. Répétez les étapes 3 pour régler l'heure du programme d'arrêt. 6. Répétez les étapes 1 à 5 pour régler l'heure de mise en marche et d'arrêt tous les jours. <p>Note :</p> <ul style="list-style-type: none"> • Pendant le réglage de l'heure et de la programmation, le PCB ne peut recevoir le signal que lorsque le récepteur IR est orienté. Lorsque le signal est reçu avec succès, un BIP retentit. • Lors du réglage de l'heure et des minutes, chaque donnée indique un signal significatif et non pas seulement "écran en haut et écran en bas". • "--:--" signifie qu'il n'y a pas de réglage de la minuterie. • Lorsque l'on appuie sur le bouton "haut ou bas"  et qu'on le maintient enfoncé, les chiffres défilent beaucoup plus rapidement. |
| <p>ECO</p> |  | <p>Maintenez le bouton enfoncé pendant 3 secondes pour allumer/éteindre le chauffage avec une puissance réduite de moitié (mode ECO).</p> <p>Note :</p> <p>Lorsque l'appareil fonctionne en mode ECO, l'indicateur ECO s'allume sur le panneau de commande.</p> |
| <p>Boost</p> |  | <p>Maintenez le bouton enfoncé pendant 3 s pour activer/désactiver le mode Boost.</p> <p>Note:</p> <p>Lorsque l'appareil fonctionne en mode Boost, l'indicateur BST s'allume sur le panneau de commande.</p> |
| <p>Thermostat Contrôle</p> |  | <p>Réglage par défaut : OFF (affichage de C sur l'écran).</p> <p>Appuyez sur la touche pendant 3 secondes pour passer de °C à °F.</p> <p>Utilisez cette touche  pour modifier les réglages.</p> <p>OFF 18 °C [64 °F], 19 °C [66 °F], 20 °C [68 °F], 21 °C [70 °F], 22 °C [72 °F], 23 °C [74 °F], 24 °C [76 °F], 25 °C [78 °F], 26 °C [80 °F], 27 °C [82 °F].</p> |

| <p>Flamme</p> |  | <p>La couleur des flammes met à jour toutes les couches de flammes en même temps. Aucun réglage individuel de la couleur de la flamme n'est autorisé. Appuyez une fois sur le bouton, l'icône de la flamme 1 commence à clignoter. Appuyez à nouveau sur le bouton, l'icône de la flamme 2 commence à clignoter. Appuyez à nouveau sur le bouton, les icônes de la flamme 1 et de la flamme 2 commencent à clignoter.</p> <p>Utilisez les boutons \updownarrow pour modifier les paramètres de luminosité.</p> <table border="1" data-bbox="561 464 1446 690"> <thead> <tr> <th>Flamme 1 Couleur jaune</th> <th>Flamme 2 Couleur orange</th> <th>Flamme 1+2 Les deux couleurs</th> </tr> </thead> <tbody> <tr> <td>YF4 (100%) YF3 (75%) YF2 (50%) YF1 (25%) YF0 (OFF)</td> <td>OF4 (100%) OF3 (75%) OF2 (50%) OF1 (25%) OF0 (OFF)</td> <td>F-1 Les deux flammes sont allumées (100 %) Défaut F-0 Les deux flammes sont éteintes (0%)</td> </tr> </tbody> </table> | Flamme 1 Couleur jaune | Flamme 2 Couleur orange | Flamme 1+2 Les deux couleurs | YF4 (100%) YF3 (75%) YF2 (50%) YF1 (25%) YF0 (OFF) | OF4 (100%) OF3 (75%) OF2 (50%) OF1 (25%) OF0 (OFF) | F-1 Les deux flammes sont allumées (100 %) Défaut F-0 Les deux flammes sont éteintes (0%) |
|----------------------------------------------------------------|-------------------------------------------------------------------------------------|-------------------------------------------------------------------------------------------------------------------------------------------------------------------------------------------------------------------------------------------------------------------------------------------------------------------------------------------------------------------------------------------------------------------------------------------------------------------------------------------------------------------------------------------------------------------------------------------------------------------------------------------------------------------------------------------------------------------------------------------------------------------------------------------------------------------------------------------------------------------------------------------------------------------------------------------------------------------------------------------------------------------------------------|---------------------------|----------------------------|---------------------------------|----------------------------------------------------------------|----------------------------------------------------------------|--------------------------------------------------------------------------------------------------|
| Flamme 1 Couleur jaune | Flamme 2 Couleur orange | Flamme 1+2 Les deux couleurs | | | | | | |
| YF4 (100%) YF3 (75%) YF2 (50%) YF1 (25%) YF0 (OFF) | OF4 (100%) OF3 (75%) OF2 (50%) OF1 (25%) OF0 (OFF) | F-1 Les deux flammes sont allumées (100 %) Défaut F-0 Les deux flammes sont éteintes (0%) | | | | | | |
| <p>Vitesse de la flamme</p> |  | <p>Contrôlez la vitesse de la flamme. Appuyez sur le bouton, l'icône de la vitesse de la flamme commence à clignoter sur l'écran LCD</p> <p>Utiliser \updownarrow pour modifier les réglages.</p> <ul style="list-style-type: none"> • S-5 • S-4 • S-3 (Défaut) • S-2 • S-1 <p>La vitesse de la flamme met à jour toutes les couches de flamme en même temps. Aucune couche individuelle de réglage de la vitesse de la flamme n'est autorisée.</p> | | | | | | |
| <p>Couleur et luminosité du lit de braises</p> |  | <p>Réglage par défaut : L01.</p> <p>Appuyez une fois sur le bouton, l'icône de la couleur du lit de braises commence à clignoter. Utiliser \updownarrow pour modifier les paramètres.</p> <ul style="list-style-type: none"> • L01 (Défaut) • L02 • ... • L05 • L-C (Cycle) <p>Appuyez à nouveau sur le bouton, l'icône de luminosité commence à clignoter. Utiliser \updownarrow pour modifier les paramètres.</p> <ul style="list-style-type: none"> • B-F (Pulsation) • B-4 (Défaut) • B-3 • B-2 • B-1 • B-0 (OFF) | | | | | | |
| <p>Couche de flamme</p> |  | <p>Appuyez sur le bouton des flammes multiples, l'icône MF commence à clignoter. Utilisez \updownarrow pour diminuer et augmenter le nombre de couches de flammes.</p> <p>C-3- Couche 1- ON, Couche 2 - ON, Couche 3 - ON (Défaut) C-2- Couche 1- ON, Couche 2 - ON, Couche 3 - OFF C-1- Couche 1- ON, Couche 2 - OFF, Couche 3 - OFF</p> | | | | | | |
| <p>Lumière supérieure</p> |  | <p>Appuyez sur le bouton, l'icône LED supérieure commence à clignoter. Utiliser \updownarrow pour modifier les paramètres.</p> <ul style="list-style-type: none"> • D01 (Défaut) • D02 • ... • D13 • D-C (Cycle) | | | | | | |

5.3 contrôleur de fonctionnement pour montage mural



| | | |
|--------------------------------------|-------------------------------------------------------------------------------------|-------------------------------------------------------------------------------------------------------------------------------------------------------------------------------------------------------------------------------------------------------------------------------------------------------------------------------------------------------------------------------------------------------------------------------------------------------------------------------------------------------------------------------------------------------------------------------------------------------------------------------------------------------------------------------------------------------------------------------------------------------------------------------------------------|
| <p>Puissance</p> |  | <p>Allumer/éteindre l'appareil.</p> |
| <p>Flamme ON/OFF</p> |  | <p>Permet d'activer/désactiver l'effet de flamme. 2 Réglages : F-0 : Tous les effets lumineux sont désactivés F-1 : Couleur de la flamme OF4 et YF4 ; vitesse de la flamme S-3, couleur de la couche de braises L1 ; luminosité du lit de braises B-F.</p> |
| <p>Sélection du mode</p> |  | <p>Permet de passer d'un mode de fonctionnement à l'autre. Réglage par défaut : H-0</p> <p>Réglages : H-0 : Le chauffage et le ventilateur sont désactivés. FAN : Le chauffage est désactivé et la soufflerie est activée. H-1 : Le chauffage et la soufflerie sont activés. ECO : Le chauffage fonctionne en mode économique. BST : Le chauffage est en mode amélioré, le ventilateur fonctionne à grande vitesse.</p> <p>Note : La fonction de contrôle du chauffage peut être activée/désactivée en maintenant la touche enfoncée pendant 3 secondes. Lorsque la fonction de chauffage est désactivée, "LOC" s'affiche.</p> |
| <p>Contrôle du thermostat</p> |  | <p>Appuyez une fois sur ce bouton pour augmenter la température de 1 °C (2 °F). Démarrage à partir de 18 °C (64 °F). Maintenez cette touche enfoncée pendant 5 secondes pour passer de °C à °F. Lorsque la température atteint 27 °C [82 °F], appuyez une nouvelle fois sur ce bouton, la température s'éteint et l'unité d'affichage s'éteint. Appuyez à nouveau sur ce bouton pour redémarrer à partir de 18 °C [64 °F].</p> <p>Réglages : 18 °C [64 °F], 19 °C [66 °F], 20 °C [68 °F], 21 °C [70 °F], 22 °C [72 °F], 23 °C [74 °F], 24 °C [76 °F], 25 °C [78 °F], 26 °C [80 °F], 27 °C [82 °F] et OFF.</p> <p>Note : Maintenez la touche enfoncée pendant 5 secondes pour passer de °C à °F.</p> |

6.0 connectivité Napoleon®

APP NAPOLEON® HOME



COMMENT ÇA MARCHE ?

Accédez à votre appareil à distance en téléchargeant l'**application Napoleon® Home** depuis votre magasin d'applications.

Pour accéder à l'application, vous devrez créer un compte en suivant les instructions fournies dans l'application (voir ci-dessous pour plus de détails).

En associant votre appareil à l'**application Napoleon® Home** via WiFi, vous pouvez contrôler tous les modes et fonctions de l'appareil.

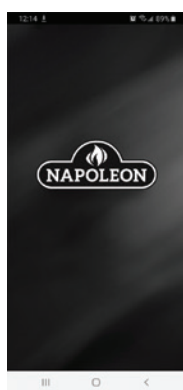
Toutes les notifications et alarmes sont envoyées via l'application pour vous permettre de rester connecté facilement.



Scannez ce code QR pour accéder directement au site web de **Napoleon® Home App**.

commençons

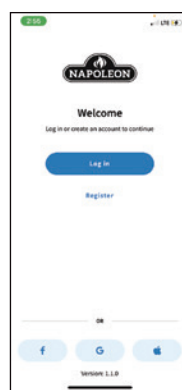
1 TÉLÉCHARGER



Téléchargez l'application **Napoleon® Home** dans votre magasin d'applications (Google Play ou Apple App Store).

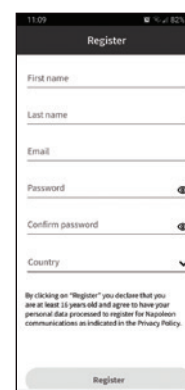
Note : Cette application nécessite Android 7.0 ou iOS 13.0.

2 INSCRIPTION



Créez un compte avec l'**application Napoleon® Home** ou connectez-vous en utilisant les informations de votre compte Facebook, Google ou Apple.

3 CRÉER



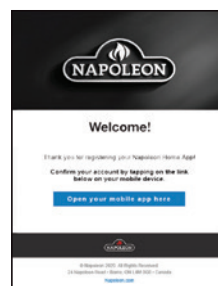
Saisissez les informations relatives à l'utilisateur et créez un mot de passe pour le compte. Sélectionnez le pays dans lequel se trouve l'appareil.

4 PRESQUE LÀ



Les informations saisies à l'étape 3 seront enregistrées dans l'**application Napoleon® Home** et une confirmation sera envoyée à l'adresse électronique fournie.

5 CONFIRMER



Ouvrez votre boîte aux lettres électronique et sélectionnez le lien de confirmation.

Note : Le lien de confirmation doit être ouvert sur l'appareil sur lequel l'**application Napoleon® Home** est installée.

6 RE-CONFIRMER



Si aucun courriel n'est trouvé, cliquez sur "Renvoyer le lien de confirmation" et vérifiez le dossier des courriers indésirables.

6.1 connexion à l'application

1. Assurez-vous que l'appareil est branché et allumé allumé (**Fig. 1**).
2. Appuyez sur le bouton Wi-Fi du panneau de commande de l'appareil et maintenez-le enfoncé pendant 10 secondes (**Fig. 2**).



Fig. 1

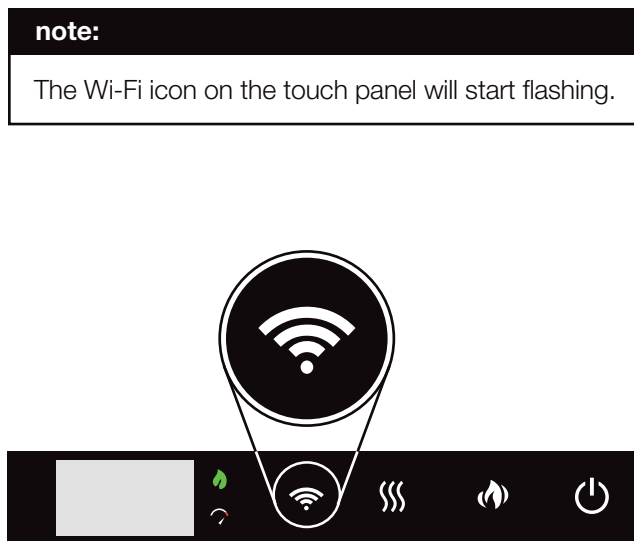


Fig. 2

3. Sélectionnez "Ajouter un appareil" et acceptez les autorisations (**Fig. 3 & 4**).

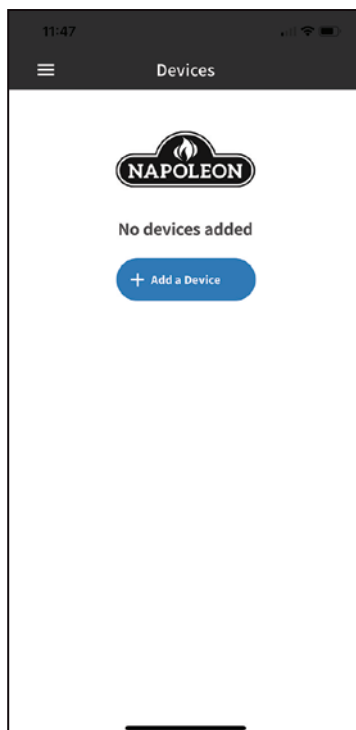


Fig. 3

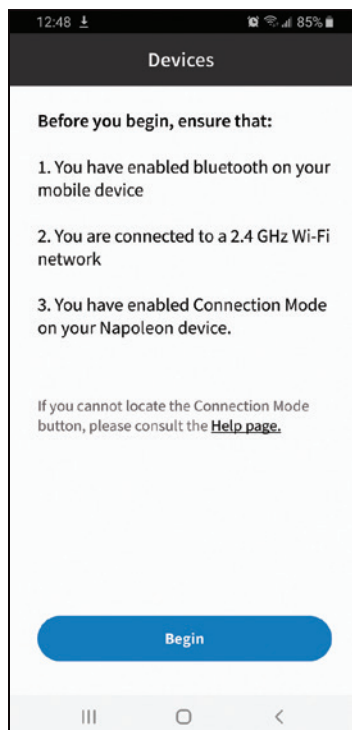


Fig. 4

4. Rechercher des appareils et sélectionner l'appareil dans la liste (**Fig. 5 & 6**).



Fig. 5



Fig. 6

5. Sélectionnez le Wi-Fi souhaité et connectez-vous en saisissant le mot de passe Wi-Fi de votre domicile (**Fig. 7 & 8**).
6. Une fois l'appareil connecté au point d'accès, il est possible de lui attribuer un surnom afin de le rendre plus reconnaissable (**Fig. 9**).



Fig. 7

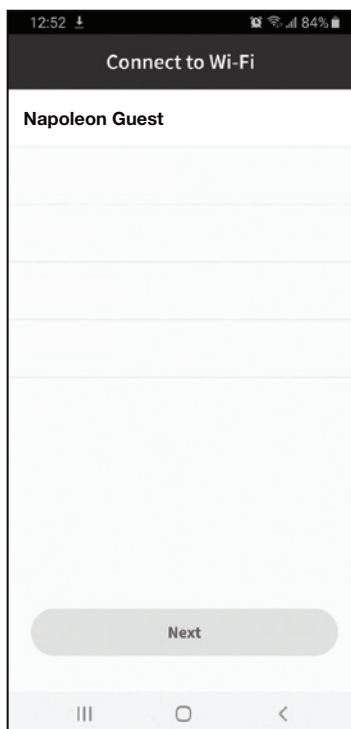


Fig. 8

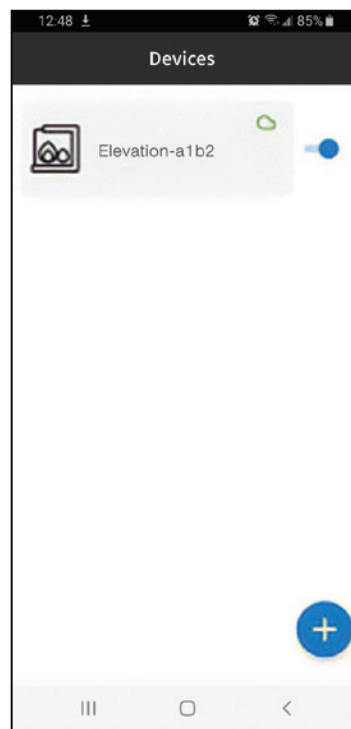
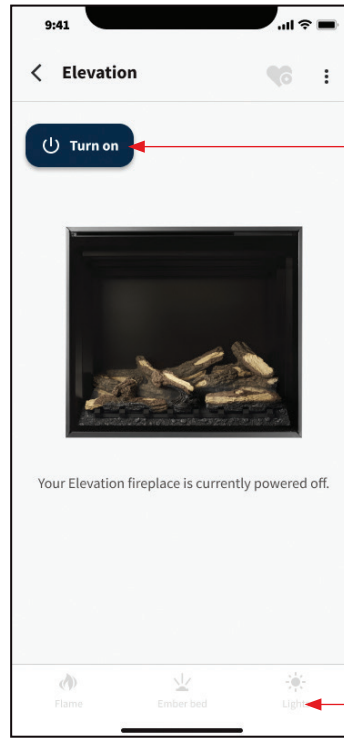


Fig. 9

6.2 utiliser l'application

6.2.1 réglage de la puissance

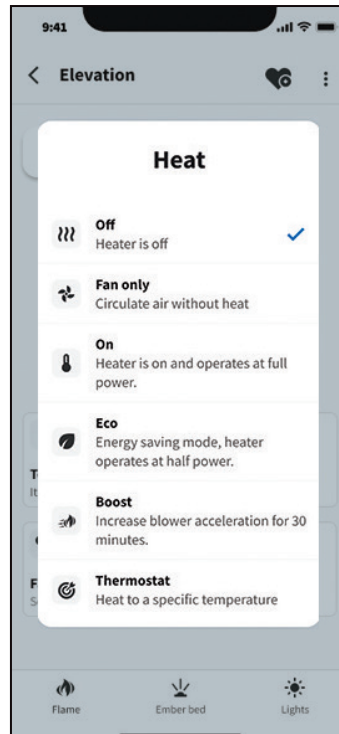
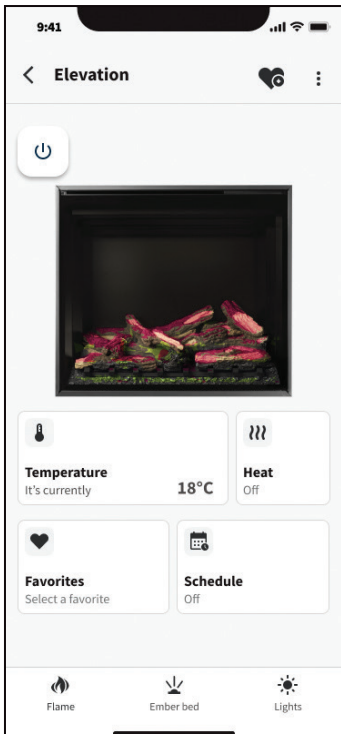


Réglage de la puissance :

Appuyez sur cette touche pour allumer et éteindre l'appareil. .

Les réglages de luminosité ne sont pas accessibles sur cette page d'accueil lorsque l'appareil est éteint. Lorsque l'appareil est allumé, naviguez vers les onglets inférieurs pour modifier les réglages de l'écran du foyer.

6.2.2 réglage de la chaleur

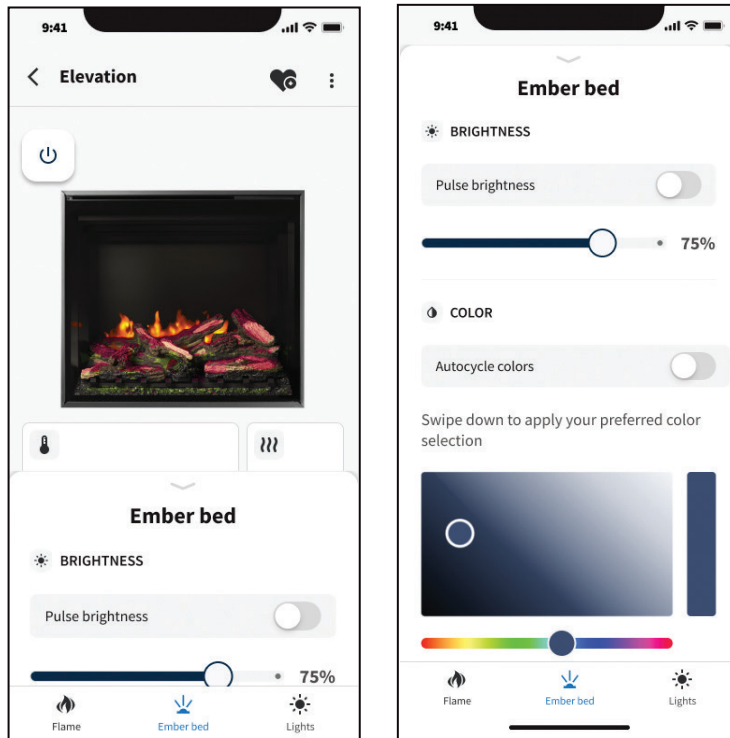


Réglage de la chaleur :

Le réglage de la chaleur peut être sélectionné à partir de l'onglet "chaleur" de la page d'accueil de l'appareil. La température ambiante actuelle est affichée sur l'onglet température et mise à jour pour refléter la température cible lorsque le mode thermostat est sélectionné.

| | |
|-------------------------------|-----------------------------------------------------------------------------------------------------------------------------------|
| Arrêt | Pas de chaleur. |
| Ventilateur uniquement | Ne met en marche que le ventilateur pour faire circuler l'air l'air sans chaleur. |
| Activé | Le chauffage est en marche et fonctionne à pleine puissance. |
| ECO | Mode économie d'énergie, le chauffage fonctionne à mi-puissance. |
| Boost | Augmentez l'accélération du ventilateur lorsque le chauffage fonctionne à pleine puissance. |
| Thermostat | Le chauffage s'allume et s'éteint automatiquement pour réguler la température de la pièce à la température de consigne souhaitée. |

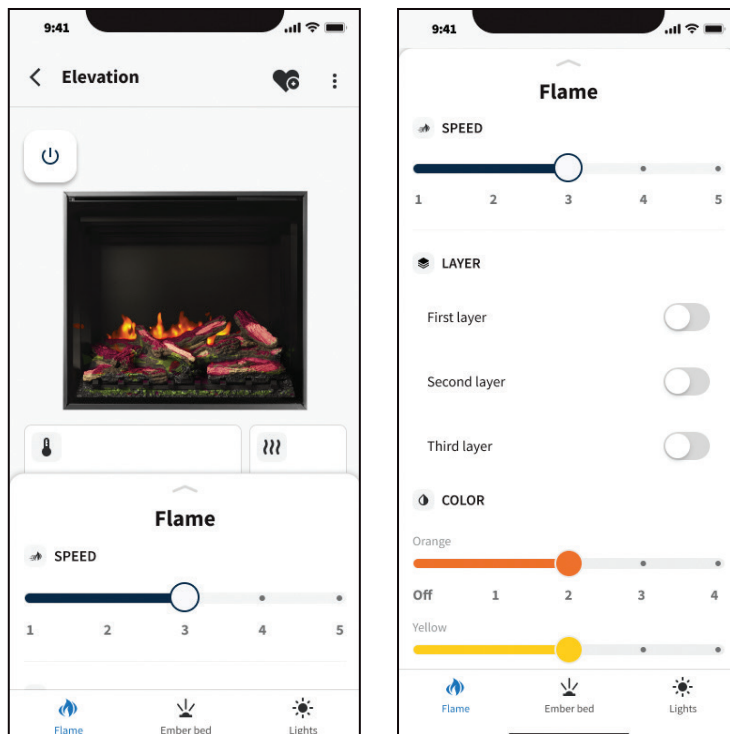
6.2.3 ember bed setting



Réglage du lit de braises :

Sélectionnez les couleurs et les paramètres de luminosité du lit de braise dans la liste de l'onglet du lit de braise ou activez la fonction de cycle automatique ou de luminosité pulsée pour faire défiler toutes les couleurs disponibles.

6.2.4 réglage de la flamme

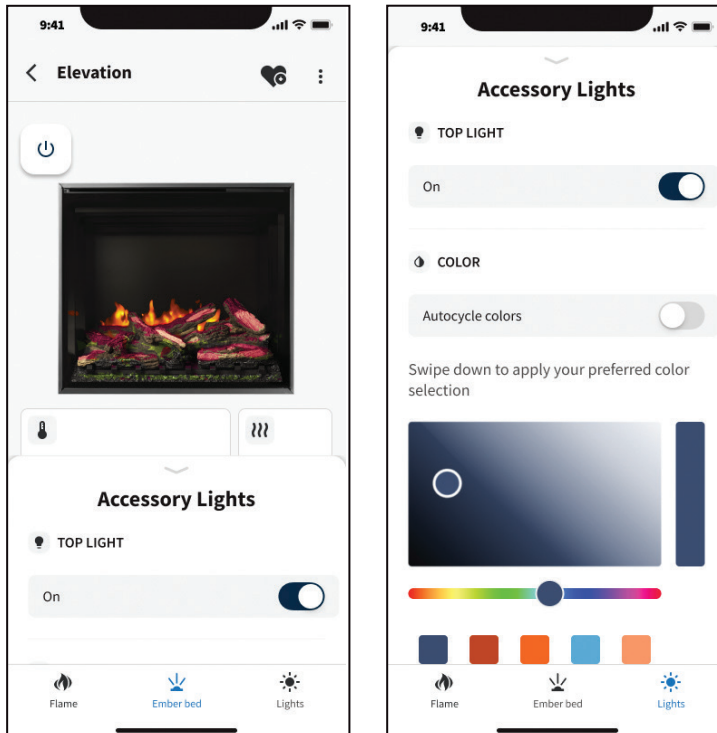


Réglage de la flamme :

Contrôlez l'affichage des différentes couleurs de flammes en ajustant le curseur pour chaque couleur de flamme.

Les couches de flammes peuvent être désactivées ou activées à l'aide des boutons de basculement correspondants. La vitesse de la flamme peut également être réglée.

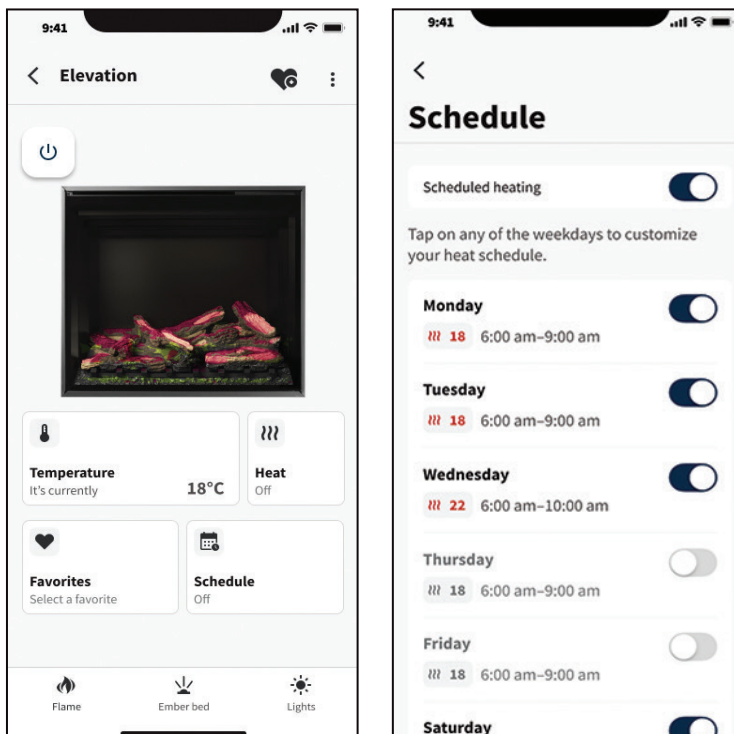
6.2.5 réglages des lumières accessoires



Réglage des lumières accessoires :

La luminosité de l'écran météo peut être contrôlée dans l'application, soit sur la page d'accueil lorsque l'appareil est éteint, soit dans l'onglet inférieur des lumières. L'éclairage latéral est également contrôlé à partir de l'onglet lights. La sélection de la chaleur de l'ampoule et la luminosité peuvent être modifiées dans cette section.

6.2.6 réglages de la minuterie



Réglages de la minuterie :

La fonction de minuterie est accessible à partir de la page principale. Sélectionnez dans la liste des durées prédéfinies pour régler une minuterie qui éteindra l'appareil une fois le compte à rebours terminé.

7.0 entretien

7.1 nettoyage

AVERTISSEMENT

- Éteignez toujours l'appareil et débranchez le cordon d'alimentation de la prise avant de le nettoyer, de l'entretenir ou de le déplacer. Le non-respect de cette consigne peut entraîner un choc électrique, un incendie ou des blessures.
- Ne jamais immerger l'appareil dans l'eau ou l'asperger d'eau. Cela pourrait provoquer une électrocution, un incendie ou des blessures.

Métal :

- Polissez en utilisant un chiffon doux, légèrement humidifié avec un produit à base d'huile d'agrumes.
- Ne pas utiliser de polish pour laiton ou de nettoyeurs ménagers car ces produits endommageront les garnitures métalliques.

Verre :

- Utilisez un nettoyant de bonne qualité pulvérisé sur le chiffon ou la serviette. Séchez soigneusement avec un essuie-tout ou un chiffon sans peluches.
- Ne jamais utiliser de nettoyeurs abrasifs, de sprays liquides ou tout nettoyant qui pourrait rayer la surface.

Aérations :

- Utilisez un aspirateur ou un chiffon pour enlever la poussière et la saleté des zones de chauffage et des bouches d'aération.

Plastique :

- Essuyez doucement avec un chiffon légèrement humidifié et une solution douce de liquide vaisselle et d'eau tiède."



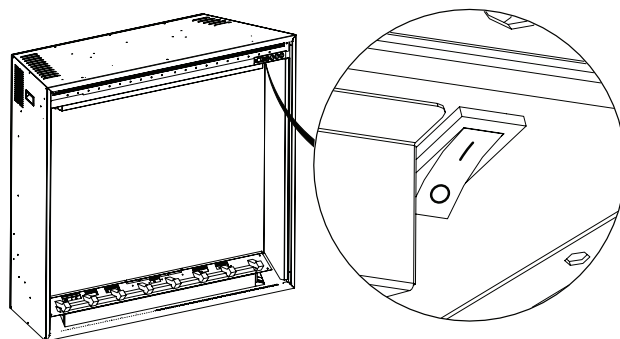
Les piles doivent être éliminées conformément aux lois et réglementations locales. Certaines piles peuvent être recyclées et peuvent être acceptées pour élimination dans votre centre de recyclage local. Consultez votre municipalité pour obtenir des instructions de recyclage.

7.2 interrupteur de blocage du chauffage

Cette cheminée est dotée d'un interrupteur qui peut être actionné pour fournir des moyens de verrouillage physique pour le chauffage.

Cet interrupteur est situé au-dessus du panneau tactile pour fournir des mesures supplémentaires pour verrouiller le fonctionnement du chauffage.

Pour accéder à l'interrupteur de verrouillage, retirez la garniture décorative et la vitre avant.



8.0 pièces de rechange

AVERTISSEMENT

- Le fait de ne pas positionner les pièces conformément à ce manuel ou de n'utiliser que des pièces spécifiquement approuvées pour cet appareil peut entraîner des dommages matériels ou corporels.

Contactez votre revendeur pour toute question concernant les prix et les politiques en matière de pièces de rechange. Normalement, toutes les pièces peuvent être commandées auprès de votre revendeur/distributeur agréé.

Pour les pièces de rechange sous garantie, une photocopie de la facture originale sera nécessaire pour honorer la réclamation.

Lors de la commande de pièces de rechange, fournissez toujours les informations suivantes :

- Modèle et numéro de série de l'appareil
- Date d'installation de l'appareil
- Numéro de pièce
- Description de la pièce
- Finition

Les pièces, les numéros de pièces et la disponibilité sont sujets à changement sans préavis.

Les pièces identifiées comme étant en stock seront livrées dans un délai de 2 à 5 jours ouvrables pour la plupart des destinations de livraison.

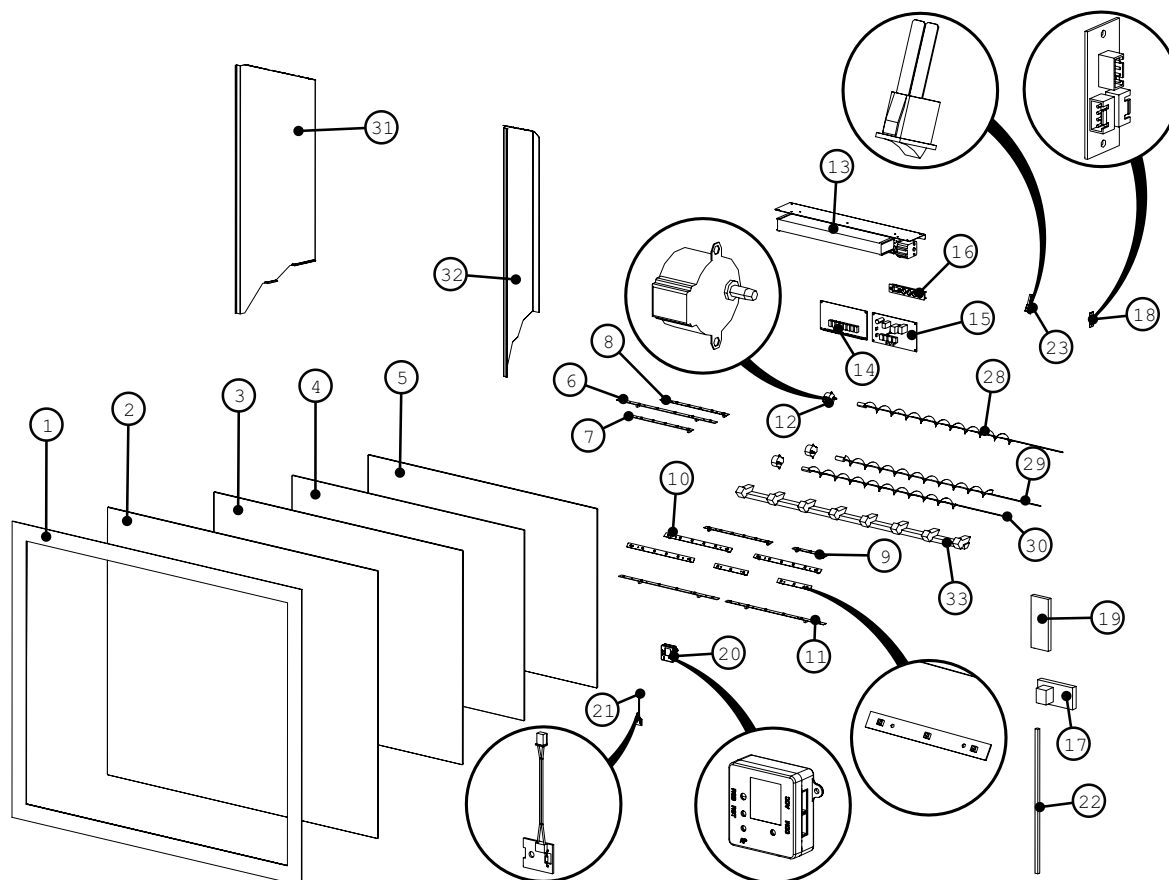
Les pièces non identifiées comme étant en stock seront livrées dans un délai de 2 à 4 semaines, dans la plupart des cas.

Les pièces identifiées comme étant des "SO" (commandes spéciales) peuvent prendre jusqu'à 90 jours pour être livrées.

8.1 NEFB36H-MF/ NEFB42H-MF

note:

Des précautions doivent être prises lors de l'enlèvement et de la mise au rebut de tout verre brisé ou de tout composant endommagé. Veillez à aspirer les débris de verre à l'intérieur de l'appareil avant de le mettre en service.



Les articles peuvent ne pas correspondre exactement à l'illustration.

| Non. | Description | NEFB36H-MF | NEFB42H-MF |
|------|--------------------------------------------|---------------|---------------|
| 1 | Garniture 1 pièce | W715-10002572 | W715-10002573 |
| 2 | Verre avant | W300-10002534 | W300-10002535 |
| 3 | Vitre de projection de flamme - avant | W300-10002536 | W300-10002537 |
| 4 | Vitre de projection de la flamme - milieu | W300-10002538 | W300-10002539 |
| 5 | Panneau d'affichage de la flamme - arrière | W475-10002540 | W475-10002541 |
| 6 | Voyant LED supérieur | W405-10000213 | |
| 7 | Voyant LED de la flamme avant ou du milieu | W405-10002554 | W405-10002555 |
| 8 | Voyant LED de flamme arrière | W405-10002552 | W405-10002553 |
| 9 | LED de braise type 1 | W405-10000214 | |

Le tableau continue à la page 75

pièces de rechange

FR

| Non. | Description | NEFB36H-MF | NEFB42H-MF |
|------|------------------------------------------------------|-------------------|---------------|
| 10 | Ember LED Type 2 | W405-10002556 | |
| 11 | LED de braise type 3 | W405-10002557 | |
| 12 | Moteur du réflecteur | W435-10002558 | |
| 13 | Assemblage du ventilateur de l'appareil de chauffage | W010-10002559 | |
| 14 | Carte PCB principale | W190-10002566-SER | |
| 15 | Carte de circuit imprimé d'alimentation | W190-0260 | |
| 16 | Panneau de contrôle tactile | W190-10002567 | |
| 17 | Carte de protection du câblage | W190-10002568 | |
| 18 | Carte de connexion du contrôleur mural | W190-10002569 | |
| 19 | Télécommande portable | W190-10002570 | |
| 20 | Assemblage du module IoT | W010-10009419 | |
| 21 | Capteur de température | W190-10000219 | |
| 22 | Récepteur de télécommande | W190-10000217 | |
| 23 | Interrupteur à fusée | W660-0175 | |
| 24 | Harnais de câbles haute tension* | W750-10002574 | W750-10002575 |
| 25 | Harnais de fils basse tension* | W750-10002576 | W750-10002577 |
| 26 | Lit de braise* | W497-10002578 | W497-10002579 |
| 27 | Kit de jeu de bûches* | W370-10002550 | W370-10002551 |
| 28 | Tige de réflecteur - arrière | W010-10002560 | W010-10002561 |
| 29 | Tige de réflecteur - milieu | W010-10002562 | W010-10002563 |
| 30 | Broche de réflecteur - avant | W010-10002564 | W010-10002565 |
| 31 | Panneau réfléchissant - côté gauche | W475-10002542 | W475-10002543 |
| 32 | Panneau réfléchissant - côté droit | W475-10002544 | W475-10002545 |
| 33 | Grille | W185-10002546 | W185-10002547 |
| 34 | Disque d'aspiration* | W220-10002548 | |
| 35 | Kit de quincaillerie* | W370-10002549 | |

* Pièce non illustrée

9.0 dépannage

AVERTISSEMENT

- Éteignez complètement l'appareil et laissez-le refroidir avant de l'entretenir. L'entretien et la réparation de cet appareil électrique ne doivent être confiés qu'à une personne qualifiée.

| symptôme | problème | solution |
|----------------------------------------------------------------------------------------------------|----------------------------------------------------------------------------------------------------------------------|-------------------------------------------------------------------------------------------------------------------------------------------------------------------------------------------------------------------------------------------------|
| L'appareil ne s'allume pas lorsque le bouton/interrupteur d'alimentation est mis en position "ON". | L'appareil n'est pas branché sur une prise électrique. | Vérifier la prise et brancher l'appareil si nécessaire. |
| | Les branchements ne sont pas corrects. | Voir la section "Installation par câblage". |
| | L'appareil a surchauffé et l'interrupteur thermique de sécurité s'est déclenché. | Débranchez l'appareil ou coupez le disjoncteur, laissez-le refroidir pendant 15 minutes, puis branchez l'appareil ou remettez le disjoncteur en marche. |
| | Problème au niveau de la carte de circuit imprimé principale. | Inspecter la carte de circuit imprimé et la remplacer si nécessaire. |
| L'appareil s'éteint et ne se rallume pas. | Le disjoncteur de la maison s'est déclenché. | Réinitialiser le disjoncteur de la maison. |
| | Le fusible de l'appareil a sauté. | Remplacer le fusible. |
| | L'appareil a surchauffé et l'interrupteur thermique de sécurité s'est déclenché. | Débranchez l'appareil ou coupez le disjoncteur, laissez-le refroidir pendant 15 minutes pour réinitialiser l'interrupteur thermique, puis branchez l'appareil ou remettez le disjoncteur en marche. |
| L'appareil est revenu aux défaut paramètres. | Panne de courant. | Reprogrammer l'appareil pour qu'il retrouve ses réglages d'origine (ne s'applique pas à tous les appareils). |
| La télécommande ne fonctionne pas. | Piles faibles ou usées. | Remplacer les piles de la télécommande. |
| | Dysfonctionnement du récepteur de la télécommande. | Assurez-vous que le récepteur à distance n'est pas bloqué. Remplacer le panneau de commande. |
| Aucun air chaud ne sort de l'appareil. | Le réglage du chauffage n'est pas sélectionné. | Voir la section "fonctionnement". |
| | Le chauffage a été verrouillé. | Voir la section "fonctionnement". |
| | La température de la pièce est supérieure que le réglage de l'appareil (s'il est réglé sur la température ambiante). | Réinitialiser le réglage de la température. |
| | L'appareil a surchauffé et l'interrupteur thermique de sécurité s'est déclenché. | Débranchez l'appareil ou coupez le disjoncteur. Laissez l'appareil refroidir pendant 15 minutes. |
| | Les connexions des fils durs sont ne sont pas correctes. | Voir la section "Installation du câblage". |
| | Problème de chauffage. | Inspecter le ventilateur et le chauffage et les remplacer si nécessaire. |
| Le chauffage s'arrête automatiquement. | La pièce est trop chaude. | Le chauffage est équipé d'un thermostat intégré qui l'éteint automatiquement lorsque la température pré-réglée est atteinte. Il se rallume aussi automatiquement si la température de la pièce descend en dessous de la température pré-réglée. |

| symptôme | problème | solution |
|------------------------------------------------------------------------------------------------|---------------------------------------------------------------------------------------------------------------------------------------------------------------------------------------------------------------------------------|-------------------------------------------------------------------------------------------------------------------------------------------------------------------------------------------------------------------|
| Flamme faible ou inexistante | La luminosité de la flamme n'a pas été sélectionnée. | Voir la section "fonctionnement". |
| | Les LED de la flamme sont défectueuses. | Inspecter la LED et la remplacer si nécessaire. |
| | Problème de carte principale de la carte PCB | Inspecter la carte de circuit imprimé principale et la remplacer si nécessaire. |
| L'éclairage supérieur ne s'allume pas ou ne s'atténue pas | La luminosité n'est pas sélectionnée. | Voir la section "fonctionnement". |
| | Problème du LED du lit de braises. | Inspectez les LED du lit de braises et remplacez-les si nécessaire. |
| | Problème de carte de circuit imprimé principale. | Inspecter la carte de circuit imprimé principale et la remplacer si nécessaire. |
| Le lit de braises ne s'allume pas ou ne diminue pas d'intensité. | La luminosité n'est pas sélectionnée. | Voir la section "fonctionnement". |
| | Problème de LED lit de braises. | Inspectez les DEL du lit de braises et remplacez-les si nécessaire. |
| | Problème de carte de circuit imprimé principale. | Inspecter la carte de circuit imprimé principale et la remplacer si nécessaire. |
| L'appareil ne s'allume pas et émet un long bip continu lorsqu'il est mis sous tension/branché. | 120/240V Le PCB de protection a détecté un défaut dans la connexion d'alimentation. | Consulter le revendeur local. Inspecter la connexion du fil d'alimentation. |
| LED clignotante "OH". | L'appareil a surchauffé et l'interrupteur thermique de sécurité s'est déclenché. | Débranchez l'appareil ou coupez le disjoncteur. Laissez l'appareil refroidir pendant 15 minutes, puis branchez l'appareil ou mettez le disjoncteur en marche. Si le problème persiste, consultez votre revendeur. |
| LED clignotante "E-1". | Code d'erreur pour l'élément chauffant. | <u>Consulter le revendeur local.</u> Inspecter le faisceau de câbles / remplacer l'ensemble soufflerie et chauffage. |
| LED clignotante "E-2". | Code d'erreur pour la soufflerie. | <u>Consulter le revendeur local.</u> Inspecter le faisceau de câbles / remplacer l'ensemble soufflerie et chauffage. |
| LED clignotante "E-11". | Code d'erreur pour le capteur de température. | <u>Consulter le revendeur local.</u> Inspecter / remplacer le capteur de température. |
| LED clignotante "E-25". | La température ambiante de la pièce est trop élevée pour continuer à chauffer, ce qui pourrait entraîner une hyperthermie. Le chauffage a été éteint jusqu'à ce que la température ambiante de la pièce atteigne un niveau sûr. | Une fois que la température de la pièce est inférieure à 30 °C, vous pouvez reprendre l'utilisation de l'appareil. Si le problème persiste, consultez votre revendeur. |
| LED clignotante "E-27". | La température ambiante de la pièce a considérablement baissé, peut-être à cause d'une porte ou d'une fenêtre ouverte. | Assurez-vous que toutes les fenêtres et les portes sont fermées. Éteignez et rallumez la cheminée. |
| LED clignotante "E-27". | Remarque: Ce symptôme n'apparaît que sur les appareils fabriqués avant mai 2026. | |

| symptôme | problème | solution |
|-------------------------|---------------------------------------------------------------------------------------------------------------------------------------------|-------------------------------------------------------------------------------|
| LED clignotante "E-28". | Le foyer n'a détecté aucune action de la part de l'utilisateur au cours des dernières 24 heures, le chauffage a été automatiquement éteint. | Reprendre immédiatement le fonctionnement de l'appareil. |
| LED clignotante "E-29". | Pendant la configuration Wi-Fi, l'appareil n'est pas en mesure de se connecter à l'appareil. | Reprenez le mode de configuration Wi-Fi et essayez de reconnecter l'appareil. |



APPAREIL ÉLECTRIQUE NAPOLEON® GARANTIE LIMITÉE DE 5 ANS

Les appareils électriques **Napoleon®** sont fabriqués conformément aux normes strictes du Système de Gestion de la Qualité mondialement reconnu ISO 9001 : 2015.

Les produits **Napoleon®** sont conçus avec des composants et des matériaux de qualité supérieure, assemblés par des artisans qualifiés qui sont fiers de leur travail.

Une fois assemblé, chaque appareil est soigneusement inspecté par un technicien, une agence de service ou un distributeur qualifié(e) ou autorisé(e) avant d'être emballé pour garantir que vous, le client, recevez le produit de qualité auquel vous vous attendez de **Napoleon®**.

Les composants électriques et les pièces soumises à l'usure sont couverts, et **Napoleon®** fournira gratuitement les pièces

de remplacement pendant les 5 premières années, à compter de la date d'installation initiale. Ceci couvre : la soufflerie/le radiateur, les moteurs, les interrupteurs, les roulements à billes en nylon, les télécommandes et les lumières à DEL. * Les ampoules et les fusibles NE SONT PAS couverts par la garantie.

Après la première année, **Napoleon®** ne sera pas responsable de l'installation, de la main-d'œuvre ou de toute autre dépense liée à la réinstallation d'une pièce sous garantie, et ces dépenses ne sont pas couvertes par la présente garantie.

** La fabrication de chaque modèle varie. La garantie s'applique uniquement aux composants disponibles avec votre appareil spécifique.*

CONDITIONS ET LIMITES DE LA GARANTIE

Napoleon® garantit ses produits contre les défauts de fabrication à l'acheteur d'origine seulement. L'achat doit avoir été fait par l'entremise d'un détaillant **Napoleon®** autorisé et sous réserve des conditions et limitations suivantes :

La couverture de la garantie débute à partir de la date d'installation initiale.

Cette garantie du fabricant n'est pas transférable et ne peut être prolongée par aucun de nos représentants.

L'installation doit être faite conformément aux instructions d'installation incluses avec le produit et à tous les codes d'incendie et de construction locaux et nationaux.

Cette garantie limitée de 5 ans ne couvre pas les dommages causés par un mauvais usage, un manque d'entretien, un accident, des altérations, des abus ou de la négligence, et l'installation de pièces d'autres fabricants annulera cette garantie.

Cette garantie limitée de 5 ans ne couvre pas non plus les égratignures, les bossellements, la corrosion ou la décoloration causée par une chaleur excessive, des produits d'entretien chimiques et abrasifs ou l'écaillage de pièces en porcelaine émaillée, ni le bris par manipulation des bûches PHAZER^{MD}.

Au cours des 5 premières années seulement, cette garantie s'étend à la réparation ou

au remplacement des pièces garanties dont les matériaux ou la fabrication sont défectueux à la condition que le produit ait été utilisé conformément aux instructions de fonctionnement et dans des conditions normales.

Après la première année, Napoleon ne sera pas responsable de l'installation, de la main-d'œuvre, ou d'autres coûts ou dépenses relatives à la réinstallation d'une pièce garantie, et de telles dépenses ne sont pas couvertes par cette garantie. Nonobstant toute disposition contenue dans la garantie de 5 ans, la responsabilité de Napoleon® sous cette garantie est définie comme ci-dessus, et elle ne s'étendra à aucun dommage accidentel, consécutif, ou indirect.

Cette garantie définit l'obligation et la responsabilité de Napoleon® en ce qui concerne l'appareil électrique Napoleon. Toute autre garantie énoncée ou implicite en ce qui concerne ce produit, ses composants ou accessoires est exclue.

Napoleon® n'endosse ni n'autorise aucun tiers à assumer en son nom, toutes autres responsabilités concernant la vente de ce produit.

Tous dommages causés à l'appareil, aux garnitures en laiton ou autres composants par l'eau, les dommages causés par les intempéries, de longues périodes d'humidité, la condensation, des produits chimiques ou des produits d'entretien nuisibles ne seront

pas la responsabilité de Napoleon®.

Napoleon® se réserve le droit de demander à son représentant d'inspecter tout produit ou pièce avant d'honorer toute réclamation.

Toutes les pièces remplacées dans le cadre de la politique de garantie limitée de 5 ans font l'objet d'une seule demande de remboursement.

Toutes les pièces remplacées au titre de la garantie seront couvertes pour une période de 90 jours à partir de leur date d'installation.

Le fabricant peut exiger que les pièces défectueuses ou les produits soient retournés ou que des photos numériques soient fournies pour valider la réclamation. Les produits retournés doivent être expédiés port payé au fabricant pour une inspection en usine. Si un produit est reconnu comme défectueux, le fabricant le réparera ou le remplacera.

Avant d'expédier votre appareil ou les pièces défectueuses, votre détaillant doit obtenir un numéro d'autorisation. Toute marchandise expédiée à notre usine sans autorisation sera refusée et retournée à l'expéditeur.

Les coûts d'expédition ne sont pas couverts par cette garantie.

Des frais de service supplémentaires peuvent être appliqués si vous cherchez à obtenir des services au titre de la garantie auprès d'un détaillant.

**Pour
enregistrer
votre appareil,
scannez ici.**



Toutes les spécifications et les conceptions sont sujettes à modifications sans préavis en raison des améliorations constantes apportées aux produits. Napoleon® est une marque de commerce déposée de Wolf Steel Itée®.



50 Years of Home
Comfort Solutions.
50 ans de solutions pour
le confort de votre maison.



NAPOLEON® products are protected by one or more U.S. and Canadian and/or foreign patents or patents pending.

Les produits de NAPOLEON® sont protégés par un ou plusieurs brevets américains, canadiens et/ou étrangers au par des brevets en instance.



Address | Adresse

Wolf Steel Ltd.

24 Napoleon Road, Barrie,
Ontario, L4M 0G8, Canada
103 Miller Drive, Crittenden,
Kentucky, 41030, USA



Phone | Téléphone

Canada
1-866-820-8686

Online | En ligne

 www.napoleon.com



Scan code for customer support.
Scannez le code pour obtenir une
assistance clientèle.