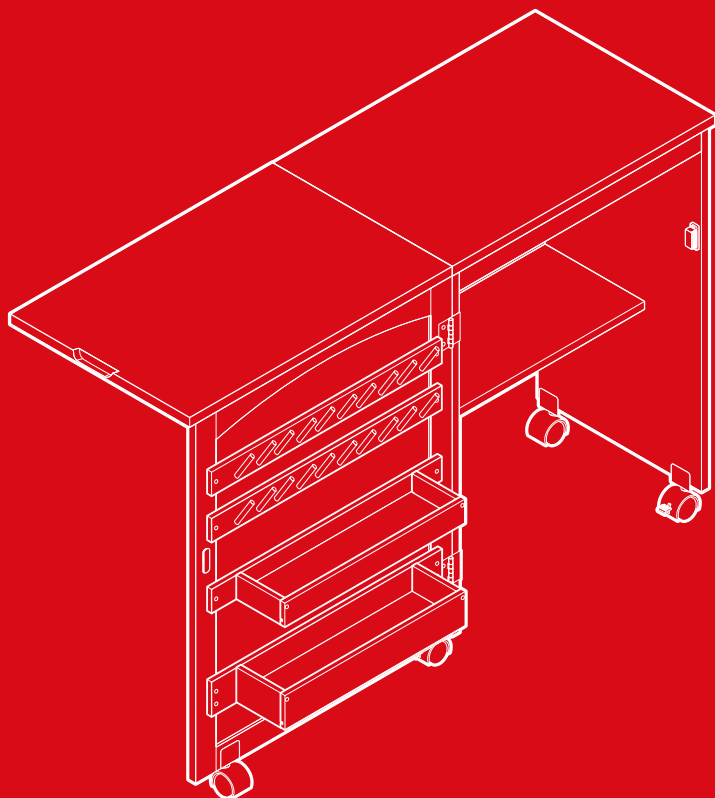




bestchoiceproducts



# INSTRUCTION MANUAL

---

## Folding Sewing Craft Table

## ! NOTICE

Please retain these instructions for future reference.

- Please do not exceed the weight limitations of this item.
- Do not stand on or use any part of this item as a step ladder.
- Firmly secure all bolts, screws, and knobs before use.
- Reconfirm that all bolts, screws, and knobs are secure every 90 days.
- Do not use or store this item in the proximity of open flame or flammable/combustible chemicals.
- If any parts are missing, broken, damaged, or worn, stop using this item until repairs are made and/or factory replacement parts are installed.
- Do not use this item in a way inconsistent with the manufacturer's instructions as this could void the product warranty.

## TOOLS REQUIRED



PHILLIPS  
SCREWDRIVER



FLAT HEAD  
SCREWDRIVER



5 LBS  
EXTENSION  
CAPACITY



40 LBS  
TOTAL  
CAPACITY



1 PERSON  
ASSEMBLY



UP TO 60 MIN.  
ASSEMBLY

## HARDWARE

### A CAM BOLT



14 PCS

### B CAM LOCK



14 PCS

### C DOWEL



21 PCS

### D M4 X 22MM SCREW



18 PCS

### E M4 X 12MM SCREW



10 PCS

### F M3 X 12MM SCREW



9 PCS

### G M3 X 16MM SCREW



2 PCS

### H M4 X 18MM SCREW



1 PC

### I KNOB



1 PC

### J METAL PLATE



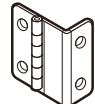
1 PC

### K MAGNETIC PLATE



1 PC

### L HINGE



2 PCS

### M LOCKING CASTER



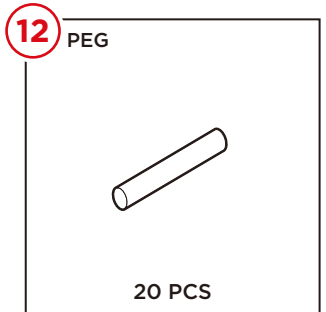
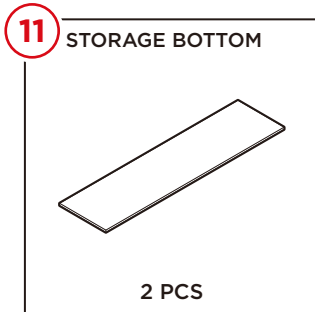
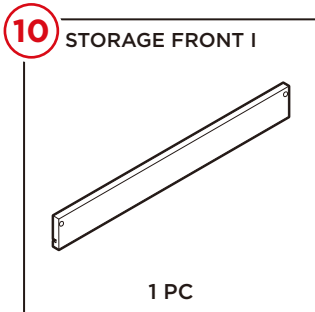
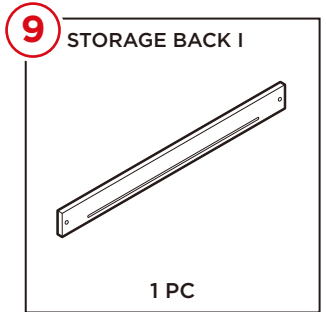
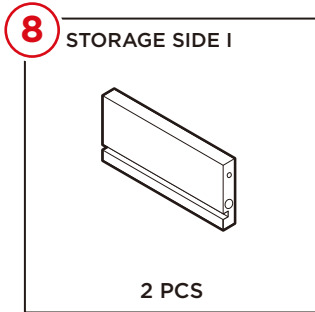
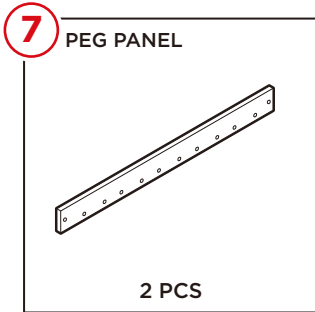
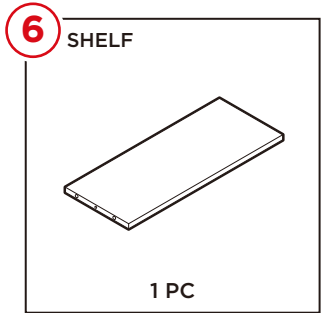
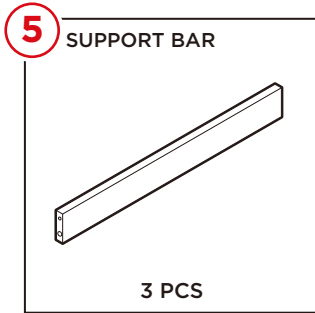
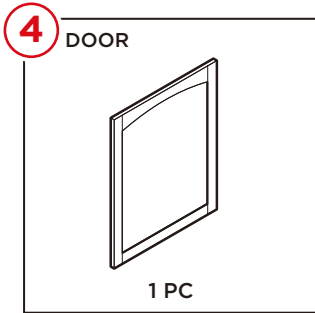
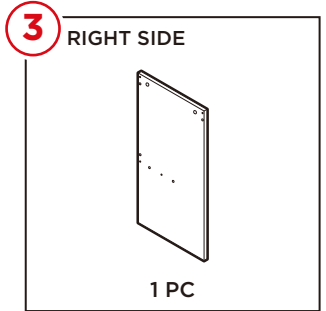
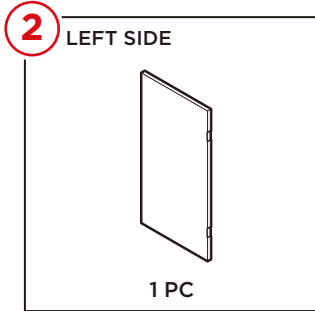
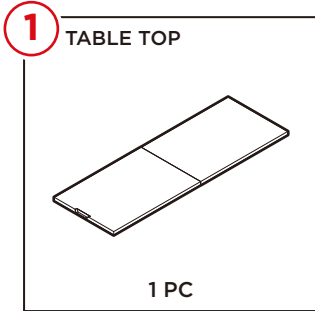
2 PCS

### N CASTER



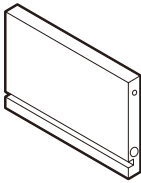
3 PCS

# PARTS



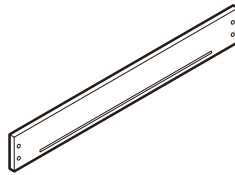
## PARTS

### 13 STORAGE SIDE II



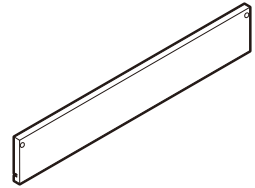
2 PCS

### 14 STORAGE BACK II



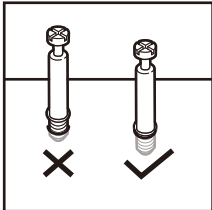
1 PC

### 15 STORAGE FRONT II

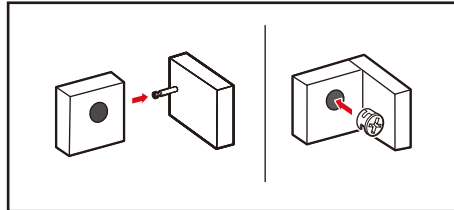


1 PC

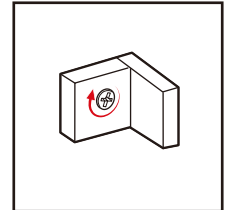
## TIGHTENING CAMLOCKS



1. Screw cam bolt in completely.



2. Insert cam bolt and cam lock into designated holes.

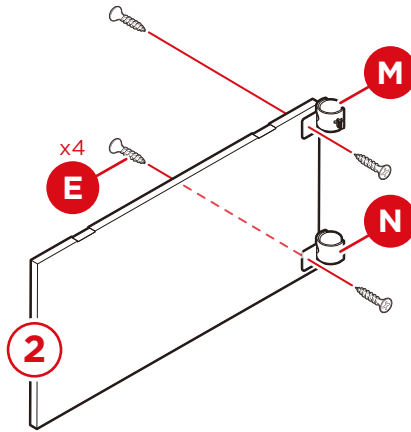


3. Screw cam lock clockwise to secure cam bolt.

## PRODUCT ASSEMBLY

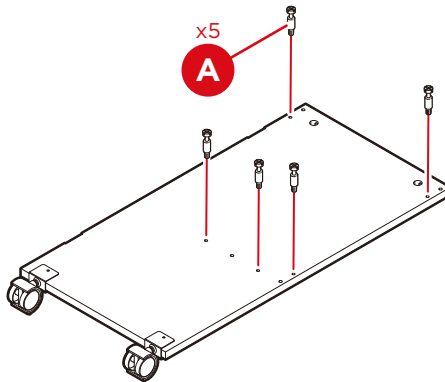
1

Attach a part M locking caster and part N caster to part 2 left side with four part E screws.



2

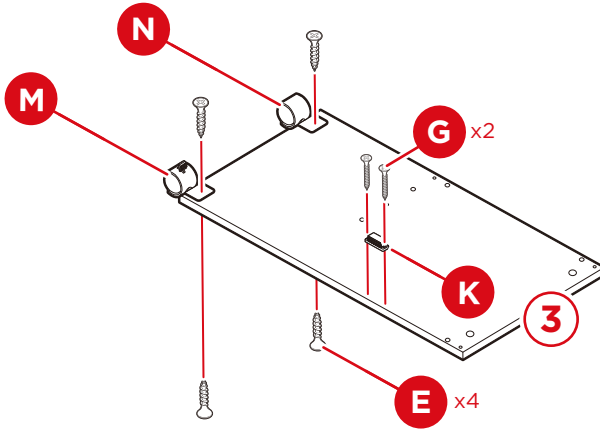
Screw five part A cam bolts into the left side.



## PRODUCT ASSEMBLY

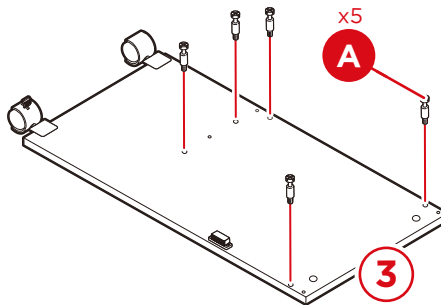
**3**

Attach a part M locking caster and part N caster to part 3 right side with four part E screws. Attach part K magnetic catch with two part G screws.



**4**

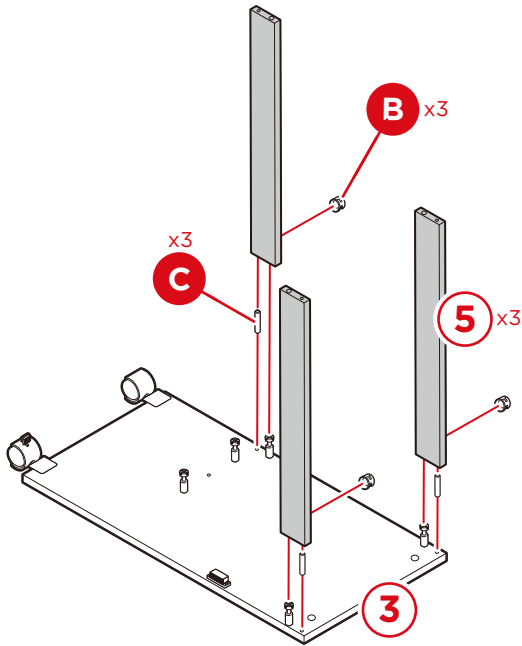
Screw five part A cam bolts into the right side.



## PRODUCT ASSEMBLY

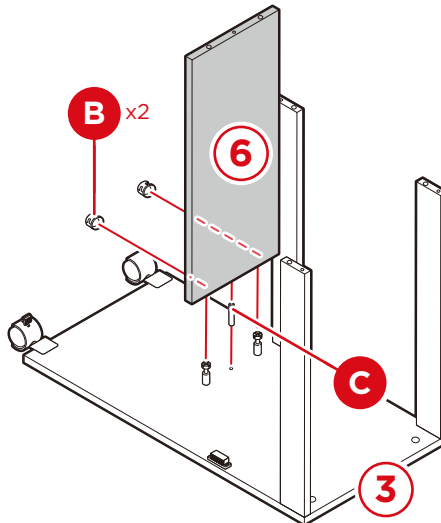
5

Attach three part 5 support bars to the part 3 right side with three part C dowels and three part B cam locks.



6

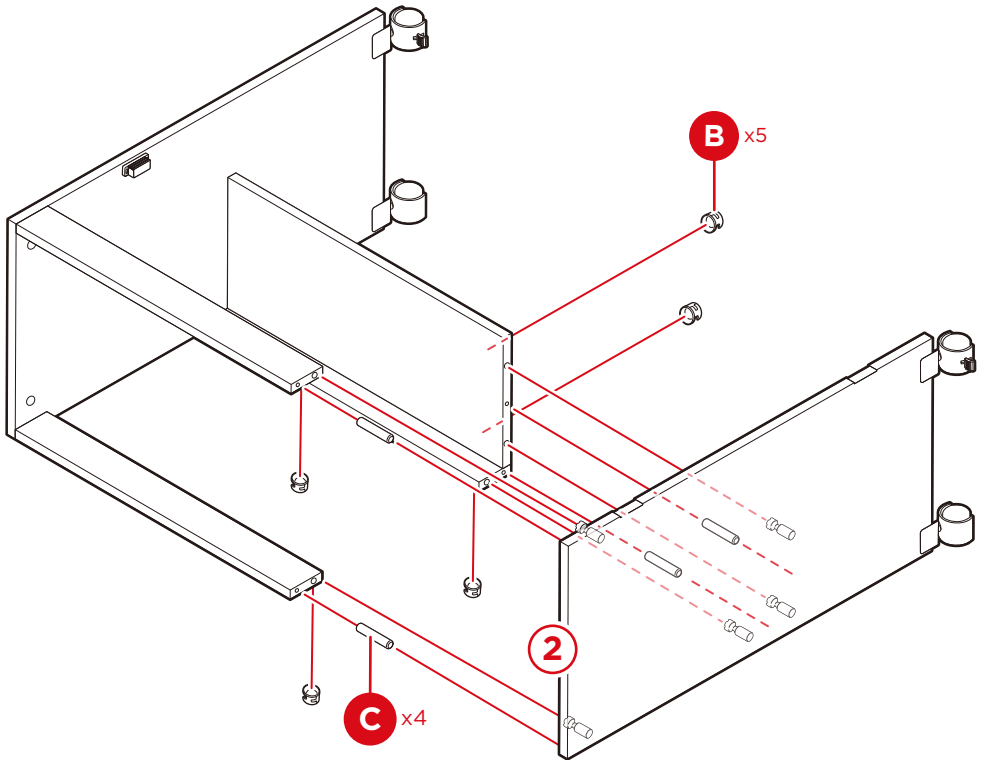
Attach part 6 shelf with a part C dowel and two part B cam locks.



## PRODUCT ASSEMBLY

7

Attach the part 2 left side with four part C dowels and five part B cam locks.



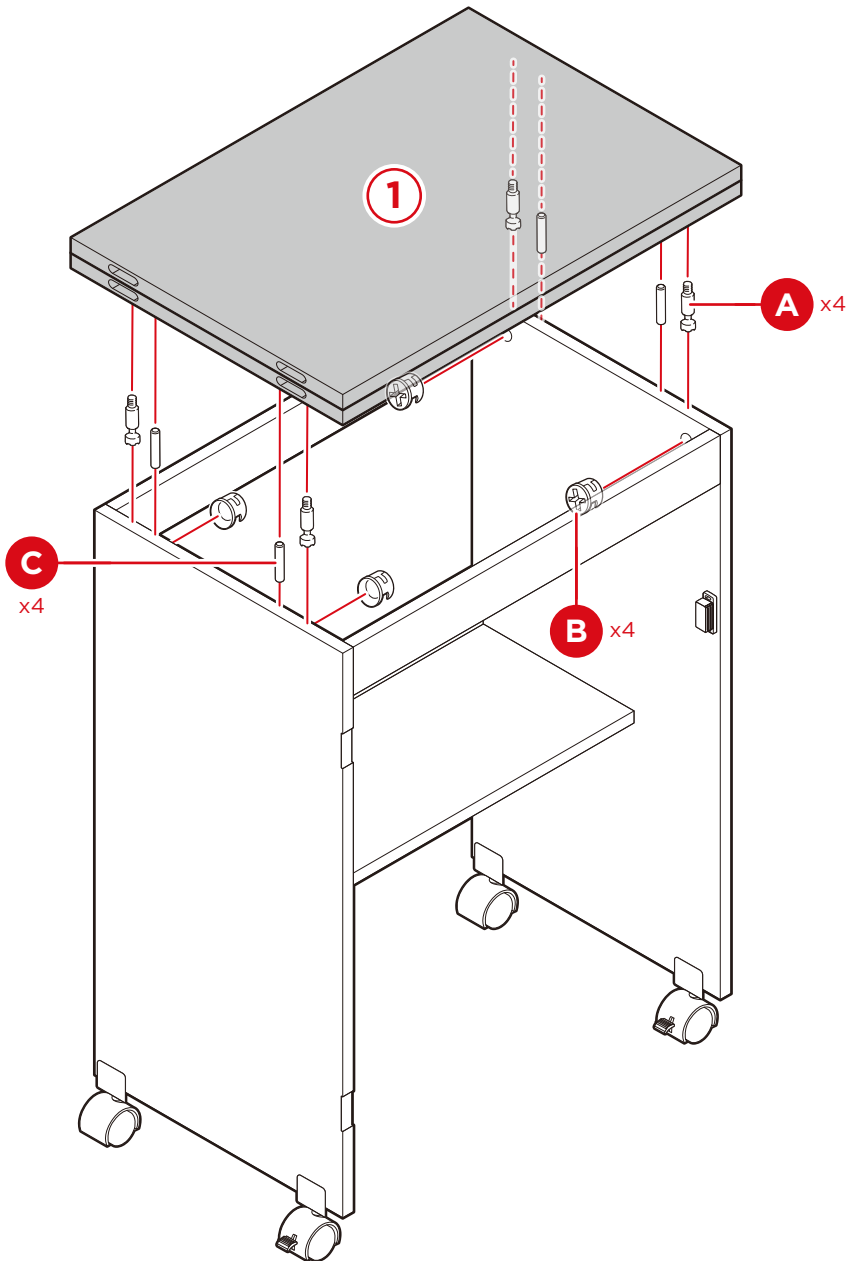


## PRODUCT ASSEMBLY

8

Screw four part A cam bolts into the part 1 tabletop.

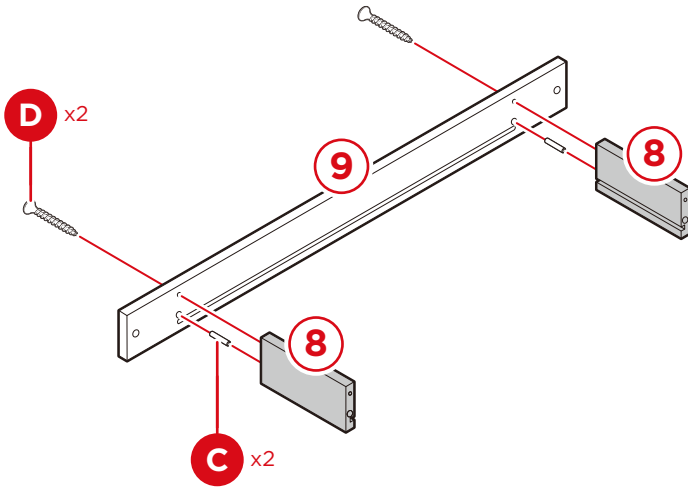
Attach the tabletop with four part C dowels and four part B cam locks.



## PRODUCT ASSEMBLY

9

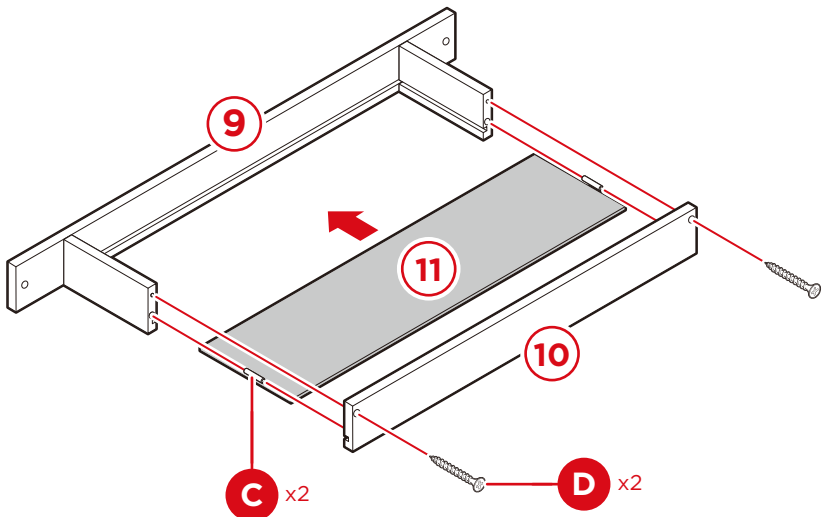
Attach two part 8 storage sides to part 9 storage back with two part C dowels and two D screws.



10

Slide in part 11 storage bottom.

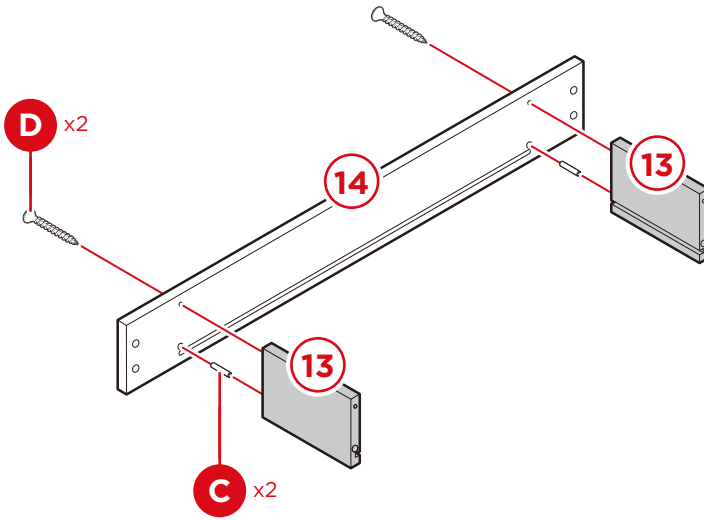
Attach part 10 storage front with two part C dowels and two part D screws.



## PRODUCT ASSEMBLY

11

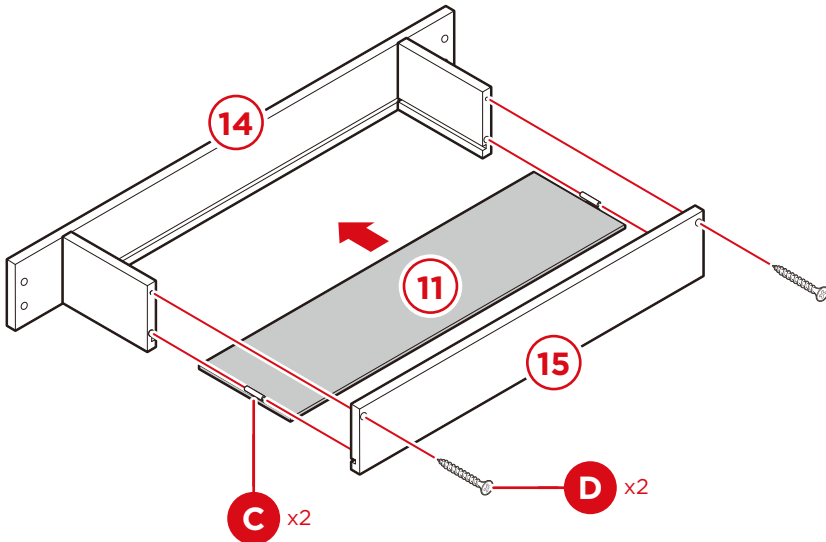
Attach two part 13 storage sides to part 14 storage back with two part C dowels and two D screws.



12

Slide in part 11 storage bottom.

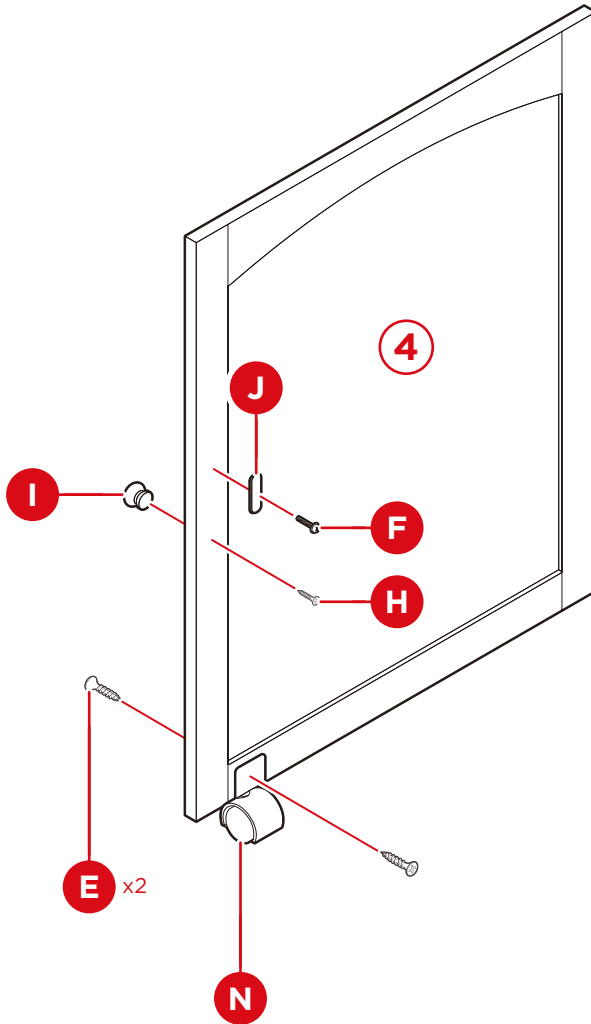
Attach part 15 storage front with two part C dowels and two part D screws.



## PRODUCT ASSEMBLY

**13**

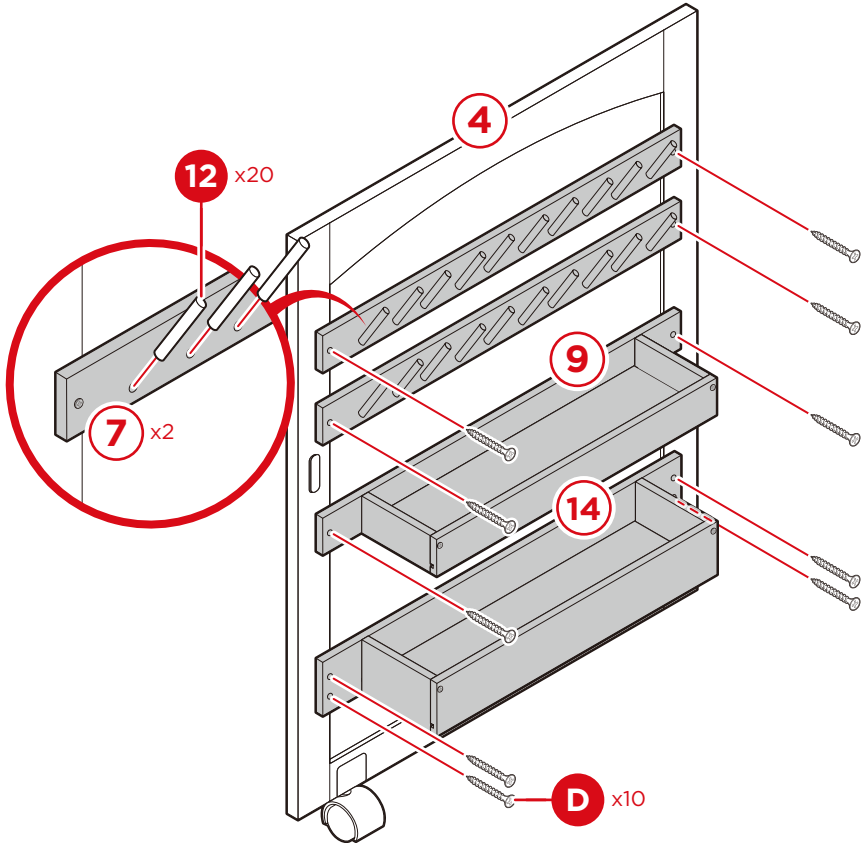
- Attach a part N caster to the part 4 door with two part E screws.
- Attach part I knob with a part H screw.
- Attach part J metal plate with a part F screw.



## PRODUCT ASSEMBLY

**14**

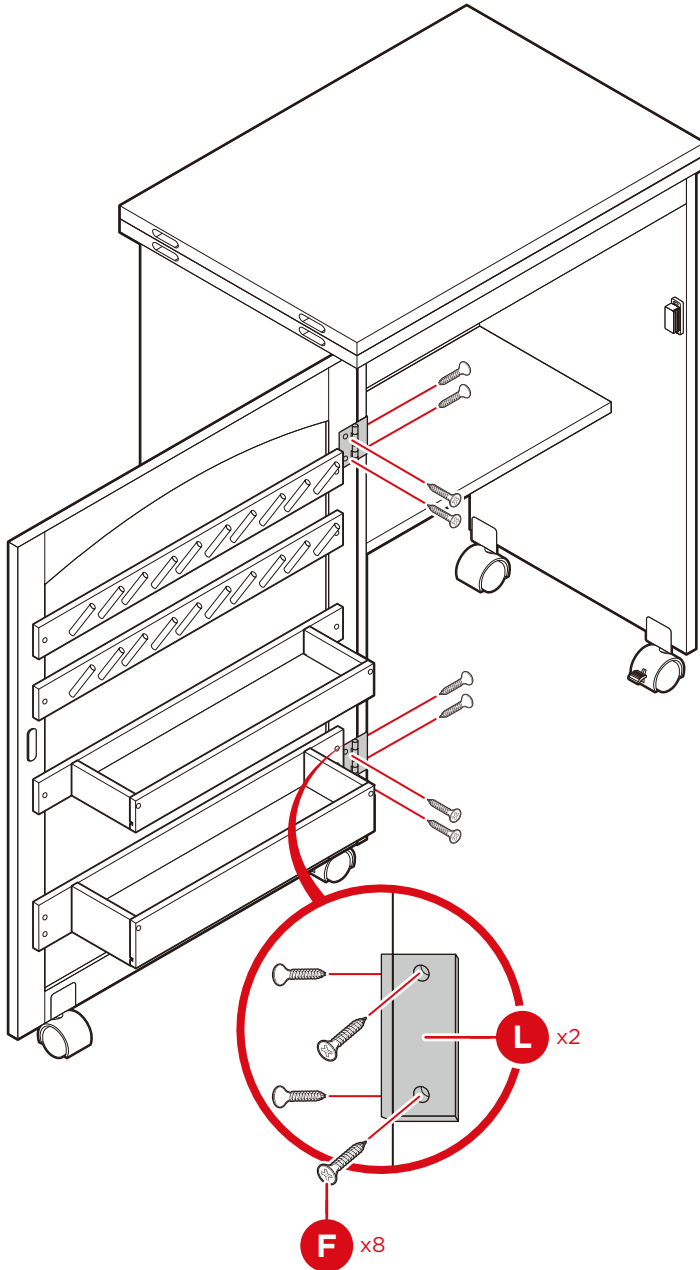
Attach the two storage compartments and two part 7 peg panels with ten part D screws. Insert twenty part 12 pegs into the peg panels.



# PRODUCT ASSEMBLY

15

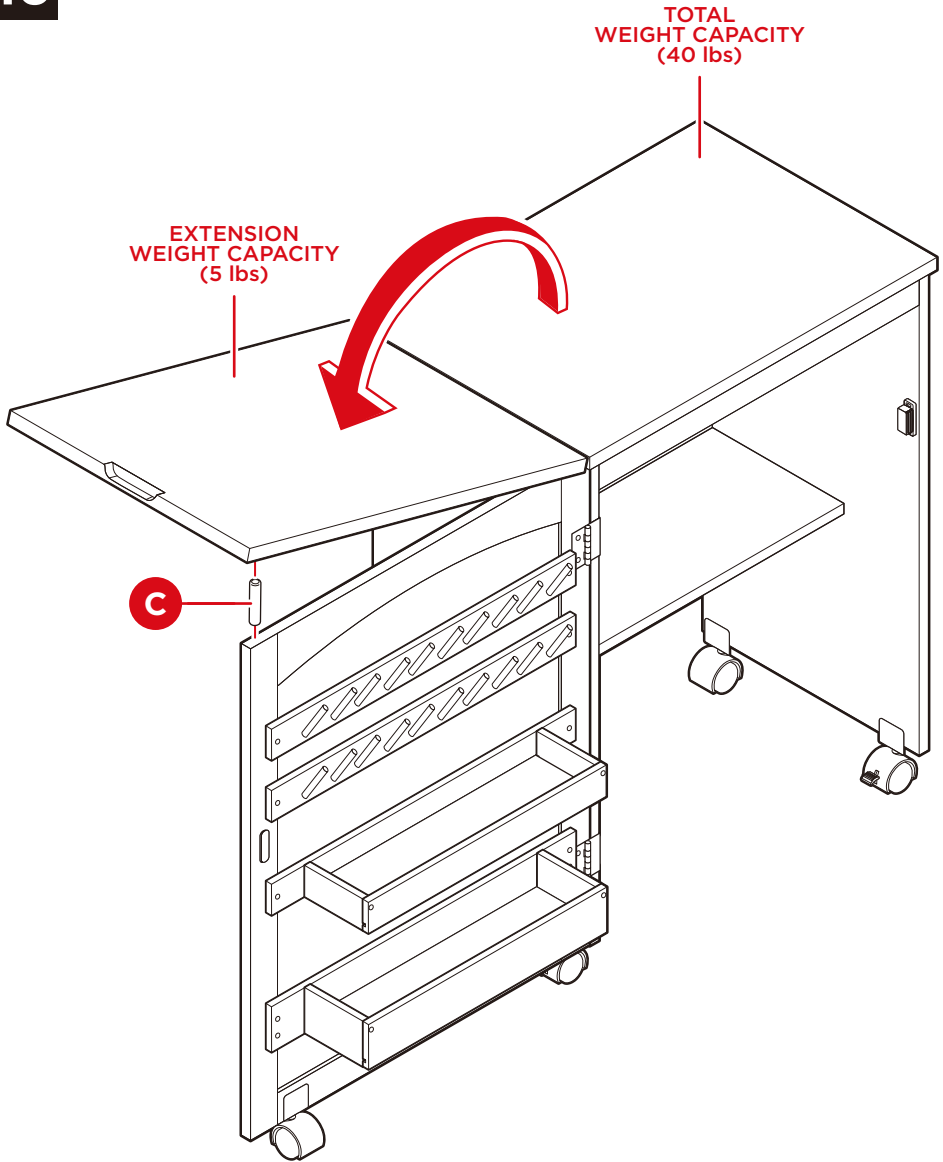
Attach the door to the assembly with two part L hinges and eight part F screws.



## PRODUCT ASSEMBLY

16

Flip open the tabletop and secure it with a part C dowel.





# HELP CENTER



Question about your product? We're here to help. Visit us at:

[help.bestchoiceproducts.com](http://help.bestchoiceproducts.com)



Chat Support



Product Inquiry



Orders FAQ



Product Assembly



Returns & Refunds

## PRODUCT WARRANTY INFORMATION

All items can be returned for any reason within 60 days of the receipt and will receive a full refund as long as the item is returned in its original product packaging and all accessories from its original shipment are included. All returned items will receive a full refund back to the original payment method. All returned items will not be charged a re-stocking fee.

All returned items require an RA (Return Authorization) number, which can only be provided by a Best Choice Products Customer Service Representative when the return request is submitted. Items received without an RA may not be accepted or may increase your return processing time. Once an item has been received by Best Choice Products, refunds or replacements will be processed within 5 business days.

All returns must be shipped back to the Best Choice Products Return Center at the customer's expense. If the reason for return is a result of an error by Best Choice Products then Best Choice Products will provide a pre-paid shipping label via email. Boxes for return shipping will not be provided by Best Choice Products, and is the customer's responsibility to either use the original shipping boxes or purchase new boxes.

Pictures may be required for some returns to ensure an item is not damaged prior to its return. Items returned are not considered undamaged until they are received by Best Choice Products and verified as such. All damages to items are the customer's responsibility until the item has been received by and acknowledge by Best Choice Products as undamaged.



## WARNING

Manufacturer and seller expressly disclaim any and all liability for personal injury, property damage or loss, whether direct, indirect, or incidental, resulting from the incorrect attachment, improper use, inadequate maintenance, unapproved modification, or neglect of this product.