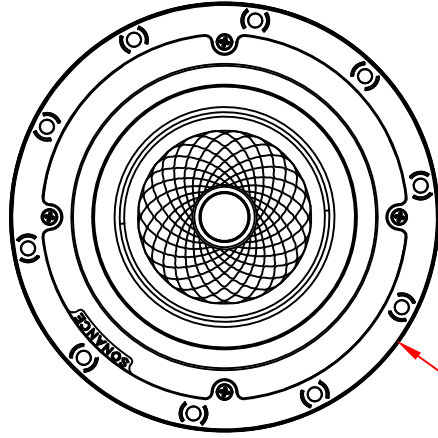
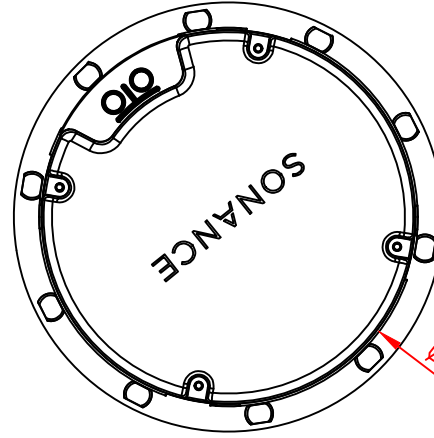


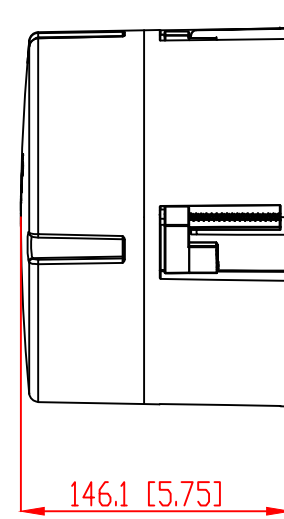
FRONT



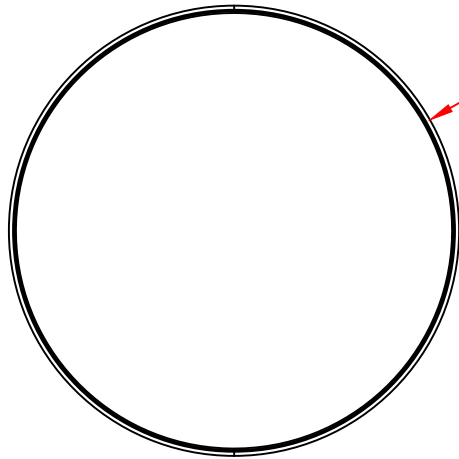
BACK / MINIMUM CUTOUT



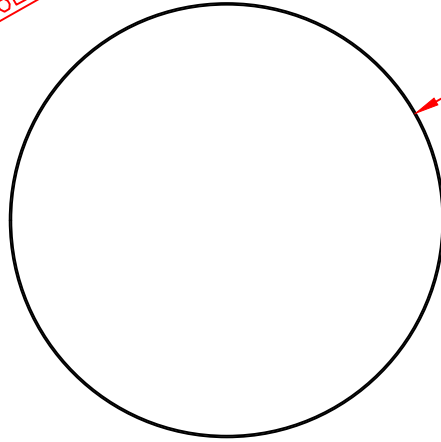
MOUNTING DEPTH



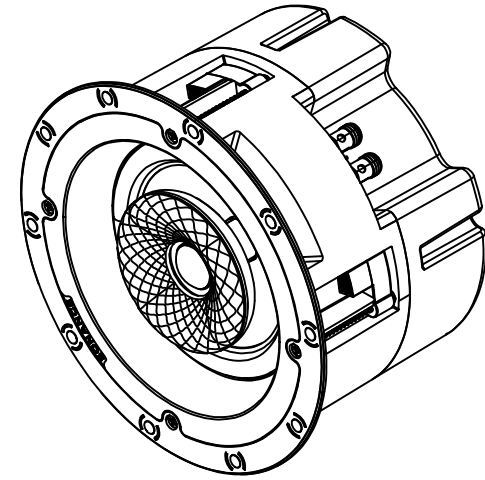
MICRO TRIM GRILLE



TRIMLESS GRILLE



ISOMETRIC



Ø232.8 [Ø9.17]

Ø205.6 [Ø8.09]

146.1 [5.75]

Ø244.4 [Ø9.62]

Ø235.6 [Ø9.28]

4.0 [0.16]

3.6 [0.14]

VX60R WITH RETROFIT ENCLOSURE SPEAKER

REV.

DRAWN BY: Roy

RELEASED DIM

SCALE: 1:1

SHEET: 0F

991 Calle Amanecer
San Clemente, California 92673 USA
949-492-7777
WWW.SONANCE.COM

SONANCE