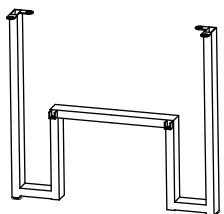

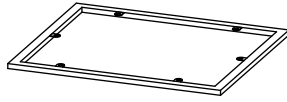

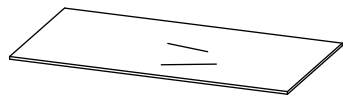

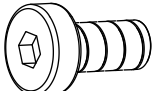
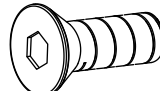


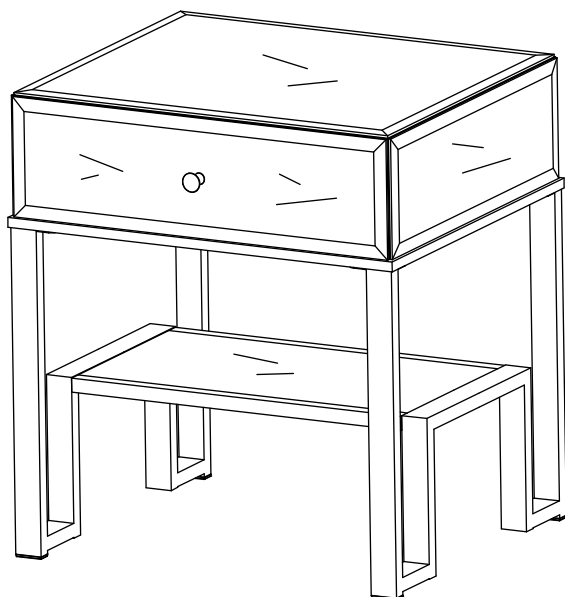


ASSEMBLY INSTRUCTION

MIRROR END TABLE WITH DRAWER

A Side Panel  2pcs	B Stretcher  2pcs	C Metal Frame  1pc	D Mirrored Top  1pc
E Mirror Shelf 523x259x5mm  1pc	F Drawer Knob w/ Plastic Washer *Inside the drawer of Mirrored Top  1pc	G Bolt 1/4"x1/2"  4pcs	H Bolt 1/4"x1/2"  14pcs
I Mirror Pad  4pcs	J Allen Wrench 1/4"  1pc		

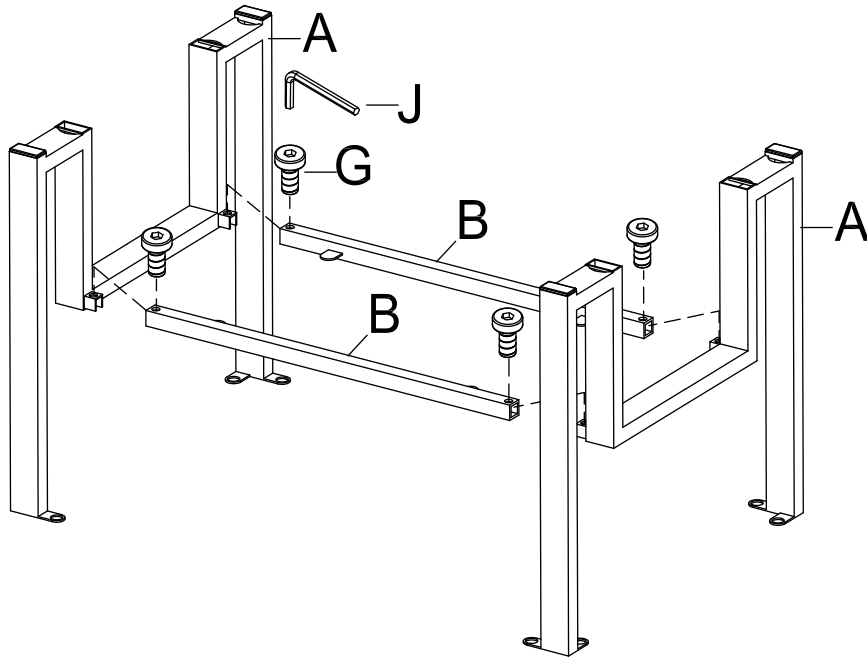


This page lists all the contents included in the box. Please take the time to identify the hardware as well as the individual components to this product. As you unpack and prepare for assembly, place the contents on a carpeted or padded area to protect them from damage.

***** Do not tighten screws & bolts until the entire unit is completely assembled.**

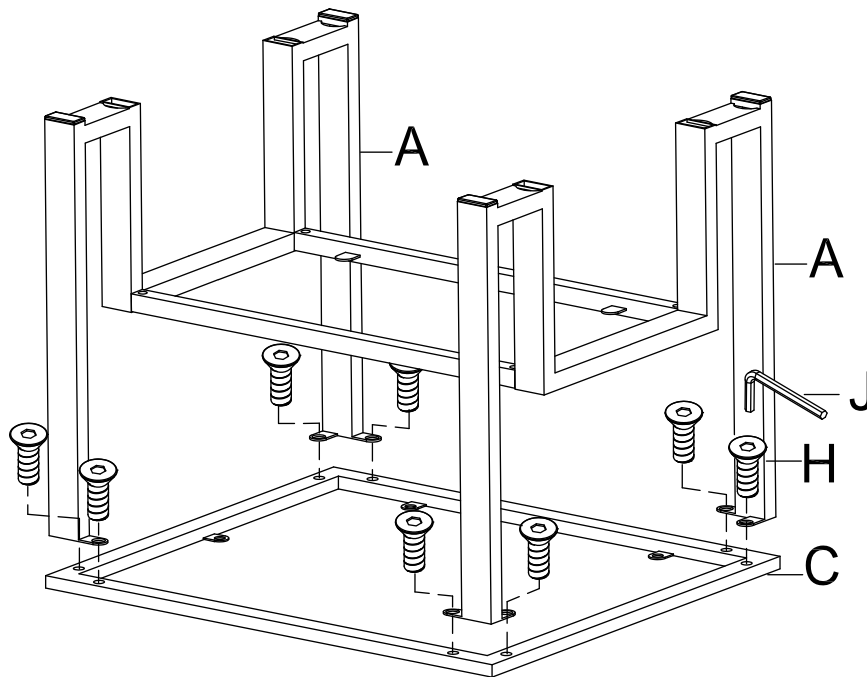
1

Attach side panel (A) to stretcher (B) by using bolt (G) and allen wrench (J) as shown.

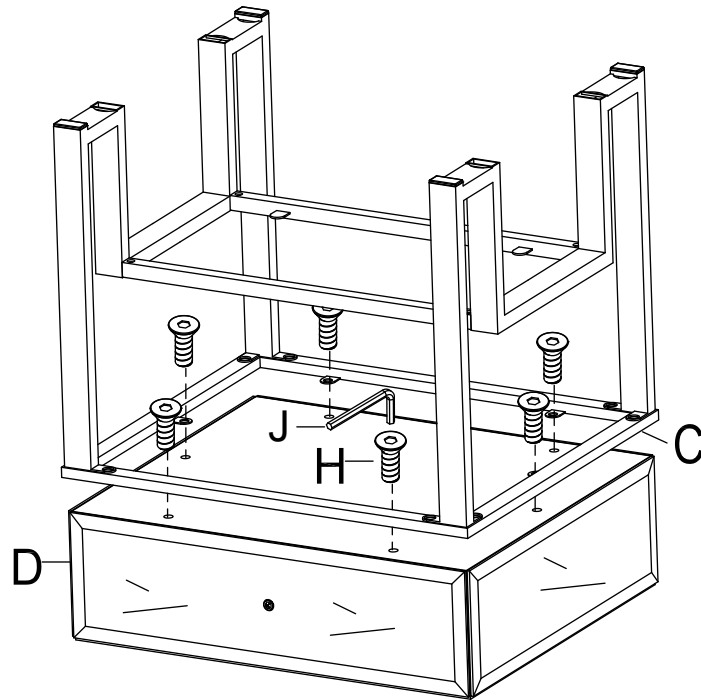


2

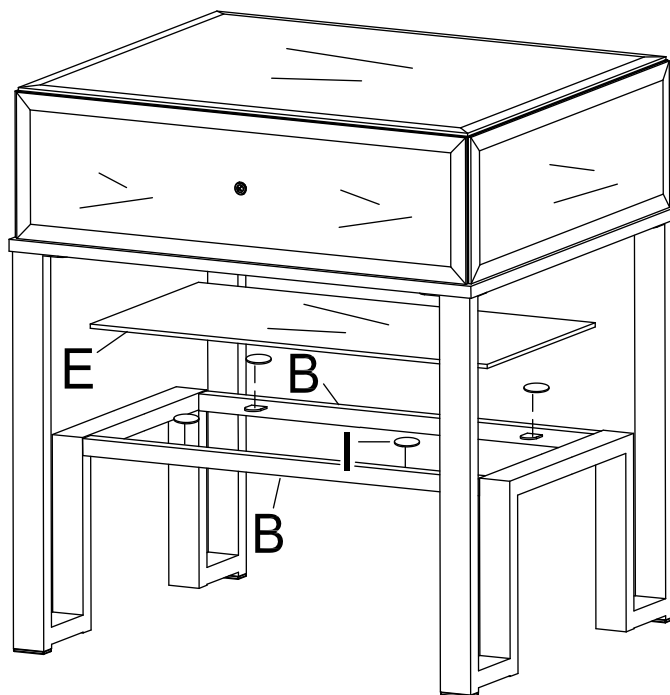
Attach side panel (A) to metal frame (C) by using bolt (H) and allen wrench (J) as shown.



- 3** Attach metal frame (C) to mirrored top (D) by using bolt (H) and allen wrench (J) as shown. Tighten all bolts at this step



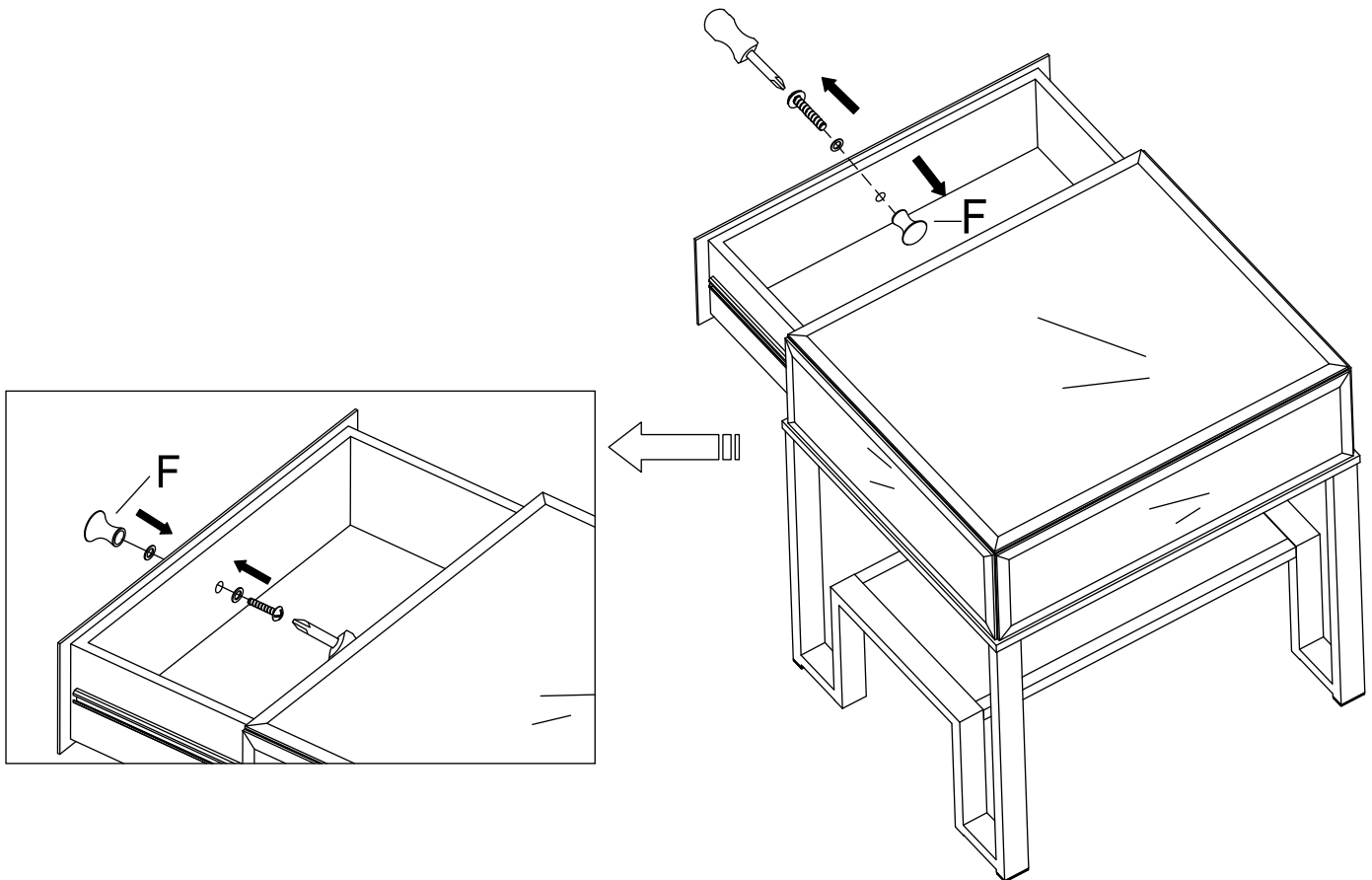
- 4** Carefully turn the assembled unit upright. Attach mirror pad (I) to iron sheet on stretcher (B), and then place mirror shelf (E) into stretcher (B) as shown.



5

Remove drawer knob (F) from inside of the drawer and reattach on drawer front as shown. The mirrored end table assembly is now complete.

* © - The two plastic washers are for the purpose of protecting mirror surface. Please place one of the washers inside of the drawer and place the other one between front of the drawer and drawer knob.



Cleaning & Care

Treat surface with care. Surface is resistant to scratches but is not scratch resistant. Clean surfaces with a dry or damp soft cloth. Do not use abrasive cleaners. Hardware may loosen over time. Periodically check that all connections are tight.