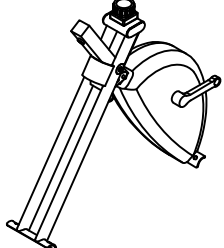
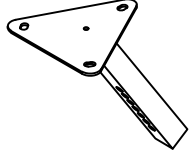
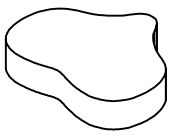
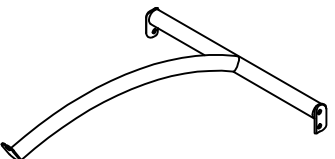
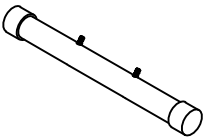
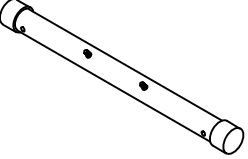
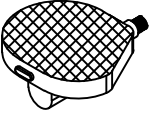
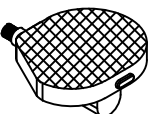
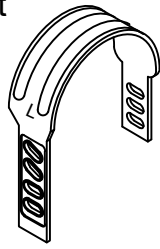
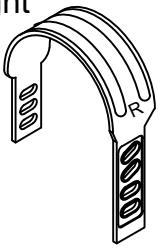
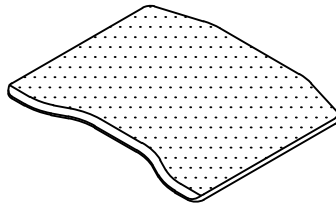

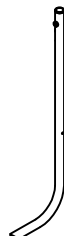
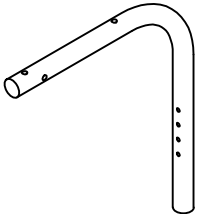
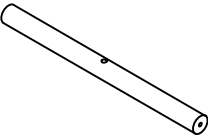
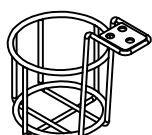
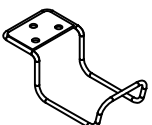
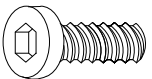
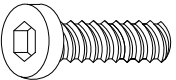
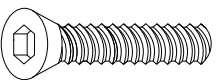
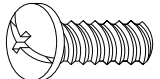


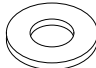
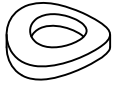


ASSEMBLY INSTRUCTION

BIKE DESK WITH 2 SIDE HOLDER

A Bike Main Body  1pc	B Seat Post  1pc	C Seat Cushion  1pc	D Support Frame  1pc
E Leg - Back  1pc	F Leg - Front  1pc	G Pedal- Left  1pc	H Pedal - Right  1pc
I Adjustable Binding - Left  1pc	J Adjustable Binding - Right  1pc	K Table Top  1pc	L Support Post - Left  1pc
M Support Post - Right  1pc	N Support Post - Top  2pcs	O Connect Bar  1pc	P Holder  1pc
Q Hook  1pc	R Bolt $\text{\O}1/4\text{"}\times1/2\text{"}$  3pcs	S Bolt $\text{\O}1/4\text{"}\times1-3/8\text{"}$  5pcs	T Bolt $\text{\O}1/4\text{"}\times2\text{"}$  6pcs
U Bolt $\text{\O}3/16\text{"}\times1/2\text{"}$  6pcs	V Flat Washer $\text{\O}1/4\text{"}\times19\text{mm}$ (Pre-assembled on Seat Cushion)  3pcs	W Flat Washer $\text{\O}1/4\text{"}\times16\text{mm}$  1pc	X Flat Washer $\text{\O}1/4\text{"}\times12\text{mm}$  6pcs

Y Washer
ø8x22mm



4pcs

Z Hex Nut
M8
(Pre-assembled on
Seat Cushion)



3pcs

AA Acorn Nut
M8



4pcs

AB Fix Bolt
M12x66mm



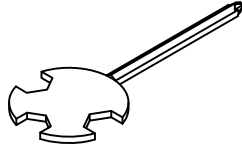
1pc

AC Allen Key
M4



1pc

AD Spanner
13mm-15mm



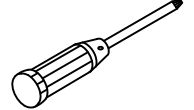
1pc

AE Adjuster Knob
ø38x51xø10



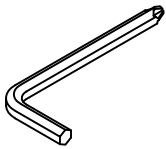
2pcs

AF Screwdriver
(Not Provided)

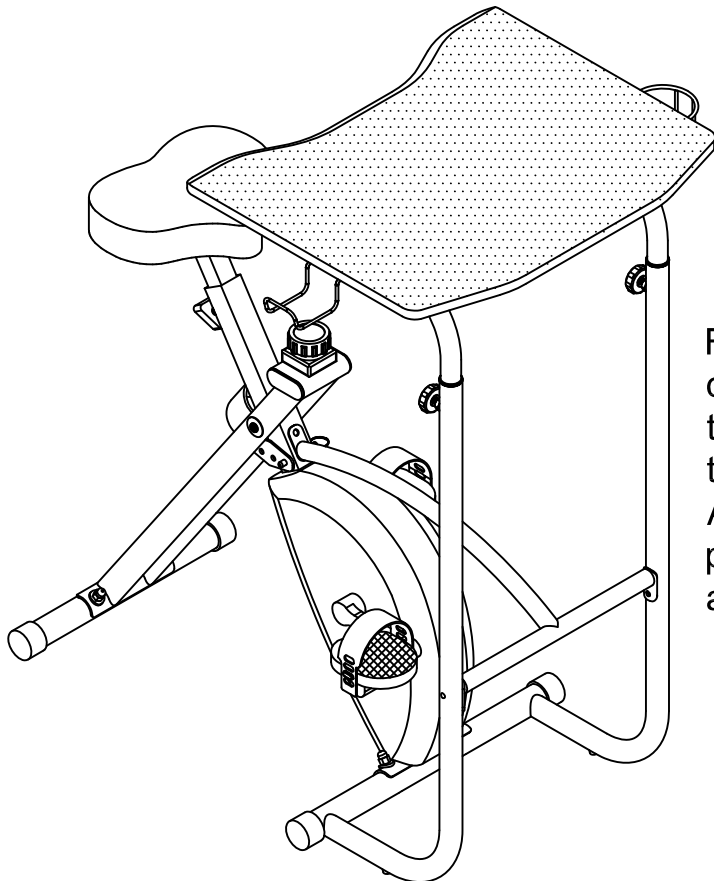


1pc

AG Allen Key (Spare Part)
M5



1pc



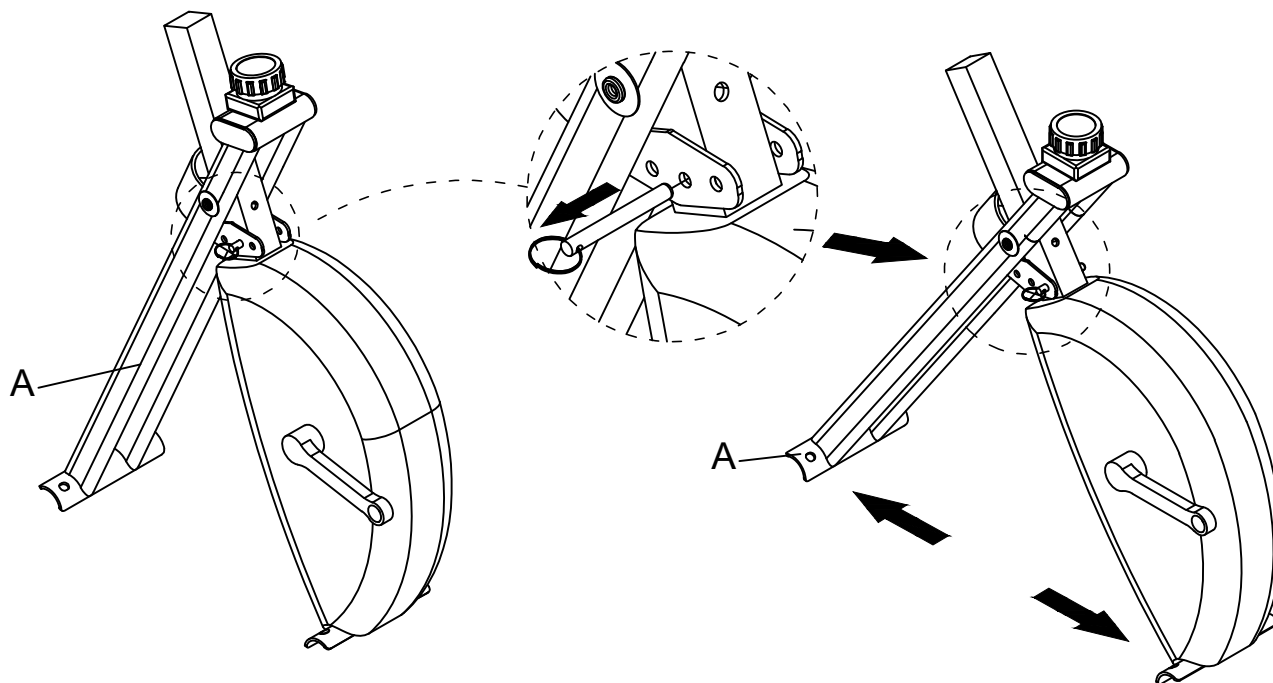
First page and second page list all the contents included in the box. Please take the time to identify the hardware as well as the individual components to this product. As you unpack and prepare for assembly, place the contents on a carpeted or padded area to protect them from damage.

- 1** Remove the pin of Bike Main Body (A), adjust the width of the body, then, insert the the pin back to the hole on the most edge of the panel as below shown.

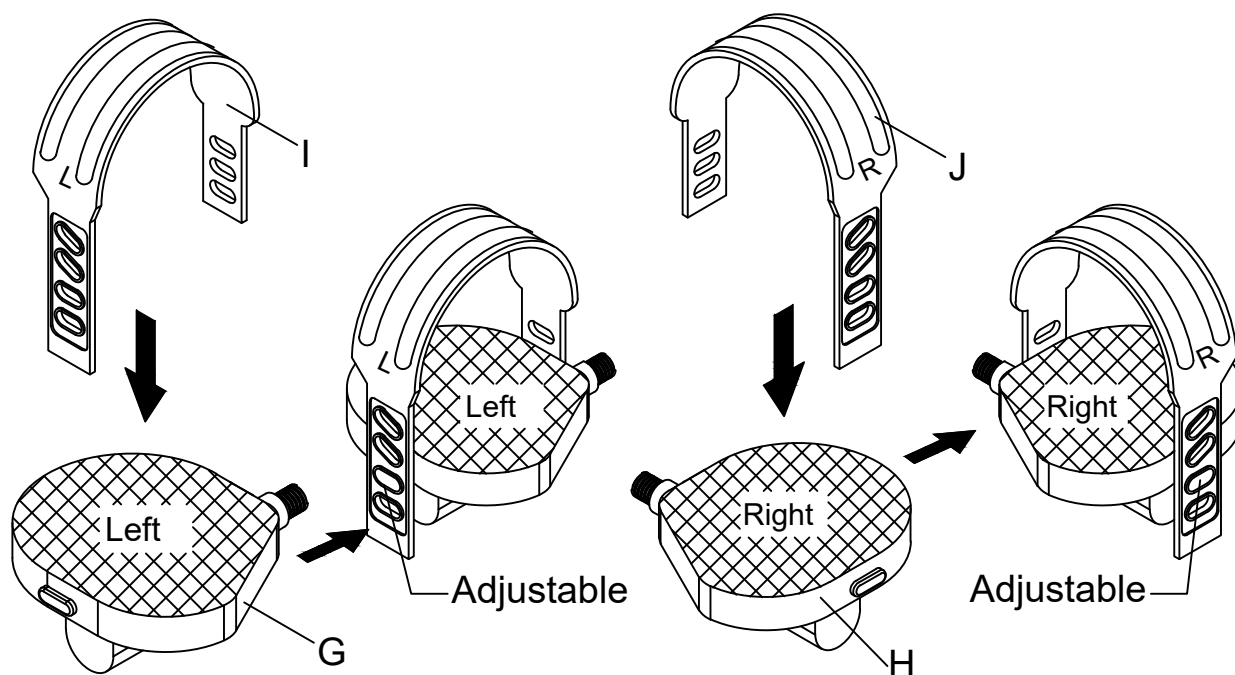
ASSEMBLY

Do not fully tighten all bolts until assembly is complete.

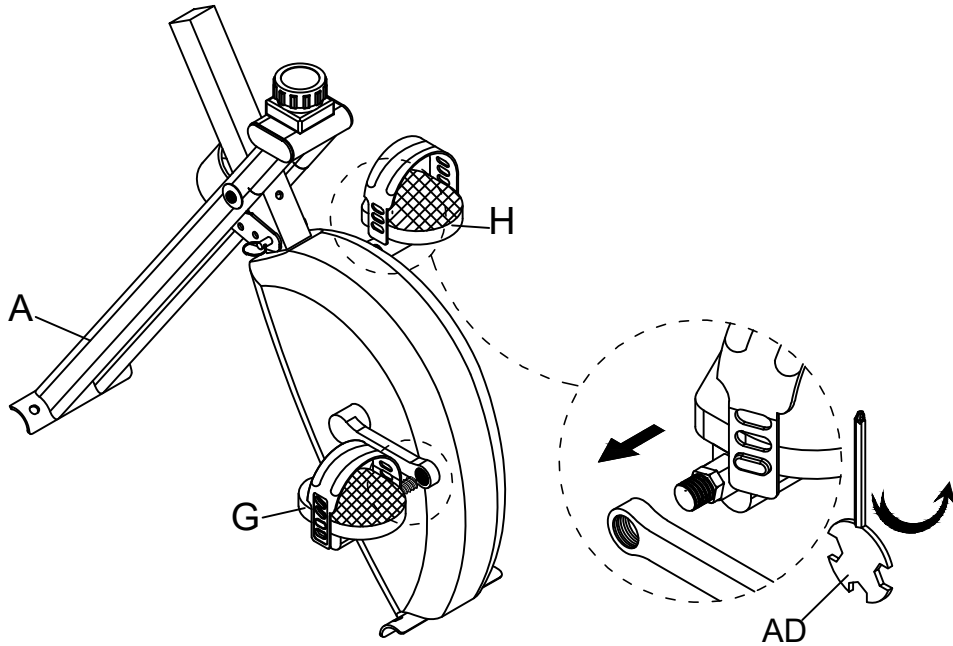
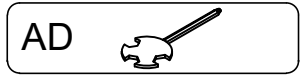
This will help all parts to assemble properly.



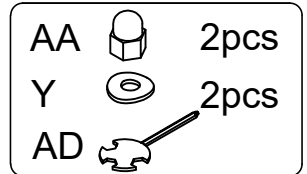
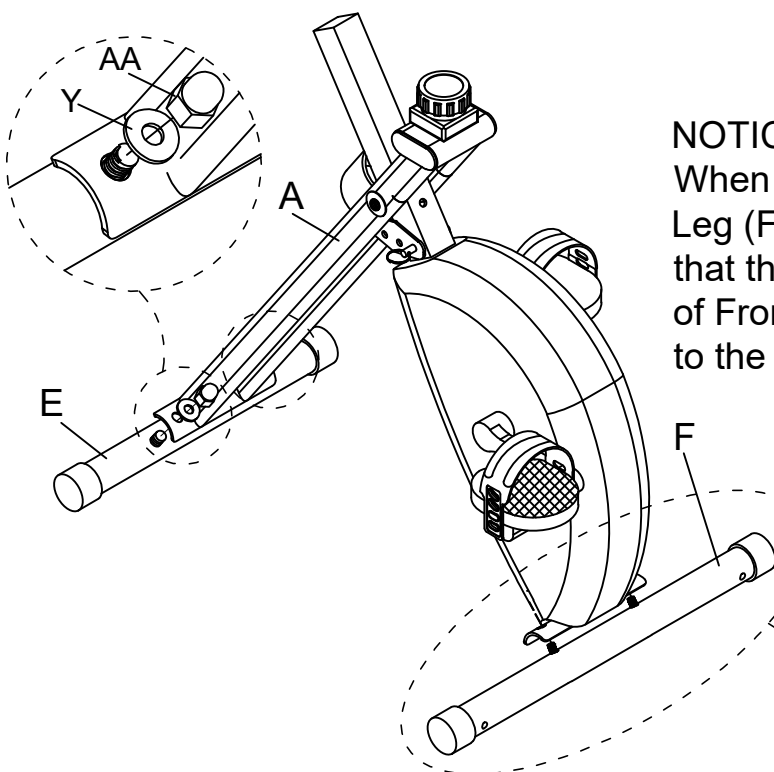
- 2** Assemble Adjustable Binding - Left (I) & Adjustable Binding - Right (J) to Pedal - Left (G) & Pedal - Right (H) as below shown.



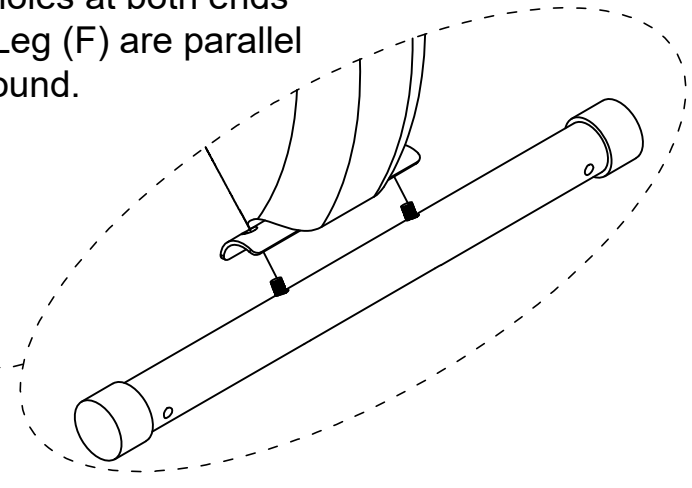
3 Assemble Pedal-Left (G) and Pedal-Right (H) to Bike Main Body (A), then fasten by Spanner (AD) as below shown.



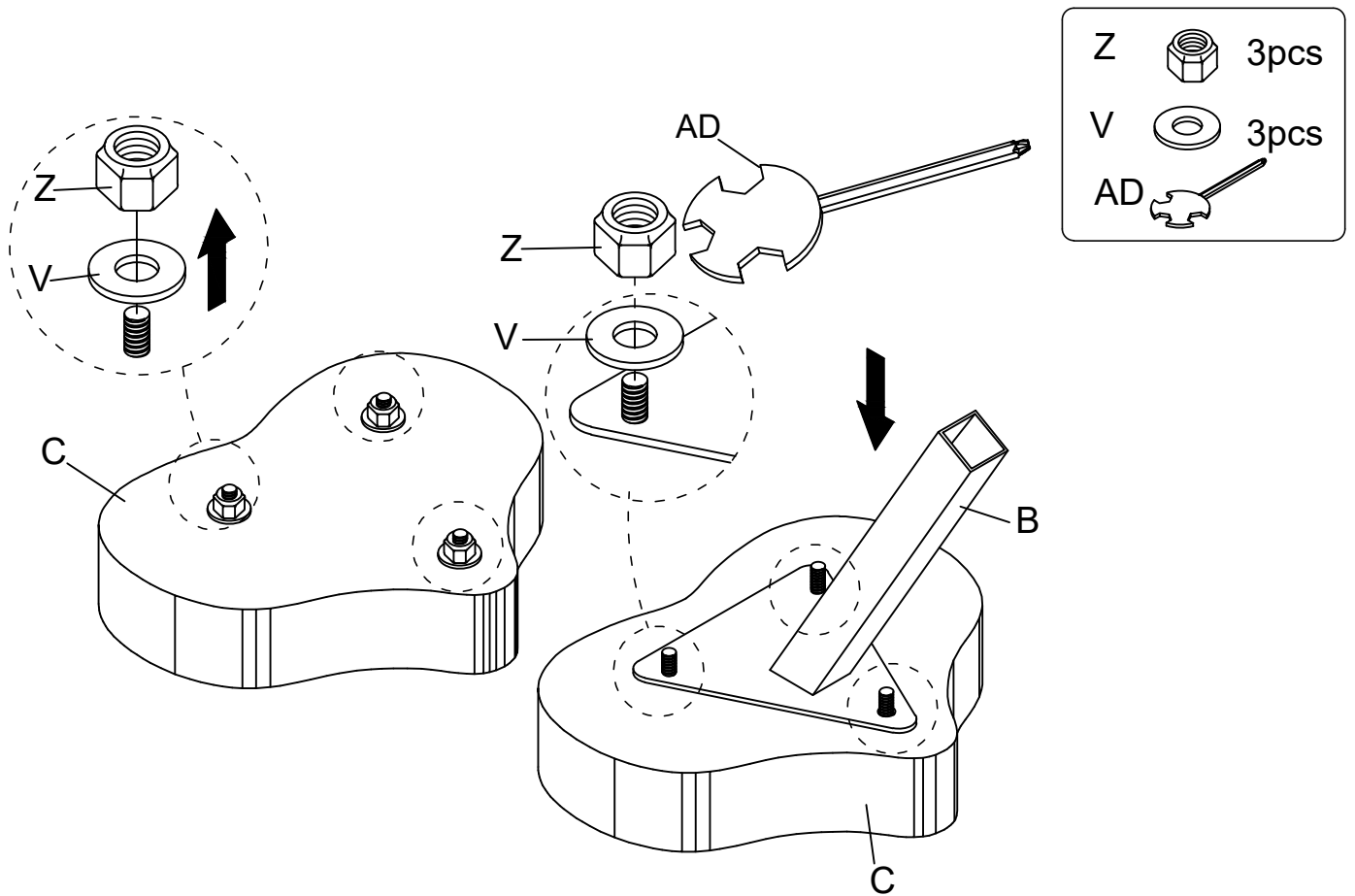
4 Assemble Back Leg (E) to Bike Main Body (A), using Acorn Nut (AA) & Washer (Y) to fasten by Spanner (AD), attach Leg-Front (F) with Bike Body (A) as below shown, but do not lock at this step.



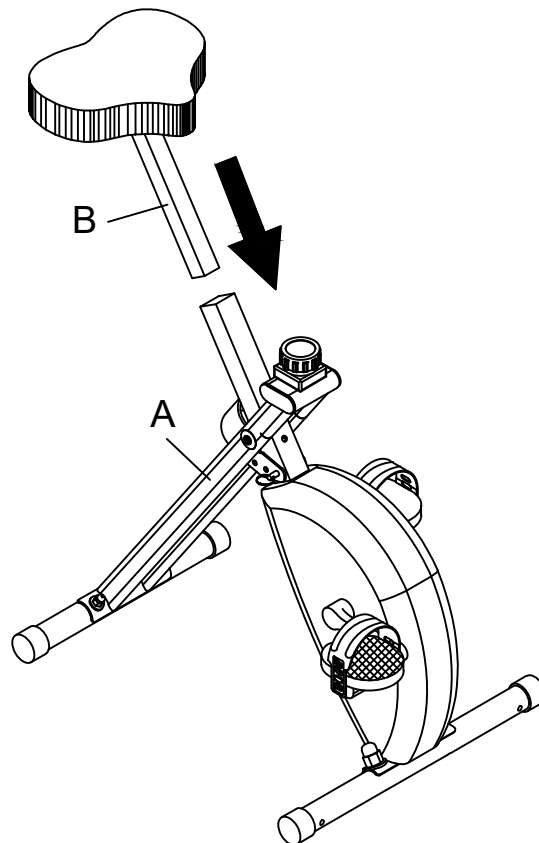
NOTICE:
When assemble the Front Leg (F), please make sure that the holes at both ends of Front Leg (F) are parallel to the ground.




5 Remove Hex Nut (Z) & Flat Washer (V) from Seat Cushion (C) first, then assemble Seat Post (B) to Seat Cushion (C), using Hex Nut (Z) & Flat Washer (V) to lock back and fasten by Spanner (AD) as below shown.

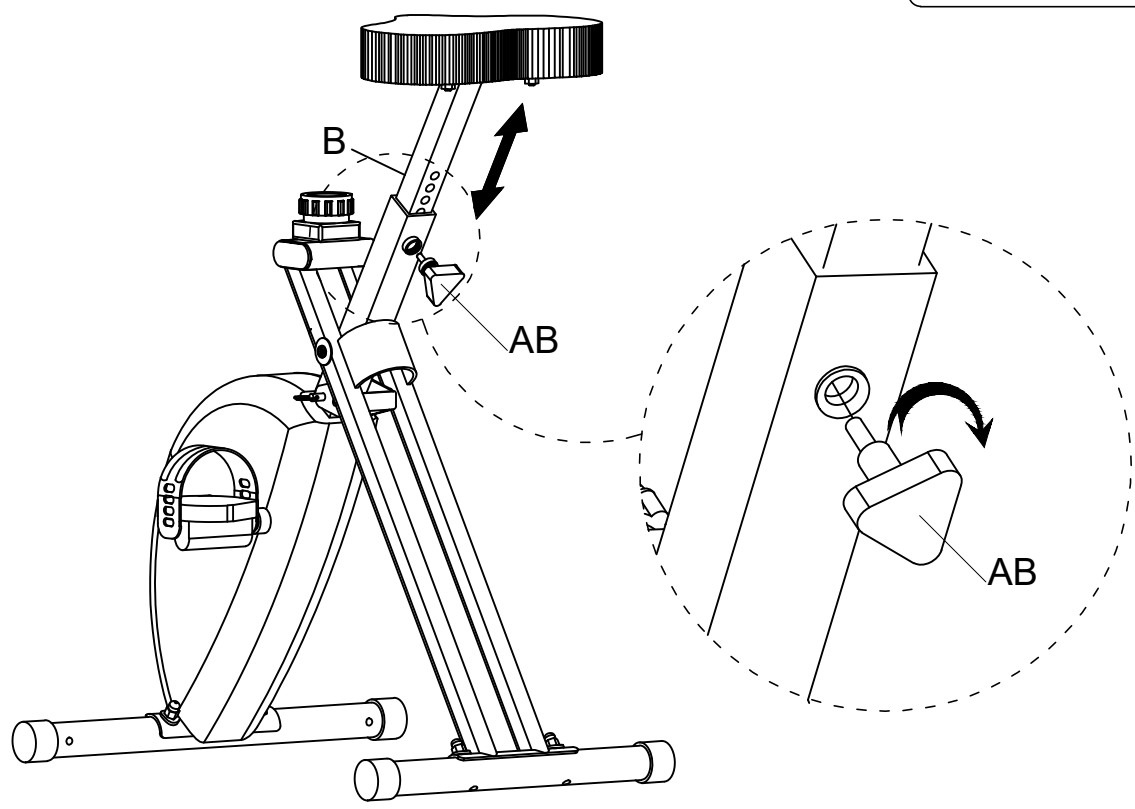


6 Insert Seat Post (B) into Bike Main Body (A) as below shown.





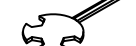


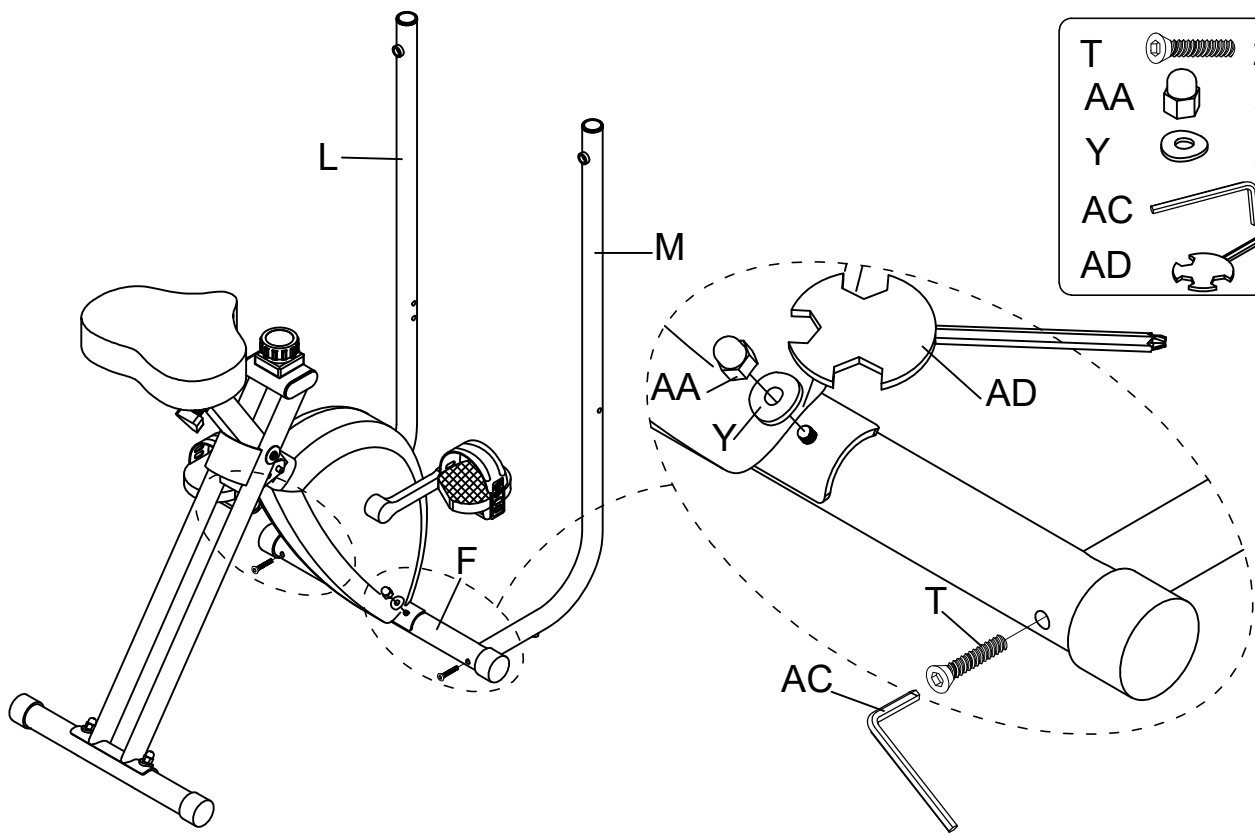
7 Adjust Seat Post (B) to suit for your height, then fasten with Fix Bolt (AB).

AB  1pc

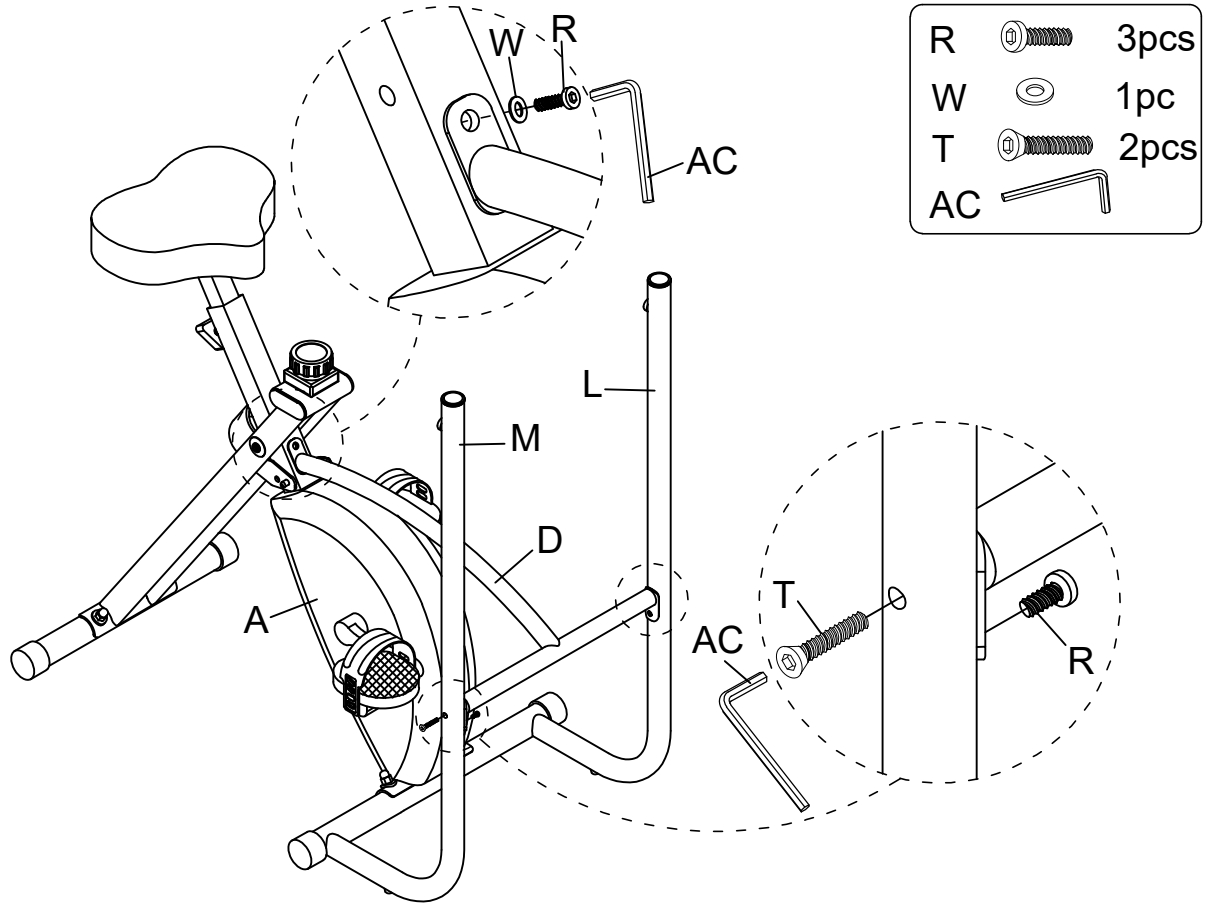


8 Assemble Support Post - Left (L) & Support Post - Right (M) to Leg - Front (F), using Bolt (T) to fasten by Allen Key (AC), assemble Leg - Front (F) to bike main Body (A), using Acorn Nut (AA) & Washer (Y) by spanner (AD) as below shown.

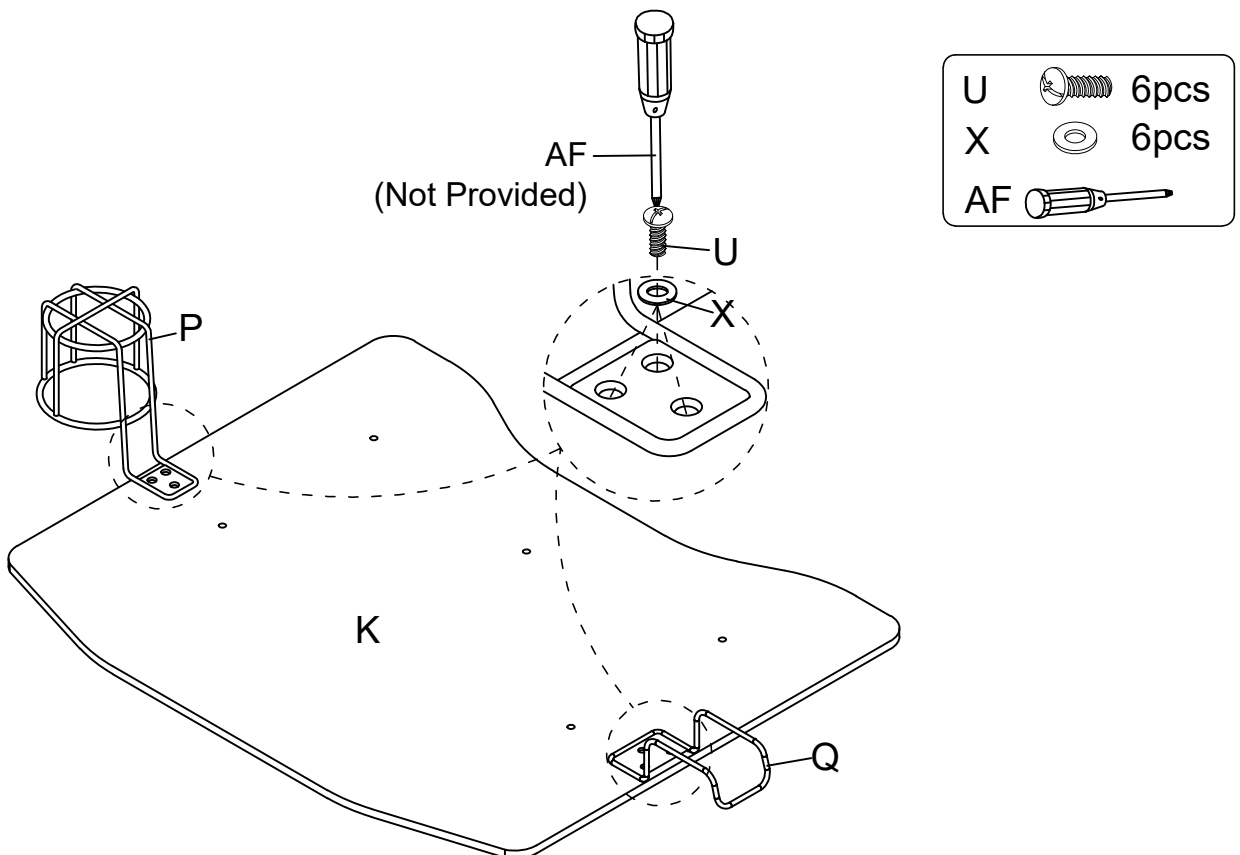
T  2pcs
AA  2pcs
Y  2pcs
AC 
AD 



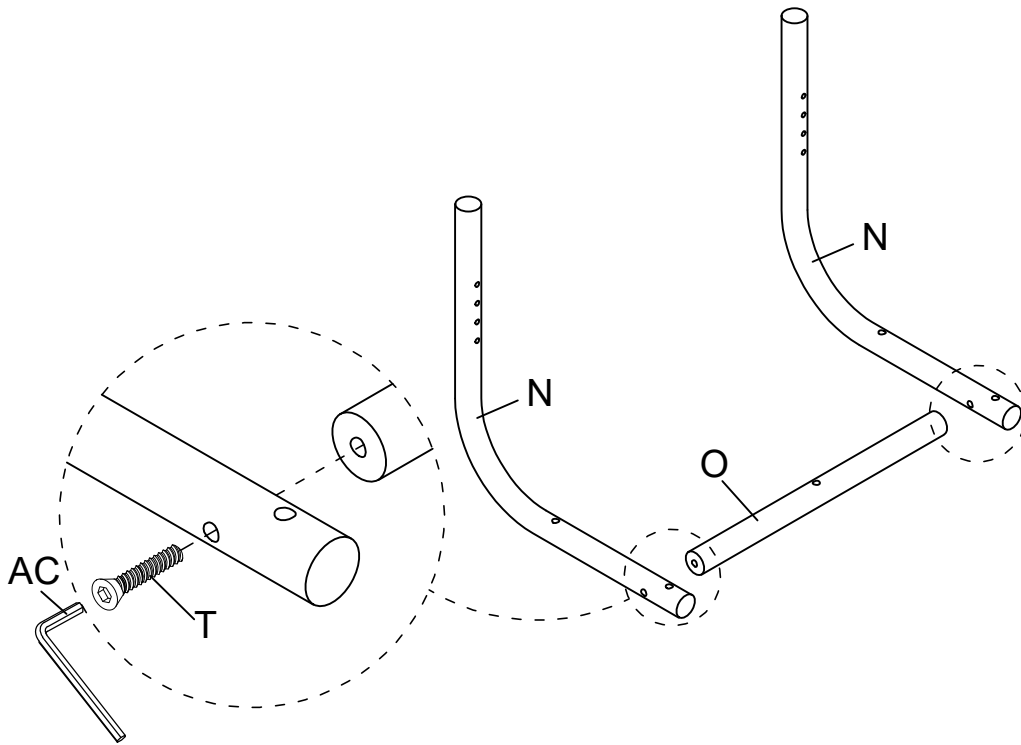
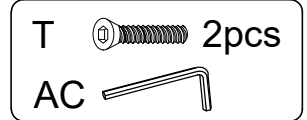
9 Assemble Support Frame (D) & Support Post - Left (L) & Support Post - Right (M) to Bike Main Body (A), using Bolt (T), Bolt (R) & Flat Washer (W), then fasten by Allen Key (AC).



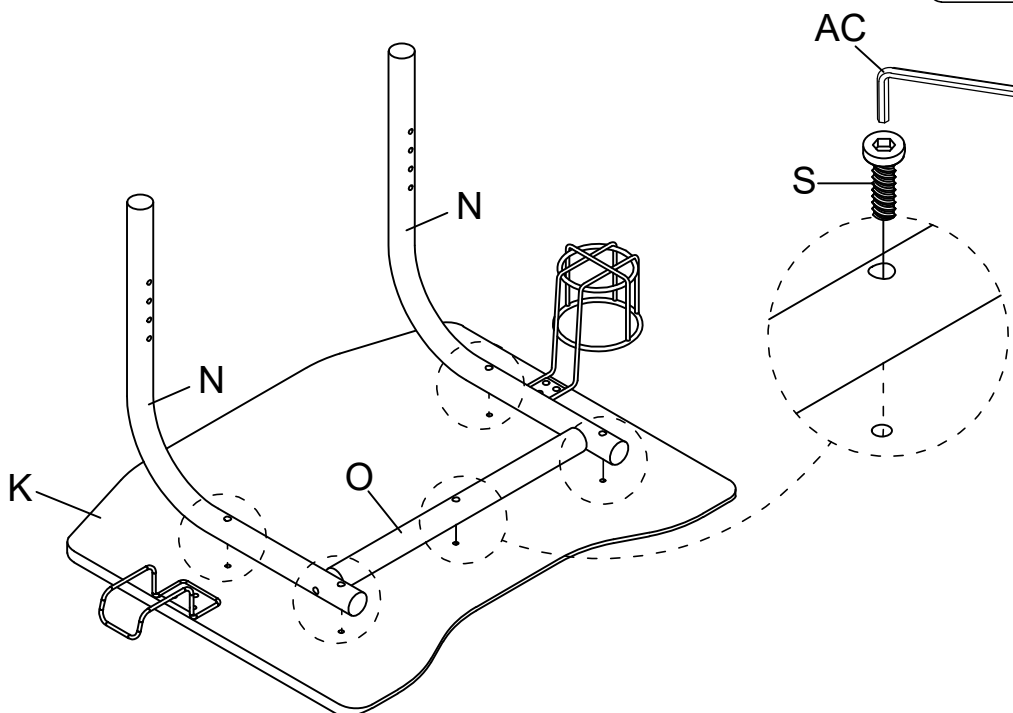
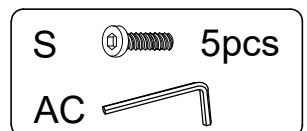
10 Assemble Holder (P) & Hook (Q) to Table Top (K), using Bolt (U) & Flat Washer (X), then fasten by Screwdriver (AF) as below shown.



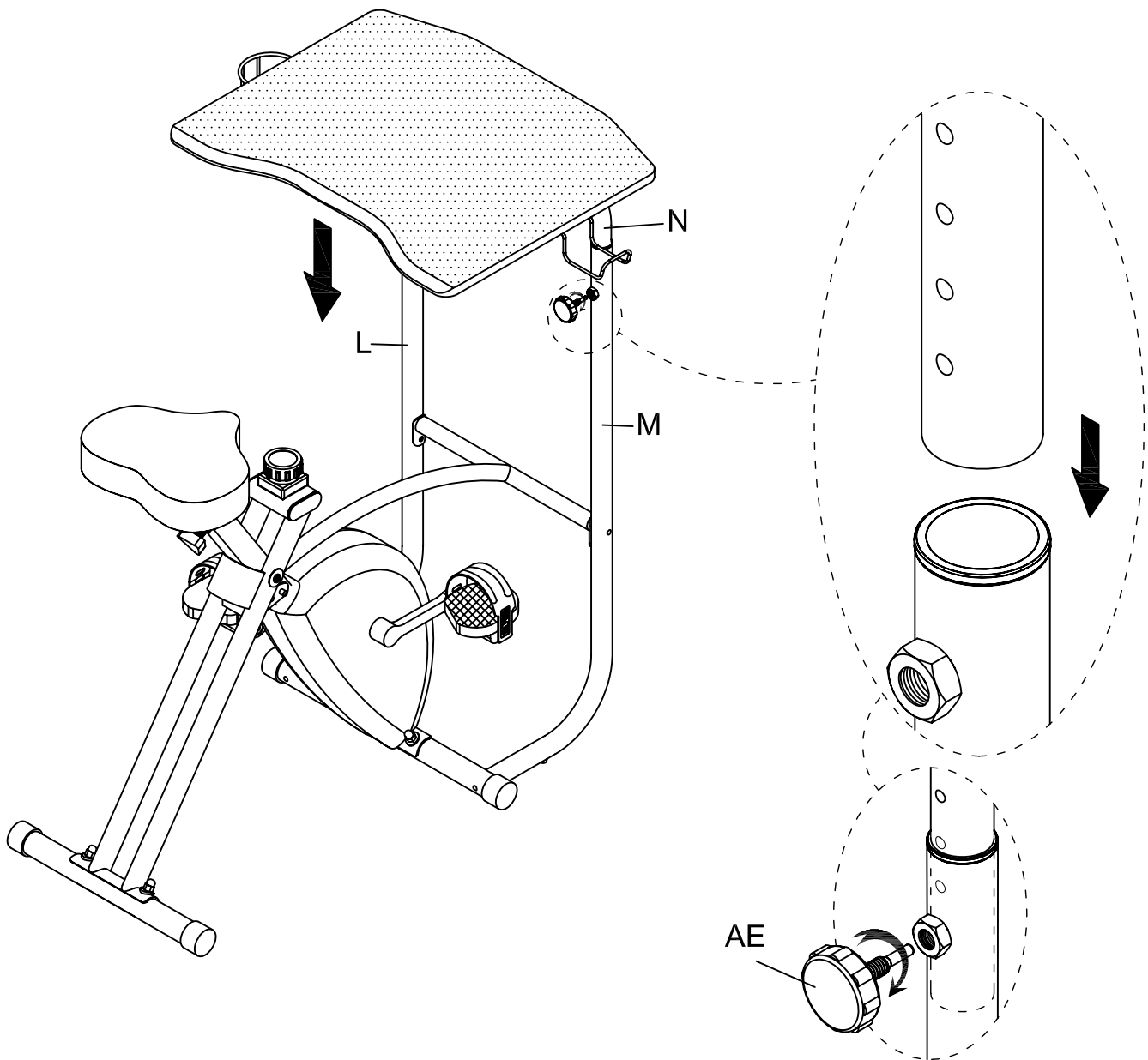
11 Assemble Connect Bar (O) to Support Post - Top (N), using Bolt (T), then fasten by Allen Key (AC) as below shown.



12 Assemble Connect Bar (O) & Support Post - Top (N) to Table Top (K), using Bolt (S) to fasten by Allen Key (AC) as below shown.



13 Insert Support Post - Top (N) to Support Post - Left (L) & Support Post - Right (M), please make sure the height of right & left support posts are the same, and the table is parallel with the ground, then lock by Adjuster Knob (AE) as below shown. There are four holes, you can adjust table height to suit for your height.



⚠ WARNINGS:

- Do not remove warning label from Bike Desk.
- Do not place any item on the top panel weighing more than 45LBS.
- Maximum loading weight is not exceed 220LBS on the seat.
- Please make sure that all bolts are fully tightened before using.

Cleaning & Care

Treat surface with care. Surface is resistant to scratches but is not scratch resistant. Clean surfaces with a dry or damp soft cloth. Do not use abrasive cleaners. Hardware may loosen over time. Periodically check that all connections are tight.