

netSELECT® Products

In-Wall AV Delivery

Flat Panel Television Connection Enclosure

HUBBELL

Features

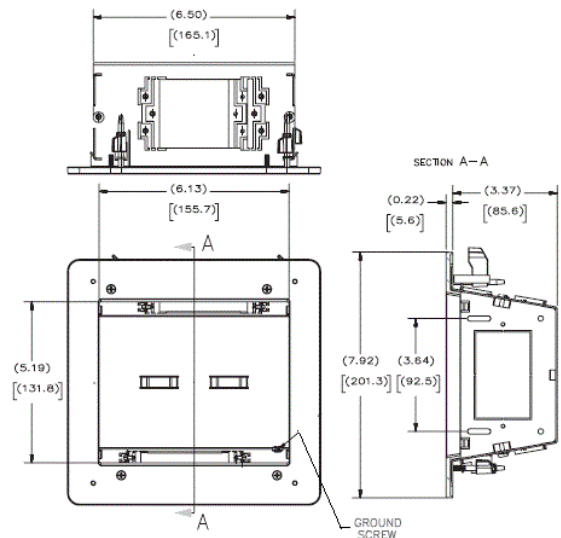
- Trim Ring Covers Rough-In
- Easily Mounts to Studs or Sheetrock
- Sheet Metal Base With White Powder Coat Finish

Ordering Information

Description	Color	UPC	Catalog Number
2-Gang In-Wall	White	883778504495	NSAV62M

Listings

cULus 1863 Listed



Online Resources

[Customer Use Drawing](#)

[eCatalog](#)

[Installation Instructions](#)

Dimensions in Inches (mm)

Hubbell Wiring Device-Kellems • Hubbell Incorporated (Delaware) • 40 Waterview Drive • Shelton, CT 06484

Phone (800) 288-6000 • Fax (800) 255-1031 • Specifications subject to change without notice.

