

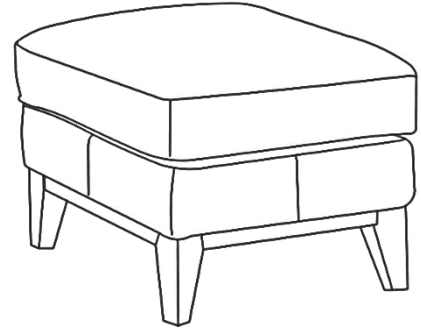
ASSEMBLY INSTRUCTIONS

MODEL : L1213-00 CASPAR OTTOMAN

Thank you for purchasing this quality product. Be sure to check all packing materials carefully for small parts, which may have come loose during shipment. Identify and count all items and compare with the parts list and/or hardware list shown below.

CAUTIONS :

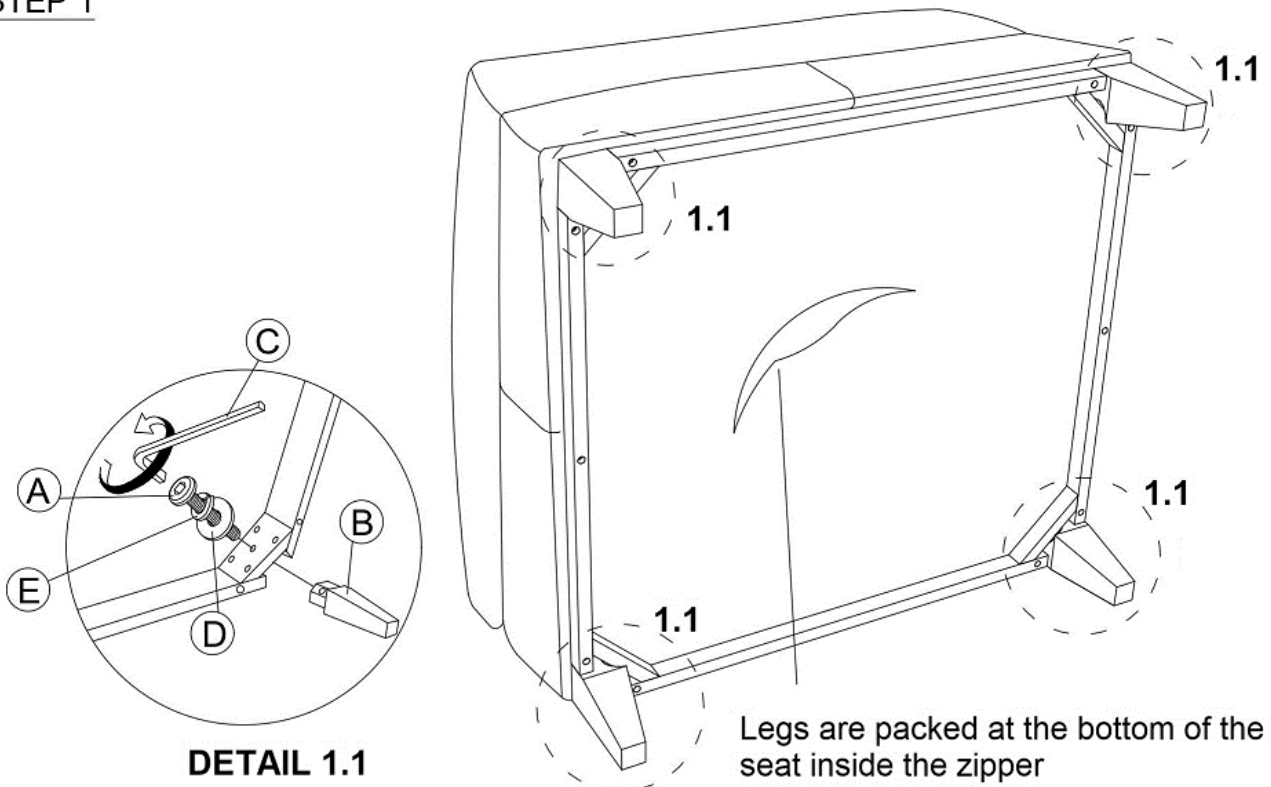
1. Check contents against hardware list.
2. Familiarize yourself with the components and hardware by reviewing the Assembly Instructions.
3. Do not over tighten the screws and bolts as it may damage the threads.
4. Keep all hardware parts out of reach of children.
5. Please always "LIFT UP & MOVE" the upholstery whenever you want to reposition it.



PARTS LIST			
NO	DESCRIPTION	SKETCH	QTY
A	OTTOMAN		1 PC
B	LEG		4 PCS

HARDWARE LIST			
NO	DESCRIPTION		QTY
A	M8 x 1.97" JCBB SCREW		4 PCS
B	ALLEN KEY M5		1 PC
C	FLAT WASHES		4 PCS
D	SPRING WASHER		4 PCS

STEP 1



Legs are packed at the bottom of the seat inside the zipper