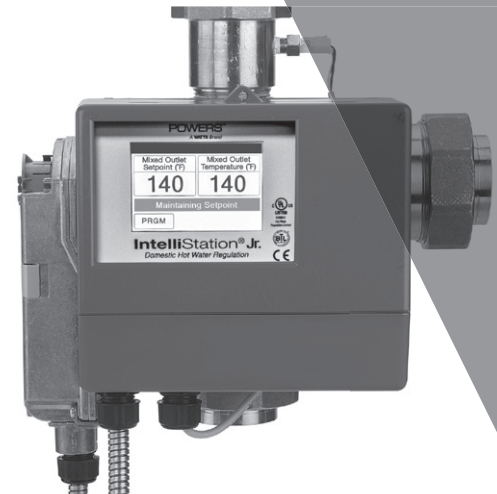
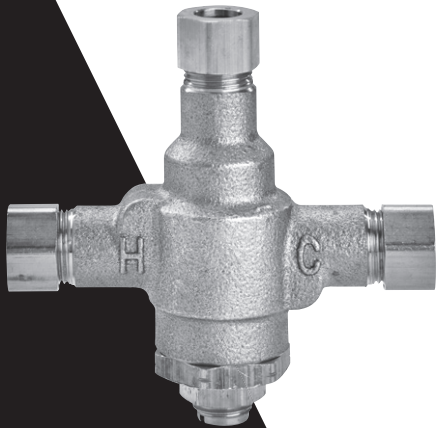
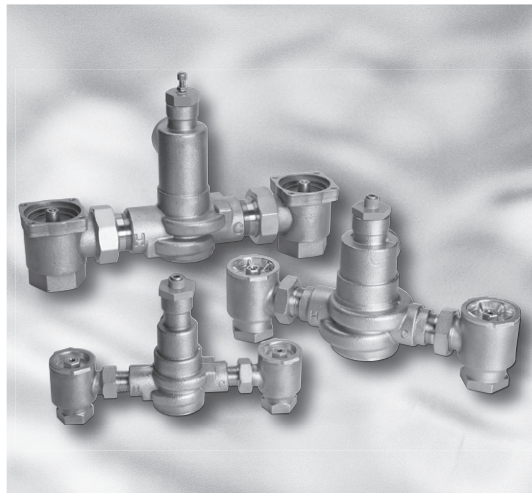


# Price List

Leader in Water Tempering Technology Since 1891



Effective January 19, 2026

All prices supersede previous issues, are temporary and subject to change without notice.

# Electronic is Green!

**For the latest Powers pricing information in electronic format, visit our Data Exchange at:**

[www.wattswater.com/dataexchange](http://www.wattswater.com/dataexchange)

- Download product and list price data in .pdf
- Easy access to list price data for business systems
- Sign up for e-mail alerts when data is updated
- Access other Watts Water Technologies brands pricing data

## A WATTS Brand

<b>Standard Terms and Conditions of Sale</b> .....	2-3	<b>Accessories</b>	
<b>Pressure Balancing Valves</b>		High Temperature Shutoff Device .....	33
Series 900 Biltmore® .....	4	Checkstops .....	33
Series PB410 HydroGuard® .....	6-7	Showerheads .....	33
<b>Combination T/P Bath, Shower and Lavatory Valves</b>		Institutional Showerheads .....	33
HydroGuard® T/P Series e700 .....	5	Arm/Flange Kits .....	34
HydroGuard® T/P Series e423 Valves .....	9	Hand Showers .....	34
HydroGuard® T/P Series e420 .....	8-9	Tub Spouts .....	35
HydroGuard® T/P Series e427/e428 .....	10	Diverter .....	35
<b>Thermostatic Lavatory Valves</b>		Vacuum Breakers .....	35
HydroGuard® Series LFG480/LFE480 .....	11	Volume Control Valves .....	35
HydroGuard® Series LFLM490/LFLM490-10 .....	11	Dial Thermometers .....	35
HydroGuard® Series LFLM495 .....	12	Metering Valve Shower .....	35
<b>Thermostatic Master Mixing Valves</b>		<b>Self Operating Regulators</b>	
HydroGuard® XP Series LFMM430 & Supply Fixtures .....	13-14	#11 Complete Regulators .....	36
HydroGuard® XP Series LFSH1430 & Supply Fixtures .....	15	#11 Lower Housing Assemblies .....	36
The Lead Free Tempering Re-circulation Loop .....	16	#11 Thermal Systems and Accessories .....	37
HydroGuard® XP Series LFMM430 & LFSH1430 HiLo Supply Fixtures .	17	<b>Flowrite® Valves and Accessories</b>	
HydroGuard® XP High Capacity Systems Series LFSH1430 .....	18	Heavy Duty Bronze Series Flowrite® Valves and Accessories ..	38-39
<b>IntelliStation® 2</b>		Heavy Duty Iron Series Flowrite® Valves and Accessories .....	40-41
Single & Multi-Valve Lead Free .....	19	Flowrite II Unmounted Valve Accessories .....	42
<b>IntelliStation® 2S</b>		<b>Accritem® Controllers and Accessories</b> .....	43
Single & Multi-Valve Lead Free .....	20-21	<b>Parts</b> .....	44-63
<b>POWERSTATION™</b>			
Single-Valve Lead Free .....	22		
Multi-Valve Lead Free .....	23		
<b>Emergency Tempering Valves,</b>			
<b>HydroGuard® ES/ETV Series</b> .....	24-25		
<b>Hydropanel II Modular Systems</b>			
With e700 Valves .....	26		
With 900, PB410 and e420 Valves .....	27-28		
<b>HydroGuard® ESP™</b>			
Showers .....	29		
Shower Systems (Hydropanel II ESP) .....	30		
<b>Alarm Systems</b>			
Lead Free Aqua Sentry® 2 Series LF460 .....	31		
<b>Thermostatic Specialty Valves</b>			
Fotoguard .....	32		
Fotopanel .....	32		

**Freight Terms:** All prices are FOB factory. Full freight is allowed on shipments of \$2,500 or more within the continental U.S.A. Such allowance is based on the lowest motor carrier transportation rate. Terms for export shipment will be provided on request.

**Terms of Sale:** All sales are F.O.B. shipping point.

**Payment Terms:** Invoices are due and payable 30 days from the date of invoice.

**Purchase Order Forms:** Orders submitted on the Purchaser's own purchase order forms will be accepted only with the express understanding that no statements, clauses or conditions contained in said order form will be binding on the Seller if they in any way modify the Seller's own terms and conditions of sales.

**Minimum Order Requirements:** Minimum order requirements are \$200 net.

**Special Products:** Orders for special or modified products are non-cancelable. In the event that the customer cancels an order for such products, Watts shall charge the customer an amount equal to Watts' costs and expenses incurred in performing the purchase order prior to receipt of notice of cancellation.

**Partial Shipment:** The Seller reserves the right to make partial shipments from time to time and render invoices therefor which shall be due and payable in accordance with stated payment terms.

**Delays:** The Seller shall not be liable for any loss, damage, or delay occasioned by any causes beyond the Seller's control, including, but not limited to governmental actions or orders, embargoes, strikes, differences with workmen, fires, floods, accidents, or transportation delays.

**Rejection of Shipments:** If the Purchaser is unable or unwilling to accept any shipment, the Purchaser shall be liable to the Seller, in addition to any other rights to which the Seller may be entitled, for freight, express, storage, extra cost of handling, and other expenses incurred thereby.

**Taxes:** The amount of any present or future sales, use, occupancy, excise, or other tax, federal, state or local, which the Seller now, or hereafter shall be legally obligated to pay, either on its own behalf or on behalf of the Purchaser or otherwise, with respect to the material covered by this order or contract, shall (unless the prices contained herein are stated expressly to include such tax) be added to such prices and paid by the Purchaser. Purchaser agrees to report and pay any tax direct on non-exempt transaction, in case Seller's invoices do not indicate a charge therefor.

**Limited Warranty:** The Seller warrants each HydroGuard T/P e700 series valve to be free from defects in material and workmanship under normal usage for a period of one year from the date of original shipment. The Seller further warrants the internal tempering mechanism to be free from defects in material and workmanship under normal usage for a period of five years from the date of original shipment. The Seller warrants all other equipment manufactured by it to be free from defects in material and workmanship under normal usage for a period of one year from the date of original shipment. In the event of such defects within the applicable warranty period, the Seller will, at its option, repair or replace the product without charge.

The remedy described in the paragraph above shall constitute the sole and exclusive remedy for breach of warranty, and the Seller shall not be responsible for any incidental, special or consequential damages, including without limitation, lost profits or the cost of repairing or replacing other property which is damaged if the product does not work properly, damages or other costs resulting from labor charges, delays, vandalism, negligence, fouling caused by foreign material, damage from adverse water conditions, chemicals, decomposition by galvanic action, or any other circumstances over which the Seller has no control. This warranty shall be invalidated by any abuse, misuse, misapplication or improper installation of this product.

**THE WARRANTY SET FORTH HEREIN IS GIVEN EXPRESSLY AND IS THE ONLY WARRANTY GIVEN BY THE SELLER WITH RESPECT TO THE PRODUCTS. THE SELLER MAKES NO OTHER WARRANTIES, EXPRESS OR IMPLIED. THE SELLER SPECIFICALLY DISCLAIMS ALL OTHER WARRANTIES, EXPRESS OR IMPLIED, INCLUDING BUT NOT LIMITED TO THE IMPLIED WARRANTIES OF MERCHANTABILITY AND FITNESS FOR A PARTICULAR PURPOSE.**

Some states do not allow limitations on how long an implied warranty lasts, and some states do not allow the exclusion or limitation of incidental or consequential damages. Therefore the above limitations may not apply to you. This Limited Warranty gives you specific legal rights, and you may have other rights that vary from state to state. You should consult applicable laws to determine your rights. **SO FAR AS IS CONSISTENT WITH APPLICABLE STATE LAW, ANY IMPLIED WARRANTIES THAT MAY NOT BE DISCLAIMED, INCLUDING THE IMPLIED WARRANTIES OF MERCHANTABILITY AND FITNESS FOR A PARTICULAR PURPOSE, ARE LIMITED IN DURATION TO ONE YEAR FROM THE DATE OF ORIGINAL SHIPMENT.**

**Purchaser's Remedies: IN NO EVENT SHALL THE SELLER BE LIABLE, IN CONTRACT, TORT, STRICT LIABILITY, OR UNDER ANY OTHER LEGAL THEORY, FOR INCIDENTAL, INDIRECT, SPECIAL OR CONSEQUENTIAL DAMAGES, REGARDLESS OF WHETHER IT WAS INFORMED OF THE POSSIBILITY OF SUCH DAMAGES, AND IN NO EVENT SHALL THE SELLER'S LIABILITY EXCEED AN AMOUNT EQUAL TO THE SALES PRICE OF THE PRODUCTS. THE FOREGOING LIMITATIONS SHALL APPLY TO THE FULLEST EXTENT PERMITTED BY LAW.**

**Shortage Claims:** Claims for shortage or incorrect filling of orders must be made within 15 days from the date of delivery.

**Return Goods Policy:** No material shall be returned without authorization. When credit is issued it will be at the price charged, or prevailing price if lower, less handling charges based on costs of reconditioning, boxing, etc. However, a minimum 25% handling charge will apply. A minimum handling charge of \$20.00 is applied whenever the 25% handling deduction does not total \$20.00. Products which are obsolete or made to special order are not returnable.

**Returned Material Procedure:** Customer Service will provide a Return Material Authorization (RMA) number, which must be written on all shipping label(s) of the returned material. Material received without an RMA number may be refused and returned to the sender at the sender's expense. When calling or faxing to request an RMA number, the following information will be necessary:

- Seller invoice number and/or sales order number
- Seller part number
- Seller product description
- Quantity of material to be returned
- Reason for return—be specific
- All returns must be shipped freight prepaid

All returned material is subject to inspection by the Seller and should be returned in original unopened shipping cartons or suitably packed to prevent damage in transit.

**Customer Support:**

For Customer Service: (888) 432-8932; Monday through Friday, 8:00 AM to 5:00 PM EST.

For Technical Support: (888) 432-8932; Monday through Friday, 8:00 AM to 5:00 PM CST.

**Note:** Prices and terms are subject to change without notice and supersede all previous quotations. The Seller reserves the right to change or modify product design or construction without prior notice and without incurring any obligation to make such changes and modifications on products previously or subsequently sold. Weights are not guaranteed but are shown only for the Purchaser's reference.

**Governing Law:** These terms and conditions shall be governed by, construed, and enforced in accordance with the laws of the Commonwealth of Massachusetts, without giving effect to its choice of law rules. All disputes under these terms and conditions shall be resolved exclusively by courts located in the Commonwealth of Massachusetts.








***Special order and non-standard material is non-cancelable and not returnable.***

***ALL MTO PRODUCTS ARE NON-RETURNABLE***

A WATTS Brand

All Series 900 Pressure Balancing Mixing Valves include integral check/service stops, adjustable handle rotation limit stop, reversible inlets for back-to-back installation, four-port connections, and reliable poppet/diaphragm cartridge construction.



	Description	Order Code	Weight	List Price
P902	 SS faceplate, metal lever handle. CP finish. 1/2" copper sweat connections  1/2" IPS connections	P902H	3.2	\$682.40
		P902G	3.2	\$695.90
P905	 ABS faceplate with color-coded graphics, lever handle. CP finish. 1/2" copper sweat connections  1/2" IPS connections	P905H	3.0	\$503.30
		P905G	3.0	\$512.30
P909	 ABS faceplate with color-coded graphics, acrylic handle. CP finish. 1/2" copper sweat connections 1/2" IPS connections	P909H	3.0	\$625.00
		P909G	3.0	\$640.70
P910	 ABS faceplate with color-coded graphics, metal lever handle. CP finish. 1/2" copper sweat connections  1/2" IPS connections	P910H	3.0	\$647.00
		P910G	3.0	\$667.00

**To order complete Series 900 systems:**

P

**Valves**

See above for selection of valve order code \_\_\_\_\_

	List Price	Weight (lbs)	Order Code
<b>Showerheads, Arm and flange</b>			
Economizer, Chrome-Plated ABS, Arm & Flange	\$110.80	0.8	J1
Standard Chrome-Plated Brass, Arm & Flange	\$158.30	1.2	K1
Deluxe, Chrome Plated Brass, Arm and Flange	\$214.10	1.6	M1
Low Flow Shower (1.5gpm), Arm & Flange	\$296.00	2.8	G1
Low Flow Shower (1.5gpm), Arm & Flange	\$248.60	0.53	H1
Arm & Flange Only (no showerhead)	\$67.70	0.3	O1
Economizer, Arm & Flange & Hi-Temp Shut-Off	\$259.20	1.1	J4
Standard Arm & Flange & Hi-Temp Shut-Off	\$306.80	1.5	K4
Deluxe Arm & Flange & Hi-Temp Shut-Off	\$362.90	1.9	M4
Low Flow Shower (1.6 gpm), Arm & Flange & Hi-Temp Shut-Off	\$444.80	3.1	G4
Low Flow Shower (1.5 gpm), Arm & Flange & Hi-Temp Shut-Off	\$397.40	1.1	H4
<b>Tub Spouts</b>			
Non-Diverter, Chrome Plated 1/2" IPS	\$97.70	0.4	R
Diverter, Chrome Plated 1/2" IPS	\$116.90	0.7	S
Diverter, Chrome Plated 1/2" Slip-Fit	\$127.80	1.0	U
<b>Hand Shower Systems</b>			
24" Chrome ADA Wall Grab Bar System	\$953.70	4.7	1
36" Chrome ADA Wall Grab Bar System	\$981.70	5.5	2
Standard, Hand Spray Push Button, CP Plastic, 2.50 gpm, Wall Mount, 3-Position, 2/Kit	\$442.70	2.0	5
Standard, Hand Spray Push Button, CP Plastic, 2.50 gpm, Metal Hose, 24" Glide Rail	\$578.30	2.6	8
Standard, Hand Spray Push Button, CP Plastic, 1.80 gpm WaterSense®, Metal Hose, 24" Glide Rail	\$578.30	2.6	8WS
Standard, Hand Spray Push Button, CP Plastic, 2.50 gpm, Metal Hose, 30" Glide Rail	\$779.00	3.1	N
Standard, Hand Spray Push Button, CP Plastic, 1.80 gpm WaterSense®, Metal Hose, 30" Glide Rail	\$779.00	3.1	NWS
Professional, Hand Spray Push Button, White Plastic, 2.50 gpm, Metal Hose, 18" Glide Rail	\$595.40	2.5	P
Professional, Hand Spray Push Button, White Plastic, 2.50 gpm, Metal Hose, 24" Glide Rail	\$595.40	2.5	7
Professional, Hand Spray Push Button, White Plastic, 1.80 gpm WaterSense®, Metal Hose, 24" Glide Rail	\$595.40	2.5	7WS
Deluxe, Hand Spray 5 Setting, CP Plastic, 2.50 gpm, Metal Hose, 24" Glide Rail	\$932.00	3.2	6
Deluxe, Hand Spray 5 Setting, CP Plastic, 1.80 gpm WaterSense®, Metal Hose, 24" Glide Rail	\$932.00	3.2	6WS
Deluxe, Hand Spray 5 Setting, CP Plastic, 2.50 gpm, Metal Hose, 30" Glide Rail	\$1,117.00	3.3	3
Deluxe, Hand Spray 5 Setting, CP Plastic, 1.80 gpm WaterSense®, Metal Hose, 30" Glide Rail	\$1,117.00	3.3	3WS
Low Flow (1.5 gpm), Hand Spray Pause, 4 Setting, CP Plastic, Metal Hose, 24" Glide Rail, WaterSense®	\$904.80	3.2	M
Low Flow (1.5 gpm), Hand Spray Pause, 4 Setting, CP Plastic, Metal Hose, 30" Glide Rail, WaterSense®	\$1,025.00	3.3	L
<b>Diverter</b>			
Concealed Diverting Valve, 1/2" IPS, Metal Handle	\$479.40	3.0	Y
Diverter, Concealed, Deluxe ABS Handle	\$511.50	3.0	A
Diverter, Concealed, Deluxe Metal Handle	\$526.60	3.0	B
Exposed Diverter, Shower Arm-Type, Chrome-Plated	\$153.80	0.5	Z
<b>Vacuum Breakers</b>			
Vacuum Breaker, Elevated, Chrome-Plated	\$673.20	2.0	V
Vacuum Breaker, In-Line	\$104.10	1.0	W

## A WATTS Brand

All e700 Series valves feature advanced thermal actuators, adjustable handle rotation limit stop, integral checkstops, metal or ABS trim and 1/2" sweat connections. The e700 Series meets American with Disabilities Act (ADA) requirements.

5-year Limited Warranty.



e705



e707



e710

### Valves

ABS Trim .....	\$802.00	3.5	e705
Metal Trim .....	\$857.40	3.5	e710
Euro Trim .....	\$928.10	3.5	e707

### Showerheads

Economizer, Chrome-Plated ABS, Adjustable .....	\$43.70	0.5	J
Standard, Chrome-Plated Brass .....	\$91.10	0.9	K
Deluxe, Chrome-Plated Brass .....	\$146.80	1.3	M
Low Flow (1.5 gpm), Chrome-Plated .....	\$228.90	2.5	G
Low Flow (1.5 gpm), Chrome-Plated .....	\$181.80	0.5	H

### Arm and Flange Kits

Standard Arm and Flange .....	\$67.70	0.3	1
Deluxe Arm and Flange .....	\$104.10	0.4	2
Standard Arm/Flange & Hi-Temp. Shut-Off .....	\$216.10	0.6	4
Deluxe Arm/Flange & Hi-Temp. Shut-Off .....	\$255.10	0.7	5

### Tub Spouts

Diverter, Chrome-Plated Brass, 3/4" IPS .....	\$218.30	1.2	Q
Non-Diverter, Chrome-Plated, 1/2" IPS .....	\$97.70	0.4	R
Diverter, Chrome-Plated, 1/2" IPS .....	\$116.90	0.7	S
Diverter, Chrome-Plated Brass, 1/2" IPS .....	\$201.10	1.3	T
Diverter, Chrome-Plated, 1/2" Slip-fit .....	\$127.80	1.0	U

### Hand Shower Systems

24" Chrome ADA Wall Grab Bar System	\$953.70	4.7	1
36" Chrome ADA Wall Grab Bar System	\$981.70	5.5	2
Standard, Hand Spray Push Button, CP Plastic, 2.50 gpm, Wall Mount, 3-Position, 2/Kit	\$442.70	2.0	5
Standard, Hand Spray Push Button, CP Plastic, 2.50 gpm, Metal Hose, 24" Glide Rail	\$578.30	2.6	8
Standard, Hand Spray Push Button, CP Plastic, 1.80 gpm WaterSense®, Metal Hose, 24" Glide Rail	\$578.30	2.6	8WS
Standard, Hand Spray Push Button, CP Plastic, 2.50 gpm, Metal Hose, 30" Glide Rail	\$779.00	3.1	N
Standard, Hand Spray Push Button, CP Plastic, 1.80 gpm WaterSense®, Metal Hose, 30" Glide Rail	\$779.00	3.1	NWS
Professional, Hand Spray Push Button, White Plastic, 2.50 gpm, Metal Hose, 18" Glide Rail	\$595.40	2.5	P
Professional, Hand Spray Push Button, White Plastic, 2.50 gpm, Metal Hose, 24" Glide Rail	\$567.20	2.5	7
Professional, Hand Spray Push Button, White Plastic, 1.80 gpm WaterSense®, Metal Hose, 24" Glide Rail	\$595.40	2.5	7WS
Deluxe, Hand Spray 5 Setting, CP Plastic, 2.50 gpm, Metal Hose, 24" Glide Rail	\$932.00	3.2	6
Deluxe, Hand Spray 5 Setting, CP Plastic, 1.80 gpm WaterSense®, Metal Hose, 24" Glide Rail	\$932.00	3.2	6WS
Deluxe, Hand Spray 5 Setting, CP Plastic, 2.50 gpm, Metal Hose, 30" Glide Rail	\$1,117.00	3.3	3
Deluxe, Hand Spray 5 Setting, CP Plastic, 1.80 gpm WaterSense®, Metal Hose, 30" Glide Rail	\$1,117.00	3.3	3WS
Low Flow (1.5 gpm), Hand Spray Pause, 4 Setting, CP Plastic, Metal Hose, 24" Glide Rail, WaterSense®	\$904.80	3.2	M
Low Flow (1.5 gpm), Hand Spray Pause, 4 Setting, CP Plastic, Metal Hose, 30" Glide Rail, WaterSense®	\$1,025.00	3.3	L

### Diverter

Concealed Diverter Valve, 1/2" IPS, Metal Handle .....	\$479.40	3.0	Y
Diverter, Concealed, Deluxe ABS Handle .....	\$511.50	3.0	A
Diverter, Concealed, Deluxe Metal Handle .....	\$526.60	3.0	B
Exposed Diverter, Shower Arm-Type, Chrome-Plated .....	\$153.80	0.5	Z

### Vacuum Breakers

Vacuum Breaker, Elevated, Chrome-Plated .....	\$673.20	2.0	V
Vacuum Breaker, In-Line .....	\$104.10	1.0	W



List Price	Weight (lbs)	Order Code							
\$802.00	3.5	e705							
\$857.40	3.5	e710							
\$928.10	3.5	e707							
\$43.70	0.5	J							
\$91.10	0.9	K							
\$146.80	1.3	M							
\$228.90	2.5	G							
\$181.80	0.5	H							
\$67.70	0.3	1							
\$104.10	0.4	2							
\$216.10	0.6	4							
\$255.10	0.7	5							
\$218.30	1.2	Q							
\$97.70	0.4	R							
\$116.90	0.7	S							
\$201.10	1.3	T							
\$127.80	1.0	U							
\$953.70	4.7	1							
\$981.70	5.5	2							
\$442.70	2.0	5							
\$578.30	2.6	8							
\$578.30	2.6	8WS							
\$779.00	3.1	N							
\$779.00	3.1	NWS							
\$595.40	2.5	P							
\$567.20	2.5	7							
\$595.40	2.5	7WS							
\$932.00	3.2	6							
\$932.00	3.2	6WS							
\$1,117.00	3.3	3							
\$1,117.00	3.3	3WS							
\$904.80	3.2	M							
\$1,025.00	3.3	L							
\$479.40	3.0	Y							
\$511.50	3.0	A							
\$526.60	3.0	B							
\$153.80	0.5	Z							
\$673.20	2.0	V							
\$104.10	1.0	W							

	Order Code	Weight	List Price
<b>Biltmore™ Series 900 Accessories/Parts</b>			
Thin Wall Installation .....	900 119	0.3	\$65.30
Remodeling Plate, Stainless Steel, Polished Chrome .....	900121D	1.0	\$128.30
Vandal-Resistant Screw Kit* .....	900 034	0.11	\$60.30

\*Parts discount applies

### Series PB410 HydroGuard® Pressure Balancing Valves

The series PB410 HydroGuard® features heavy, cast brass construction, a poppet type equalizing valve which offers a distinct advantage: it will not stick because of lime build-up or foreign particles in the supplies. The adjustable metal-to-metal temperature limit stop prevents accidental scalding caused by our adjustment of the handle. It also features integral checkstops, back to back and shallow installation. PB410 series is listed to ASSE 1016-P and certified to CSA B125 standard.



**Model PB413000000**

	Order Code	Weight	List Price
3 Port .....	<b>PB413</b>	4.0	\$1,300.00
4 Port .....	<b>PB417</b>	4.6	\$1,300.00

	Order Code	Weight	List Price
--	------------	--------	------------

### Series PB410 Accessories/Parts

Thin Wall Installation Accessory .....	<b>800 100</b>	0.3	\$65.30
Stem Extension Accessory* .....	<b>410 233</b>	0.3	\$64.40
Vandal-Resistant Screw Kit* .....	<b>420 267</b>	0.3	\$22.70
Remodeling Plate, Stainless Steel. Polished Chrome .....	<b>900121D</b>	1.0	\$120.40

*\*Parts discount applies*



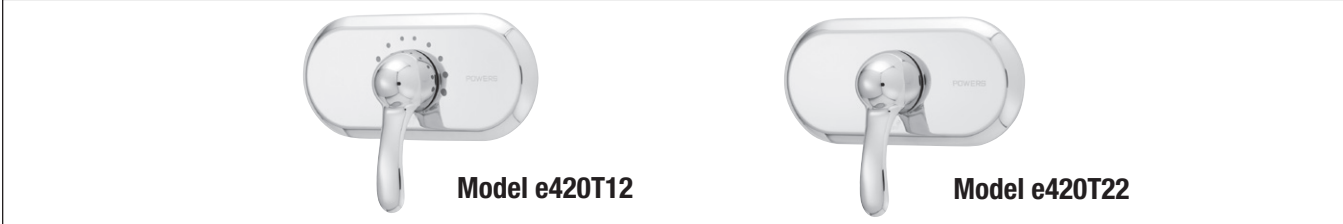
**To order complete Series PB410 systems...**

	List Price	Weight (lbs)	Order Code
<b>Port</b>			
3 Port	\$1,300.00	4.0	PB413
4 Port	\$1,300.00	4.6	PB417
<b>Showerheads</b>			
Economizer, Chrome-Plated ABS, Adjustable	\$43.70	0.5	J
Standard, Chrome-Plated Brass	\$91.10	0.9	K
Deluxe, Chrome-Plated Brass	\$146.80	1.3	M
Low Flow (1.5 gpm) (Chrome-Plated)	\$228.90	2.5	G
Low Flow (1.5 gpm) (Chrome-Plated)	\$181.80	0.5	H
<b>Arm and Flange Kits</b>			
Standard Arm and Flange	\$67.70	0.3	1
Deluxe Arm and Flange	\$104.10	0.4	2
Standard Arm/Flange & High Temp. Shut-Off	\$216.10	0.6	4
Deluxe Arm/Flange & High Temp. Shut-Off	\$255.10	0.7	5
<b>Tub Spouts</b>			
Diverter, Chrome-Plated Brass, 3/4" IPS	\$218.30	1.2	Q
Non-Diverter, Chrome-Plated, 1/2" IPS	\$97.70	0.4	R
Diverter, Chrome-Plated, 1/2" IPS	\$116.90	0.7	S
Diverter, Chrome-Plated Brass, 1/2" IPS	\$201.10	1.3	T
Diverter, Chrome-Plated, 1/2" Slip-fit	\$127.80	1.0	U
<b>Hand Shower Systems</b>			
24" Chrome ADA Wall Grab Bar System	\$953.70	4.7	1
36" Chrome ADA Wall Grab Bar System	\$981.70	5.5	2
Standard, Hand Spray Push Button, CP Plastic, 2.50 gpm, Wall Mount, 3-Position, 2/Kit	\$442.70	2.0	5
Standard, Hand Spray Push Button, CP Plastic, 2.50 gpm, Metal Hose, 24" Glide Rail	\$578.30	2.6	8
Standard, Hand Spray Push Button, CP Plastic, 1.80 gpm WaterSense®, Metal Hose, 24" Glide Rail	\$578.30	2.6	8WS
Standard, Hand Spray Push Button, CP Plastic, 2.50 gpm, Metal Hose, 30" Glide Rail	\$779.00	3.1	N
Standard, Hand Spray Push Button, CP Plastic, 1.80 gpm WaterSense®, Metal Hose, 30" Glide Rail	\$779.00	3.1	NWS
Professional, Hand Spray Push Button, White Plastic, 2.50 gpm, Metal Hose, 18" Glide Rail	\$595.40	2.5	P
Professional, Hand Spray Push Button, White Plastic, 2.50 gpm, Metal Hose, 24" Glide Rail	\$595.40	2.5	7
Professional, Hand Spray Push Button, White Plastic, 1.80 gpm WaterSense®, Metal Hose, 24" Glide Rail	\$595.40	2.5	7WS
Deluxe, Hand Spray 5 Setting, CP Plastic, 2.50 gpm, Metal Hose, 24" Glide Rail	\$932.00	3.2	6
Deluxe, Hand Spray 5 Setting, CP Plastic, 1.80 gpm WaterSense®, Metal Hose, 24" Glide Rail	\$932.00	3.2	6WS
Deluxe, Hand Spray 5 Setting, CP Plastic, 2.50 gpm, Metal Hose, 30" Glide Rail	\$1,117.00	3.3	3
Deluxe, Hand Spray 5 Setting, CP Plastic, 1.80 gpm WaterSense®, Metal Hose, 30" Glide Rail	\$1,117.00	3.3	3WS
Low Flow (1.5 gpm), Hand Spray Pause, 4 Setting, CP Plastic, Metal Hose, 24" Glide Rail, WaterSense®	\$904.80	3.2	M
Low Flow (1.5 gpm), Hand Spray Pause, 4 Setting, CP Plastic, Metal Hose, 30" Glide Rail, WaterSense®	\$1,025.00	3.3	L
<b>Diverters</b>			
Concealed Diverting Valve, 1/2" IPS, Metal Handle	\$479.40	3.0	Y
Diverter, Concealed, Deluxe ABS Handle	\$511.50	3.0	A
Diverter, Concealed, Deluxe Metal Handle	\$526.60	3.0	B
Exposed Diverter, Shower Arm-Type, Chrome-Plated	\$153.80	0.5	Z
<b>Vacuum Breakers</b>			
Vacuum Breaker, Elevated, Chrome-Plated	\$673.20	2.0	V
Vacuum Breaker, in-Line	\$104.10	1.0	W

A WATTS Brand

### HydroGuard® T/P Series e420 Valves

All HydroGuard T/P® shower valves feature advanced thermal actuator compensate for both temperature and pressure fluctuations. A built-in adjustable metal-to-metal temperature limit stop reduces chance of accidental scalding due to the over adjustment of handle. Heavy cast brass body, integral checkstop, durable brass faceplate, lever-type handles, and corrosion-resistant material provide years of trouble-free service. ASSE 1016 T/P listed and CSA B125 certified.



4 Ports concealed valves, 1/2" NPT inlets/outlets	Order Code	Weight	List Price
Color coded trim plate, Dome handle . . . . .	<b>e420T12</b>	5.5	\$1,729.00
Etched trim plate, Dome handle . . . . .	<b>e420T22</b>	5.5	\$1,729.00

4 Ports concealed valves, 1/2" Sweat inlets/outlets	Order Code	Weight	List Price
Color coded trim plate, Dome handle . . . . .	<b>e420S12</b>	5.5	\$1,729.00
Etched trim plate, Dome handle . . . . .	<b>e420S22</b>	5.5	\$1,729.00

### Series e423 Thermostatic Valve

#### HydroGuard Series e423 Valves

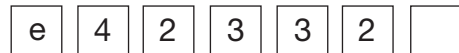
Exposed thermostatic water mixing valve features advance thermal actuator, adjustable limit stop, polished chrome-plated lever handle and mounting bracket. ASSE 1016, CSA



Model e423320



Valve	List Price	Weight	Order Code
e42332 . . . . .	\$1,932.00	5.3	<b>e423</b>
<b>Checkstops (Sold in Pairs)</b>			
Straight, 1/2" IPS, Polished Chrome . . . . .	\$554.80	1.0	<b>B</b>
Angled with Strainer, 1/2" IPS, Polished Chrome . . . . .	\$792.00	2.4	<b>F</b>
Factory installation of checkstops (add suffix "X" to checkstop code) Min. order 10 . . . . .	\$792.00	---	<b>X</b>



A WATTS Brand

	List Price	Weight (lbs)	Order Code	e420
<b>Connections</b>				
1/2" NPT Inlets/Outlets .....	\$1,729.00	5.0	T	
1/2" Sweat Inlets/Outlets.....	\$1,729.00	5.0	S	
<b>Trim Plate</b>				
Color Coded.....	N/C	—	1	
Etched.....	N/C	—	2	
<b>Handle</b>				
Dome .....	N/C	—	2	
<b>Showerheads</b>				
Economizer, Chrome-Plated ABS, Adjustable.....	\$43.70	0.5	J	
Standard, Chrome-Plated Brass.....	\$91.10	0.9	K	
Deluxe, Chrome-Plated Brass .....	\$146.80	1.3	M	
Low Flow (1.5 gpm), Chrome-Plated .....	\$228.90	2.5	G	
Low Flow (1.5 gpm), Chrome-Plated .....	\$181.80	0.5	H	
<b>Arm &amp; Flange Kits</b>				
Standard Arm & Flange.....	\$67.70	0.3	1	
Deluxe Arm & Flange .....	\$104.10	0.4	2	
Standard Arm/Flange & High Temp. Shut-Off .....	\$216.10	0.6	4	
Deluxe Arm/Flange & High Temp. Shut-Off .....	\$255.10	0.7	5	
<b>Tub Spouts</b>				
Diverter, Chrome-Plated Brass, 3/4" IPS.....	\$218.30	1.2	Q	
Non-Diverter, Chrome-Plated, 1/2" IPS.....	\$97.70	0.4	R	
Diverter, Chrome-Plated, 1/2" IPS.....	\$116.90	0.7	S	
Diverter, Chrome-Plated Brass, 1/2" IPS.....	\$201.10	1.3	T	
Diverter, Chrome-Plated, 1/2" Slip-fit .....	\$127.80	1.0	U	
<b>Hand Shower Systems</b>				
24" Chrome ADA Wall Grab Bar System .....	\$953.70	4.7	1	
36" Chrome ADA Wall Grab Bar System .....	\$981.70	5.5	2	
Standard, Hand Spray Push Button, CP Plastic, 2.50 gpm, Wall Mount, 3-Position, 2/Kit .....	\$442.70	2.0	5	
Standard, Hand Spray Push Button, CP Plastic, 2.50 gpm, Metal Hose, 24" Glide Rail .....	\$578.30	2.6	8	
Standard, Hand Spray Push Button, CP Plastic, 1.80 gpm WaterSense®, Metal Hose, 24" Glide Rail .....	\$578.30	2.6	8WS	
Standard, Hand Spray Push Button, CP Plastic, 2.50 gpm, Metal Hose, 30" Glide Rail .....	\$779.00	3.1	N	
Standard, Hand Spray Push Button, CP Plastic, 1.80 gpm WaterSense®, Metal Hose, 30" Glide Rail .....	\$779.00	3.1	NWS	
Professional, Hand Spray Push Button, White Plastic, 2.50 gpm, Metal Hose, 18" Glide Rail .....	\$595.40	2.5	P	
Professional, Hand Spray Push Button, White Plastic, 2.50 gpm, Metal Hose, 24" Glide Rail .....	\$595.40	2.5	7	
Professional, Hand Spray Push Button, White Plastic, 1.80 gpm WaterSense®, Metal Hose, 24" Glide Rail .....	\$595.40	2.5	7WS	
Deluxe, Hand Spray 5 Setting, CP Plastic, 2.50 gpm, Metal Hose, 24" Glide Rail .....	\$932.00	3.2	6	
Deluxe, Hand Spray 5 Setting, CP Plastic, 1.80 gpm WaterSense®, Metal Hose, 24" Glide Rail .....	\$932.00	3.2	6WS	
Deluxe, Hand Spray 5 Setting, CP Plastic, 2.50 gpm, Metal Hose, 30" Glide Rail .....	\$1,117.00	3.3	3	
Deluxe, Hand Spray 5 Setting, CP Plastic, 1.80 gpm WaterSense®, Metal Hose, 30" Glide Rail .....	\$1,117.00	3.3	3WS	
Low Flow (1.5 gpm), Hand Spray Pause, 4 Setting, CP Plastic, Metal Hose, 24" Glide Rail, WaterSense® .....	\$904.80	3.2	M	
Low Flow (1.5 gpm), Hand Spray Pause, 4 Setting, CP Plastic, Metal Hose, 30" Glide Rail, WaterSense® .....	\$1,025.00	3.3	L	
<b>Diverter</b>				
Concealed Diverter Valve, 1/2" IPS, Metal Handle.....	\$479.40	3.0	Y	
Diverter, Concealed, Deluxe ABS Handle .....	\$511.50	3.0	A	
Diverter, Concealed, Deluxe Metal Handle .....	\$526.60	3.0	B	
Exposed Diverter, Shower Arm-Type, Chrome-Plated.....	\$153.80	0.5	Z	
<b>Vacuum Breakers</b>				
Vacuum Breaker, Elevated, Chrome-Plated .....	\$673.20	2.0	V	
Vacuum Breaker, In-Line .....	\$104.10	1.0	W	

A WATTS Brand

e427/e428 HydroGuard® Shower valves features advanced thermal actuator, adjustable handle rotation limit stop, stainless steel dial plate with concealed mounting screws, and color coded temperature graphics. ASSE 1016 listed CSA certified.



Model e427

Model e428



Valves	List Price	Weight (lbs)	Order Code
<b>Concealed</b>	\$2,215.00	5.8	<b>e427*</b>
<b>Exposed</b> Chrome-Plated . . . . .	\$2,215.00	5.7	<b>e428*</b>
<b>Checkstops (Sold in Pairs)</b>			
<b>Concealed</b> Straight, 1/2" IPS . . . . .	\$188.30	1.1	<b>A</b>
Straight, 1/2" Sweat . . . . .	\$188.30	1.1	<b>C</b>
Angled, 1/2" Sweat . . . . .	NLA	1.3	<b>D</b>
Angled, with Strainer, 1/2" IPS . . . . .	\$507.40	2.5	<b>E</b>
<b>Exposed</b> Straight, 1/2" IPS, Chrome-Plated . . . . .	NLA	1.0	<b>B</b>
Angled, with Strainer, 1/2" IPS, . . . . .	\$792.00		
Chrome-Plated . . . . .	\$116.90	2.4	<b>F</b>
Factory installation of checkstops (Add suffix "X" to checkstop code) Min. order 10 . . . . .	\$110.30	—	<b>X</b>
<b>Showerheads</b>			
Economizer, Chrome-Plated ABS, Adjustable . . . . .	\$43.70	0.5	<b>J</b>
Standard, Chrome-Plated Brass . . . . .	\$91.10	0.9	<b>K</b>
Deluxe, Chrome-Plated Brass . . . . .	\$146.80	1.3	<b>M</b>
Low Flow (1.5 gpm), Chrome-Plated . . . . .	\$228.90	2.5	<b>G</b>
Low Flow (1.5 gpm), Chrome-Plated . . . . .	\$181.80	0.5	<b>H</b>
<b>Arm and Flange Kits</b>			
Standard Arm and Flange . . . . .	\$67.70	0.3	<b>1</b>
Deluxe Arm and Flange . . . . .	\$104.10	0.4	<b>2</b>
Standard Arm/Flange & High Temp. Shut-Off . . . . .	\$216.10	0.6	<b>4</b>
Deluxe Arm/Flange & High Temp. Shut-Off . . . . .	\$255.10	0.7	<b>5</b>
<b>Tub Spouts</b>			
Diverter, Chrome-Plated Brass, 3/4" IPS . . . . .	\$218.30	1.2	<b>Q</b>
Non-Diverter, Chrome-Plated, 1/2" IPS . . . . .	\$97.70	0.4	<b>R</b>
Diverter, Chrome-Plated, 1/2" IPS . . . . .	\$116.90	0.7	<b>S</b>
Diverter, Chrome-Plated Brass, 1/2" IPS . . . . .	\$201.10	1.3	<b>T</b>
Diverter, Chrome-Plated, 1/2" Slip-fit . . . . .	\$127.80	1.0	<b>U</b>
<b>Hand Shower Systems</b>			
24" Chrome ADA Wall Grab Bar System . . . . .	\$953.70	4.7	<b>1</b>
36" Chrome ADA Wall Grab Bar System . . . . .	\$981.70	5.5	<b>2</b>
Standard, Hand Spray Push Button, CP Plastic, 2.50 gpm, Wall Mount, 3-Position, 2/Kit . . . . .	\$442.70	2.0	<b>5</b>
Standard, Hand Spray Push Button, CP Plastic, 2.50 gpm, Metal Hose, 24" Glide Rail . . . . .	\$578.30	2.6	<b>8</b>
Standard, Hand Spray Push Button, CP Plastic, 1.80 gpm WaterSense®, Metal Hose, 24" Glide Rail . . . . .	\$578.30	2.6	<b>8WS</b>
Standard, Hand Spray Push Button, CP Plastic, 2.50 gpm, Metal Hose, 30" Glide Rail . . . . .	\$779.00	3.1	<b>N</b>
Standard, Hand Spray Push Button, CP Plastic, 1.80 gpm WaterSense®, Metal Hose, 30" Glide Rail . . . . .	\$779.00	3.1	<b>NWS</b>
Professional, Hand Spray Push Button, White Plastic, 2.50 gpm, Metal Hose, 18" Glide Rail . . . . .	\$595.40	2.5	<b>P</b>
Professional, Hand Spray Push Button, White Plastic, 2.50 gpm, Metal Hose, 24" Glide Rail . . . . .	\$567.20	2.5	<b>7</b>
Professional, Hand Spray Push Button, White Plastic, 1.80 gpm WaterSense®, Metal Hose, 24" Glide Rail . . . . .	\$595.40	2.5	<b>7WS</b>
Deluxe, Hand Spray 5 Setting, CP Plastic, 2.50 gpm, Metal Hose, 24" Glide Rail . . . . .	\$932.00	3.2	<b>6</b>
Deluxe, Hand Spray 5 Setting, CP Plastic, 1.80 gpm WaterSense®, Metal Hose, 24" Glide Rail . . . . .	\$932.00	3.2	<b>6WS</b>
Deluxe, Hand Spray 5 Setting, CP Plastic, 2.50 gpm, Metal Hose, 30" Glide Rail . . . . .	\$1,117.00	3.3	<b>3</b>
Deluxe, Hand Spray 5 Setting, CP Plastic, 1.80 gpm WaterSense®, Metal Hose, 30" Glide Rail . . . . .	\$1,117.00	3.3	<b>3WS</b>
Low Flow (1.5 gpm), Hand Spray Pause, 4 Setting, CP Plastic, Metal Hose, 24" Glide Rail, WaterSense® . . . . .	\$904.80	3.2	<b>M</b>
Low Flow (1.5 gpm), Hand Spray Pause, 4 Setting, CP Plastic, Metal Hose, 30" Glide Rail, WaterSense® . . . . .	\$1,025.00	3.3	<b>L</b>
<b>Diverter</b>			
Concealed Diverting Valve, 1/2" IPS, Metal Handle . . . . .	\$479.40	3.0	<b>Y</b>
Diverter, Concealed, Deluxe ABS Handle . . . . .	\$511.50	3.0	<b>A</b>
Diverter, Concealed, Deluxe Metal Handle . . . . .	\$526.60	3.0	<b>B</b>
Exposed Diverter, Shower Arm-Type, Chrome-Plated . . . . .	\$153.80	0.5	<b>Z</b>
<b>Vacuum Breakers</b>			
Vacuum Breaker, Elevated, Chrome-Plated . . . . .	\$673.20	2.0	<b>V</b>
Vacuum Breaker, In-Line . . . . .	\$104.10	1.0	<b>W</b>

\*For Shower or Bath only application. Not suitable for Combination Bath & Shower application

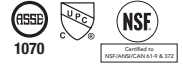
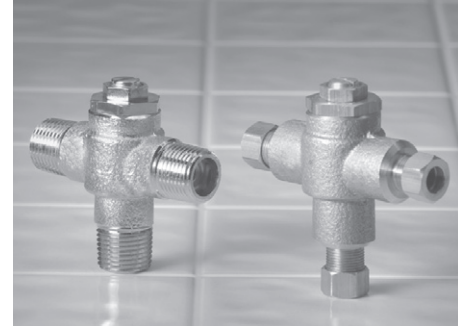
A WATTS Brand

## LEAD FREE\*

### HydroGuard® Series LFG480/LFE480 Lavatory Thermostatic Mixing Valves

Under the counter thermostatic mixer for lavatory applications.

ASSE 1070, cUPC, and NSF 61-9 & 372 listed. Integral checks. Solid brass construction. Adjustable temperature with locking feature.



Description	Order Code	Weight	List Price
1/2" NPT inlets and outlet, Minimum Flow 0.25gpm . . . . .	LFG480-00Q	1.00	\$558.40
1/2" NPT inlets and outlet, Minimum Flow 0.25gpm, Chrome Plated . . . . .	LFG480-01Q	1.00	\$652.50
3/8" Compression inlets & outlet, Minimum Flow 0.25gpm . . . . .	LFG480-10Q	1.00	\$558.40
3/8" Compression inlets & outlet, Minimum Flow 0.25gpm, Chrome Plated . . . . .	LFG480-11Q	1.00	\$652.50
3/8" Quick Connect, Minimum Flow 0.25gpm . . . . .	LFG480-50	1.10	NLA
3/8" Quick Connect, Minimum Flow 0.25gpm, Chrome plated . . . . .	LFG480-51	1.10	NLA
1/2" NPT inlets and outlet, Minimum Flow 0.5gpm . . . . .	LFE480-00Q	1.00	\$558.40
1/2" NPT inlets & outlet, Chrome Plated, Minimum Flow 0.5gpm . . . . .	LFE480-01Q	1.00	\$652.50
3/8" Compression inlets & outlet, Minimum Flow 0.5gpm . . . . .	LFE480-10Q	1.00	\$558.40
3/8" Compression inlets & outlet, Chrome Plated, Minimum Flow 0.5gpm . . . . .	LFE480-11Q	1.00	\$652.50
3/8" Quick Connect, Minimum Flow 0.5gpm . . . . .	LFe480-50	1.08	NLA
3/8" Quick Connect, Chrome Plated, Minimum Flow 0.5gpm . . . . .	LFe480-51	1.06	NLA

## LEAD FREE\*

### HydroGuard® Series LFLM490

#### HydroGuard® Series LFLM490 Thermostatic Mixing Valves for Hot Water Heaters

All HydroGuard Series LFLM490 Valves feature advanced thermal actuator, adjustable lock-in handle design, solid brass construction and integral check valves and screens. ASSE 1017 Certified, IAPMO cUPC Certified and approved to CSA B125.3, NSF/ANSI/CAN 61 & NSF/ANSI/CAN 372 Certified.



Temperature Range 90° - 160°F (32° - 71°C) **Model LFLM49**

Temperature Range 60° - 120°F (16° - 49°C) **Model LFLM49** -10

Valve	List Price	Weight	Order Code
1/2" . . . . .	\$580.00	1.8	0
3/4" . . . . .	\$733.20	2.3	1
1" . . . . .	\$878.60	2.9	2
<small>\$538.00</small>			
<b>Inlets/Outlets</b>			
Union NPT Female . . . . .	N/C	—	1
Union Sweat . . . . .	N/C	—	2
Union CPVC . . . . .	N/C	—	3
Union PEX . . . . .	N/C	—	4
**Union PEX F1960 (CEF) . . . . .	N/C	—	6
<b>Quick-Connect . . . . .</b>			
1/2" . . . . .	\$106.20	—	5
3/4" . . . . .	\$153.70	—	5
1" . . . . .	\$179.00	—	5
<b>With Press</b>			
1/2" . . . . .	\$127.80	—	1-w/Press
3/4" . . . . .	\$151.60	—	1-w/Press
1" . . . . .	\$245.60	—	1-w/Press

\*\*For sizes 1/2" and 3/4" standard temperature range only

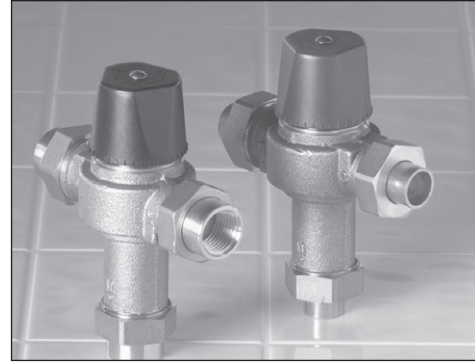
\*The wetted surface of this product contacted by consumable water contains less than 0.25% of lead by weight.

A WATTS Brand

**LEAD FREE\***

## HydroGuard® Series LFLM495 Thermostatic Mixing Valves for Individual Lavatory Installations

All HydroGuard® Series LFLM495 valves feature advanced thermal actuator, adjustable lock-in handle design, solid brass construction and integral check valves and screens. ASSE 1017, ASSE 1069, ASSE 1070 Certified, IAPMO cUPC Certified and Approved to CSA B125.3 and CSA B125.70, NSF/ANSI/CAN 61 & NSF/ANSI/CAN 372 Certified.



### Model LFLM49 -

**Temperature Range 80° - 120° F  
(27° - 49° C)**

Valve	List Price	Weight	Order Code
1/2".....	\$613.40	1.8	5
3/4".....	\$774.30	2.3	6
1".....	\$911.70	2.9	7
<b>Inlets/Outlets</b>			
Union NPT Female.....	N/C	—	1
Union Sweat.....	N/C	—	2
Union CPVC.....	N/C	—	3
Union PEX.....	N/C	—	4
**Union PEX F1960 (CEF).....	N/C	—	6
<b>Quick-Connect.....</b>			
1/2".....	\$108.50	—	5
3/4".....	\$153.50	—	5
1".....	\$183.10	—	5
<b>With Press</b>			
1/2".....	\$125.90	—	1-w/Press
3/4".....	\$153.50	—	1-w/Press
1".....	\$243.80	—	1-w/Press

\*\*For sizes 1/2" and 3/4" only

### Hot Water Tank Capacity Extender

The hot water tank capacity extender increases hot water capacity as much as 133% depending on storage and cold water temperature flow.

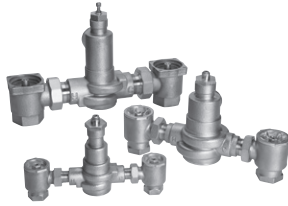
	List Price	Weight	Ordering Code
3/4" Inlets & Outlet.....	\$905.80	3.0	LFLM496-HTK



\*The wetted surface of this product contacted by consumable water contains less than 0.25% of lead by weight.

A WATTS Brand

**LEAD FREE\***



The HydroGuard® XP series LFMM430 is a temperature actuated mixing valve designed for use in hot water distribution system, in compliance with ASSE 1017 standard. Valve features advance paraffin actuation technology, dirt and lime resistant poppet and seat design and vandal resistant locking mechanism. Valve are available in two temperature ranges.

Valve	Rough Bronze		Chrome Plated	
	Standard (90-160°F)	Low (60-90°F)	Standard (90-160°F)	Low (60-90°F)
<b>LFMM431</b> 3/4 x 3/4	<b>LFMM431-10</b> \$3,206.00	<b>LFMM431-30</b> \$3,206.00	<b>LFMM431-20</b> \$4,597.00	<b>LFMM431-40</b> \$4,597.00
<b>LFMM432</b> 3/4 x 1	<b>LFMM432-10</b> \$3,830.00	<b>LFMM432-30</b> \$3,830.00	<b>LFMM432-20</b> \$5,053.00	<b>LFMM432-40</b> \$5,053.00
<b>LFMM433</b> 1 1/4 x 1 1/4	<b>LFMM433-10</b> \$4,499.00	<b>LFMM433-30</b> \$4,499.00	<b>LFMM433-20</b> \$6,480.00	<b>LFMM433-40</b> \$6,480.00
<b>LFMM434</b> 1 1/4 x 1 1/2	<b>LFMM434-10</b> \$5,679.00	<b>LFMM434-30</b> \$5,679.00	<b>LFMM434-20</b> \$6,577.00	<b>LFMM434-40</b> \$6,577.00
<b>LFMM435</b> 2 x 2	<b>LFMM435-10</b> \$7,901.00	<b>LFMM435-30</b> \$7,901.00	<b>LFMM435-20</b> \$9,054.00	<b>LFMM435-40</b> \$9,054.00

## HydroGuard® XP Series LFMM430 Supply Fixtures

How to specify and order a supply fixture:

- Valves** (capacity at 45 psi)
- 23 gpm (87 lpm) .....
  - 42 gpm (159 lpm) .....
  - 64 gpm (242 lpm) .....
  - 110 gpm (416 lpm) .....
  - 144 gpm (545 lpm) .....
  - 208 gpm (787 lpm) .....

**Valve and Pipe Finish**

- Rough Bronze .....
- Chrome Plated .....

**Piping Inlets/Outlets**

- Top/Top .....
- Bottom/Top .....
- Bottom/Bottom .....
- Bottom/Side .....

**Cabinet Style**

- Exposed, no cabinet .....
- Stainless Steel, Recessed .....
- Stainless Steel, Semi-Recessed .....
- Stainless Steel, Wall Mounted .....
- Painted, Recessed .....
- Painted, Semi-Recessed .....
- Painted, Wall Mounted .....

**Temperature Range**

- Standard—90°F to 160°F (32°C to 71°C) .....
- Low\*\*—60°F to 90°F (16°C to 32°C) .....

**Options**

- None .....
- Cold Water Bypass .....
- Combination T/P Gauge on inlets .....
- Cold Water Bypass & Combination T/P Gauge on inlets .....

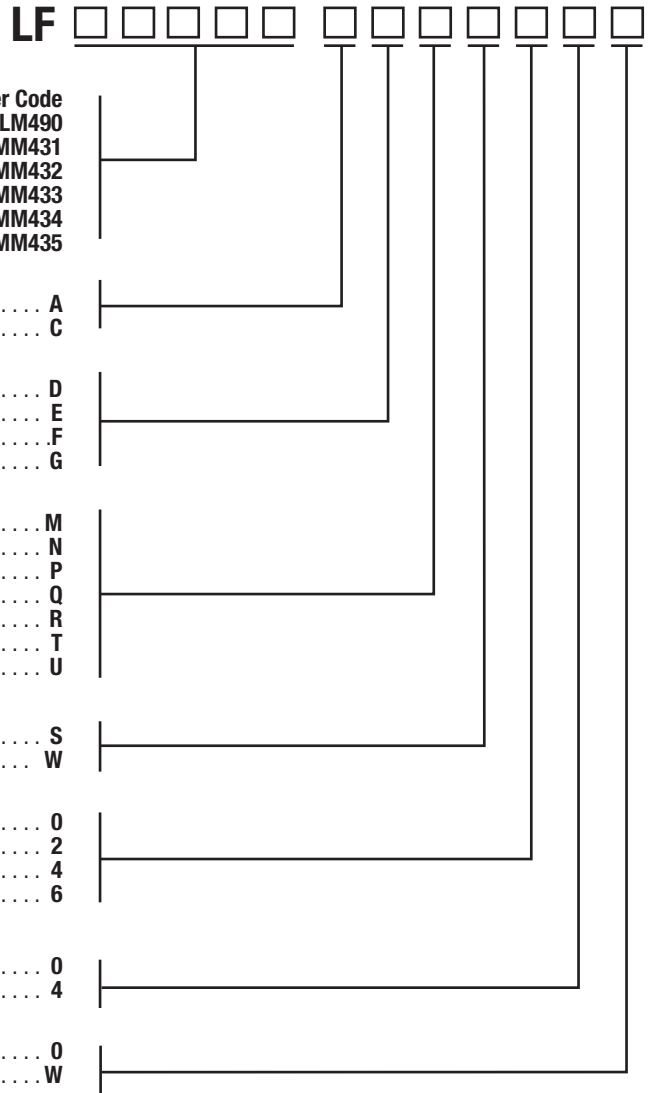
**Alarm System (Not Installed)**

- None .....
- AquaSentry2 Alarm System .....

**View Port**

- None .....
- Window .....

\*\* Not available with LFLM490.



**Note: Supply fixtures are made to order (MTO) and are not returnable or subject to credit.**

\*The wetted surface of this product contacted by consumable water contains less than 0.25% of lead by weight.

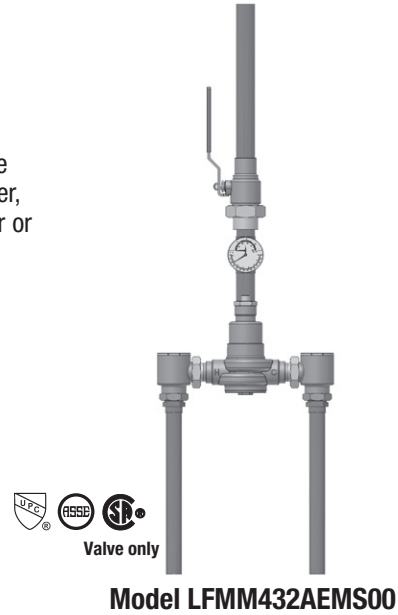
A WATTS Brand

**LEAD FREE™**

**HydroGuard® XP Series LFMM430 Supply Fixtures**

**How to Determine the Price of a Supply Fixture**

Determine the base price by looking in the first two columns of this chart, under “Valve and Pipe Finish.” This price includes the valve and standard piping kit, dial thermometer, and a standard temperature range motor. If a cabinet, a high or low temperature motor or an optional piping kit is required, add the list price shown below to the base price.



	Valve and Pipe Finish		Cabinet Style	
	Rough Bronze	Chrome Plated	Stainless Steel	Painted
Order Code	A	C	N, P, Q	R, T, U
LFLM490	\$3,784.00	\$4,151.00	\$3,891.00	\$2,594.00
LFMM431	\$5,648.00	\$6,212.00	\$4,832.00	\$2,854.00
LFMM432	\$6,824.00	\$7,202.00	\$4,832.00	\$2,854.00
LFMM433	\$7,926.00	\$8,896.00	\$4,832.00	\$2,854.00
LFMM434	\$9,568.00	\$10,752.00	\$4,832.00	\$2,854.00
LFMM435	\$12,677.00	\$15,201.00	\$5,769.00	\$3,780.00

Options						Standard Items
Order Code	Cold Water Bypass	Combination T/P Gauge on Inlets	Cold Water Bypass & Comb. T/P Gauge on Inlets	AquaSentry2	View Port	Available at No Charge
	2	4	6	4	W	D, E, F, G, M, S
LFLM490	\$1,925.00	\$702.50	\$2,617.00	\$8,596.00	\$525.50	N/C
LFMM431	\$2,485.00	\$863.90	\$3,336.00	\$8,663.00	\$525.50	N/C
LFMM432	\$2,871.00	\$863.90	\$3,732.00	\$8,927.00	\$525.50	N/C
LFMM433	\$3,238.00	\$1,044.00	\$4,263.00	\$9,105.00	\$525.50	N/C
LFMM434	\$3,650.00	\$1,044.00	\$4,677.00	\$9,277.00	\$525.50	N/C
LFMM435	\$4,548.00	\$1,300.00	\$5,833.00	\$11,495.00	\$525.50	N/C

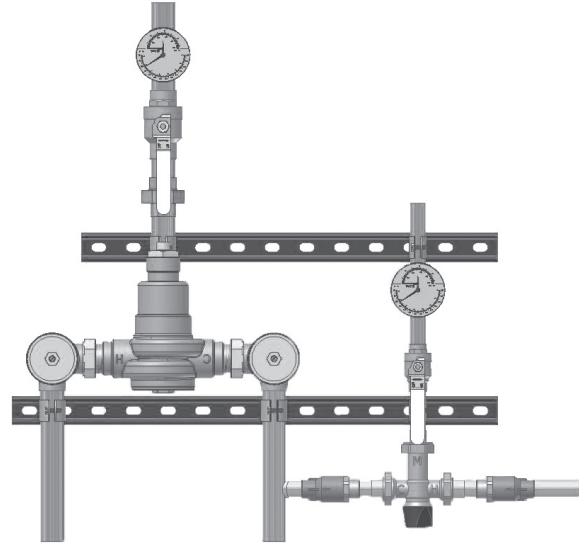
**Note: Supply fixtures are made to order (MTO) and are not returnable or subject to credit.**

\*The wetted surface of this product contacted by consumable water contains less than 0.25% of lead by weight.



### LEAD FREE™

The Lead Free HydroGuard® water tempering recirculating loop is an economical way to provide a safe, balanced system for stand alone master tempering valves. The system monitors return line temperature and automatically directs water to the cold side of the tempering valve (if within the set point) or to the hot water source (if below the set point).



LF R        A

**Valve Capacity @ 45 gpm**

Valve Capacity @ 45 gpm	List Price
42 gpm (159 lpm) . . . . .	\$7,991.00
64 gpm (242 lpm) . . . . .	\$8,768.00
110 gpm (416 lpm) . . . . .	\$10,090.00
144 gpm (545 lpm) . . . . .	\$11,619.00
208 gpm (787 lpm) . . . . .	\$14,157.00
57 gpm (216 lpm) . . . . .	\$10,391.00
127 gpm (481 lpm) . . . . .	\$13,636.00
201 gpm (761 lpm) . . . . .	\$16,166.00

**Valve & Piping Finish**

Rough Bronze . . . . .	N/C
------------------------	-----

**Return Size**

3/4" . . . . .	N/C
1" . . . . .	\$578.80

**Temperature Range**

Standard (90° - 160° F) . . . . .	N/C
Low (60° - 90° F) . . . . .	N/C

**Alarm System (not installed)**

None . . . . .	N/C
AquaSentry2 for LFMM431 . . . . .	\$8,663.00
AquaSentry2 for LFMM432 . . . . .	\$8,927.00
AquaSentry2 for LFMM433 . . . . .	\$9,104.00
AquaSentry2 for LFMM434 . . . . .	\$9,277.00
AquaSentry2 for LFMM435 . . . . .	\$11,494.00
AquaSentry2 for LFSH1432 . . . . .	\$7,495.00
AquaSentry2 for LFSH1434 . . . . .	\$9,277.00
AquaSentry2 for LFSH1435 . . . . .	\$11,494.00

Order Code	LF R	A
MM431	<input type="checkbox"/>	<input type="checkbox"/>
MM432	<input type="checkbox"/>	<input type="checkbox"/>
MM433	<input type="checkbox"/>	<input type="checkbox"/>
MM434	<input type="checkbox"/>	<input type="checkbox"/>
MM435	<input type="checkbox"/>	<input type="checkbox"/>
SH1432	<input type="checkbox"/>	<input type="checkbox"/>
SH1434	<input type="checkbox"/>	<input type="checkbox"/>
SH1435	<input type="checkbox"/>	<input type="checkbox"/>
A	<input type="checkbox"/>	<input type="checkbox"/>
B	<input type="checkbox"/>	<input type="checkbox"/>
C	<input type="checkbox"/>	<input type="checkbox"/>
S	<input type="checkbox"/>	<input type="checkbox"/>
W	<input type="checkbox"/>	<input type="checkbox"/>
0	<input type="checkbox"/>	<input type="checkbox"/>
1	<input type="checkbox"/>	<input type="checkbox"/>
2	<input type="checkbox"/>	<input type="checkbox"/>
3	<input type="checkbox"/>	<input type="checkbox"/>
4	<input type="checkbox"/>	<input type="checkbox"/>
5	<input type="checkbox"/>	<input type="checkbox"/>
6	<input type="checkbox"/>	<input type="checkbox"/>
7	<input type="checkbox"/>	<input type="checkbox"/>
8	<input type="checkbox"/>	<input type="checkbox"/>

**Note: These products are specially made and are not returnable or subject to credit.**

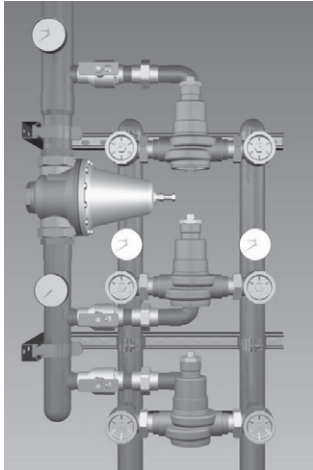
\*The wetted surface of this product contacted by consumable water contains less than 0.25% of lead by weight.



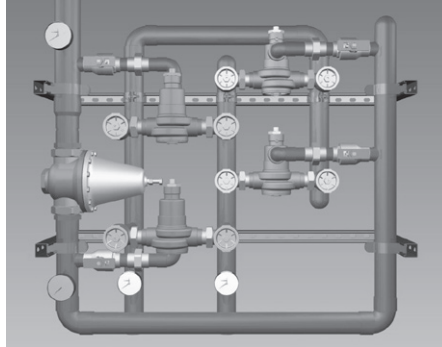
A WATTS Brand

**LEAD FREE™**

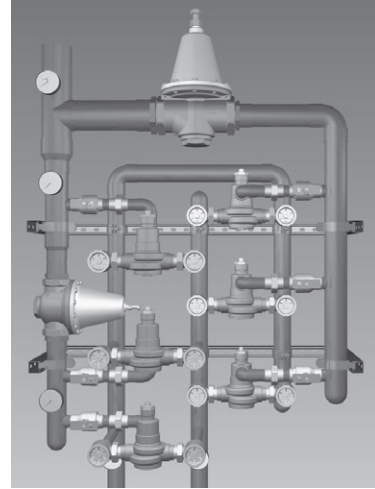
Powers' High Capacity Systems are fully assembled and factory tested. They are designed to provide safe tempered water throughout commercial and institutional facilities. They consist of LFMM434 and LFSH1434 HydroGuard® XP thermostatic tempering valves. Each system includes ball valves, thermometers, pressure gauges, triple-duty check valves and PRV. Each system is supported by heavy-duty welded struts. Piping configuration is bottom inlets and top outlets.



LFSH1434TVAEMO



LFSH1434QVAEMO



LF14346VAEMO



LF

Valve Configuration	Capacity	Inlets	Outlet	List Price	Order Code
1- LFSH1434 & 2- LFMM434	1.0 - 416 gpm	2-1/2"	3"	Per Application Contact POWERS	SH1434TV
1- LFSH1434 & 3- LFMM434	1.0 - 559 gpm	2-1/2"	3"		SH1434QV
1- LFSH1434 & 5- LFMM434	1.0 - 847 gpm	2-1/2"	4"		SH14346V
<b>Finish</b>					
Rough Bronze .....				N/C	A
<b>Piping Inlets/Outlet</b>					
Bottom/Top .....				N/C	E
<b>Cabinet</b>					
Exposed, No Cabinet .....				N/C	M
Stainless Steel, Wall Mounted .....				Per Application Contact Powers	Q
Painted, Wall Mounted .....					U
<b>Alarm (Not Installed)</b>					
None .....				N/A	0

**Note: These products are specially made and are not returnable or subject to credit.**

\*The wetted surface of this product contacted by consumable water contains less than 0.25% of lead by weight.

**LEAD FREE\***

With its IoT capabilities and certifications the IntelliStation® 2 is a smart next generation digital mixing valve solution that goes beyond just controlling the temperature of your water. It gives building owners and service contractors critical information on their valve's performance and their potable water system's condition in real time.

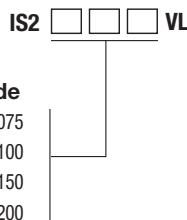
Locally or remotely monitor and control your water system with the color touch screen, or through the Nexa application which allows users with multiple sites or valves to monitor all their IntelliStation 2 mixing valves through a single interface. Setup a weekly schedule for energy savings or perform a timed sanitization of the water system to mitigate the risk of waterborne bacteria. Commissioning is quick and easy using the controller's new software wizard and the new street style plumbing connections allow for press or sweat connection of the valve.

Additional pre-piped options (IntelliStation 2S) offer more flexibility and serviceability to the owner and installer making IntelliStation 2 a versatile solution with a long lifecycle.



## Ordering Information

Valve	Inlet	Outlet	List Price	Ordering Code
IS2075VL	¾"	1"	<b>Contact POWERS</b>	075
IS2100VL	1"	1¼"		100
IS2150VL	1½"	2"		150
IS2200VL	2"	2½"		200



Valve Only



Control Only

## Options IS2

SKU	Description	Contents	List Price
<b>Expanded Monitoring of Hot &amp; Cold Inlets and Mixed Outlet Temperatures and Pressures</b>			
6555031	IS2 Digital Temperature and Pressure Expansion Kit	3 Sensors and cable	\$ 1,835.00
<b>Extend the Distance Between Control and Valve</b>			
6555011	IS2 6-foot Cable Extension Kit	Temp, encoder, and actuator cables	1,632.00
<b>Keyence Clamp on Flow Meter Kits to Monitor Mixed Outlet and Recirculation Return Flows</b>			
6555002	IS2 Flow Meter Kit, Pipe Size ½" – ¾"	1 Sensor, power adapter, and cable	5,778.00
6555003	IS2 Flow Meter Kit, Pipe Size 1" – 1¼"	1 Sensor, power adapter, and cable	5,778.00
6555004	IS2 Flow Meter Kit, Pipe Size 1½" – 2"	1 Sensor, power adapter, and cable	6,321.00
6555005	IS2 Flow Meter Kit, Pipe Size 2½" – 3"	1 Sensor, and cable	16,047.00
6555006	IS2 Flow Meter Kit, Pipe Size 4" – 5"	1 Sensor, and cable	24,119.00
<b>Convert Standard Sweat/Press Connection to NPT</b>			
6555007	IS2 Threaded Tailpiece KIT 075VL	2 Inlets and 1 mixed outlet NPT/Union connection	335.60
6555008	IS2 Threaded Tailpiece KIT 100VL	2 Inlets and 1 mixed outlet NPT/Union connection	343.70
6555009	IS2 Threaded Tailpiece KIT 150VL	2 Inlets and 1 mixed outlet NPT/Union connection	507.10
6555010	IS2 Threaded Tailpiece KIT 200VL	2 Inlets and 1 mixed outlet NPT/Union connection	1,581.00



## OPTIONS IS2S

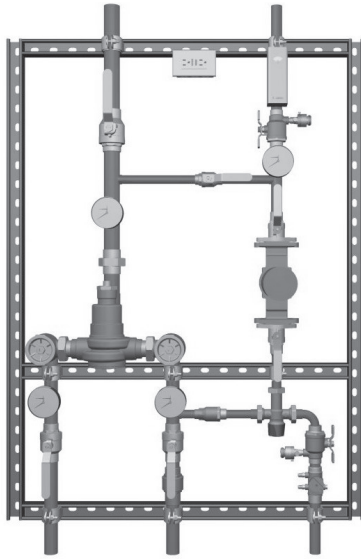
SKU	Description	Contents	List Price
<b>Extend the Distance Between Control and Valve</b>			
6555011	IS2 6-foot Cable Extension Kit	Temp, encoder, and actuator cables	\$ 1,632.00
<b>Keyence Clamp on Flow Meter Kits to Monitor Mixed Outlet and Recirculation Return Flows</b>			
6555002	IS2 Flow Meter Kit, Pipe Size ½" – ¾"	1 Sensor, power adapter, and cable	5,778.00
6555003	IS2 Flow Meter Kit, Pipe Size 1" – 1¼"	1 Sensor, power adapter, and cable	5,778.00
6555004	IS2 Flow Meter Kit, Pipe Size 1½" – 2"	1 Sensor, power adapter, and cable	6,321.00
6555005	IS2 Flow Meter Kit, Pipe Size 2½" – 3"	1 Sensor, and cable	16,047.00
6555006	IS2 Flow Meter Kit, Pipe Size 4" – 5"	1 Sensor, and cable	24,119.00

## REPAIR AND REPLACEMENT KITS

SKU	Description	Contents	List Price
6555000	IS2 Controller Kit	Electronic control unit	\$ 4,843.00
6555001	IS2 System Digital Temperature and Pressure Expansion Kit	4 Sensors with cable (For use on pre-piped systems with 4 sensors)	2,259.00
6555012	IS2 Actuator Kit	Actuator/encoder, 4 bolts, and cables	3,984.00
6555013	IS2 Mix Temp Sensor Kit	Analog mix output temperature sensor and cable	206.00
6555014	IS2 Cap and Seat Kit 075VL to 150VL	2 Cap and seat assemblies and 8 bolts	583.00
6555015	IS2 Cap and Seat Kit 200VL	2 Cap and seat assemblies and 8 bolts	381.10
6555016	IS2 TP O-ring Kit 075VL to 100VL	3 O-rings (2 inlets and 1 outlet)	12.30
6555017	IS2 TP O-ring Kit 150VL	3 O-rings (2 inlets and 1 outlet)	14.20
6555018	IS2 TP O-ring Kit 200VL	3 O-rings (2 inlets and 1 outlet)	406.50
6555019	IS2 Actuator Cable Kit	Encoder and actuator cable	309.10
6555020	IS2 Check Repair Kit 075VL to 100VL	2 inlet check valves	127.00
6555021	IS2 Check Repair Kit 150VL	2 inlet check valves	640.70
6555022	IS2 Check Repair Kit 200VL	2 inlet check valves	1,205.00
6555023	IS2 TP Kit, IN 075VL	1 inlet connection ¾" union/street	113.80
6555024	IS2 TP Kit, OUT 075VL	1 outlet connection 1" union/street	63.40
6555025	IS2 TP Kit, IN 100VL	1 inlet connection 1" union/street	114.40
6555026	IS2 TP Kit, OUT 100VL	1 outlet connection 1¼" union/street	66.90
6555027	IS2 TP Kit, IN 150VL	1 inlet connection 1½" union/street	212.40
6555028	IS2 TP Kit, OUT 150VL	1 outlet connection 2" union/street	120.00
6555029	IS2 TP Kit, IN 200VL	1 inlet connection 2" union/street	549.90
6555030	IS2 TP Kit, OUT 200VL	1 outlet connection 2½" union/street	486.20
6555031	IS2 Valve Digital Temperature and Pressure Expansion Kit	3 Sensors with cable (For use on valves with 3 sensors)	1,835.00
6555032	IS2 SS Shuttle Small 075VL to 150VL	Stainless steel shuttle	320.60
6555033	IS2 SS Shuttle Large 200VL	Stainless steel shuttle	583.10

A WATTS Brand

**LEAD FREE\***



PowerStation is a complete, fully assembled water tempering system, designed to provide safe tempered water throughout commercial and institutional facilities. PowerStation features the HydroGuard® XP LFMM430 or LFSH1430 tempering series valve with advanced thermal actuation technology. Each PowerStation is mounted on heavy-duty, welded struts and is factory tested as a complete system. Each PowerStation includes an engineer specified circulator, GFCI outlet, combination temperature/pressure gauges and Powers' triple-duty checkstops and internal bypass loop for fast and easy set-up. Optional equipment includes an Aquastat and/or Powers' exclusive automatic balancing valve.



Shown with optional pump

Valve	Capacity	Inlet	Outlet
LFSH1432	1 - 57 gpm	3/4"	1"
LFSH1434	1 - 127 gpm	1-1/4"	1-1/2"
LFSH1435	5 - 201 gpm	2"	2"
LFMM431	3 - 42 gpm	3/4"	3/4"
LFMM432	4 - 64 gpm	3/4"	1"
LFMM433	5 - 110 gpm	1-1/4"	1-1/4"
LFMM434	7 - 144 gpm	1-1/4"	1-1/2"
LFMM435	10 - 208 gpm	2"	2"

List Price  
Per Application Contract Powers

**Controls**

None	O
Aquastat	A
Aqua Sentry® 2**	B
Aquastat & Aqua Sentry® 2**	C

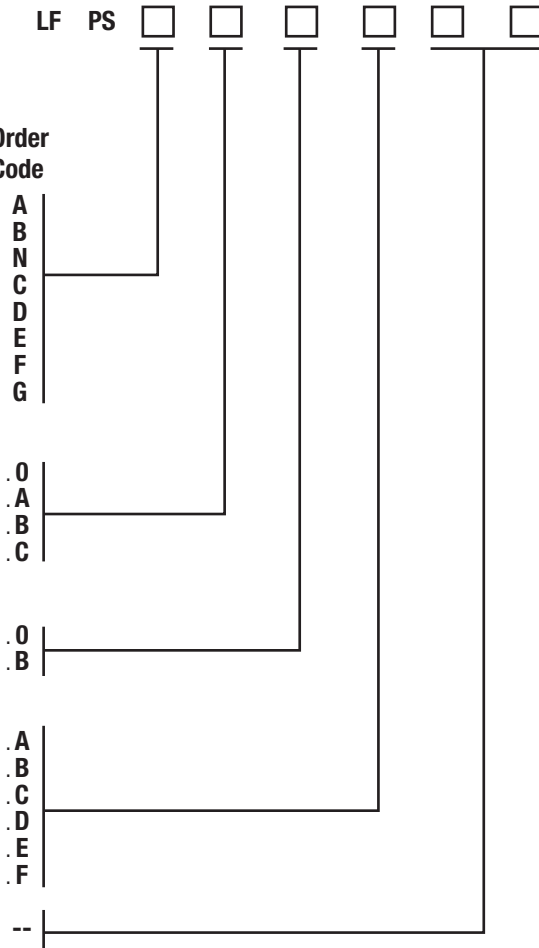
**Balancing Valves**

None	O
Automatic Balancing Valve	B

**Return Pipe Size**

1/2"	A
3/4"	B
1"	C
1-1/4"	D
1-1/2"	E
2"	F

**Assigned by Factory**



**Pump Information:**

Call Powers Technical Service at (888) 432-8932 for pump selection. You must provide the following information. Pump shall be lead free.

System Head Loss \_\_\_\_\_

Required Flow to Maintain Recirculating Temp. \_\_\_\_\_

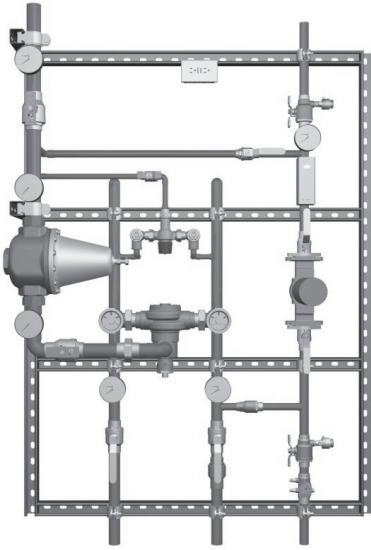
**Note: These products are specially made and are not returnable or subject to credit.**

\*The wetted surface of this product contacted by consumable water contains less than 0.25% of lead by weight.

\*\*Aqua Sentry® 2 - not installed

A WATTS Brand

**LEAD FREE\***



Shown with optional pump

PowerStation™ is a complete, fully assembled water tempering system, designed to provide safe tempered water throughout commercial and institutional facilities. PowerStation™ features the HydroGuard® XP LFLM490, LFMM430 and/or LFSH1430 tempering series valve with advanced thermal actuation technology. Each PowerStation™ is mounted on heavy-duty, welded struts and is factory tested as a complete system. It also includes an engineer specified circulator, GFCI outlet, combination temperature/pressure gauges, Powers' triple-duty checkstops and internal bypass loop for fast and easy set-up. Optional equipment includes an Aquastat and/or Powers' exclusive automatic balancing valve.



Valve	Capacity	Inlets	Outlet
LFMM431HL	0.5 - 65 gpm	3/4"	3/4"
LFMM432HL	0.5 - 87 gpm	3/4"	1"
LFMM433HL	0.5 - 133 gpm	1-1/4"	1-1/4"
LFMM434HL	0.5 - 167 gpm	1-1/4"	1-1/2"
LFMM435HL	3 - 186 gpm	1-1/4"	1-1/2"
LFSH1432HL	1 - 201 gpm	1-1/2"	2"
LFSH1434HL	1 - 271 gpm	2"	2-1/2"
LFSH1432DV	2 - 184 gpm	1-1/2"	2"
LFSH1434DV	2 - 251 gpm	2"	2-1/2"
LFSH1434TV	1 - 416 gpm	2-1/2"	3"
LFSH1435DV	10 - 402 gpm	4"	4"

**List Price**  
**Per Application Contact POWERS**

Order Code	LF	PS					
H							
J							
K							
L							
M							
P							
Q							
S							
T							
W							
X							
<b>Controls</b>							
None							O
Aquastat							A
Aqua Sentry® 2**							B
Aquastat & Aqua Sentry® 2**							C
<b>Balancing Valve</b>							
None							O
Automatic Balancing Valve							B
<b>Return Pipe Size</b>							
1/2"							A
3/4"							B
1"							C
1-1/4"							D
1-1/2"							E
2"							F
<b>Assigned by Factory</b>							
							--

**Controls**  
 None ..... O  
 Aquastat ..... A  
 Aqua Sentry® 2\*\* ..... B  
 Aquastat & Aqua Sentry® 2\*\* ..... C

**Balancing Valve**  
 None ..... O  
 Automatic Balancing Valve ..... B

**Return Pipe Size**  
 1/2" ..... A  
 3/4" ..... B  
 1" ..... C  
 1-1/4" ..... D  
 1-1/2" ..... E  
 2" ..... F

**Assigned by Factory** ..... --

**Pump Information:**

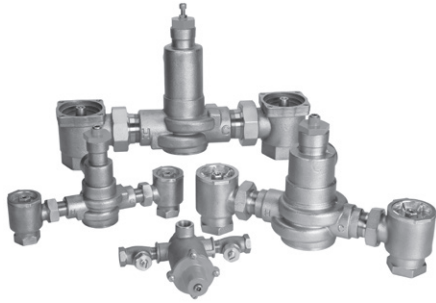
Call Powers Technical Service at (888) 432-8932 for pump selection. You must provide the following information. Pump shall be lead free.

System Head Loss \_\_\_\_\_

Required Flow to Maintain Recirculating Temp. \_\_\_\_\_

**Note: These products are specially made and are not returnable or subject to credit.**

\*The wetted surface of this product contacted by consumable water contains less than 0.25% of lead by weight.  
 \*\*Aqua Sentry® 2 - not installed and not available on LFSH1434HL, LFSH1434DV, LFSH1434TV, LFSH1435DV.



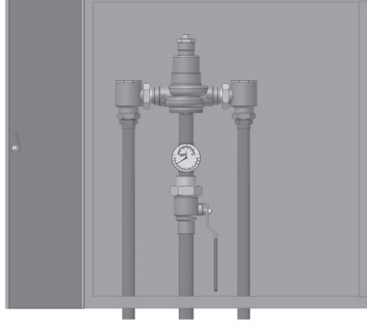
The HydroGuard® XP Emergency Tempering valves, with cold water bypass, are designed to use with emergency fixtures in compliance with ANSI Z358.1 2014 and are ASSE 1071 listed. Valves feature advanced paraffin actuation technology, dirt and lime resistant poppet and seat design and vandal resistant locking mechanism. Valves are available in two finishes.



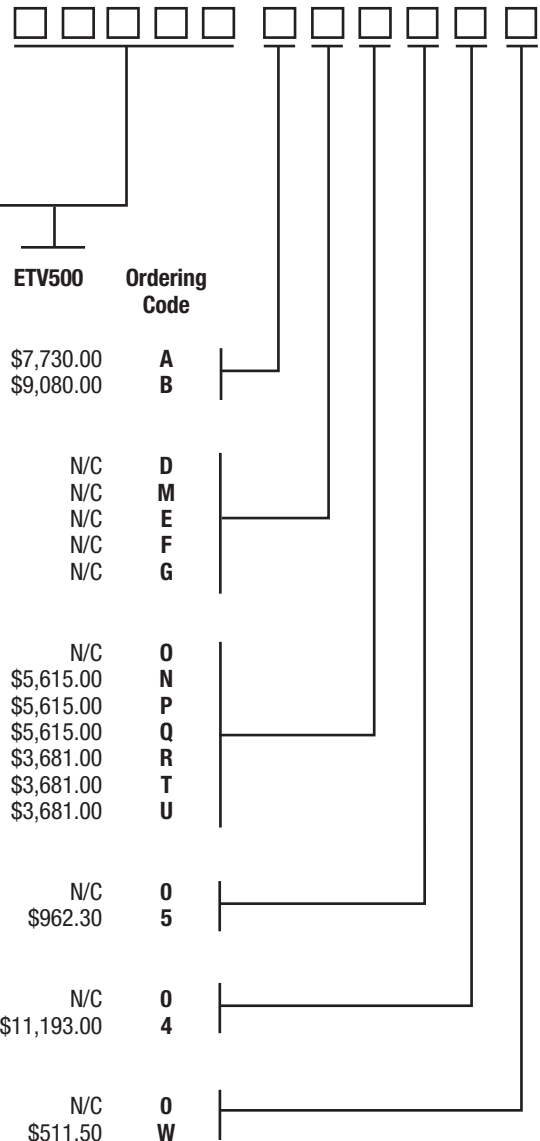
Valve	Valve Only	
	Rough Bronze	Chrome Plated
<b>ES150</b> 1/2 x 1/2	<b>ES150-10</b> \$2,344.00	<b>ES150-20</b> \$2,632.00
<b>ETV200</b> 3/4 x 1	<b>ETV200-10</b> \$3,683.00	<b>ETV200-20</b> \$4,120.00
<b>ETV400</b> 1 1/4 x 1 1/2	<b>ETV400-10</b> \$5,736.00	<b>ETV400-20</b> \$6,282.00
<b>ETV500</b> 2 x 2	<b>ETV500-10</b> \$7,819.00	<b>ETV500-20</b> \$8,542.00

Valve	Valve w/Temperature/Pressure Gauge on Outlet	
	Rough Bronze	Chrome Plated
<b>ES150</b> 1/2 x 1/2	<b>ES150-11</b> \$2,438.00	<b>ES150-22</b> \$2,772.00
<b>ETV200</b> 3/4 x 1	<b>ETV200-13</b> \$4,157.00	<b>ETV200-24</b> \$4,300.00
<b>ETV400</b> 1 1/4 x 1 1/2	<b>ETV400-15</b> \$5,998.00	<b>ETV400-26</b> \$6,841.00
<b>ETV500</b> 2 x 2	<b>ETV500-17</b> \$8,184.00	<b>ETV500-28</b> \$8,912.00

A WATTS Brand



The HydroGuard® XP Emergency Tempering valves, with cold water bypass, are designed to use with emergency fixtures in compliance with ANSI Z358.1 2004 and are ASSE 1071 listed. Valves feature advanced paraffin actuation technology, dirt and lime resistant poppet and seat design and vandal resistant locking mechanism. Valves are available in two finishes.



	ES150	ETV200	ETV400	ETV500	Ordering Code
<b>Valve and Piping Finish</b>					
Rough Bronze	\$2,795.00	\$4,402.00	\$6,723.00	\$7,730.00	<b>A</b>
Chrome Plated	\$3,194.00	\$5,131.00	\$8,172.00	\$9,080.00	<b>B</b>
<b>Piping Inlets/Outlet</b>					
Top/Top	N/C	N/C	N/C	N/C	<b>D</b>
Top/Bottom	N/C	N/C	N/C	N/C	<b>M</b>
Bottom/Top	N/C	N/C	N/C	N/C	<b>E</b>
Bottom/Bottom	N/C	N/C	N/C	N/C	<b>F</b>
Bottom/Side	N/C	N/C	N/C	N/C	<b>G</b>
<b>Cabinet Style</b>					
Exposed, no cabinet	N/C	N/C	N/C	N/C	<b>O</b>
Stainless Steel, Recessed	\$2,734.00	\$4,703.00	\$4,703.00	\$5,615.00	<b>N</b>
Stainless Steel, Semi-Recessed	\$2,734.00	\$4,703.00	\$4,703.00	\$5,615.00	<b>P</b>
Stainless Steel, Wall Mounted	\$2,734.00	\$4,703.00	\$4,703.00	\$5,615.00	<b>Q</b>
Painted, Recessed	\$2,283.00	\$2,781.00	\$2,781.00	\$3,681.00	<b>R</b>
Painted, Semi-Recessed	\$2,283.00	\$2,781.00	\$2,781.00	\$3,681.00	<b>T</b>
Painted, Wall Mounted	\$2,283.00	\$2,781.00	\$2,781.00	\$3,681.00	<b>U</b>
<b>Option</b>					
None	N/C	N/C	N/C	N/C	<b>0</b>
T/P Gauge on Inlets	\$517.90	\$638.90	\$770.40	\$962.30	<b>5</b>
<b>Alarm System (not installed)</b>					
None	N/C	N/C	N/C	N/C	<b>0</b>
AquaSentry2	\$8,315.00	\$8,693.00	\$9,035.00	\$11,193.00	<b>4</b>
<b>View Port</b>					
None	N/C	N/C	N/C	N/C	<b>0</b>
Window	\$511.50	\$511.50	\$511.50	\$511.50	<b>W</b>

**Note: These products are made to order (MTO) and are not returnable or subject to credit.**

## Hydropanel II Modular Shower Systems

### with e700 T/P Series Valve

Hydropanel II Shower Systems are constructed from stainless steel. They feature HydroGuard T/P Series e700 combination mixing valves with ABS or Metal handles, vandal-resistant fasteners, color-coded graphics, end caps, and are factory-tested and pre-assembled.



Valve Only



Model 4507100



Model 4507054

### Hydropanel II with e705 Combination Mixing Valves with ABS Handles

Description	Order Code	Weight (lbs.)	List Price
Fixed Showerhead and Soap Dish .....	<b>4507050</b>	15.0	\$2,715.00
Fixed Showerhead, less Soap Dish .....	<b>4507051</b>	14.0	\$2,715.00
Swivel Showerhead and Soap Dish .....	<b>4507052</b>	15.0	\$2,715.00
Swivel Showerhead, less Soap Dish .....	<b>4507053</b>	14.0	\$2,715.00
Professional Hand Shower, Glide Rail, VB and Soap Dish	<b>4507054</b>	17.0	\$3,275.00
Professional Hand Shower, Glide Rail, VB, less Soap Dish	<b>4507055</b>	16.0	\$3,275.00
Deluxe Hand Shower, Glide Rail, VB and Soap Dish	<b>4507056</b>	18.0	\$3,379.00
Deluxe Hand Shower, Glide Rail, VB, less Soap Dish	<b>4507057</b>	17.0	\$3,379.00
Professional Hand Shower, Glide Rail, VB, Fixed Showerhead and Soap Dish	<b>4507058</b>	18.0	\$4,721.00
Professional Hand Shower, Glide Rail, VB, Swivel Showerhead and Soap Dish	<b>4507059</b>	19.0	\$4,721.00

### Hydropanel II with e710 Combination Mixing Valves with Metal Handles

Description	Order Code	Weight (lbs.)	List Price
Fixed Showerhead and Soap Dish .....	<b>4507100</b>	15.0	\$2,764.00
Fixed Showerhead, less Soap Dish .....	<b>4507101</b>	14.0	\$2,764.00
Swivel Showerhead and Soap Dish .....	<b>4507102</b>	15.0	\$2,764.00
Swivel Showerhead, less Soap Dish .....	<b>4507103</b>	14.0	\$2,764.00
Professional Hand Shower, Glide Rail, VB and Soap Dish	<b>4507104</b>	17.0	\$3,326.00
Professional Hand Shower, Glide Rail, VB, less Soap Dish	<b>4507105</b>	16.0	\$3,326.00
Deluxe Hand Shower, Glide Rail, VB and Soap Dish	<b>4507106</b>	18.0	\$3,428.00
Deluxe Hand Shower, Glide Rail, VB, less Soap Dish	<b>4507107</b>	17.0	\$3,428.00
Professional Hand Shower, Glide Rail, VB, Fixed Showerhead and Soap Dish	<b>4507108</b>	18.0	\$4,767.00
Professional Hand Shower, Glide Rail, VB, Swivel Showerhead and Soap Dish	<b>4507109</b>	19.0	\$4,767.00

## Hydropanel II Modular Shower Systems

Hydropanel II Shower Systems are constructed from stainless steel. They feature a pressure balance or thermostatic mixing valve with metal lever handle, vandal-resistant fasteners, color-coded graphics, end caps, and are factory-tested and pre-assembled.











Model 4504002




Model 4504210E 



Model 4500416P 

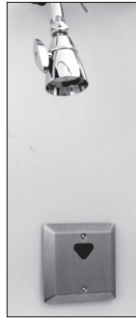
	Order Code	Weight (lbs.)	List Price
<b>Hydropanel II with Biltmore 900 Pressure Balancing Valve</b>			
Hydropanel II with Fixed Showerhead and Soap Dish .....	<b>4504000</b>	15.0	\$2,587.00
Hydropanel II with Fixed Showerhead, less Soap Dish .....	<b>4504001</b>	14.0	\$2,587.00
Hydropanel II with Swivel Showerhead and Soap Dish .....	<b>4504002</b>	15.0	\$2,587.00
Hydropanel II with Swivel Showerhead, less Soap Dish .....	<b>4504003</b>	14.0	\$2,587.00
Hydropanel II with Professional Hand Shower, Glide Rail, VB and Soap Dish 	<b>4504004</b>	17.0	\$3,129.00
Hydropanel II with Professional Hand Shower, Glide Rail, VB, less Soap Dish 	<b>4504005</b>	16.0	\$3,129.00
Hydropanel II with Deluxe Hand Shower, Glide Rail, VB and Soap Dish 	<b>4504006</b>	18.0	Add: \$3,274.74
<b>Option:</b> Metering Valve Only .....	Suffix <b>M</b>		Add: \$944.54
Metering Valve with Pressure Balancing .....	Suffix <b>MP</b>		\$1,388.00
<b>Hydropanel II with HydroGuard PB410 Pressure Balancing Valve</b>			
Hydropanel II with Fixed Showerhead and Soap Dish .....	<b>4500416P</b>	15.0	\$3,090.00
Hydropanel II with Fixed Showerhead, less Soap Dish .....	<b>4500417P</b>	14.0	\$3,090.00
Hydropanel II with Swivel Showerhead and Soap Dish .....	<b>4500418P</b>	15.0	\$3,090.00
Hydropanel II with Swivel Showerhead, less Soap Dish .....	<b>4500419P</b>	14.0	\$3,090.00
Hydropanel II with Hand Shower VB and Soap Dish 	<b>4500420P</b>	17.0	\$3,643.00
Hydropanel II with Hand Shower, VB, less Soap Dish 	<b>4500421P</b>	16.0	\$3,643.00
Hydropanel II with Diverter, Deluxe Hand Shower, VB, Fixed Showerhead, and Soap Dish 	<b>4504104P</b>	17.0	\$6,593.00
<b>Hydropanel II with HydroGuard e420 Thermostatic Mixing Valve</b>			
Hydropanel II with Fixed Showerhead and Soap Dish .....	<b>4504210E</b>	15.0	\$3,600.00
Hydropanel II with Fixed Showerhead, less Soap Dish .....	<b>4504211E</b>	14.0	\$3,600.00
Hydropanel II with Swivel Showerhead and Soap Dish .....	<b>4504212E</b>	15.0	\$3,600.00
Hydropanel II with Swivel Showerhead, less Soap Dish .....	<b>4504213E</b>	14.0	\$3,600.00
Hydropanel II with Hand Shower VB and Soap Dish 	<b>4504214E</b>	17.0	\$4,160.00
Hydropanel II with Hand Shower, VB, less Soap Dish 	<b>4504215E</b>	16.0	\$4,160.00

	Order Code	Weight (lbs.)	List Price
<b>Hydropanel II Dual Shower with Diverter</b>			
Hydropanel II with Diverter, Deluxe Hand Shower, VB, Fixed Showerhead and 900 Series Pressure Equalizing Valve, Soap Dish 	<b>4504103</b>	22.0	\$5,383.00
<b>Hydropanel II Tub/Shower with Biltmore 900 Pressure Balancing Valve</b>			
Hydropanel II with Fixed Showerhead, Diverter Spout and 900 Series Pressure Equalizing Valve with Soap Dish	<b>4504031</b>	22.0	\$4,165.00
<b>Hydropanel II Modular Shrouding System</b>			
Horizontal Adaptor Kit, 16"	<b>4504040</b>	3.8	\$495.40
Horizontal Adaptor Kit, 24"	<b>4504041</b>	6.9	\$468.50
Horizontal Adaptor Kit, 48"	<b>4504042</b>	13.0	\$671.70
Overlay Shroud Kit, 8"	<b>4504043</b>	1.6	\$327.30
Overlay Shroud Kit, 13"	<b>4504044</b>	2.6	\$343.10
Overlay Shroud Kit, 16"	<b>4504045</b>	3.7	\$369.90
Overlay Shroud Kit, 18"	<b>4504046</b>	4.2	\$392.10
Overlay Shroud Kit, 23"	<b>4504047</b>	6.4	\$421.20
Overlay Shroud Kit, 28"	<b>4504048</b>	5.5	\$448.00
Extension Shroud Kit, 6"	<b>4504050</b>	1.6	\$320.70
Extension Shroud Kit, 24"	<b>4504051</b>	4.2	\$421.20
Corner Shroud Kit, 10"	<b>4504049</b>	2.2	\$340.70
Corner MTG Kit	<b>4500430</b>	1.0	NLA
Corner End Cap	<b>4504015</b>	0.7	NLA
End Cap Kit	<b>4504011</b>	0.1	\$90.00

**See page 31 for ESP™ Infrared and Piezo Proximity Hydropanel Systems.**

**HydroGuard® ESP Infrared Showers**

Powers ESP Infrared Showers are supplied complete with the sensor assembly, 24 VAC solenoid valve, modular junction box and mounting hardware. Optional box mount or plug-in transformer available. Hand showers and diverters are optional as well.



**HydroGuard® Piezo Sensor Showers**

Powers ESP Piezo Showers are supplied complete with 24 VAC solenoid valve, installation kit, and control box. Optional box-mount or plug-in transformer available. (Piezo shower is also available for multiple shower applications.)



ADA compliant

	List Price	Order Code	447- <input type="checkbox"/> <input type="checkbox"/> <input type="checkbox"/> <input type="checkbox"/> <input type="checkbox"/> <input type="checkbox"/> <input type="checkbox"/> <input type="checkbox"/> <input type="checkbox"/> <input type="checkbox"/>
<b>Sensor</b>			
Infrared .....	\$3,649.00	1	
Piezo .....	NLA	3	
for wall depth 0-.25" .....		4	
for wall depth .26"-1.5" .....	\$2,847.00	5	
for wall depth 1.6"-4.5" .....	\$2,880.00	6	
for wall depth 4.6"-6.5" .....	\$2,993.00	7	
for wall depth 6.6"-8.5" .....	\$3,063.00		
<b>Transformer (Order separately-See below)</b>			
None .....	N/C	00	
<b>Control Box</b>			
Individual Control (For Piezo) .....	N/C	IC	
Less Box (For Infrared) .....	N/C	00	
<b>Showerhead</b>			
None .....	N/C	00	
Adj. Brass/Arm and Flange .....	\$155.90	K1	
Adj. Brass/Arm and Flange .....	\$212.00	M1	
Institutional (141 381) .....	NLA	N0	
Institutional (141 868) .....	\$649.60	P0	
Institutional (141903A) .....	\$554.80	Q0	
Institutional (141903B) .....	\$608.60	R0	
Institutional (141903C) .....	\$554.80	S0	
<b>Hand Shower</b>			
None .....	N/C	0	
Deluxe (141 163) w/VB (141 319) .....	\$1,036.00	6	
Standard (141 827) w/VB (141 319) .....	\$682.10	8	
<b>Diverter</b>			
None .....	N/C	0	
Concealed (141600B) .....	\$479.40	Y	
Concealed (141600E) .....	\$511.50	A	
Concealed (141600F) .....	\$526.60	B	
<b>Transformer (Powers up to 1 solenoid)</b>			
Box (444 119) .....	\$287.30		

A WATTS Brand

### Hydropanel ESP Infrared Showers

Powers Hydropanel ESP Infrared Showers are supplied complete with the sensor assembly and 24 VAC solenoid valve pre-piped in a stainless steel shroud. Modular junction box and mounting hardware included, as well as optional box mount or plug-in 24 VAC transformer.



### Hydropanel ESP Piezo Showers

Powers Hydropanel ESP Piezo Showers are supplied complete with the assembly, proximity sensor assembly, and 24 VAC solenoid valve, pre-piped in a stainless steel shroud. Control box and mounting hardware included.



ADA compliant

	List Price	Order Code	450-
<b>Sensor</b>			<input type="checkbox"/> <input type="checkbox"/> <input type="checkbox"/> <input type="checkbox"/> <input type="checkbox"/> <input type="checkbox"/> <input type="checkbox"/> <input type="checkbox"/> <input type="checkbox"/>
Infrared .....	\$6,644.00	1	0 0
Piezo .....	\$5,343.00	2	
<b>Transformer</b> (Order separately-See below)			
None .....	N/C	00	
<b>Control Box</b>			
Individual Control (Push Button) .....	N/C	IC	
Less Box (Infrared only) .....	N/C	00	
<b>Showerhead</b>			
Fixed Head .....	N/C	03	
Swivel Head .....	N/C	04	
Professional Hand Shower (141 318) w/VB (141 319) .....	\$699.50	07	
Deluxe Hand Shower (141 163) w/VB (141 319) ..	\$1,036.00	06	
Standard Hand Shower (141 827) w/VB (141 319)	\$682.10	08	
Fixed Head, Standard Hand Shower, VB (141 319) and Diverter (141600B) .....	\$1,238.00	10	
Fixed Head, Deluxe Hand Shower, VB (141 319) and Diverter (141600B) .....	\$1,517.00	12	
<b>Soap Dish</b>			
With Soapdish .....	N/C	WD	
Less Soapdish .....	N/C	LD	
<b>Transformer</b> (Powers up to 1 solenoid)			
Box (444 119) .....	\$287.30		

A WATTS Brand

**LEAD FREE™**

## Aqua Sentry® 2 Series LF460 Alarm System

Audibly and visibly warns and shuts down supply if water temperature exceeds high or low set-points.

### AquaSentry 2 Alarm System, complete

Includes the AquaSentry 2 control module, temperature sensor with phone-style jack, sensor junction box, 4 x 4 electrical box, UL/CSA approved 24 VAC, class 2 transformer, and 25 feet of station cable.

Model	Order Code	Weight	List Price
LF4600150	0123789	8.0 lbs.	\$3,912.00

Motorized Ball Valve, cable, and shock absorber must be ordered separately. See below.

### Accessories for AquaSentry 2

#### Motorized Ball Valves - 24 VAC

	Order Code	Weight	List Price
1/2"	0123835	9 lbs.	\$3,472.00
3/4"	0123839	10 lbs.	\$3,540.00
1"	0123843	11 lbs.	\$3,795.00
1-1/4"	0123847	11 lbs.	\$3,959.00
1-1/2"	0123850	12 lbs.	\$4,134.00
2"	0123853	14 lbs.	\$6,276.00

#### Cable

Telephone station cable

Order Code	List Price
460 339	\$5.94/foot

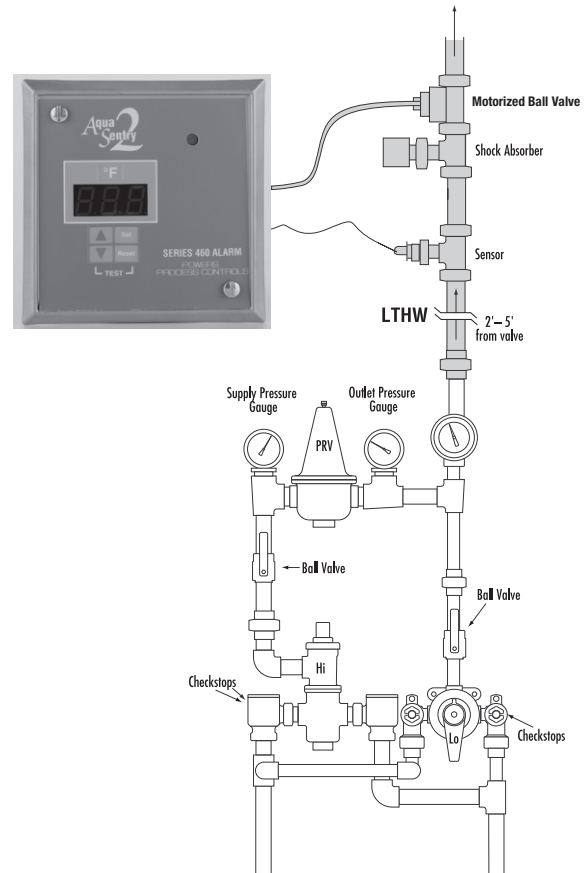
#### Shock Absorber

1" NPT, stainless steel, nitrogen-charged.

Order Code	Weight	List Price
460 353	1.0 lbs.	\$1,585.00

#### Components

460 602	AquaSentry 2 Transformer, Class 2, 24 VAC, UL/CSA-approved, 4 lbs.	\$406.30
460 601	Temperature Sensor with Phone Jack	\$933.70



\*The wetted surface of this product contacted by consumable water contains less than 0.25% of lead by weight.

### Fotoguard and Fotopanel Series 440

For precise control of water temperature for photographic processing.



**Fotoguard**

### Fotopanel



#### Fotoguard

Description	Order Code	Capacity	Outlets	Weight	List Price
Concealed—Stainless steel faceplate with temperature indication, volume control, inlet strainer checkstops.	<b>4401550</b>	1–6 gpm	1/2"	7.5 lbs.	\$3,474.00
Exposed—Chrome-plated finish, inlet strainer checkstops, volume control.	<b>4401500</b>	1–6 gpm	1/2"	7.8 lbs.	\$4,750.00
	<b>4401510</b>	5–14 gpm	1/2"	9.5 lbs.	\$5,299.00

#### Fotopanel

Stainless steel cabinet includes T/P valve, temperature adjustment, inlet strainer checkstops, On/Off valve, volume control, dial thermometer, vacuum breaker.	<b>4401000</b>	1–6 gpm	1/2"	17.0 lbs.	\$7,961.00
	<b>4403000</b>	5–14 gpm	1/2"	21.0 lbs.	\$9,982.00
Same as 440-1000 with recessed cabinet.	<b>4401020</b>	1–6 gpm	1/2"	17.0 lbs.	\$9,634.00
Optional temperature ranges; add appropriate suffix code.	40° to 90°F	Suffix code: <b>W</b>		Add: \$418.27	
	120° to 175°F	Suffix code: <b>V</b>		Add: \$418.27	



### High Temperature Shutoff Device

Shower high temperature shut-off device used between shower arm and shower head  
115°F limit. Automatic reset. ASSE 1062 listed. . . . .

Type	Order Code	Weight (lbs.)	List Price
—	<b>HT115</b>	0.3	\$149.50



### Checkstops (sold in pairs)

Straight, 1/2" IPS, Concealed . . . . .  
Straight, 1/2" IPS, Exposed, Polished Chrome . . . . .  
Straight, 1/2" Sweat, Concealed . . . . .  
Angled, 1/2" Sweat, Concealed . . . . .  
Angled, with Strainer, 1/2" IPS, Concealed . . . . .  
Angled, with Strainer, 1/2" IPS, Exposed, Polished Chrome . . . . .  
Straight, 1/2" IPS, Rough Chrome . . . . .

Type	Order Code	Weight (lbs.)	List Price
A	<b>141 176</b>	1.1	\$188.30
B	<b>141 177</b>	1.0	\$554.80
C	<b>141 187</b>	1.1	\$188.30
D	<b>141 326</b>	1.3	NLA
E	<b>230 046</b>	2.5	\$507.40
F	<b>230 048</b>	2.4	\$792.00
G	<b>141 307</b>	1.1	NLA



### Showerheads

Economizer, Chrome-Plated ABS, Adjustable . . . . .  
Standard, Chrome-Plated Brass, Adjustable . . . . .  
Large, Chrome-Plated Brass, Adjustable . . . . .  
Low Flow (1.6 gpm) Shower Head, Chrome-Plated . . . . .  
Low Flow (1.5 gpm) Shower Head, Chrome-Plated . . . . .  
Massage Showerhead, Polished Chrome . . . . .  
Adjustable, Brass Ball Joint Showerhead, Polished Chrome . . . . .  
Standard, Chrome-Plated Brass, Adjustable, 1/2" Male Thread . . . . .  
Large, Chrome-Plated Brass, Adjustable, 1/2" Male Thread . . . . .

Type	Order Code	Weight (lbs.)	List Price
J	<b>141 371</b>	0.5	\$43.70
K	<b>141 377</b>	0.7	\$91.10
M	<b>141 376</b>	1.1	\$146.80
G	<b>141 800</b>	2.5	\$228.90
H	<b>141 801</b>	0.5	\$181.80
—	<b>141 803</b>	0.9	NLA
—	<b>141 353</b>	1.5	NLA
—	<b>141 378</b>	0.7	\$138.60
—	<b>141 379</b>	1.1	\$194.80



**141 868    141 816/141 817    141903A/B    141903C/D**

### Institutional Showerheads

30° Fixed Head with Screwed/Sweat Connections . . . . .  
Wall-Mounted, 25°, Fixed Head with 5° Adjustment Feature, Vandal-Resistant . . . . .  
Fixed Showerhead, Adjustable Spray, Chrome-Plated, Brass . . . . .  
Fixed Showerhead, Adjustable Spray, Chrome-Plated, Brass, 1.5gpm . . . . .  
Small Ball Joint Shower Head with Wall Bracket, Anchor Plate,  
and Adjustable Spray, Chrome Plated, Brass. . . . .  
Large Ball Joint Shower Head with Wall Bracket, Anchor Plate,  
and Adjustable Spray, Chrome Plated, Brass. . . . .  
Fixed Showerhead with Wall Bracket, Anchor Plate,  
and Adjustable Spray, Chrome-Plated, Brass . . . . .  
Fixed Showerhead with Wall Bracket, Anchor Plate,  
and Adjustable Spray, Chrome-Plated, Brass, 1.5 gpm . . . . .

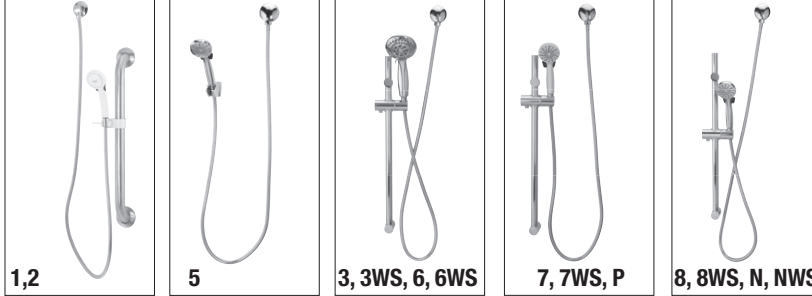
Type	Order Code	Weight (lbs.)	List Price
—	<b>141 381</b>	3.1	NLA
—	<b>141 868</b>	2.0	\$649.60
—	<b>141 816</b>	1.0	\$431.60
—	<b>141 817</b>	1.0	\$431.60
—	<b>141903A</b>	3.0	\$554.80
—	<b>141903B</b>	3.2	\$608.60
—	<b>141903C</b>	2.7	\$554.80
—	<b>141903D</b>	2.7	\$554.80

A WATTS Brand



### Arm and Flange Kits

	Type	Order Code	Weight (lbs)	List Price
Standard Arm and Flange	1	141 399	0.3	\$67.70
Deluxe Arm and Flange (with set screw on flange)	2	141 198	0.4	\$104.10



### Hand Shower Systems

	Type	Order Code	Model/Part No.	Weight	List Price
24" Stainless Steel ADA Wall Grab Bar with Shower System	1	141 174	141 174	4.7	\$953.70
36" Stainless Steel ADA Wall Grab Bar with Shower System	2	141 175	141 175	5.5	\$981.60
Standard, Hand Spray Push Button, CP Plastic, 2.50 gpm, Metal Hose, Wall Mount, 3-Position, 2/Kit	5	6551722	141 161N	2.0	\$442.70
Standard, Hand Spray Push Button, CP Plastic, 2.50 gpm, Metal Hose, 24" Glide Rail	8	6551723	141 827N	2.6	\$578.30
Standard, Hand Spray Push Button, CP Plastic, 1.80 gpm WaterSense®, Metal Hose, 24" Glide Rail	8WS	6551724	141 827WS	2.6	\$578.30
Standard, Hand Spray Push Button, CP Plastic, 2.50 gpm, Metal Hose, 30" Glide Rail	N	6551725	141 879N	3.1	\$779.00
Standard, Hand Spray Push Button, CP Plastic, 1.80 gpm WaterSense®, Metal Hose, 30" Glide Rail	NWS	6551726	141 879WS	3.1	\$779.00
Professional, Hand Spray Push Button, White Plastic, 2.50 gpm, Metal Hose, 18" Glide Rail	P	6551735	141 837N	2.5	\$595.40
Professional, Hand Spray Push Button, White Plastic, 2.50 gpm, Metal Hose, 24" Glide Rail	7	6551733	141 318N	2.5	\$595.40
Professional, Hand Spray Push Button, White Plastic, 1.80 gpm WaterSense®, Metal Hose, 24" Glide Rail	7WS	6551734	141 318WS	2.5	\$595.40
Deluxe, Hand Spray 5 Setting, CP Plastic, 2.50 gpm, Metal Hose, 24" Glide Rail	6	6551727	141 163N	3.2	\$932.00
Deluxe, Hand Spray 5 Setting, CP Plastic, 1.80 gpm WaterSense®, Metal Hose, 24" Glide Rail	6WS	6551728	141 163WS	3.2	\$932.00
Deluxe, Hand Spray 5 Setting, CP Plastic, 2.50 gpm, Metal Hose, 30" Glide Rail	3	6551729	141 919N	3.3	\$1,117.00
Deluxe, Hand Spray 5 Setting, CP Plastic, 1.80 gpm WaterSense®, Metal Hose, 30" Glide Rail	3WS	6551730	141 919WS	3.3	\$1,117.00
Low Flow (1.5 gpm), Hand Spray Pause, 4 Setting, CP Plastic, Metal Hose, 24" Glide Rail, WaterSense®	M	6551732	141 152FL	3.2	\$904.80
Low Flow (1.5 gpm), Hand Spray Pause, 4 Setting, CP Plastic, Metal Hose, 30" Glide Rail, WaterSense®	L	6551731	141 150FL	3.3	\$1,025.00
Standard Hand Sprayer, Push Button, CP Plastic, 2.50 gpm	—	6551736*	141161AN	0.21	\$157.10
Standard Hand Sprayer, Push Button, CP Plastic, 1.80 gpm, WaterSense®	—	6551741*	141161AWS	0.21	\$157.10
Professional Hand Sprayer, Push Button, White Plastic, 2.50 gpm	—	6551746*	141318AN	0.21	\$172.00
Professional Hand Sprayer, Push Button, White Plastic, 1.80 gpm, WaterSense®	—	6551747*	141318AWS	0.21	\$172.00
Deluxe Hand Sprayer, 5 Setting, CP Plastic, 2.50 gpm	—	6551743*	141163AN	0.44	\$507.40
Deluxe Hand Sprayer, 5 Setting, CP Plastic, 1.80 gpm, WaterSense®	—	6551744*	141163AWS	0.44	\$507.40
Low Flow Hand Sprayer w/Pause, 4 Setting, CP Plastic, 1.50 gpm, WaterSense®	—	6551745*	141150AN	0.45	\$188.50
18" Glide Rail with Adjustable Cradle	—	6551748*	141163EN	0.63	\$467.50
24" Glide Rail with Adjustable Cradle	—	6551740*	141163DN	0.67	\$502.50
30" Glide Rail with Adjustable Cradle	—	6551742*	141731N	0.79	\$622.60
60" Stainless Steel Hose	—	6551737*	141161BN	0.56	\$261.80
Swivel Connector	—	141161C*	141161C	0.30	\$141.50
Wall Mount, 3-Position w/Screws & Plugs, 2/Kit	—	6551738*	141161DN	0.04	\$98.60
Supply Elbow, CP Plastic Cover, Brass 1/2" NPT	—	6551739*	141320N	0.42	\$136.30
Quick-Release Hose Coupling (Quick Disconnect)	—	141804A	141804A	0.40	\$224.70

\*Parts Discount Applies

A WATTS Brand



Q



R



S



T



U

### Tub Spouts

Diverter, Chrome-Plated Brass, 3/4" IPS	Q	<b>141 159</b>	1.2	\$218.30
Non-Diverter, Chrome-Plated, 1/2" IPS	R	<b>141 171</b>	0.4	\$97.70
Diverter, Chrome-Plated, 1/2" IPS	S	<b>141 349</b>	0.7	\$116.90
Diverter, Chrome-Plated Brass, 1/2" IPS	T	<b>141 350</b>	1.3	\$201.10
Diverter, Chrome-Plated, 1/2" Slip-fit	U	<b>141 409</b>	1.0	\$127.80



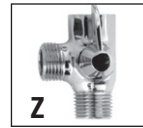
**141600B**



**141600E**



**141600F**



**Z**

### Diverter

Concealed Diverter Valve, 3-Port, 1/2" Sweat, Metal Handle	Y	<b>141600B</b>	2.0	\$479.40
Concealed Diverter Valve, 3-Port, 1/2" Sweat, Deluxe ABS Handle	A	<b>141600E</b>	3.0	\$511.50
Concealed Diverter Valve, 3-Port, 1/2" Sweat, Deluxe Metal Handle	B	<b>141600F</b>	3.0	\$526.60
Exposed Diverter, 3-Port, Shower Arm-Type	Z	<b>141 700</b>	0.5	\$153.80



**V**



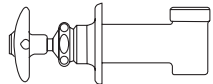
**W**



**043834A**

### Vacuum Breakers

Wall-Mounted Vacuum Breaker, Chrome-Plated Finish, Elevated	V	<b>131 258</b>	2.0	\$673.20
In-Line Vacuum Breaker	W	<b>141 319</b>	0.4	\$104.10
Vacuum Breaker, 1/2" NPT Outlet, Wall Mount, Polished Chrome	—	<b>131 970</b>	1.8	NLA
Vacuum Breaker, 1/2" NPT Bottom Inlet, 1/2" NPT Side Outlet, Polished Chrome	—	<b>043834A</b>	—	NLA



**975 170**

### Volume Control Valves

Concealed, 1/2" IPS		<b>975 170</b>	1.0	\$779.00
Showerhead Volume Regulator*		<b>141 305</b>	0.5	NLA



**8943709**



**8943928**



**8943897**

### Dial Thermometers

#### For mounting with HydroGuard systems:

Flush-mounted Thermometer with 3-Color Dial, Piping Manifold, and Stainless Escutcheon. 0 to 200°F		<b>131 251</b>	2.0	\$1,054.00
--	--	----------------	-----	------------

#### Thermometers with Bulb for Liquid Exposure:

3-Color Dial, 1-1/16" Bulb. Scale is 0 to 200°F (-20 to 90°C)		<b>8943709</b>	0.5	\$572.10
3-Color Dial, Horizontal Bulb. Scale is 0 to 200°F (-20 to 90°C)		<b>8943928</b>	1.0	\$595.40
Black Dial, 1-7/8" Bulb. °F Scale. 30 to 130°F		<b>8943897</b>	1.0	\$572.10
Combination Thermometer, 1/2" T/P Thermometer. 0 to 200 psi, 60 to 320°F		<b>131 123</b>	0.5	\$416.80

### Metering Valve

Metering Valve - Shower		<b>141 820</b>	3.6	\$2,032.00
-------------------------	--	----------------	-----	------------

\*Parts Discount Applies

### A WATTS Brand

To determine the price of a complete #11 Regulator, add the price of the desired lower housing (below) to the price of the desired thermal system (page 38)

595

#### Lower Housing

Determine the order code from the lower housing assembly code chart (below). Eliminate the 590 prefix when ordering a complete regulator

#### Thermal system

Determine the order code from the thermal system code chart (page 38). Eliminate the 700 prefix when ordering a complete regulator

### #11 Lower Housing Assemblies

590

Seat	Packing	Valve Type		Order Code
		Body	Trim	
Single Comp	EP (Heating)	Bronze	Bronze	<b>CD</b>
Single	TFE (H) EP (C)	Bronze	Stainless	<b>ST</b>
Double	EP (H&C)	Bronze	Bronze	<b>DB</b>
Double	TFE (H) EP (C)	Bronze	Stainless	<b>DS</b>
Mixing	EP (Mixing)	Bronze	Bronze	<b>WM</b>

Size	Style					Order Code
	CD	ST	DB	DS	WM	
1/2" A	-	-	-	-	-	A50
1/2" B	-	-	-	-	-	B50
1/2" C	-	-	-	-	-	C50
1/2" D	-	-	-	-	-	D50
1/2"	\$3,041.00	\$3,307.00	-	-	-	050
3/4"	\$3,134.00	\$3,455.00	-	-	\$3,681.00	075
1"	\$3,942.00	\$4,315.00	\$4,770.00	\$6,295.00	\$3,984.00	100
1-1/4"	\$4,590.00	-	\$5,388.00	\$6,863.00	\$4,643.00	125
1-1/2"	\$5,310.00	-	\$6,203.00	\$8,135.00	\$5,362.00	150
2"	-	-	\$8,405.00	\$11,009.00	\$7,138.00	200

**Pricing:** To determine the list price and availability of the selected lower housing, locate the size and style desired in the chart above. The number corresponding to your selection is your list price. If a list price is not shown for your selection, then your selection is not available in the size and style chosen.

#### Valve Action

Heating (not available in WM body style) . . . . . H  
 Cooling (not available in type CD and WM body style) . . . . . C  
 Mixing (WM only) . . . . . M

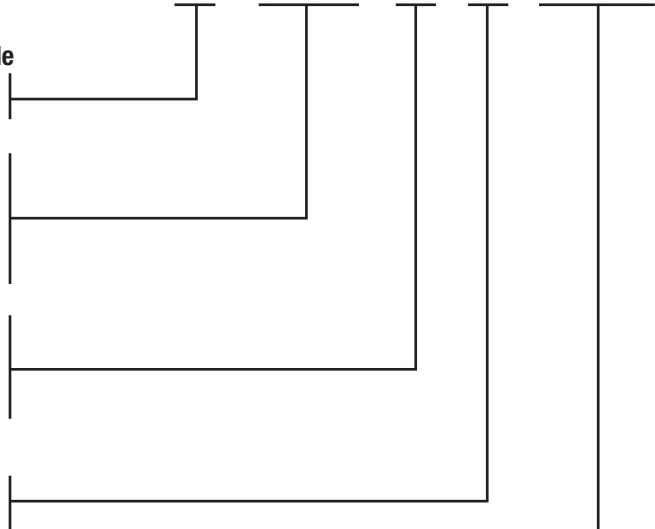
#### Order Code

**Note:** These products are made to order and are not returnable or subject to credit.

A WATTS Brand

	Price	Order Code
<b>Bulb and Capillary Material</b>		
Copper (with 8" capillary) . . . . .	\$3,285.00	<b>C</b>
Stainless Steel (with 8" capillary) . . . . .	\$6,335.00	<b>*S</b>
<b>Capillary Length</b>		
8' . . . . .	N/C	<b>08</b>
15' (copper) . . . . .	\$717.90	<b>15</b>
15' (stainless steel) . . . . .	\$1,128.00	<b>15</b>
30' (copper) . . . . .	\$1,025.00	<b>30</b>
30' (stainless steel) . . . . .	\$2,967.00	<b>30</b>
<b>Bulb Style</b>		
Fixed Union . . . . .	N/C	<b>D</b>
No Pipe Fittings . . . . .	N/C	<b>*J</b>
Adj. Union . . . . .	\$705.20	<b>A</b>
D Vertical . . . . .	NLA	<b>V</b>
<b>•All other bodies</b>	N/C	
Non-Indicating . . . . .	N/C	<b>N</b>
Indicating . . . . .	\$662.30	<b>I</b>

700



**\*Note: Stainless Steel J Bulb Style NLA**

**Range/Bulb Size Code (two-digit codes below)**

All ranges/bulb sizes listed below are **no charge**. Select range with setpoint in **upper third** for best performance. Consult factory for ranges/bulb sizes not listed.

**Temperature Ranges  
Single or Double Seat Valves  
Sizes 1/2" through 2"**

Range/Bulb Size Codes	Heating D.A.	Cooling R.A.	Water Mix 1/2" to 2"
01	10° to 70°F	0° to 60°F	10° to 60°F
1" x 20" 02	55° to 115°F	45° to 105°F	55° to 115°F
Bulb 03	85° to 145°F	70° to 130°F	80° to 140°F
		90° to 150°F	100° to 160°F
04			
05	110° to 170°F	110° to 150°F	110° to 160°F
06	NLA		
1" x 9" 07	NLA	NLA	NLA
Bulb 08	NLA	NLA	NLA
	NLA	NLA	NLA
	NLA	NLA	NLA
	NLA	NLA	NLA
11	NLA	NLA	NLA

**Temperature Ranges  
Double Seat  
Valve Sizes 2 -1/2" through 4"**

Range/Bulb Size Codes	Heating D.A.	Cooling R.A.	Water Mix
12	10° to 70°F	0° to 60°F	Not applicable
1-1/4" 13	55° to 115°F	45° to 105°F	
x 24" 14	85° to 145°F	70° to 130°F	
Bulb 44		90° to 150°F	
15	110° to 170°F		Not applicable
16	NLA		
1" x 20" 17	NLA	NLA	Not applicable
Bulb 18	NLA	NLA	
	NLA	NLA	
	NLA	NLA	
	NLA	NLA	
21	NLA	NLA	

### #11 Accessories

#### Wells

Bulb Size	Chrome-Plated Copper		Stainless Steel	
	Part No.	Price	Part No.	Price
1" x 9"	709 193	\$525.50	808 478	\$1,748.00
1" x 20"	709 075	\$740.80	808 475	\$1,966.00

#### Stem Lubricator

(not recommended for steam packing)

Part No.	Price
590184A	\$249.10

**Note: Thermal systems are made to order (MTO) and are not returnable or subject to credit.**

A WATTS Brand

593

	□	□	□	□	□	□	□	□	□	□	□	□	□
<b>Valves</b>													
High Performance 2-way . . . . .	<b>SS</b>												
Economy 2-way . . . . .	<b>SD</b>												
Mixing . . . . .	<b>WM</b>												
High Capacity													
Balanced 2-way . . . . .	<b>DB</b>												
Precision Low Flow. . . . .	<b>VE</b>												
<b>Size . . . . . Order Code</b>													
1/2" (VE only) . . . . .	<b>A50-D50</b>												
1/2" (others)* . . . . .	<b>.050</b>												
3/4" . . . . .	<b>.075</b>												
1" . . . . .	<b>.100</b>												
1 1/4" . . . . .	<b>.125</b>												
1 1/2" . . . . .	<b>.150</b>												
2" . . . . .	<b>.200</b>												
<b>End Connections</b>													
Screwed . . . . .	<b>S</b>												
<b>Valve Trim</b>													
Stainless (DB, SS, VE) . . . . .	<b>S</b>												
Bronze w/Ep (DB, SD, WM) . . . . .	<b>B</b>												
Bronze w/ Teflon (WM) . . . . .	<b>T</b>												
<b>Action</b>													
Fail Open (Air-to-Close) . . . . .	<b>X</b>												
Fail Closed (Air-to-Open) . . . . .	<b>C</b>												
Mix . . . . .	<b>M</b>												
<b>Packing</b>													
Teflon V-Ring . . . . .	<b>S</b>												
EP V-Ring . . . . .	<b>W</b>												

**ACCESSORIES  
SELECT CODE**  
(refer to next page)

**ACTUATOR  
SELECT CODE**  
(refer to next page)

\*Not available with WM & SD type body.

**Note: These products are made to order (MTO) and are not returnable or subject to credit.**

A WATTS Brand

## Valve Body Prices

### SS

Size Code	Body Style/Valve Trim	Price
050	Screwed-NPT, 17-4 SS	\$2,880.00
075	Screwed-NPT, 17-4 SS	\$3,129.00
100	Screwed-NPT, 17-4 SS	\$3,364.00

Size Code	Body Style/Valve Trim	Price
125	Screwed-NPT, 17-4 SS	\$4,515.00
150	Screwed-NPT, 17-4 SS	\$4,993.00
200	Screwed-NPT, 17-4 SS	\$7,563.00

### SD

Size Code	Body Style/Valve Trim	Price
075	Screwed-NPT, Bronze	\$1,987.00
100	Screwed-NPT, Bronze	\$2,337.00
125	Screwed-NPT, Bronze	\$2,841.00

Size Code	Body Style/Valve Trim	Price
150	Screwed-NPT, Bronze	\$3,197.00
200	Screwed-NPT, Bronze	\$4,199.00

### WM

Size Code	Body Style/Valve Trim	Price
075	Screwed-NPT, Comp. Disc	\$2,810.00
075	Screwed-NPT, Teflon	\$3,150.00
100	Screwed-NPT, Comp. Disc	\$3,150.00
100	Screwed-NPT, Teflon	\$4,149.00
125	Screwed-NPT, Comp. Disc	\$4,149.00

Size Code	Body Style/Valve Trim	Price
125	Screwed-NPT, Teflon	\$2,951.00
150	Screwed-NPT, Comp. Disc	\$3,308.00
150	Screwed-NPT, Teflon	\$3,308.00
200	Screwed-NPT, Comp. Disc	\$4,357.00
200	Screwed-NPT, Teflon	\$4,357.00

### DB

Size Code	Body Style/Valve Trim	Price
100	Screwed-NPT, Bronze	\$5,063.00
100	Screwed-NPT, 316 SS	\$7,104.00
125	Screwed-NPT, Bronze	\$7,552.00
125	Screwed-NPT, 316 SS	\$10,807.00

Size Code	Body Style/Valve Trim	Price
150	Screwed-NPT, Bronze	\$5,317.00
150	Screwed-NPT, 316 SS	\$7,459.00
200	Screwed-NPT, Bronze	\$7,930.00
200	Screwed-NPT, 316 SS	\$11,348.00

### VE

Size Code	Body Style/Valve Trim	Price
A-D50	Screwed-NPT, 300/400 SS	\$2,854.00

## Actuator Select Code

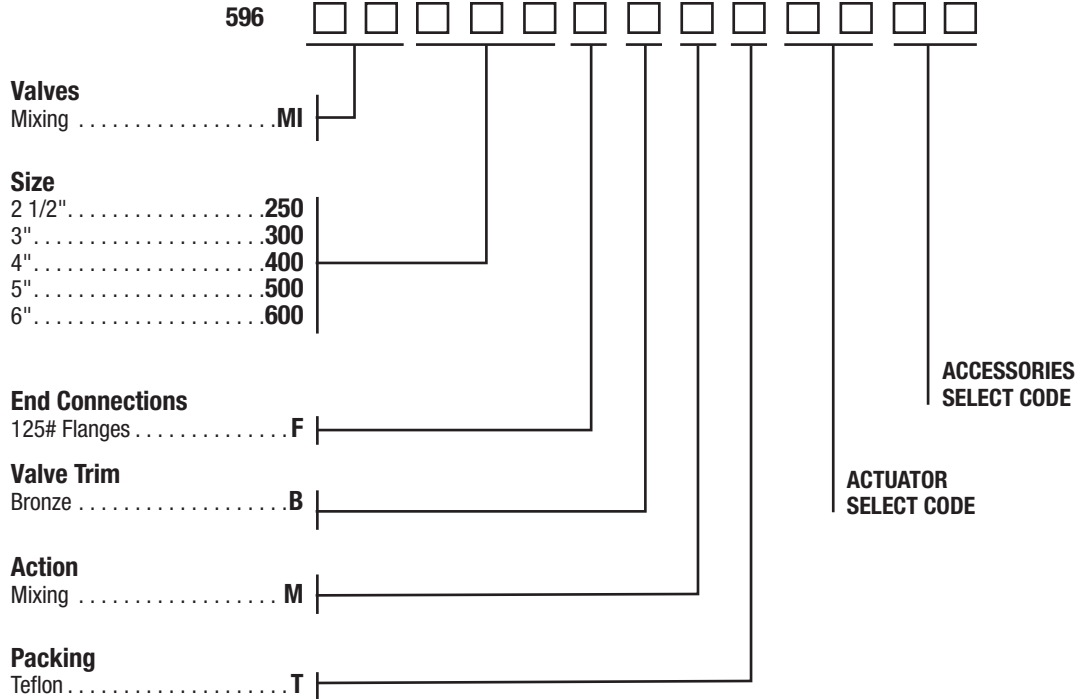
CODE	PNEUMATIC DIAPHRAGM ACTUATORS	PRICE
46	46 Sq. In. 1"Max Valve Stroke w/Standard Springs adjustable start w/6-12 lb. Fixed Span	\$2,082.00
4X	46 Sq. In. 1"Max Valve Stroke w/Extended Springs (Requires Positioner), adjustable start w/22 lb. Span	\$2,858.00
4C	46 Sq. In. 1"Max Valve Stroke Extreme Cycle Springs adjustable start w/6-12 lb. Fixed Span	\$2,858.00

## Accessories Select Code

CODE	DESCRIPTION	PRICE
	<b>Bellofram 1000 I/P'S</b>	
IS	3-15 psi	\$4,935.00
TS	1-17 psi	\$4,935.00
US	3-27 psi	\$4,935.00
	<b>CONTROL/AIR TYPE 900X I/P</b>	
ES	0-30 psi	\$6,361.00
	<b>UTILITY POSITIONER AND I/P</b>	
BS	4-20 mA	\$8,242.00
	<b>UTILITY POSITIONER</b>	
PS	3-15 psi	\$4,221.00
RS	3-9 psi	\$4,221.00
SS	9-15 psi	\$4,221.00
	<b>NO ACCESSORIES</b>	
OS	No Accessories	N/C

Note: These products are made to order (MTO) and are not returnable or subject to credit.

## A WATTS Brand



### Actuator Compatibility

2-1/2", 3", 4"	46" and 100" Diaphragm
5", 6"	100" Diaphragm

### Valve Body Prices

#### MI

Size Code	Body Style/Valve Trim	Price
250	125 lb. Flanges, Bronze	\$7,271.00
300	125 lb. Flanges, Bronze	\$8,646.00
400	125 lb. Flanges, Bronze	\$12,388.00
500	125 lb. Flanges, Bronze	\$17,828.00
600	125 lb. Flanges, Bronze	\$20,638.00

### Actuator Select Code

CODE	PNEUMATIC DIAPHRAGM ACTUATORS	PRICE
46*	46 Sq. In. 1"Max. Valve Stroke Stainless Steel Springs adjustable start w/6-12 lb. Fixed Span	\$2,082.00
4X*	46 Sq. In. 1"Max. Valve Stroke w/Extended Stainless Steel Springs (Requires Positioner), adjustable start w/22 lb. Span	\$2,858.00
1M	100 Sq. In; 5-10 psi Spring Range, (Mixing Valves)	\$6,934.00

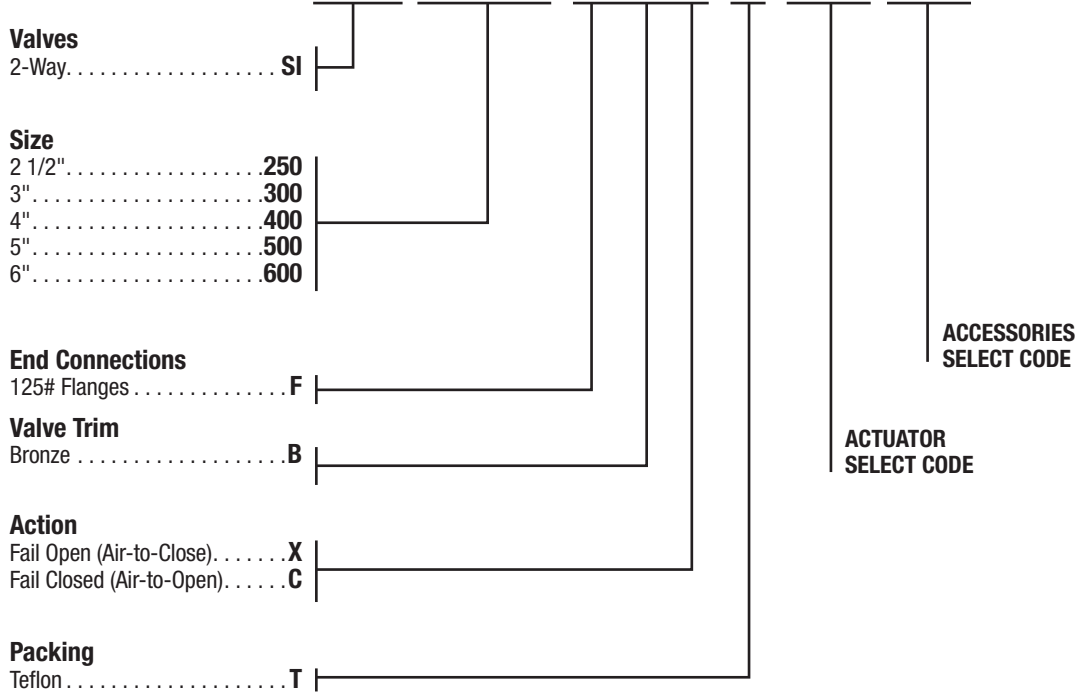
\*Not Available with 5" or 6" valve

### Accessories Select Code

CODE	DESCRIPTION	PRICE
	<b>Bellofram 1000 I/P'S</b>	
IS	3-15 psi	\$4,935.00
TS	1-17 psi	\$4,935.00
US	3-27 psi	\$4,935.00
	<b>CONTROL/AIR TYPE 900X I/P</b>	
ES	0-30 psi	\$6,361.00
	<b>UTILITY POSITIONER AND I/P</b>	
BS	4-20 mA	\$7,901.00
	<b>UTILITY POSITIONER</b>	
PS	3-15 psi	\$4,221.00
RS	3-9 psi	\$4,221.00
SS	9-15 ps	\$4,221.00
	<b>NO ACCESSORIES</b>	
OS	No Accessories	N/C

Note: These products are made to order (MTO) and are not returnable or subject to credit.

A WATTS Brand  
597



## Valve Body Prices

SI

Size Code	Body Style/Valve Trim	Price
250	125 lb. Flanges, Bronze	\$7,271.00
300	125 lb. Flanges, Bronze	\$8,646.00
400	125 lb. Flanges, Bronze	\$12,388.00
500	125 lb. Flanges, Bronze	\$17,828.00
600	125 lb. Flanges, Bronze	\$20,638.00

## Actuator Select Code

CODE	PNEUMATIC DIAPHRAGM ACTUATORS	PRICE
4C	46 Sq. In., 1" Max Valve Stroke Extreme Cycle Springs, adjustable start w/6-12 lb. fixed span.	\$2,082.00
1U (for 6" valve only)	100 Sq. In; 8-13 psi Spring Range, (Normally Closed Valves)	\$6,934.00
1L (for 6" valve only)	100 Sq. In; 3-8 psi Spring Range, (Normally Open Valves)	\$6,934.00

## Accessories Select Code

CODE	DESCRIPTION	PRICE
	<b>Bellofram 1000 I/P'S</b>	
IS	3-15 psi	\$4,935.00
TS	1-17 psi	\$4,935.00
US	3-27 psi	\$4,935.00
	<b>CONTROL/AIR TYPE 900X I/P</b>	
ES	0-30 psi	\$6,361.00
	<b>UTILITY POSITIONER AND I/P</b>	
BS	4-20 mA	\$8,242.00
	<b>UTILITY POSITIONER</b>	
PS	3-15 psi	\$4,221.00
RS	3-9 psi	\$4,221.00
SS	9-15 ps	\$4,221.00
	<b>NO ACCESSORIES</b>	
OS	No Accessories	N/C

Note: These products are made to order (MTO) and are not returnable or subject to credit.

**A WATTS Brand**  
**Unmounted Valve Accessories**

PRODUCT NUMBER	DESCRIPTION	PRICE
<b>UTILITY GRADE PNEUMATIC POSITIONERS</b>		
1473000D	1/8" - 3/16" Stroke Full Range	<b>4,707.00</b>
1473000C	1/4" - 3/8" Stroke Full Range	<b>4,707.00</b>
1473000	1/2" - 3/4" Stroke Full Range	<b>4,707.00</b>
1473000A	1" - 1 1/2" Stroke Full Range	<b>4,707.00</b>
1473000C	1/8" - 3/16" Stroke Split Range	<b>4,707.00</b>
1473000	1/4" - 3/8" Stroke Split Range	<b>4,707.00</b>
1473000A	1/2" - 1" Stroke Split Range	<b>4,707.00</b>
1420373	Positioner Output Pressure Gauge	<b>162.60</b>

<b>POSITIONER MTG. KIT</b>		
147301E	46" Act., Fail Open, 1/4" Stem	<b>297.20</b>
147302E	46" Act., Fail Close, 1/4" Stem	<b>297.20</b>
147301G	46" Act., 1/2" Stem	<b>297.20</b>
147301H	100" Act., 1/2" Stem	<b>297.20</b>

PRODUCT NUMBER	DESCRIPTION	PRICE
<b>UTILITY MTG. KIT I/P &amp; POSITIONER</b>		
593002E	46" Act., Fail Open, 1/4" Stem	<b>991.90</b>
593003E	46" Act., Fail Close, 1/4" Stem	<b>991.90</b>
593002G	46" Act., 1/2" Stem	<b>991.90</b>
593002H	100" Act., 1/2" Stem	<b>991.90</b>

<b>UTILITY I/P MTG. KIT</b>		
512118E	46" Act., Fail Open, (Dir.Act.)	<b>647.10</b>
512119E	46" Act., Fail Close (Rev.Act.)	<b>647.10</b>
590184A	Stem Lubricator (Type "W" Packing Only)	<b>249.10</b>
512118H	100" Act.	<b>647.10</b>

<b>BELLOFRAM 1000 I/P'S</b>		
512 015	3-15 I/P Transducer	<b>3,273.00</b>
512 117	1-17 I/P Transducer	<b>3,273.00</b>
512 027	3-27 I/P Transducer	<b>3,273.00</b>

<b>CONTROL/AIR TYPE 900X I/P</b>		
100 127	0-30 psi with Mounting Kit, 46" Act.	<b>5,361.00</b>
100127H	0-30 psi with Mounting Kit, 100" Act.	<b>5,515.00</b>

A WATTS Brand

## Accritem® Temperature Controller

Adjustable setpoint, 50° to 350°F.  
Complete with pressure gauges and fittings.

### Rigid Copper Bulb (1/2" NPT Pipe Fitting)

Model	Action	Order Code	Weight (in lbs.)	List Price
Air Operated	Direct	7441213	3	2,976.00
	Reverse	7441214	3	2,976.00
Water Operated	Direct	7441217	4	4,494.00
	Reverse	7441218	4	4,494.00

### Rigid Stainless Bulb (1/2" NPT Pipe Fitting)

Model	Action	Order Code	Weight (in lbs.)	List Price
Air Operated	Direct	7441270	4	4,153.00
	Reverse	7441271	4	4,153.00

### Accritem® Accessories

Description	Order Code	Weight (in lbs.)	List Price
Accessory Kit for Air or Gas	744 107	2	1,626.00
Socket Well—Copper	744 111	1	763.90
Socket Well—Stainless Steel	744 082	1	1,843.00
Valve and Seat Repair Kit	744 168	1	228.60

## Accritem® II Temperature Controller

Adjustable setpoint, dual scale: 0° to 300°F and 20° to 150°C.  
Complete with pressure gauges and fittings.

### Remote Copper Bulb (3/8" x 4" bulb, 4 ft. capillary)

Includes 3/8" NPT Compression Fitting

Model	Action	Order Code	Weight (in lbs.)	List Price
Air Operated	Direct	7441256	2	3,308.00
	Reverse	7441258	2	3,308.00

### Remote Stainless Bulb (3/8" x 4" Bulb, 10 ft. capillary)

Includes 3/8" NPT Compression Fitting

Model	Action	Order Code	Weight (in lbs.)	List Price
Air Operated	Direct	7441272	2	4,619.00
	Reverse	7441273	2	4,619.00

### Accritem® II Accessories

Description	Order Code	Weight (in lbs.)	List Price
Accessory Kit for Air or Gas	744 107	2.0	1,626.00

### A WATTS Brand

Part No.	Description	List Price
006 379	COPPER TUBING	100.30
030 041	FIL HD BR SCREW	11.60
030 066	SCREW, FIL HD BR	12.00
030 068	FIL HD BR SCREW	11.60
030 070	FIL HD BR SCREW	12.00
030 104	SCREW FIL HD BR	12.00
030 106	SCREW	11.60
030 109	FIL HD BR SCREW	11.60
030 126	FIL HD BR SCREW	11.60
030 211	10-32 X 3/8" SCREW	11.60
030 884	SCREW, ADJ. STOP 10-32 X 5/16"	11.60
030 885	SCREW FOR BONNET 10-32 X 1"	11.60
030 887	SCREW 10-24 X 9/16" LENGTH	12.00
030 889	SCREW	11.60
030 890	SCREW 10-24 X 3/4" LENGTH	12.00
030 895	SCREW	12.00
030542J	SCREW	12.00
030546J	SCREW	12.00
030884BP	SCREW, STAINLESS-BULK 50/KIT	103.90
030887BP	SCREW. QTY= 25	43.00
030889BP	SCREW- BULK 50/KIT	158.60
032 071	FL HD BR SCREW	11.60
032 072	FL HD BR SCREW	12.00
032465A	SCREW, 3/8-24 X 1/2" LG.	25.90
034 234	SCREW	12.00
034 377	SCREW, SET 10-32 X 3/8" STEEL	11.90
034 407	SCREW	12.00
034 413	SCREW 8-32 X 3/16"	12.00
034047G	SCREW, 6-32 X 5/16" -SERIES 460	12.00
034221G	OVAL PH HD SCREW	12.00
034223G	PHILLIPS HEAD SCREW	12.00
034224G	SCREW 8-32 X 1-1/4" LG	12.00
034510G	SCREW	12.00
034512K	SCREW, 8-32 X 1-1/4"	11.60
034515K	SCREW, 8-32 X 1/2" LG.	11.60
041 100	NUT, HEX BRS.	12.00
041 125	HEX BRS NUT	11.90
041 127	NUT, LOCK 1/4-28 BR.CHR.PLATE	10.50
041 142	HEX BRS NUT	11.90
041 226	NUT 3/8-16 BRASS OR ST. STL.	11.90
041167J	SCREW	12.00
041225K	NUT, SHAKEPROOF 5/16-18	11.90
042 672	BRASS NIPPLE 1/2"	33.50
042672A	NIPPLE	51.60
042672G	NIPPLE, 1-1/8" X 1/2"	43.40
043 342	PIPE PLUG, 2" BRASS	325.40
043 351	1/8" FEMALE BRASS PIPE TEE	47.20
043009C	THREAD PROTECTOR	12.00
043221G	REDUCING BUSHING	61.50

Part No.	Description	List Price
043401A	PIPE-TEE 1/2" POLISHED CHROME	119.10
043419A	3/4" THERM TEE ACCORN	208.10
043576G	ELBOW (420-100)	100.30
043810A	ESCUTCHEON PLATE	12.00
043819A	PIPE STRAP, POLISHED CHROME	194.40
044 045	ELBOW, STREET 90 DEGREE	13.20
046007K	LOCKWASHER, SHAKEPROOF	12.00
046008K	WASHER, SHAKEPROOF STEEL	12.00
046011J	WASHER, SHAKEPROOF	11.90
046164K	WASHER	12.00
047 002	O-RING	12.00
047 008	O-RING 5/16 X 7/16 X 1/16	12.00
047 010	O-RING	12.00
047 013	QUAD-RING 3/8 X 1/2 X 1/16	12.00
047 015	O-RING 11/16 X 7/8 X 3/32	12.00
047 020	RING	12.00
047 022	RING	12.00
047 025	O-RING 1-3/8 X 1-5/8 X 1/8	12.00
047 029	RING	12.00
047 031	RING	12.00
047 033	O-RING 1/2 X 5/8 X 1/16	12.00
047 034	O-RING 5/16 X 7/16 X 1/16	12.00
047 035	O-RING 2 X 2-1/4 X 1/8	12.00
047 036	RING	12.00
047 040	O-RING 3-3/8 X 3-5/8 X 1/8	12.00
047 043	QUAD RING 1/8 X 1/4 X 1/16	12.00
047 045	O-RING 1/4 X 3/8 X 1/16	12.00
047 047	RING	12.00
047 049	RING	11.40
047 108	O-RING	11.40
047 120	O-RING 7/8 X 1 X 1/16	12.00
047 125	QUAD RING	12.00
047 126	QUAD RING 3/8 X 1/2 X 1/16	12.00
047 128	O-RING 2-1/8 X 2-1/4 X 1/16	12.00
047 129	O-RING	12.00
047 130	O-RING 2-1/2 X 2-5/8 X 1/16	12.00
047 131	O-RING 1-3/16 X 1-5/16 X 1/16	12.00
047 132	O-RING 1-7/8 X 2 X 1/16	12.00
047015BP	O-RING, QTY= 25	44.70
047035BP	O-RING, QTY= 25	100.50
047128BP	O-RING- BULK ,QTY= 5, KIT	137.70
080 008	SCREW 8-32 X 2-1/4 BRASS	12.00
080 009	SCREW	12.00
080 011	SCREW 8-32 X 2"	12.00
080 013	SCREW 8-32 X 1 BRASS FLAT HEAD	12.00
080 026	SCREW 8-32 X 3-1/2 POL.CHR.PL.	12.00
080 029	SCREW,10-32 FLAT HEAD	12.00
080 032	SCREW 1/4"-20 X 5/8" LG	12.00
080 034	SCREW 1/4 X 20 X1 STAINLESS	11.90

## A WATTS Brand

Part No.	Description	List Price
080 037	SCREW, TRIM PLATE	12.00
080 041	SCREW 8/32, 1-1/4" LONG	12.00
080 042	SCREW 8/32 X 3 1/2 V/PROOF	22.40
080 053	6-32 X 1/4 LG ST STL SCREW	12.00
080 072	SCREW 10-32 X 2" LG	12.00
080 076	SET SCREW	11.60
080022A	SCREW	12.00
080026BP	SCREW, QTY= 25	201.00
080042A	V/P SCREW, 8 32 X 3/4	12.00
081 008	NUT, 5/16 18 X 19/64 X 9/16	11.90
082 005	WASHER 1" OD	12.00
082005R	WASHER	12.00
084 007	O-RING 1 3/8 X 1 1/2 X 1/16	12.00
084 008	O-RING 2 X 2 3/16 X 3/32	12.00
084 009	O-RING 2 9/16 X 2 3/4 X 3/32	12.00
084 010	O-RING 3 1/4 X 3 1/2 X 1/8	12.00
084 014	O-RING 5/8 X 3/4 X 1/16	12.00
084 015	O-RING	12.00
084 016	O-RING, SILICONE	12.00
084 020	O-RING	12.00
084 029	O-RING	12.00
084 030	O-RING	12.00
084 031	O-RING	12.00
084 032	O-RING	14.60
084 033	O-RING	12.00
084 041	O-RING	12.00
084 042	O-RING	12.00
084 045	O-RING	11.40
084033BP	O-RING, QTY= 25	260.90
087 126	SILICONE GEL CHEMPLEX 825	12.00
088 092	INSERTS, ROUGH IN	37.50
088 093	ROUGH IN, BOTTOM PAD	31.30
088 200	SET SCREW, 10 32 X .25 SS	12.00
089 003	WRENCH 3/32" SERVICE CR STL	12.00
089 004	WRENCH	12.00
0S19383	1" STEM EXT & DISK HOLDER ASSY	618.60
100 124	C WASHER SPRING TEMPER	12.00
100 140	WASHER .031 TH'K BRASS	12.00
100034A	WASHER BRIGHT NICKEL PLATE	12.00
105 058	HANDLE KIT 4"	45.00
105 059	HANDLE KIT 6"	89.20
105 060	CARTRIDGE KIT	250.60
105 061	BASE PLATE	89.20
105 062	BASE PLATE	118.50
105 064	SUPPLY TUBES	118.50
115 072	VALVE BODY	416.40
131 257	ESCUTCHEON, POLISHED	621.30
131 275	ILL. LOCK W/KEYS F/CABINETS FRO	325.40
131274A	KEY REPLACEMENT	56.20

Part No.	Description	List Price
141 000	KIT, 1/2" CHECKSTOP	150.90
141000A	KIT, 1/2" CHECKSTOP, PC	164.20
141001BP	SOFT PART & PLUNGER	533.00
141 006	SLIDING PIECE FOR #1 and #2 HANDSHOWER	117.80
141 313	FLANGE FOR 141 198 POL. CHROME	40.90
141 320	ELBOW W/FLANGE	127.80
141 620	HANDLE KIT, INLINE DIVERTER	50.30
141 621	STEM KIT INLINE DIVERTER	91.10
141 622	TRIM KIT, INLINE DIVERTER	147.30
141 651	CHECKSTOP ASSEMBLY	18.50
141 809	SHOWER MTD W/SPRING (141 163)	94.90
141 831	TIMER, SSAC INC SINGLE SHOT	1,337.00
141 832	ILLINOIS LOCK W/2 KEY	358.50
141 833	PUSHBUTTON SWITCH W/SCREW CON	245.60
141 839	CARTRIDGE ASSY METERING VALVE	883.70
141 843	RING, THERMOMETER	26.50
141166A	HOSE ASSY 18' W/SHAMPOO HEAD	1,427.00
141326B	1/2" ANGLE CHECK (S.J.)	161.60
141381F	SCREW (PKG OF 12)	60.60
141600A	TRIM KIT INLINE DIVERTER	203.10
141612B	INSERT, GRAPHIC	65.10
141741A	COLLAR REPAIR KIT DIVERTER VLV	203.10
141831A	TIMER SOCKET	141.90
141901N	SHOWERHEAD KIT	428.80
1420229	GAUGE, RECEIVER 1 1/2	287.70
1420373	POS. OUTPUT PRESSURE GAUGE	162.60
1420431	PRESSURE GAUGE	114.30
145 449	PLUG BUTTON ACRYLIC KNOB	12.00
147 122	TAKE OFF PLATE ST. STL. 46"	28.60
200 046	PIPE PLUG, 1/2" BRASS	28.50
200046G	PLUG 1/2" BRASS CHROME PLATE	39.60
220 050	METAL HANDLE KIT	108.40
220 051	METAL TRIM PLATE	172.20
220 052	ABS HANDLE KIT	95.20
220 053	ABS TRIM KIT	151.00
220 054	SLEEVE KIT	77.00
220 060	CARTRIDGE KIT	210.90
220 451	METAL UPGRADE KIT	424.50
220 452	ABS UPGRADE KIT	381.30
220 453	FLAT METAL UPGRADE KIT	490.30
225 073	SPRING, VALVE	12.00
225 350	H. CY. WRENCH KIT	481.90
225 404	HUVA CUP MODEL 8	12.00
225 444	BODY 1/2" ROUGH BRZ	660.10
225 445	BODY, BRIGHT CHROME 1/2"	712.30
225257A	SCREW, RETAINING HANDLE	12.60
225261A	MIXER CVR	161.60
225294A	LOCK RING	77.60
225404BP	HUVA CUP, QTY= 25	227.50

### A WATTS Brand

Part No.	Description	List Price
227 164	PLUG BUTTON	13.20
227 166	RETAINER (DIAL INSERT)	43.00
227 196	SLEEVE	37.50
227 197	WASHER	12.00
227 354	CONTROL KNOB	42.30
227166BP	RETAINER RING, QTY= 15	548.10
227354A	CONTROL KNOB PLASTIC	63.70
230 042	CHECK STOP L.H.	420.30
230 045	CHECKSTOP	420.30
230 065	GASKET 1 9/16 X 1/32 THK	12.00
230 079	STEM	45.90
230 081	STEM	50.20
230 083	GASKET	12.00
230 084	SCREEN	12.00
230 103	POPPET SPRING	12.00
230 104	SCREEN	34.40
230 116	SCREEN	26.00
230 117	UNION NUT	73.50
230 123	POPPET SPRING	12.00
230 127	POPPET SPRING	12.00
230 129	1/2" TRIPLE DUTY P	95.20
230 132	TRIPLE DUTY POPPET K	142.60
230 134	3/4" TRI DUTY SCREEN	142.60
230 135	3/4" TRIP DUTY POP	142.60
230 136	1-1/4" TRI DUTY SCRIN	213.90
230 137	1-1/4" TRI DUTY POPPET	213.90
230 147	VOLUME STEM	58.50
230 186	POPPET	39.60
230 193	RT HND CHECK BODY ROUGH BRONZE	151.70
230 223	VOLUME STEM EXTENSION	82.50
230 261	CHECK STOP ASSEMBLY	347.80
230 262	CHECK STOP ASSEMBLY	326.10
230 269	3/4" STEM PLAIN	92.40
230 271	3/4" POPPET ASSEMBLY	38.20
230 281	CHECK STOP ASSEMBLY	376.90
230 289	STEM ASSEMBLY	157.00
230 293	1-1/4" POPPET ASSEMBLY	74.40
230076A	BONNET	68.40
230078A	BONNET	88.10
230261M	3/4" ROUGH BRONZE CHECK STOP	655.90
230262G	CHECK STOP	740.80
230281M	1-1/4" ROUGH BRONZE CK STOPS	1,119.00
230282G	BRT CHROME CHECK STOP	1,247.00
390 001	MOTOR HOUSING	45.90
390 006	431 FUNNEL	42.60
390 010	ADAPTER, MOTOR	49.00
390 016	431 MOTOR REPLACEMENT KIT	826.00
390 017	432 MOTOR REPLACEMENT KIT	826.00
390 024	ADAPTER, MOTOR	90.90

Part No.	Description	List Price
390 026	ADJUSTMENT LOCKING SCREW	11.40
390 036	432 ACTUATOR REPLACEMENT KIT	721.60
390 037	431 ACTUATOR REPLACEMENT KIT	721.60
390 048	COMPRESSION SPRING,HELICAL	12.60
390 051	GASKET, MOTOR HOUSING	12.00
390 056	BUSHING 1" X 1/2" HEX	30.30
390 065	433 ACTUATOR REPLACEMENT KIT	900.70
390 066	434 ACTUATOR REPLACEMENT KIT	1,067.00
390 067	431 POPPET REPLACEMENT KIT	604.00
390 068	432 POPPET REPLACEMENT KIT	673.50
390 069	433 POPPET REPLACEMENT KIT	1,132.00
390 070	434 POPPET REPLACEMENT KIT	1,187.00
390 095	GASKET	17.30
390 144	MOTOR HOUSING CAP	221.90
390 155	RETURN SPRING	12.00
390 162	RETURN SPRING	14.90
390 198	GASKET, MOTOR HOUSING	12.00
390 201	MOTOR FAILURE SPRING	12.00
390 243	GASKET, MOTOR HOUSING	12.00
390 248	SPRING, MOTOR FAILURE N 125	12.00
390 254	ADJUSTMENT KNOB RETAINER	37.50
390 256	ADJUSTMENT KNOB RETAINER	51.90
390 294	431 HYDRO GASKET REP	142.60
390 298	432 HYDRO GASKET REP	142.60
390 302	433 HYDRO GASKET REP	213.90
390 306	434 HYDRO GASKET REP	227.50
390 342	ADJUSTMENT KNOB, ROUGH BEZ	119.10
390 468	434 POPPET KIT, PRIOR FEB '91	1,132.00
390 491	POPPET	182.90
390 500	432 HI/LO MOTOR REPL. KIT	665.30
390 504	MOTOR ADAPTER	91.10
390 505	MOTOR ADAPTER	45.90
390 507	WAX MOTOR	128.40
390 511	433 VALVE UPGRADE KIT	1,242.00
390 512	434 VALVE UPGRADE KIT	1,346.00
390 543	1434 MOTOR REPLACEMENT KIT	1,015.00
390 546	ADJUSTMENT SCREW	15.40
390 571	WRENCH	46.70
390 579	ACTUATOR REPLACEMENT KIT	152.20
390 580	CARTRIDGE REPLACEMENT KIT	349.60
390 581	GASKET'S O-RING KIT	33.10
390 619	ACTUATOR	162.60
390 620	SPRING	11.60
390 671	ACTUATOR	316.20
390 777	TEMPERATURE ADJUSTMENT SCREW	12.00
390 795	ADJUSTMENT LOCKING SCREW	12.00
390 800	CHECKSTOP REBUILD KIT	159.00
390 801	CHECKSTOP REBUILD KIT	184.30
390 802	PLUNGER KIT	42.80

### A WATTS Brand

Part No.	Description	List Price
390 803	PLUNGER KIT	47.40
390 804	SET SCREW	21.20
390 805	O-RING	12.10
390 806	O-RING	12.10
390 807	ACTUATOR	179.90
390 808	ACTUATOR	179.90
390 809	ACTUATOR	314.50
390 810	ACTUATOR	288.00
390 812	PLUNGER KIT	113.10
390 813	O-RING	12.10
390 814	ACTUATOR	837.40
390 815	ACTUATOR	901.70
390 816	PLUNGER KIT	116.90
390 826	FUNNEL KIT	293.20
390 827	FUNNEL KIT	329.90
390 828	FUNNEL KIT	380.60
390166A	SCREW, ADJ	21.40
390343A	ADJUSTMENT SCREW	12.00
400 023	SHUT OFF DISC	12.00
400 065	HARDWARE PACKAGE	11.60
400 066	HARDWARE PACKAGE	37.00
400 068	HARDWARE PACKAGE	27.70
400 078	HARDWARE PKG KIT	113.90
400023BP	SHUTOFF DISC BULK, QTY= 25	96.20
401 086	PLASTIC HANDLE	88.50
401 087	ESCUTCHEON, PLASTIC	76.50
401 093	INDICATOR LABEL	12.00
401 146	THROTTLING STEM MOLDED	12.00
401 161	RUBBER GASKET	12.00
401 162	BONNET MOLDED R/B 401162BP	59.00
401 165	MAX. TEMPERATURE STOP	12.00
401 175	BAL CHAMBER REPL KIT 400 & 410	250.60
401 176	STEM REPL KIT 400 HYDROGUARD MD4	72.40
401 177	SELECTOR DIAL	100.50
401 202	BAL. CHAMBER EXTRACTOR KIT	66.10
401 210	STRAINER CAP	12.00
401 218	MAX. TEMPERATURE STOP	12.00
401 229	ADHESIVE GASKET	12.00
401 230	DIAL ASSEMBLY	184.10
401 231	SELECTOR DIAL	69.80
401 253	SLEEVE	37.50
401 267	SLEEVE	21.00
401 278	STOP, ADJUSTABLE	12.00
401090A	PLUG BUTTON	12.00
401161BP	RUBBER GASKET BULK 25/KIT	98.50
401162BP	BONNET, QTY= 15	742.90
401230A	DIAL ASSEM KIT 400 HYD MD4	381.90
403 005	NUT ADJUSTMENT SCREW	12.00
403 007	PIPE PLUG BRASS	12.00

Part No.	Description	List Price
403005G	ADJUSTING SCREW NUT	11.60
410 138	SHUT OFF DISC SPG	12.00
410 145	WASHER, WAVY	12.00
410 146	GASKET	20.90
410 147	LIMIT STOP	12.00
410 157	VOLUME VALVE	12.00
410 182	SER 410 HYDRO GASKET REPL KIT	59.90
410 183	410 BAL CHAMBER REPL	241.40
410 191	HANDLE	191.00
410 195	PLUG BUTTON	14.90
410 203	COUPLING	15.40
410 233	STEM EXTENSION KIT	64.70
410 243	VALVE BODY MACHINED	298.40
410 248	BAL CHAMBR KIT 440 FOTOPL	269.90
410 284	GASKET	12.00
410 330	CHAMBER ASSEMBLY	73.50
410 339	RETAINER (FOR DIE, CAST DIAL)	25.90
410 346	BONNET	78.50
410 352	BONNET	246.70
410 365	LEVER HANDLE SCREW KIT (10)	39.60
410 366	O RING KIT, 047 020 QTY=.25	30.60
410 367	RETAINER KIT (10)	109.60
410 368	WASHER KIT ( 15 PER KIT )	52.20
410 369	WAVY WASHER KIT ( 10 PER KIT )	39.60
410 370	GASKET KIT (10)	50.60
410 371	SPLINED STOP 400 KIT (6)	59.90
410 372	VOLUME VLV KIT 410 (2)	49.30
410 374	DIAL INSERT STD	46.90
410 375	THROTTLING STEM ASSEMBLY	63.70
410 377	SUPPORT RING	32.70
410 378	STEM REPLACEMENT KIT	100.50
410 384	LEVER HANDLE KIT	142.60
410 389	DIAL ASSEMBLY KIT	321.70
410 393	PLASTIC BONNET (410 111)	52.70
410 396	BONNET KIT	157.00
410 413	DIAL 410	94.50
410 427	SPRING GUIDE FLOW RESTRICTOR	12.00
410 430	DIAL INSERT	28.50
410 440	BALANCE CHAMBER ASSEMBLY	161.60
410 442	410 GRAPHIC INSERT ASSEMBLY	49.20
410 445	STANDARD 410 DIAL ASSEMBLY GRAY	204.40
410 447	410 KNOB ASSEMBLY, ACRYLIC	100.70
410 448	410 LEVER ASSEMBLY	100.70
410 460	PLUG DIVERTER	88.90
410 565	TRI HANDLE KIT	194.80
410 570	SEAL KIT, OVER SIZE 410 INLET	49.30
410138BP	SHUTOFF DISC SPRING BULK, QTY=25	158.60
410375BP	STEM ASSY, QTY=15	902.20
410378A	STEM REPLACEMENT KIT	174.80

## A WATTS Brand

Part No.	Description	List Price
410427BP	FLOW RESTRICTOR 410, QTY= 25	157.00
420 034	VALVE ASSEMBLY	723.90
420 102	WASHER KIT	62.20
420 104	EYE BOLT	30.90
420 114	VALVE	326.80
420 124	TEMP STOP	11.40
420 128	VALVE ASSEMBLY	1,062.00
420 130	GASKET	12.00
420 143	VALVE ASSEMBLY	748.80
420 166	DIAL POLISHED FINISH	100.30
420 182	DIAL ASSEMBLY KIT	321.70
420 202	ROUGHING IN GUIDE	12.00
420 212	MAX. TEMP. STOP KIT (5)	66.10
420 213	LUCITE HANDLE INSERT KIT (2)	66.10
420 214	BONNET SCREW KIT (12)	57.00
420 215	HANDLE SCREW (4)	34.00
420 216	DIAL RETAINING SCREW KIT (20)	68.40
420 218	LEVER HANDLE SCREW KIT (10)	47.10
420 225	PLUG BUTTON KIT (4 PIECES)	78.90
420 230	HANDLE ASSEMBLY R/B 420 243	157.00
420 232	SLEEVE KIT	37.10
420 237	RAINBOW INSERT FOR 420	46.70
420 239	MOUNTING KIT	197.00
420 242	427 TRI HANDLE KIT	199.40
420 243	420 LEVER HANDLE KIT	161.60
420 300	KNOB ACRYLIC	46.70
420 308	GRAPHIC INSERT ASSEM, 420	50.80
420 314	PLUG BUTTON W/INSERTS	26.30
420 328	NAME PLATE TRIM	47.20
420 330	NAME PLATE & BASE PLATE ASSEMBLY	104.80
420 335	420 DIAL ASSEMBLY, GREY INSERT	204.40
420 336	420 LEVER ASSEMBLY	204.40
420 337	KNOB KIT 420, MODEL 8	204.40
420 356	420 LEVER ASSEMBLY	236.90
420 357	KIT, FULL UPGRADE MODELS 1-10 LCM	979.70
e420449	440 FOTOGUARD BODY ASSY	990.10
e420450	440 BODY ASY BR CHR MD7	1,464.00
420 451	KIT, FULL UPGRADE STD. MODELS 1-10	674.80
420 452	CARTRIDGE MODEL 1-10	116.30
420 453	WAX MOTOR KIT,STD. MODELS 1 10	151.50
420 454	BONNET KIT, MODELS 1 10	481.90
420 456	SEAL KIT, MODELS 1 10	28.00
420 481	PLASTIC KNOB KIT	142.60
420 495	410 LEVER HANDLE KIT	113.90
420 508	RING, PACK STOP BRASS MODEL 8	12.00
420 534	VALVE ASSEMBLY	563.40
420 578	PACKING GLAND	25.10
420 616	UPGRADE KIT, STD. TEMP.	437.40

Part No.	Description	List Price
420230A	419 LEVER HANDLE	133.00
420301E	HANDLE, LEVER CHROME PLATED	94.90
420308BP	GRAPHIC INSERT QTY= 15	613.60
420451C	KIT, HIGH CAPACITY CONVERSION, MOD. 1-10	674.80
420451H	KIT, FULL UPGRADE, HIGH TEMP. MOD. 1-10	674.80
420451L	KIT, FULL UPGRADE, LOW TEMP. MOD. 1-10	674.80
420452C	CARTRIDGE ASSEMBLY TYPE "H" CAP	116.30
420453H	WAX MOTOR HIGH TEMP. MOD. 1-10	151.50
420453L	WAX MOTOR LOW TEMP. MOD. 1-10	151.50
420508BP	PACKING RING, QTY= 25	227.50
427 017	CARTRIDGE ASSY.	174.70
H427017	CARTRIDGE ASSY.	230.50
427 019	BONNET ASSY.	253.00
427 200	UPGRADE KIT 427	706.60
427 201	UPGRADE KIT - LOW TEMP, 427	790.10
427 202	UPGRADE KIT - HIGH TEMP, 427	790.10
427 250	MOTOR KIT - STANDARD TEMP	300.20
427 251	MOTOR KIT - LOW TEMP	300.20
427 252	MOTOR KIT - HI TEMP	300.20
H427200	e427 UPGRADE KIT MODEL 1-3	706.60
H427202	e427 UPGRADE KIT HI TEMP.	791.50
430 016	TEMP ADJ LOCK SCREW KIT (10)	57.00
430 017	431 TEMP. ADJ. LOCKSCREW KIT	57.00
430 020	MAX. TEMP. ADJ. KIT	59.90
436 036	WASHER	12.00
440 034	VOLUME KNOB	82.50
440 035	VOLUME KNOB	59.10
440 041	DIAL	119.10
440 059	DIAL INSERT FOR FOTOGUARD	166.10
440 103	CONNECTOR	138.20
440 121	VOLUME STEM EXTENSION	198.70
440 125	SHUT OFF VALVE STEM EXT	48.90
440 145	ON OFF VALVE REPAIR KIT MDL5	94.50
440 151	SHUT OFF DISC	18.90
440 152	SHUT OFF DISC SPRING	12.00
440 154	SHUT OFF MANIFOLD	104.80
440 157	ADAPTOR	25.20
440 158	SPRING GUIDE	12.10
440 159	SHUT OFF STEM ASSEMBLY	166.30
440 160	SHUT OFF STEM ASSEMBLY	393.90
440 167	HANDLE SCREW	21.20
440 168	HANDLE SCREW	26.00
440 169	SHUT OFF HANDLE	48.90
440 170	VOLUME STEM EXTENSION	77.60
440 171	VOLUME STEM EXTENSION	184.40
440 172	VOLUME HANDLE	69.00
440 173	KNOB INSERT	161.60
440 175	440 CABINET	1,726.00

### A WATTS Brand

Part No.	Description	List Price
440 176	CABINET FOR FOTOPANEL	1,546.00
440 177	CONNECTOR	297.40
440 178	THERMOMETER MANIFOLD MOLD	147.30
440 205	ON OFF VALVE REPLACEMENT UNIT	523.60
440 207	DIAL POL FOR 440 208	199.40
440 212	NAME PLATE	23.70
440 223	QUAD RING KIT 440 FOTO (7)	59.90
440 231	BRACKET MOUNTING	184.40
440174A	FRONT PANEL	362.70
444 126	SCREWDRIVER ESP SHOWER	21.20
444 135	COVER KIT	23.70
444 142	JUNCTION BOX ASSEM	84.50
444 174	SOLENOID VALVE	731.00
444 183	SOLENOID REPAIR KIT	440.20
444 254	SOLENOID ADAPTER	74.70
444 260	SWITCH PIEZO	391.00
444 308	LOCK NUT, 1-3/8" 18	34.90
444 416	SWITCH PIEZO	400.50
445 102	BODY, STEAM & WATER MIXER	1,186.00
445 105	BONNET PLAIN	447.90
450 135	MOUNTING BRACKET	114.30
450 136	PIPE STRAPS	13.20
450 268	SOAP DISH HYDRO II	194.40
450 270	DIAL INSERT	59.10
450 271	SCREW. 8-32 X 1/2" POLISHED	12.00
450 272	SCREW DIAL INSERT V/P	30.90
450 274	SCREW	12.00
450 276	SCREW	14.90
450 277	GASKET, SHOWER HEAD BASE	12.00
450 295	BRACKET, MOUNTING	73.50
450 327	SHROUD EXTENSION 24" BRACKET	339.50
450 334	BRACKETS, MTG	118.90
450 356	COVER PLATE	311.50
450183B	BACK PLATE ASSEMBLY	397.50
450192RK	SLEEVE KIT	88.10
450267G	SHOWER HEAD BASE	379.10
450269G	CAP. END CHROME PLATE	109.60
450273A	SCREW	12.00
460 172	RED INDICATOR LIGHT	146.70
460 173	MINIATURE LAMP	30.60
460 231	CABINET DOOR ASSY	1,071.00
460 248	SWITCH, SELECTOR	487.70
460 323	TIMER W/KNOB & POTENTIOMETER	1,309.00
460053R	REBUILD KIT 1-1/2"	926.70
473 010	LEVER HANDLE	189.90
473 016	GASKET	14.60
473 021	CROSS	124.50
473 022	NUT COMP.	21.80

Part No.	Description	List Price
473 035	HANDLE KIT	218.10
473 037	KIT, STEM EXTENSION	166.30
473 045	INSTALLATION KIT	37.40
480 270	MOTOR REPLACEMENT KIT	70.00
590 088	VLV PKG KIT 200 PCS 591 490	2,083.00
590 131	BONNET	322.20
590 134	BONNET	303.00
590 140	BONNET	394.50
590 164	MOLYKOTE LUBRICANT	213.10
590 203	STEM EXTENSION	105.00
590 204	STEM EXT.	57.70
590 233	UNION TAIL PIECE	240.60
590 234	UNION NUT	110.80
590 328	STOP SLEEVE	70.00
590 329	STOP SLEEVE	325.40
590 462	STEM EXT SPACER	12.90
590 464	STEM EXT SPACER	28.60
590 487	1/2" VALVE BODY	240.60
590 488	VALVE BODY	362.70
590 567	1/2" POPPET	515.80
590 568	POPPET	578.20
590 569	POPPET	704.90
590 575	POPPET	362.70
590 584	VALVE BODY	362.70
590 585	VALVE BODY	362.70
590 604	STEM RETAINER	36.10
590 605	STEM RETAINER	114.30
590 606	STEM RETAINER	76.90
590 608	VALVE SEAT	84.60
590 610	VALVE SEAT	105.00
590 612	VALVE SEAT	132.70
590 623	DISC GUIDE	73.20
590 624	DISC GUIDE	28.60
590 650	POPPET	138.20
590 651	POPPET	114.30
590 664	POPPET	100.30
590 665	POPPET	147.30
590 666	R.A.POPPET	147.30
590 667	R.A.POPPET	147.30
590 668	VALVE BODY	383.90
590 684	VALVE SEAT	235.90
590 690	HLDR & STEM EXT ASY	526.60
590 691	HOLDR & STEM EXT ASY	526.60
590 692	COMP DISC/HOLDER/STEM EXT ASSY	605.00
590 693	STEM EXTENSION	90.90
590 743	STEM EXT & HLDR ASY	405.50
590 746	VALVE SEAT	107.60
590 748	VALVE SEAT	207.90

### A WATTS Brand

Part No.	Description	List Price
590 749	DISC HOLDER	114.30
590 756	DISC HOLDER	90.90
590 757	THRUST COLLAR	70.00
590 758	DISC GUIDE	56.40
590 759	DISC GUIDE	49.40
590 760	DISC GUIDE	41.80
590 762	SPACER	49.40
590 763	PACKING GLAND ASSY	57.60
590 775	DISC SLEEVE	70.00
590 779	STEM EXT & HLDR ASY	533.00
590 807	SPRING ADJM SCREW	70.00
590 813	SPG POSITION INDTR	12.00
590 815	PISTON PLATE WASHER	12.00
590 816	PISTON PL RTNING SCR	12.00
590 820	ADJUSTING ROD	10.50
590 821	SPRING	70.00
590 829	SPRING ADJM NUT ASY	90.80
590 859	LOWER HOUSING ASSY	363.70
590607A	RETAINING NUT STOP	63.20
590607B	RETAINING STOP NUT	63.20
590808B	STEM EXTENSION	21.40
591 692	3" DISC HOLDER ASSY	1,570.00
591 732	VALVE ASSEMBLY	2,482.00
591 733	VALVE ASSEMBLY	2,567.00
591 750	BODY, 3/4" VALVE, DIRECT ACTING	578.20
591 760	3/4" BONNET	354.60
591 762	1-1/4" BONNET	394.50
591 765	3/4" THROTTLING PLUG	105.00
591 766	1" THROTTLING PLUG	188.50
591 767	1-1/4" THROTTLING PLUG	188.50
591 768	1-1/2" THROTTLING PLUG	105.00
591 769	2" THROTTLING PLUG	213.10
591 770	3/4" VALVE DISC HOLDER	57.70
591 771	1" VALVE DISC HOLDER	151.70
591 772	1-1/4" VALVE DISC HOLDER	36.10
591 773	1-1/2" VALVE DISC HOLDER	114.30
591 774	2" VALVE DISC HOLDER	240.60
591 775	3/4" VALVE DISC	28.60
591 776	1" VALVE DISC	22.70
591 777	VALVE DISC	21.40
591 778	1-1/2" VALVE DISC	21.40
591 779	2" VALVE DISC	145.20
591 781	1" VALVE CAP	235.90
591 783	PACKING GLAND ASSEMBLY	93.00
591 786	STEM ASSEM 3/4" & 1" VALVES	338.10
591 789	1-1/4" VALVE STEM ASSEMBLY	338.10
591 790	1- 1/2" VALVE STEM	338.10
591 791	VALVE STEM ASSEMBLY	338.10
591 792	1-1/4" VALVE STEM	213.10

Part No.	Description	List Price
591 793	1-1/2" VALVE STEM	151.70
591 795	COLLAR	84.60
591 796	BEARING	21.40
591 797	BEARING	12.00
591 798	PACKING SPACER	60.40
591 802	STOP SLEEVE	174.80
591 803	STOP SLEEVE	90.90
591 903	VALVE DISC 2"	320.80
591 907	NUT DA	114.40
591 912	DA NUT	36.10
591 919	WASHER (1/2" TO 1")	12.00
591 920	PACKING SPRING (1/2" TO 1")	12.00
591 921	PACKING ASSEMBLY (1/2" TO 1")	84.60
591 922	SPACER (1/2" TO 1")	18.90
591 923	WASHER (1-1/4" TO 2")	12.00
591 924	PACKING SPRING (1-1/4" TO 2")	12.00
591 925	PACKING ASSEMBLY (1-1/4")	230.20
591 926	SPACER (1-1/4" TO 2")	12.00
591 927	STEAM SERVICE PKG KIT	205.50
591 928	STEAM SERVICE PACKING KIT	230.20
591 949	POPPET 1-1/4" S.S.	497.20
591 950	1-1/2" S S POPPET DIRECT & REV	634.80
591 951	2" S S POPPET DIRECT & REV	757.70
591 957	PACKING SET FOR FLOWWRITES	47.80
591 958	CHEVRON PKG	70.00
591 974	VALVE REPAIR/REBUILD KIT	868.20
591 975	REBUILDING KIT	1,537.00
591 980	VLV REBUILD/REPAIR KIT WM	1,573.00
591922A	SPACER	17.25
593002E	MTG.KIT I/P & POS., 46" ACT.	991.90
594 080	PACKING SET TFE 1/4" DIA. STEM	105.00
594 081	PACKING SET TFE 3/8" DIA. STEM	105.00
594 090	PACKING SET EP 1/4" DIA. STEM	42.50
594 091	PACKING SET EP 3/8" DIA. STEM	42.50
594 104	BONNET 1/2"	287.70
594 106	CAP 1/2"	151.70
594 107	VALVE SEAT 1/2"	213.10
594 118	WASHER FOR 1/4" DIA. STEM	12.00
594 119	WASHER FOR 3/8" DIA. STEM	12.00
594 126	BONNET, MACHINED 3/4" & 1"	287.70
594 129	VALVE SEAT FOR REPAIR ONLY	254.80
594 137	BONNET	344.20
594 140	VALVE SEAT 1-1/4" N.C.	262.90
594 152	BONNET 2"	475.50
594 155	VALVE SEAT	292.40
594 157	PACKING NUT ASSEM. 1/4" STEM	57.60
594 158	PACKING NUT ASSEM. 3/8" STEM	68.40
594 170	PACKING RING	11.40
594 171	PACKING RING	12.00

### A WATTS Brand

Part No.	Description	List Price
594 194	CAP 3/4" & 1"	161.60
594 195	CAP 1-1/4" & 1-1/2"	213.10
594 196	CAP 2"	240.60
594 220	WATER SERVICE PACKING KIT 1/4"	114.40
594 221	WATER SERVICE PKG KIT 3/8"	165.90
594 251	LOCK NUT	108.30
594 289	WATER PACKING KIT FOR 1" VALVE	95.30
594 290	WATER PACKING KIT 3/8" 4 SETS	93.00
594 354	2" BRONZE POPPET ASSEMBLY	651.70
594 370	GASKET 5" KECKLEY VALVE	344.20
594 451	2" VALVE BODY RA	1,129.00
594 456	2" BONNET	363.70
594 457	BONNET	507.80
594 466	VALVE CAP 2"	235.90
594 467	1" BONNET	230.20
594 468	BONNET	445.90
594 470	VALVE CAP 1-1/2"	188.50
594 472	CAP 1-1/2"	114.40
594 475	VALVE SEAT 1-1/2"	207.90
594 477	1-1/2" VALVE BODY	757.70
594 478	VALVE BODY	753.70
594 479	1-1/2" BONNET	507.80
594 481	1-1/2" BONNET	310.50
594 488	1-1/4" RA 3 WAY VALVE	466.70
594 489	VALVE BODY	477.40
594 490	1-1/4" D.A. VALVE BODY	371.50
594 499	BONNET	222.60
594 500	1" VALVE BODY, R.A. 3 WAY	339.50
594 501	1" VALVE BODY	532.00
594 504	1" CD VALVE BODY	475.50
594 505	BODY	306.40
594 506	BODY	415.30
594 513	VALVE SEAT 1"	213.10
594 515	YOKE & BRIDGE ASSEMBLY BLUE	105.00
594 542	BODY & SEAT ASSEMBLY	1,049.00
594 549	1-1/4" N.O. STEM ASSEMBLY	532.00
594 550	STEM ASSY 1-1/2"	569.40
594 551	2" N.O. STEM ASSY	574.20
594 568	BODY & SEAT ASSEMBLY	743.10
594 570	1/2" N.O. VALVE STEM ASSEMBLY	400.50
594 571	VALVE STEM ASSEMBLY N.O.	532.00
594 572	N.O. VALVE STEM ASSEMBLY (1")	475.50
594 819	STEM ASSEMBLY	105.00
594813A	STEM ASSEMBLY	151.70
594814D	STEM ASSEMBLY	156.40
594814H	STEM ASSEMBLY	156.40
594815A	STEM ASSEMBLY	151.70
594816E	STEM ASSEMBLY	151.70
594816F	STEM	151.70

Part No.	Description	List Price
594817A	STEM ASSEMBLY	151.70
594818A	STEM ASSEMBLY	151.70
595 496	PARTS KIT #11 REG	47.10
595 499	NAME PLATE	12.00
595 501	INNER SPRING #11 LOWER HOUSING	28.60
595 502	OUTER SPRING #11 LOWER HOUSING	42.50
595 503	SPRING GUIDE WASHER #11 REG.	12.00
596 150	DIAPHRAGM	383.90
596 151	ROLLING DIAPHRAGM	874.70
601 004	UNION NUT 1/2"	63.60
601 005	UNION TAIL PIECE 1 5/16" DIA.	36.10
601 010	SPACER BUSHINGS	25.00
601 016	1/2" BODY ASSEM	508.80
601 019	STEM HEAD RETAINER 1/2" R.A.	138.20
601 090	VALVE STOP REVERSE ACTING	90.90
601 091	VALVE STOP REVERSE ACTING	63.60
601 092	VALVE STOP REVERSE ACTING	70.00
601 093	VALVE STOP REVERSE ACTING	147.30
602 004	UNION NUT FOR 3/4" VALVE R.A	57.70
602 005	UNION TAIL PIECE 3/4" VALVE	49.40
603 003	1" POPPET	499.00
603 012	STEM HEAD RETAINER BALANCED VALVES	12.00
604 003	POPPET	532.00
605 003	POPPET	532.00
609 003	UNION TAIL PIECE 1" BALANCED VALVES	105.00
609 004	UNION NUT 1" BALANCED VALVES	84.60
609 009	SPACER BUSHING	28.60
609 019	SPACER BUSHING	28.60
609 021	SPACER BUSHING	90.90
609019A	SPACER BUSHING	18.90
609019B	SPACER BUSHING	40.20
609019C	STOP SLEEVE	12.00
610 003	UNION TAIL PIECE 1-1/4" VALVE	165.90
610 004	UNION NUT 1-1/4" BAL. VALVE	147.30
611 003	UNION TAIL PIECE 1-1/2" VALVE	188.50
611 004	UNION NUT	151.70
612 049	UPPER POPPET SEAT 2" BAL. VALVE	383.90
612 051	LOWER POPPET SEAT 2" BAL. VALVE	383.90
612 100	STEM HEAD RETAINER	70.00
628 008	LOCKNUT 1-3/8" HEX. VALVE BONNET	32.50
653 002	DISC HOLDER	105.00
653 003	DISC HOLDER	327.40
653 004	DISC HOLDER	327.40
653 005	DISC HOLDER	301.60
653 062	DISK	151.70
653 063	VALVE DISC 3/4" TEFLON	381.20
653 064	DISC	322.30
653 163	DISC	140.10
653 164	DISC	100.30

## A WATTS Brand

Part No.	Description	List Price
653 213	TEFLON VALVE DISC	349.10
653 214	1-1/4" TEFLON DISC	208.70
653 215	TEFLON DISC	203.20
653 216	TEFLON DISC	224.60
653 220	3/4" TEFLON DISC	127.80
653 225	VALVE DISC, 3/4"	17.30
653 226	VALVE DISC, 1"	20.90
653 227	VALVE DISC, 1-1/4"	23.70
653 228	VALVE DISC, 1-1/2"	31.50
653 229	VALVE DISC, 2"	34.90
654 009	DISC RETAINER NUT	52.70
654 010	DISC RETAINER NUT	126.50
654 011	DISC RETAINER NUT	42.60
654 012	DISC RETAINER NUT	105.00
654 016	STEM RETAINER	22.40
654 017	STEM RETAINER	16.60
654 019	STEM RETAINER	19.70
656 311	STEM HOLDER & DISC ASSEMBLY	598.30
656 527	CAP	126.60
656 528	3/4" VALVE CAP	105.00
672 615	FLOWRITE ACTUATOR LARGE SPRING	42.50
672 626	DIAPHRAGM, ACTUATOR	231.60
672 627	ACTUATOR THRUST PLATE	105.00
672 636	FR ACTUATOR STEM, DA, 1/4" TH'D	194.40
672 641	BEARING, STEM	12.00
672 642	SPRING	28.60
672 645	SPRING	86.30
672 646	SPRING	86.30
672 720	SCALE	49.00
672 721	SCALE 3/4 STROKE	56.20
672 722	SCALE	56.20
672 724	YOKE (PAINTED & MACHINED)	252.00
672618E	STEM BUSHING	119.10
672632A	TOP HOUSING	174.80
672633A	BOTTOM HOUSING PAINTED	161.60
672636A	FR ACTUATOR STEM, RA, 1/4 TH'D	194.40
672638B	WASHER INDICATOR	12.00
672723A	SCALE	21.80
700 424	GAUGE DIAL	21.40
700 713	HOUSING, #11 REG	114.40
705 005	1" TANK FTG	65.50
705 006	1-1/4" TANK FTG	272.20
708 036	STEM HEAD RETAINER	70.00
709 075	WELL ASSEMBLY	740.80
709 166	BELLOWS STOP	12.00
744 061	STOP PIN	10.50
744 062	GUIDE BUSHING	12.00
744 072	RESTRICTION SCREW	12.00
744 075	VALVE SPRING	12.00

Part No.	Description	List Price
744 078	ADJUSTING KNOB	28.60
744 082	WELL ASSEMBLY	1,843.00
744 083	GASKET	12.00
744 102	ACC KIT FOR ACCRITEM	378.70
744 124	SPG RETAINING SCREW	12.00
744 131	VALVE SEAT	62.80
744 134	RESTRICTOR SCREW	119.10
744 151	LEVER	93.00
744 154	LEVER PIVOT	12.00
744 163	VALVE	61.50
744 168	KIT	228.60
744 172	SENSITIVE TUBE ASSEMBLY	373.50
744 175	ADJUSTMENT SCREW	28.60
744 185	PLATE COVER JORDAN	82.50
744 191	SENSITIVE TUBE FOR SS ACCRITEM	1,517.00
744 202	BODY	354.60
744 205	COVER MOLDING	70.00
744 212	FOLLOWERS, POWER ELEMENT	18.90
744 213	VALVE SEAT	66.70
744 214	VALVE	84.60
744 215	SCREW, SPRING RETAINING	70.00
744 216	STEM, ADJUSTING	36.10
744 218	RESTRICTION SCREW	17.30
744 223	NAME PLATE	114.30
744 234	ADJ KNOB W/SCREW	57.70
744 254	ST BULB & CAP 7441272	1,730.00
744 283	SENSING ELEMENT, COPPER	344.20
744263A	PICK NAME PLATE	72.40
744263B	NAME PLATE, CELSIUS	70.00
800 005	BONNET	22.40
800 012	STEM ASSEMBLY, THROTTLING	18.30
800 020	GASKET	12.00
800 024	LIMIT STOP ASSEMBLY	59.00
800 030	SOFT COMPONENTS KIT	66.10
800 036	LEVER HANDLE KIT (1 SET)	87.30
800 040	FACEPLATE KIT, ROUND	218.10
800 050	WASHER	12.00
800 056	TEFLON GASKET	12.00
800 060	PLUNGER	12.00
800 061	PLUNGER DISC	12.00
800 063	O-RING	12.00
800 064	O-RING	12.00
800 075	COLOR INSERT FOR 800 ENGLISH	47.20
800 098	BILTMORE MODEL 1 & 2 REPAIR KIT W/LEVER	395.40
800 099	BILTMORE MODEL 1 & 2 REPAIR KIT W/KNOB	398.30
800 110	STEM EXT.	48.90
800 162	SCREW WITH PATCH	12.00
800 163	VALVE REPAIR KIT, SERIES 800	241.40
800 164	SCREW 8-32 X 5/8" LG	12.00

### A WATTS Brand

Part No.	Description	List Price
800 167	SCREW W/PATCH	12.00
800 168	SCREW 8-32 W/PATCH	12.00
800 183	ROUND DIAL FOR 800 BILTMORE	213.10
800 200	KIT, 800 ACRYLIC HANDLE	157.00
800032A	BILTMORE 800 STEM/BON REPL KIT	161.60
800164BP	SCREW W/PATCH BULK PACKED, QTY= 25	90.30
800310C	INTERNAL BALANCE CHAMBER KIT	194.80
900 012	THROTTLING STEM ASSEMBLY	29.00
900 014	WASHER, MIXING PLATE	12.00
900 015	BONNET	12.10
900 026	SPRING STOP CHECK	12.00
900 028	SOFT COMPONENTS KIT, 900 MDL 3	68.40
900 030	REPAIR KIT SOFT COMPONENTS	68.40
900 031	900 BAL CHAMBER KIT MODEL 2	199.90
900 032	INTERNALS KIT	194.80
900 033	SPRING, STEM	12.00
900 035	KNOB	88.10
900 036	LEVER HANDLE, BILTMORE	104.80
900 040	ROUND FACEPLATE KIT	184.70
900 047	NUT "U" TYPE	12.00
900 049	CHECK STOP REPAIR KIT 900	133.00
900 050	CHECKSTOP KIT, 900 MODEL 3	133.00
900 070	LEVER HANDLE	88.90
900 075	CARTRIDGE PULLER	12.00
900 085	SHUT OFF DISC	12.00
900 090	TRIM PLATE, BRIGHT CHROME	38.80
900 091	HANDLE, BRIGHT CHROME PLATE	45.90
900 093	GASKET FOR SLEEVE	12.00
900 094	GASKET, TRIM PLATE	12.00
900 095	NAME PLATES, TRIM ENG W/CSA LOG	26.00
900 096	HANDLE BUTTON	12.00
900 102	FACEPLATE KIT, CHROME FINISH	161.60
900 105	HANDLE KIT, CHROME W/O STOP	113.90
900 107	HANDLE KIT WITHOUT STOP	104.80
900 108	KNOB KIT, ACRYLIC W/O STOP	78.90
900 109	STEM EXTENSION KIT	118.00
900 118	FOR MILWAUKEE FAUCET	39.30
900 120	ROUGH IN GUIDE FOR 900	12.00
900 123	MOUNTING BRACKET	22.50
900 132	SLEEVE FOR 909/910 BILTMORE	36.90
900 140	PLUG BUTTON, SERIES 900	17.30
900 141	PLUG BUTTON, SERIES 410 & 420	12.00
900 197	OUTLET SEALS	12.00
900 216	SPRING, .300 O.D., .375 LG	12.00
900 219	BONNET	12.00
900 231	THROTTLING STEM ASSEMBLY	21.90
900 240	CHAMBER REPAIR KIT, BAL.MDL3	124.10
900 259	BALANCE CHAMBER ASSEMBLY KIT	124.10
900 268	SLEEVE KIT, LARGE	41.80

Part No.	Description	List Price
900 269	BILTMORE SLEEVE KIT FOR MODEL 3	82.10
900015A	BONNET ASSEMBLY	81.30
900015B	900 BONNET,MACHINED	33.00
900017A	BONNET NUT	45.90
900020A	DIAL ROUND W/CSA LOGO	151.70
900031A	BAL CHAMBER REP KIT MODEL 1	246.70
900096BP	HANDLE BUTTON BP. QTY= 25	90.30
975170A	1/2" VOLUME VALVE CONCEALED	710.60

### IntelliStation™ Replacement Parts

Part No.	Description	List Price
88006470	CONTROLLER	1,499.00
6551624	CONTROLLER, UPGRADE KIT IOT (IS JR)	2,210.00
81019061	TEMPERATURE SENSOR W/WIRE	53.70
6551690	3/4 INCH 3-WAY VALVE AND ACTUATOR KIT (IS JR)	5,318.00
6551691	1 INCH 3-WAY VALVE AND ACTUATOR KIT (IS JR)	6,095.00
6551692	1 1/2 INCH 3-WAY VALVE AND ACTUATOR KIT (IS JR)	7,646.00
6551693	2 INCH 3-WAY VALVE AND ACTUATOR KIT (IS JR)	9,419.00
81019287	ACTUATOR	2,400.00
81020529	ACTUATOR W/ EXTENDED CABLE	2,400.00
6551290	ACTUATOR (IS JR)	2,400.00
81019288*	150PSI PRESSURE SENSOR WITH WIRE (P)	CF**
88005572	200PSI PRESSURE SENSOR WITH WIRE (P)	518.20
81019289	HIGH-SPEED TEMPERATURE SENSOR W/WIRE	131.30
6551291	TEMPERATURE SENSOR W/WIRE (IS JR)	114.60

**\*Note: ONLY for models built prior to May 25, 2017**



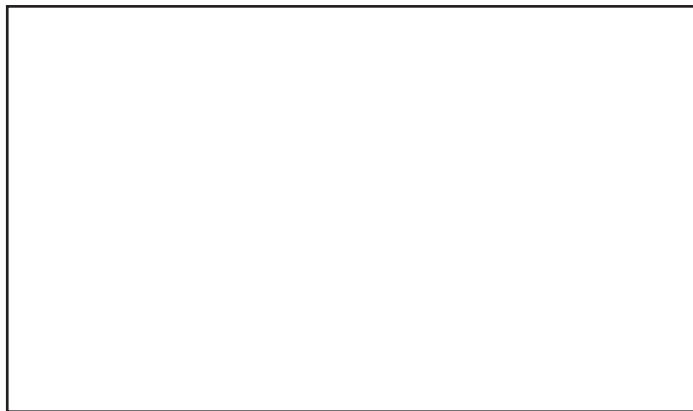
## Notes

---



To locate your nearest Powers representative, please click on our *FIND A REP* locator on PowersControls.com

**Represented by:**



**POWERS™**

*A WATTS Brand*

**USA:** T: (888) 432-8932 • PowersControls.com  
**Canada:** T: (888) 208-8927 • PowersControls.ca  
**Latin America:** T: (52) 55-4122-0138 • PowersControls.com