

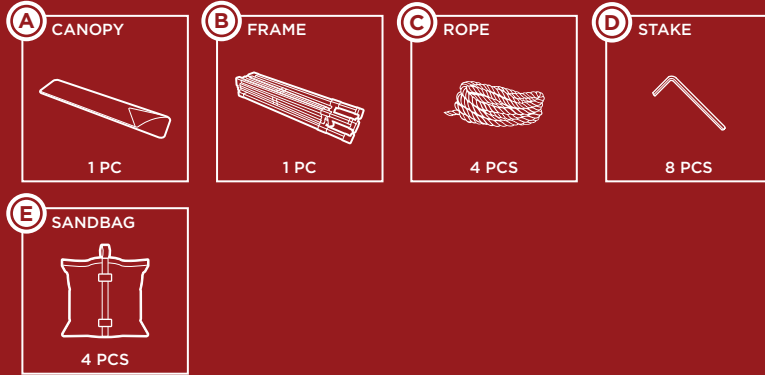


10 x 10ft One Button Pop-Up Canopy

SKY5762 + SKY5763 + SKY5764 + SKY5767 + SKY5768 + SKY5772 + SKY6960
 SKY6961 + SKY6962 + SKY6963 + SKY6964 + SKY6965 + SKY6966 + SKY7817
 SKY7818 + SKY7819 + SKY7820 + SKY7821 + SKY7822 + SKY7823 + SKY7824
 SKY7825 + SKY7826 + SKY7827 + SKY7828 + SKY9650 + SKY9651 + SKY9652
 SKY9653 + SKY9654 + SKY9655 + SKY9656 + SKY9657 + SKY9658

Ver. 5

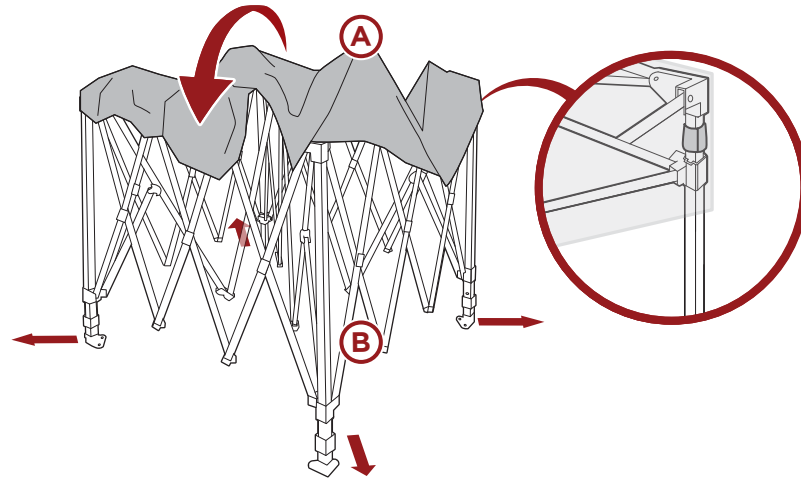
PARTS



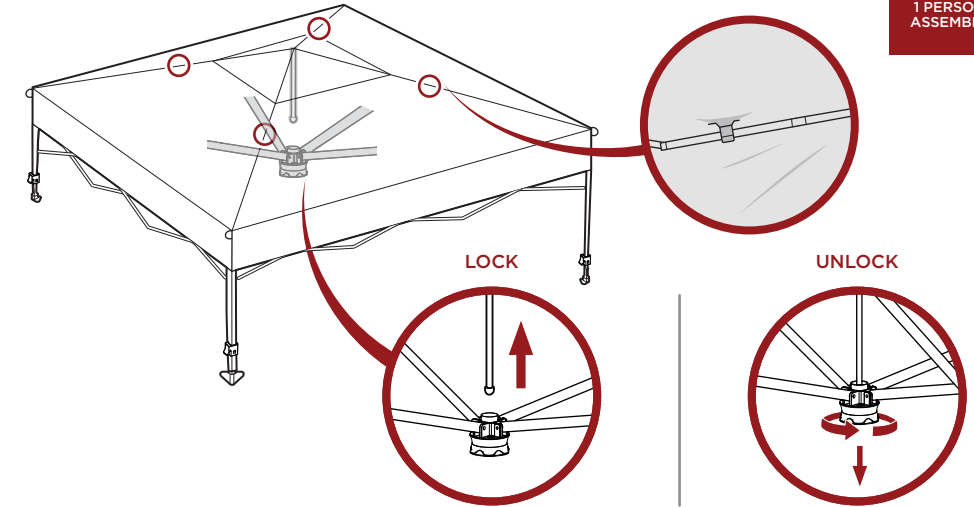
⚠ WARNING

- Be careful not to pinch hands or appendages during assembly.
- It is recommended that you use the ropes and stakes to secure the canopy.
- Canopy should not be left up in the rain. This product is not intended to withstand constant rain or inclement weather.
- This product is not intended to withstand periods of extreme/high wind or inclement weather.
- When not in use, this product should remain closed and stored away to avoid potential damage.
- This product is intended for residential use only.

1 Drape **part A canopy** over **part B frame**.
 Make sure to secure the corners with the attached adhesive strips.



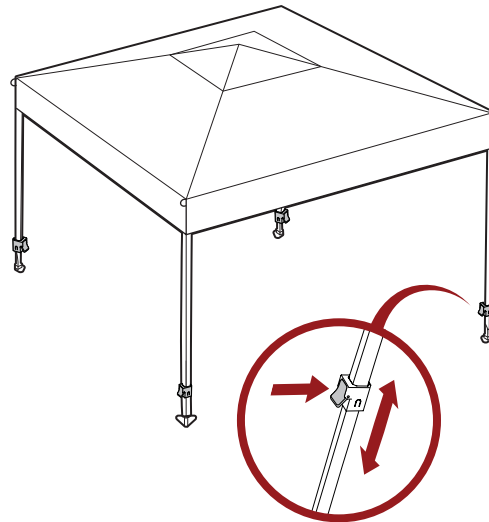
2 Push the middle button into the pole until it locks.
 Secure the canopy with the attached adhesive strips.



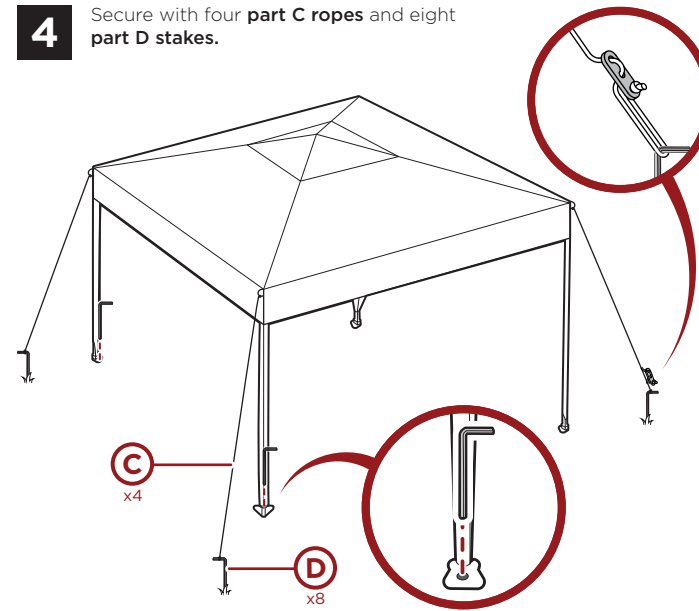
1 PERSON
ASSEMBLY

UP TO 10 MIN.
ASSEMBLY

3 Push the tabs on the legs and extend to your desired height.



4 Secure with four **part C ropes** and eight **part D stakes**.



5 Fill four **part E sandbags** with clean sand, then use the self-adhering strips to secure one sand bag to each **part A canopy leg**.

