



Thank you for purchasing Leick Furniture products.
 Contact customer service for comments or concerns.

Sheboygan, WI

800-558-8700

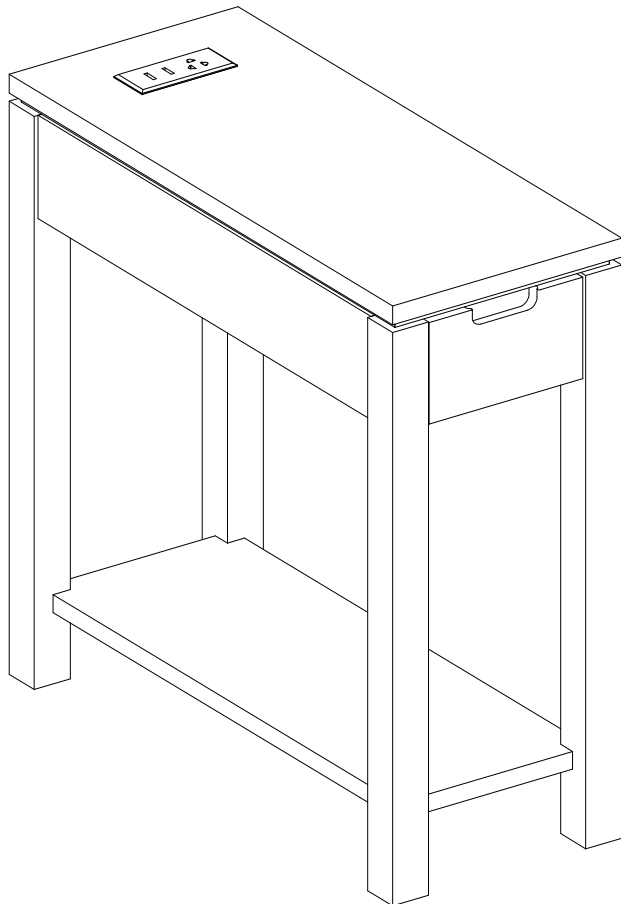
cs@todaysdesignhouse.com

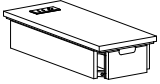
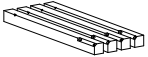
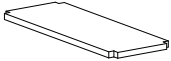




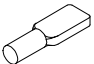
todaysdesignhouse.com

Note:

A packet with complete set of hardware can be found by pulling the red ribbon that's easily visible upon opening the box.

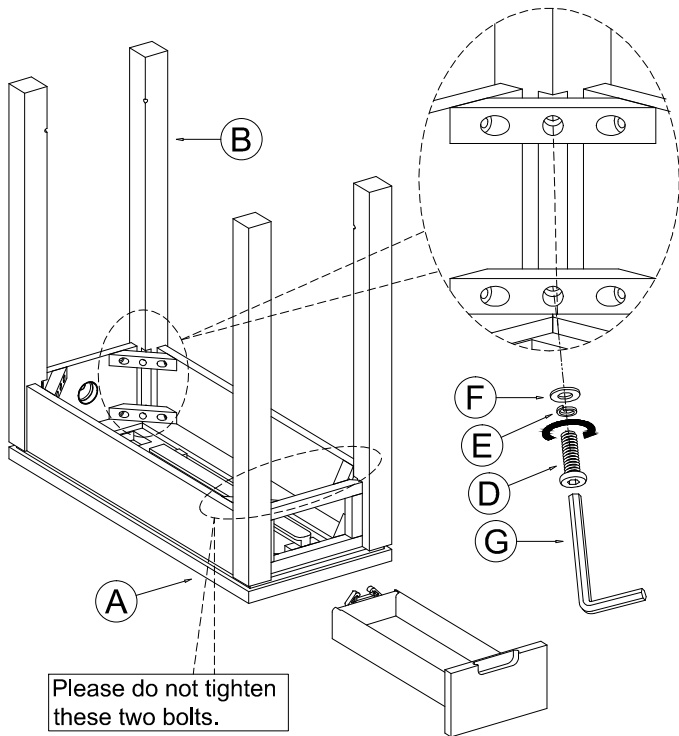
Assembly Instructions, #9080 Cade Chairside Table



A	Top Assembly		1
B	Legs		4
C	Shelf		1
D	Bolts		8
E	Lock Washers		8
F	Flat Washers		8
G	Allen Wrench		1
H	Shelf Supports		4

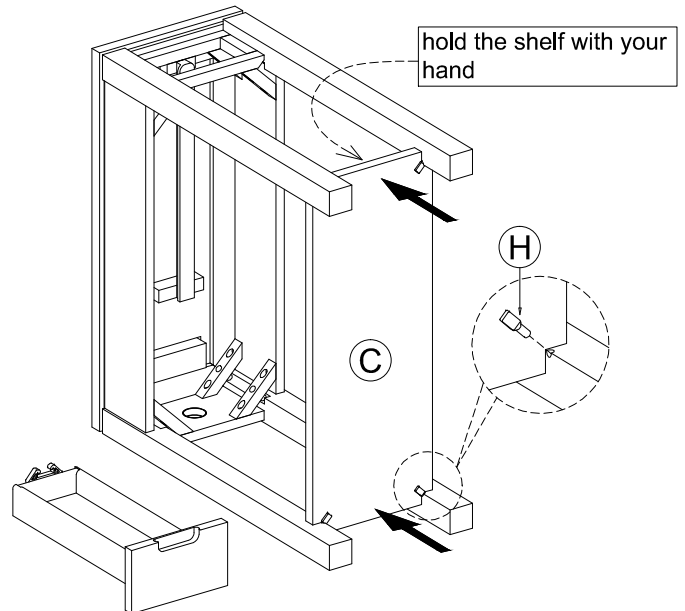
Step 1

- 1.1** Place the top assembly upside down on a soft surface. Take out the drawer and fasten the legs with (8) bolts, flat washers and lock washers. Do not tighten two bolts on the lower part of front two legs in below. Tighten the rest of 6 bolts.



Step 2

- 2.1** Lay the table on its back as shown on the graphic, slide the shelf from the bottom ends of legs until it gets past the shelf holes. Hold the shelf with your hand and insert four shelf supports.
- 2.2** Hold to keep the shelf in place with the shelf supports, now tighten two bolts in Step 1.



Step 3

- 3.1** Place the table upright, insert the drawer back to the table.
- 3.1** Tap the shelf lightly to make sure it rests on shelf supports evenly.

