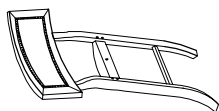


ASSEMBLY INSTRUCTION

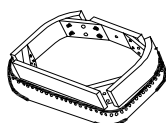
COUNTER HEIGHT CHAIR

A Chair Back



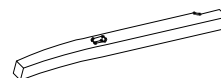
1 pc

B Seat Cushion



1 pc

C LSF / RSF Front Leg



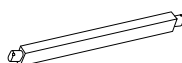
2 pcs

D Front Stretcher



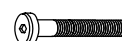
1 pc

E LSF / RSF Side Stretcher



2 pcs

F Short Bolt
Ø5/16"x1-3/4"



1 pc

G Long Bolt
Ø5/16"x2-1/2"



8 pcs

H Spring Washer
Ø5/16"x3/8"



9 pcs

I Flat Washer
Ø5/16"x3/4"



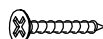
9 pcs

J Allen Key
1/6"

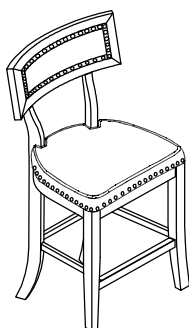


1 pc

K Wood Screw
#8x1-3/4"



6 pcs

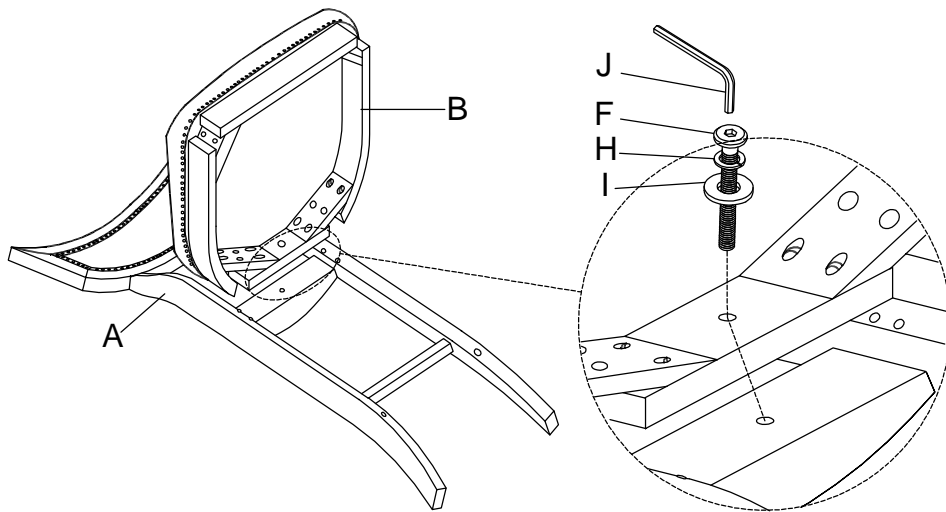


This page lists all the contents included in the box. Please take the time to identify the hardware as well as the individual components to this product. As you unpack and prepare for assembly, place the contents on a carpeted or padded area to protect them from damage.

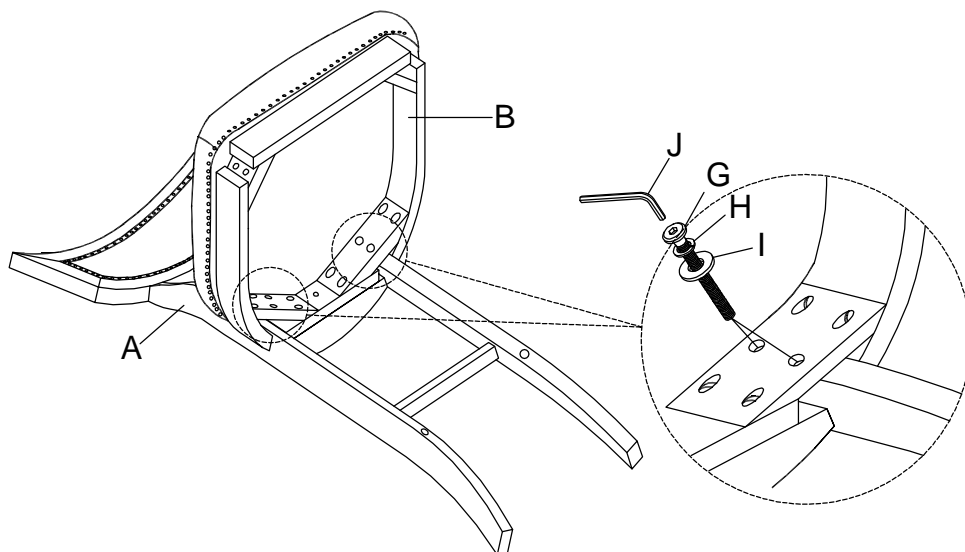
1

Attach Seat Cushion (B) to Chair Back (A) using Short Bolt (F), Spring Washer (H), Flat Washer (I), and Allen Key (J).

Take the Allen Key, and turn the bolts until the legs are secure. **DO NOT TIGHTEN COMPLETELY.** Stop when you feel you are adding force to tighten the bolt.

**2**

Attach Seat Cushion (B) to Chair Back (A) using Long Bolts (G), Spring Washers (H), Flat Washers (I), and Allen Key (J).



3

Attach LSF / RSF Front Leg (C) to seat frame using Long Bolts (G), Spring Washers (H), Flat Washers (I), and Allen Key (J). Attach Front Stretcher (D) to LSF / RSF Front Leg (C) and attach the LSF / RSF Side Stretcher (E) to LSF / RSF Front Leg (C) & Chair Back (A) using Wood Screw (K).

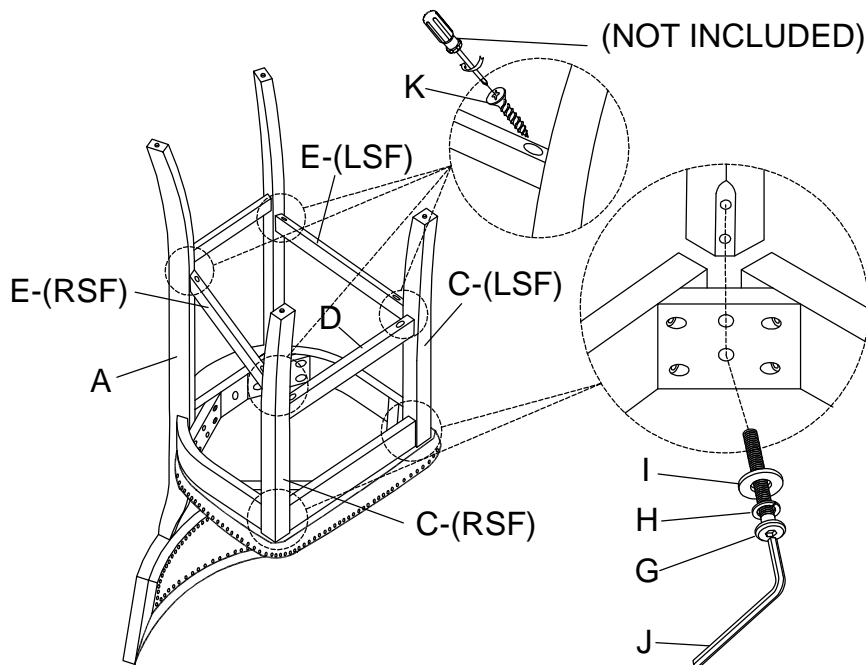
Stand chair up on an even surface and check that it is balanced.

If there is a slight wobble, apply downward pressure in the corner where a leg is uneven. Keeping pressure in that corner, tighten all bolts. If balanced, apply downward pressure evenly in the center and tighten all bolts.

Do not over-tighten beyond hole depth.

Helpful Tip:

-Instead of applying downward pressure while reaching under to tighten bolts, have someone sit in the chair while you tighten the bolts.



Cleaning & Care

Treat surface with care. Surface is resistant to scratches but is not scratch resistant. Clean surfaces with a dry or damp soft cloth. Do not use abrasive cleaners. Hardware may loosen over time. Periodically check that all connections are tight.