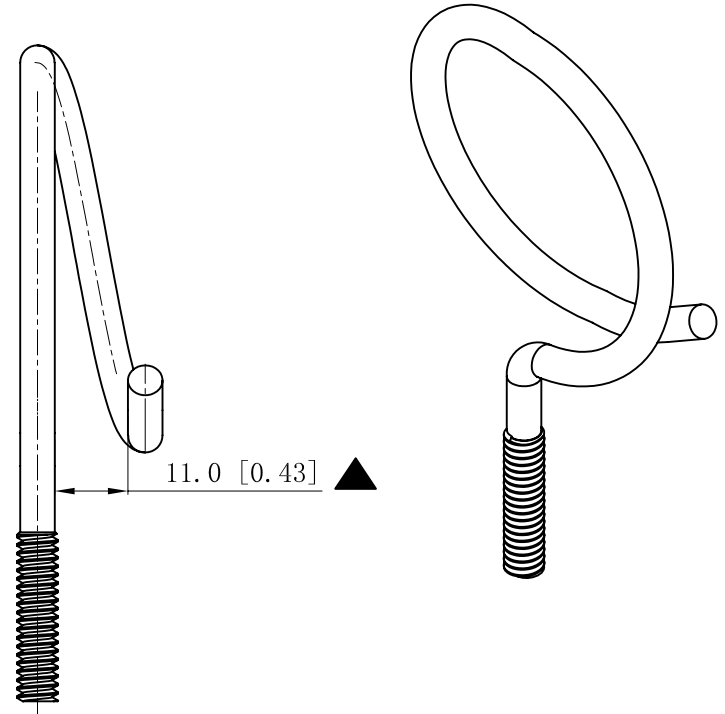
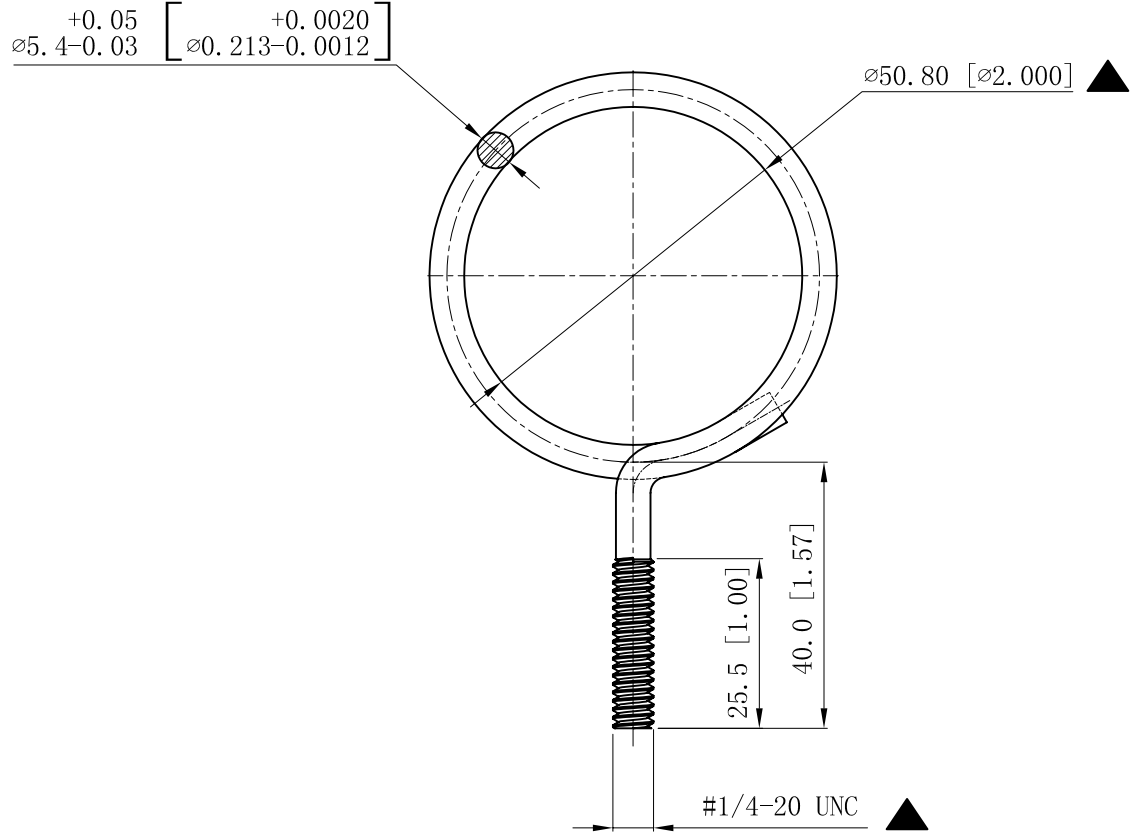


|  |        |
|--|--------|
| SIDES  | BOTTOM |
|  |        |
|  |        |
|  |        |
| Material: Steel- $\phi$ 0.213"-(C1008-C1018) Zinc Plated |        |



This data sheet is for reference only .GARVIN INDUSTRIES reserves the right to make changes to the design without prior notice.

|                       |
|-----------------------|
| DESCRIPTION           |
|                       |
| TRADE REFERENCE TERMS |
|                       |

|                  |
|------------------|
| STANDARD PACKING |
| 100 PCS          |

|                            |         |     |
|----------------------------|---------|-----|
| TITLE                      |         |     |
| GARVIN INDUSTRIES          |         |     |
| MACHINE-SCREW BRIDLE RINGS |         |     |
| SIZE                       | DWG NO. | REV |
| A4                         | BR-200  |     |
| DATA SHEET                 |         |     |