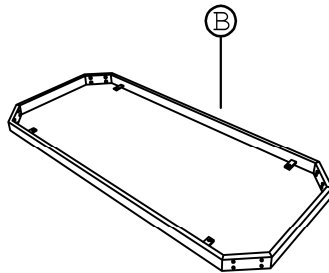
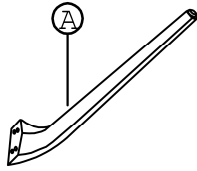


# NICOYA DINING TABLE ASSEMBLY INSTRUCTIONS

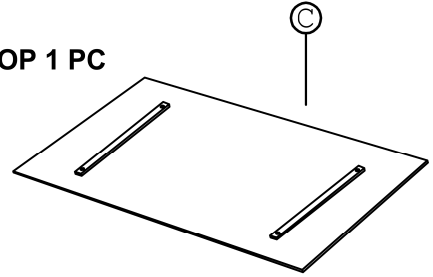


## PARTS PACKING CONFIGURATION

**BOX #1**  
A. LEG 4 PCS  
B. TABLE BASE 1 PC



**BOX #2**  
C. TABLE TOP 1 PC

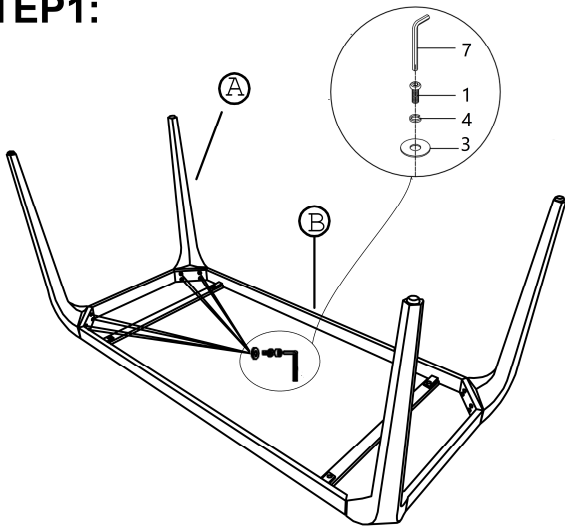


### HARDWARE ENCLOSED IN BOX #1

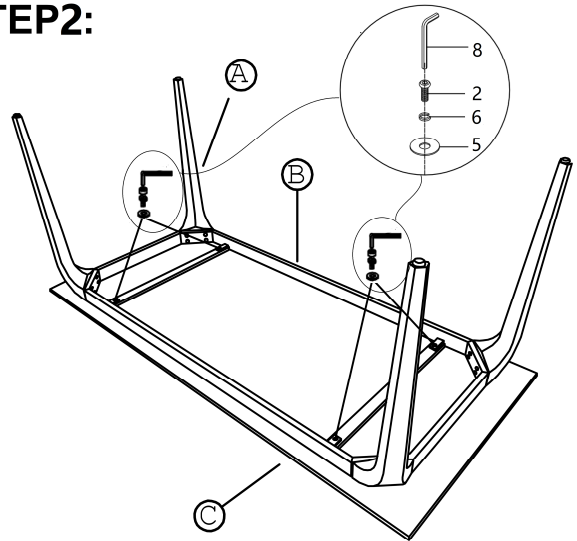
No	Description	Photo	Quantity
1	ALLEN BOLT(M8×35)		16 PCS
2	ALLEN BOLT(M6×12)		4 PCS
3	FLAT WASHER(M8×16)		16 PCS
4	SPRING WASHER(M8)		16 PCS
5	FLAT WASHER(M6×12)		4 PCS
6	SPRING WASHER(M6)		4 PCS
7	ALLEN KEY (M6)		1 PC
8	ALLEN KEY (M4)		1 PC



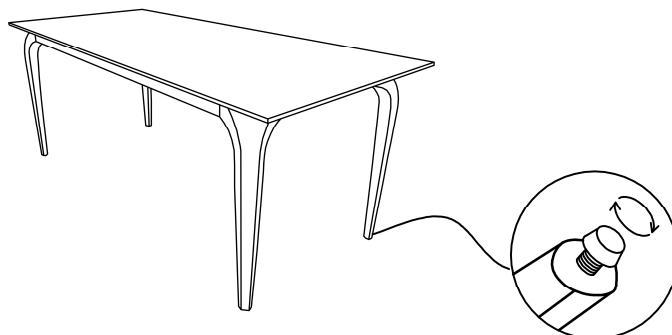
### STEP1:



### STEP2:



### FULLY ASSEMBLED



IF THE TABLE IS NOT LEVEL ON YOUR FLOOR, PLEASE ADJUST LEVELERS ON UNDERSIDE OF THE LEGS(A)