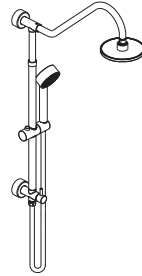




# HERO SERIES Installation Guide

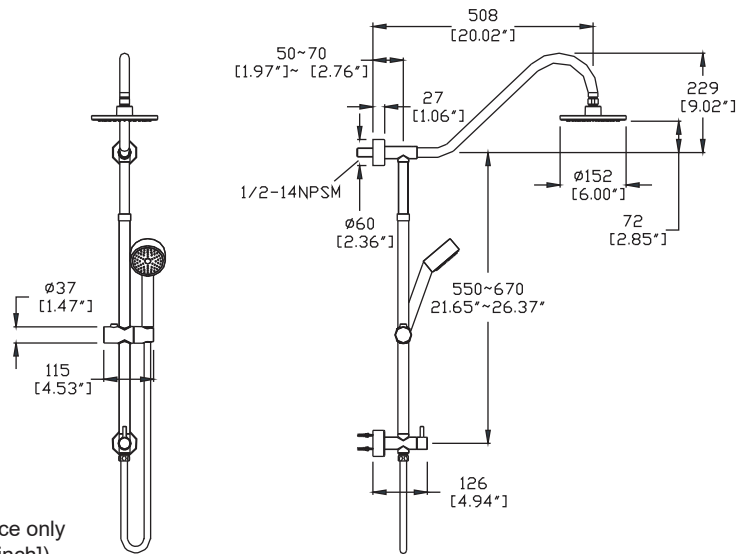
For more information visit  
www.ANZZI.com or call  
1-844-44-ANZZI



## SH-AZ100

### WALL MOUNTED RAINFALL SHOWER AND HAND SHOWER FAUCET

#### DIMENSIONS



■ For Reference only  
(unit = mm [inch])

#### FAUCET MAINTENANCE

#### CARE INSTRUCTIONS

To keep your faucet looking its best, please follow these simple care instructions:

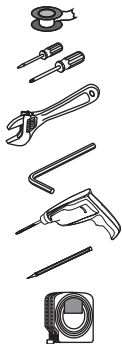
##### DO:

1. Remove as much surface dirt and film using clear water and a soft cotton cloth.
2. Use any of the following to remove tough surface film and build-up:
  - Mild liquid detergent
  - Non-acidic, non-abrasive gentle liquid cleanser
  - Non-abrasive liquid polisher.
3. Once clean, rinse faucet with clear water to thoroughly remove cleaner or polish and blot dry with soft cotton cloth.

##### DO NOT:

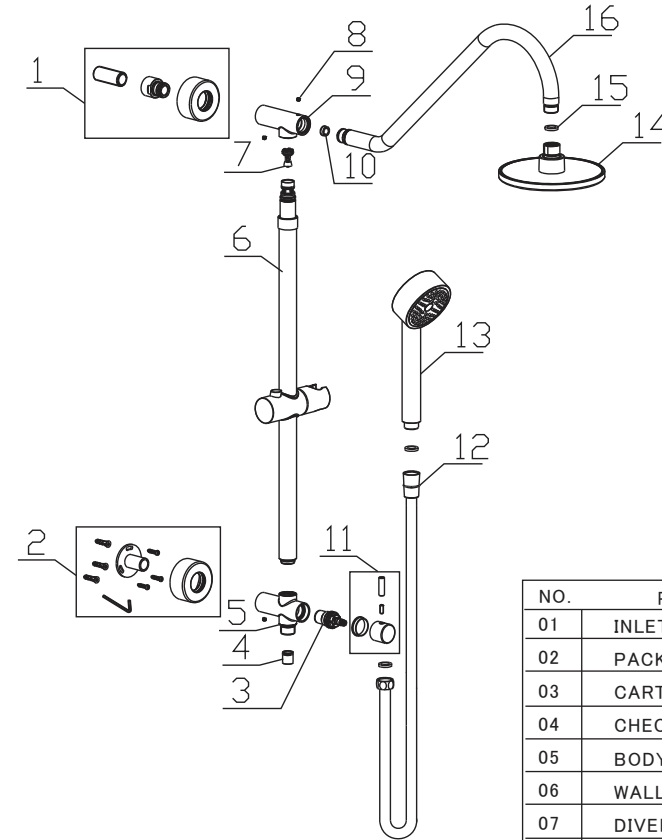
1. Use abrasive cleansers, cloths, or paper towels.
2. Use any cleaning agents containing acids, polish, waxes, alcohol, ammonia, bleach, solvents or any other corrosive or harsh chemical cleansers.

#### RECOMMENDED TOOLS



#### EXPLODED DRAWING

Please read the followings before installing and usage.



NO.	Part Desc	Qty
01	INLET ASSEMBLY	1
02	PACKING	1
03	CARTRIDGE	1
04	CHECKSTOP	1
05	BODY	1
06	WALL BAR	1
07	DIVERTER	1
08	SCREW	3
09	DIVERTER BODY	1
10	FLOW REGULATOR	1
11	HANDLE	1
12	SHOWER HOSE	1
13	HAND SHOWER	1
14	SHOWER HEAD	1
15	WASHER	3
16	SHOWER ARM	1

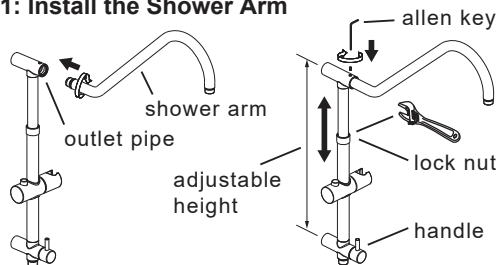


■ Notes: For reference only. We reserve the right to make changes without any notice.

# INSTALLATION INSTRUCTIONS

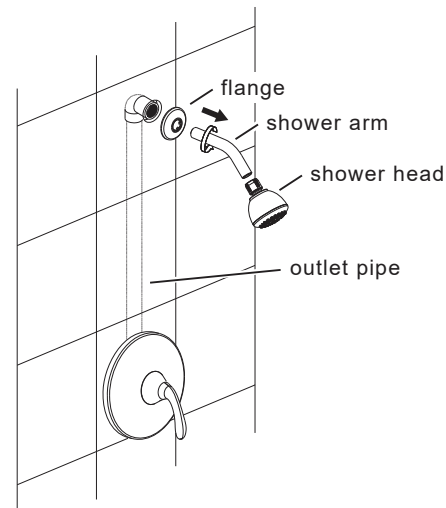
## WALL MOUNTED RAINFALL SHOWER AND HAND SHOWER FAUCET

### Step 1: Install the Shower Arm



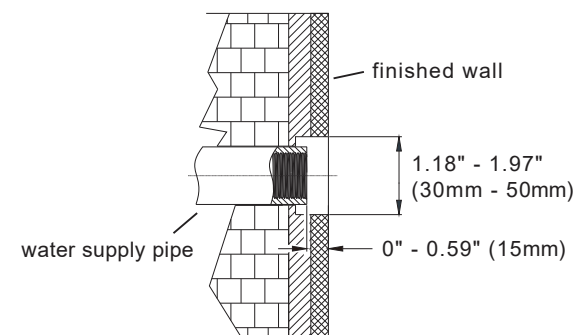
1. Remove all packaging materials.
2. Thread the shower arm onto the outlet pipe by hand, turning it **clockwise** until snug.
3. If the shower arm is not aligned correctly, rotate it **counterclockwise** slightly until properly positioned.
4. Once aligned, use the included **allen key** to securely tighten the set screw.
5. Use a wrench to turn the lock nut **counterclockwise** to loosen it.
6. Hold the shower arm and push the handle downward to adjust the height of the handle. Tighten the lock nut to secure. **DO NOT** overtighten.

### Step 2: Remove the Shower Head



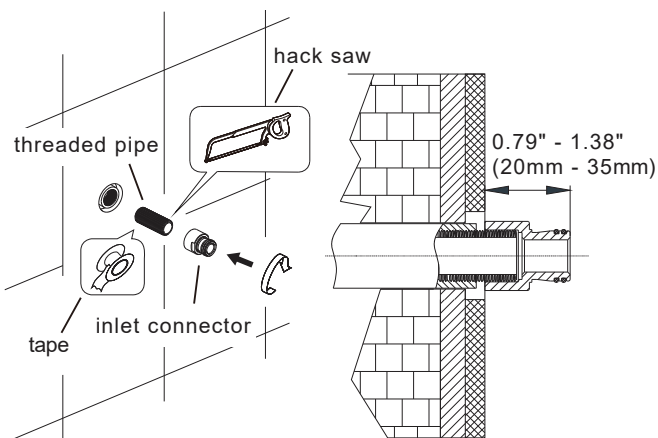
1. Remove the existing shower head, shower arm and flange.

### Step 3: Verify Wall Depth and Pipe Extension



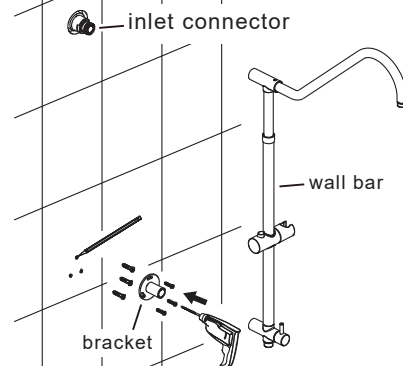
1. Confirm that the distance between the finished wall surface and the water supply pipe matches the dimensions shown in the diagram.
2. Ensure the pipe diameter and wall clearance fall within the specified range to allow proper installation.

### Step 4: Install the Threaded Pipe and Inlet Connector



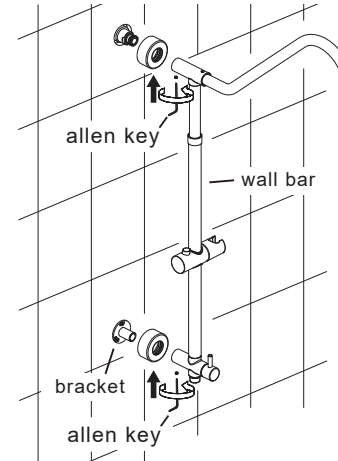
1. Wrap plumber's tape around the threaded pipe to prevent leaks.
2. Thread the pipe and inlet connector into place by turning **counterclockwise**, tightening securely.
3. If the threaded tube extends too far from the wall, trim it to the required length using a saw.

### Step 5: Install the Bracket



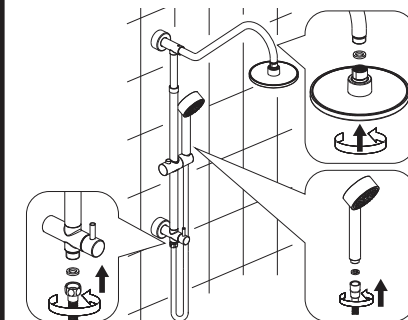
1. Slide the bracket to the wall bar, then install the wall bar to the inlet connector.
2. Make sure the wall bar is plumb. Mark the screw holes through the bracket on the wall according to the diagram.
3. Drill the holes, insert wall anchors if required, and secure the bracket using the provided screws.

### Step 6: Install the Wall Bar



1. Attach the wall bar to the installed brackets.
2. Ensure the bar is straight and firmly secured.
3. Tighten all fasteners using the supplied **allen key**.

### Step 7: Install Spray Components and Final Connections



1. Attach the shower head, hand shower, and shower hose according to the diagram.
2. Ensure all connections are tight and properly aligned.

**Important:**  
If your home's water pressure exceeds **100 PSI (0.7 MPa)**, install a **pressure-reducing valve (PRV)** to prevent damage to the product.