

PRODUCT SPECIFICATIONS

Outdoor Pedestal Fountain Non-Filtered Non-Refrigerated. Features shall include Heavy Duty Vandal Resistant, 300 Series Stainless. Furnished with Vandal Resistant bubbler. Mechanical Button activation. Product shall be Floor Mount/Freestanding, for Outdoor applications, serving 1 station(s).

| | |
|--|---|
| Special Features: | Heavy Duty Vandal Resistant, 300 Series Stainless |
| Finish: | Black (BK), Blue (BLU), Evergreen (EVG), Gray (GRY) |
| Power: | No Electrical Required |
| Bubbler Style: | Vandal Resistant |
| Activation by: | Mechanical Button |
| Mounting Type: | Floor Mount/Freestanding |
| Chilling Capacity: | Non-refrigerated |
| Dimensions (L x W x H): | 14" x 14" x 40-5/16" |
| Approx. Shipping Weight: | 134 lbs. |
| Installation Location**: | Outdoor |
| No. of Stations Served: | 1 |
| **When used in non-temperature controlled environments, unit(s) must be adequately winterized and/or protected from extreme heat to prevent damage where climates dictate. | |

- Mechanically-Activated unit continues to supply water in event of service disruptions.



Included with Product: Outdoor Fountain
Ships in one box.

A Century of Tradition and Quality.

For more than 100 years, Elkay has been making innovative products and providing exceptional customer care. We take pride in offering plumbing products that make life easier, inspire change and leave the world a better place.



PRODUCT COMPLIANCE

ASME A112.19.3/CSA B45.4

NSF/ANSI 61 (Q₁) & 372 (lead free)

NSF REG4



[Installation Instructions \(PDF\) - 100003950](#)

Warranty pertains to drinking water applications only. Non-drinking water applications are not covered under warranty.

[Warranty \(PDF\)](#)

PART: _____ QTY: _____

PROJECT: _____

CONTACT: _____

DATE: _____

NOTES: _____

APPROVAL: _____

Optional Accessories

In keeping with our policy of continuing product improvement, Elkay reserves the right to change product specifications without notice. Please visit elkay.com for the most current version of Elkay product specification sheets. This specification describes an Elkay product with design, quality, and functional benefits to the user. When making a comparison of other producers' offerings, be certain these features are not overlooked.

97890C

Accessory - Direct Bury Adaptor

[Spec Sheet \(PDF\)](#)



MOUNTING INSTRUCTIONS and PLUMBING CONNECTIONS

Refer to diagrams for plumbing rough-in. This fountain is to be mounted on a smooth, flat finished wall surface with adequate support.

Note: Wall mounting structure must be capable of supporting 300lb. load minimum on fountain. To secure unit, use 3/8 minimum fasteners (not provided). Water service line and waste line are to be assembled as required. Final check for leaks and correct functions of fountain should be made. (For details see the installation instructions.)

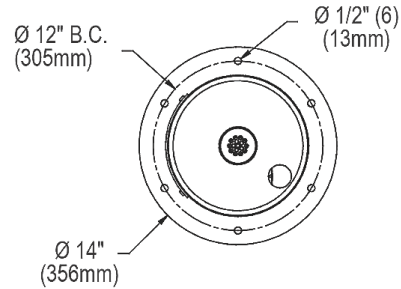
Installation requires trap to be installed in wall. A service supply stop must be installed at the fountain inlet line. Trap and service stop not included.

Caution - Fountain must be securely bolted to wall.

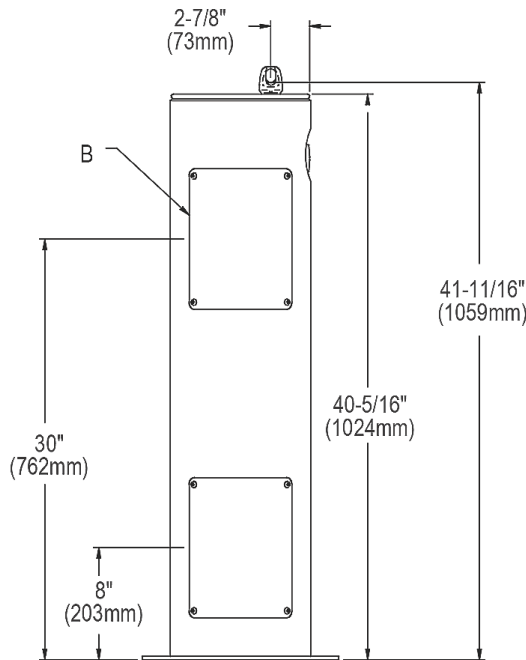
Note: For wall support required locations see installation instructions provided with fountain.

OPERATING PRESSURES:
Supply water 20 – 105 psi maximum

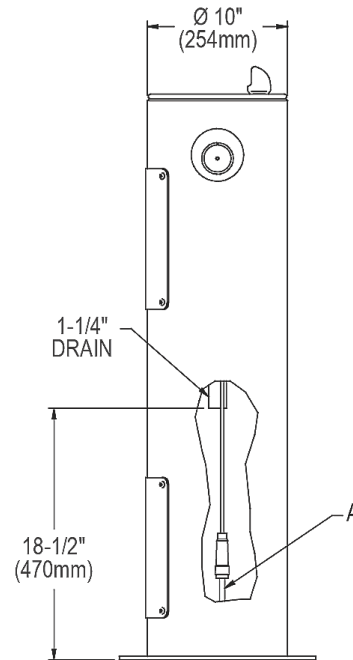
TOP VIEW



SIDE VIEW



FRONT VIEW



A = 3/8" O.D. UNPLATED COPPER TUBE CONNECT SHUT OFF VALVE BY OTHERS
B = ACCESS PANEL (8" x 10")

In keeping with our policy of continuing product improvement, Elkay reserves the right to change product specifications without notice. Please visit elkay.com for the most current version of Elkay product specification sheets. This specification describes an Elkay product with design, quality, and functional benefits to the user. When making a comparison of other producers' offerings, be certain these features are not overlooked.