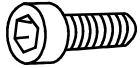




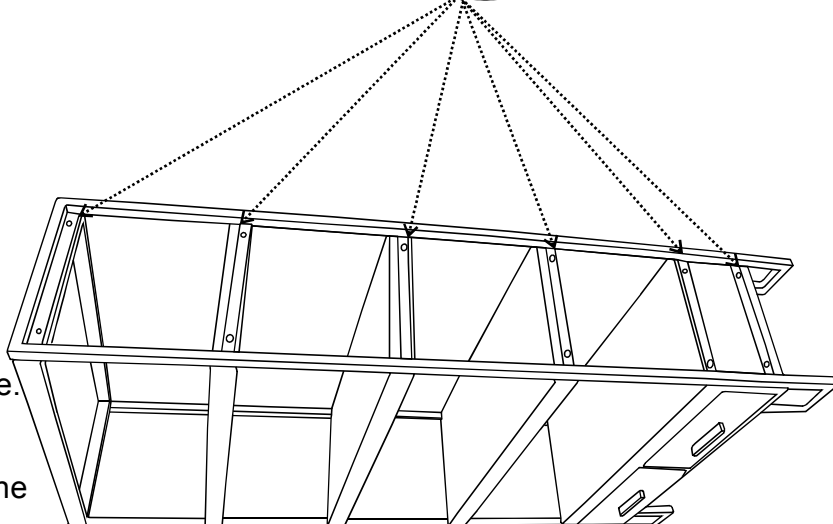
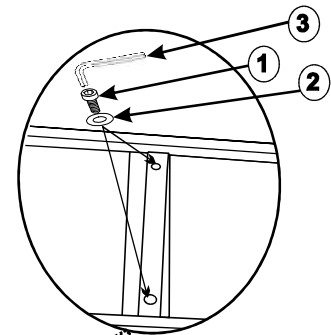
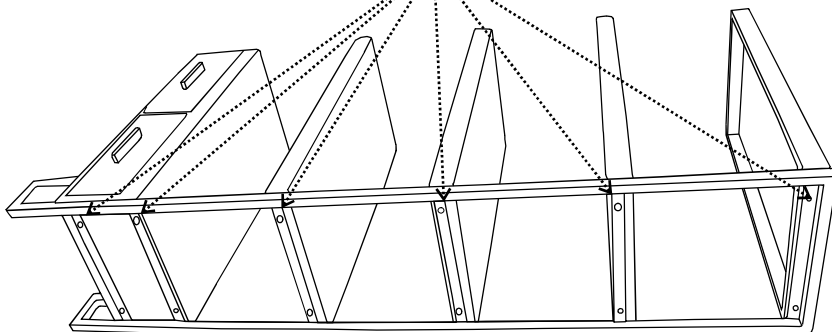
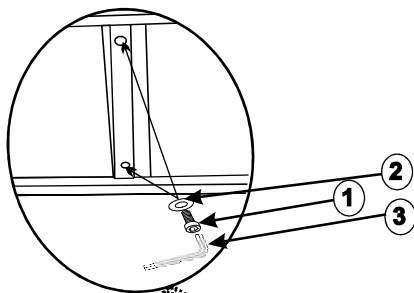
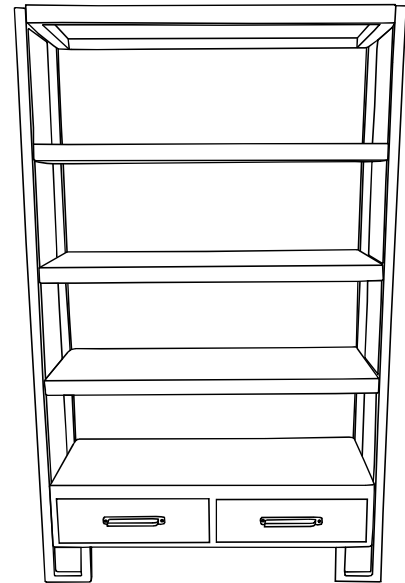
HEKMAN®

A HOWARD MILLER COMPANY

ASSEMBLY INSTRUCTION FOR 27829 BOOKSHELF

HARDWARE LIST

NO.	ITEM	DESCRIPTION	QTY.
1		Bolt	24
2		Flat Washer	24
3		Allen Wrench	01



TO ASSEMBLY:

- STEP 1 : Unpack the Bookshelf and place the Metal Frame as shown on a clean leveled surface.
- STEP 2 : Attach the racks and Drawer with Bolt (1) and Washer (2).
- STEP 3 : Attach the other Metal Frame Similarly as the Other Side.
- STEP 4 : Carefully turn the Bookshelf upright.