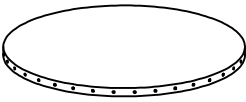





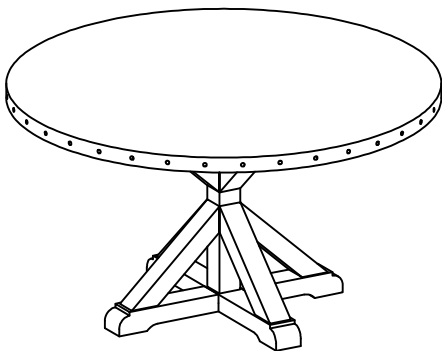


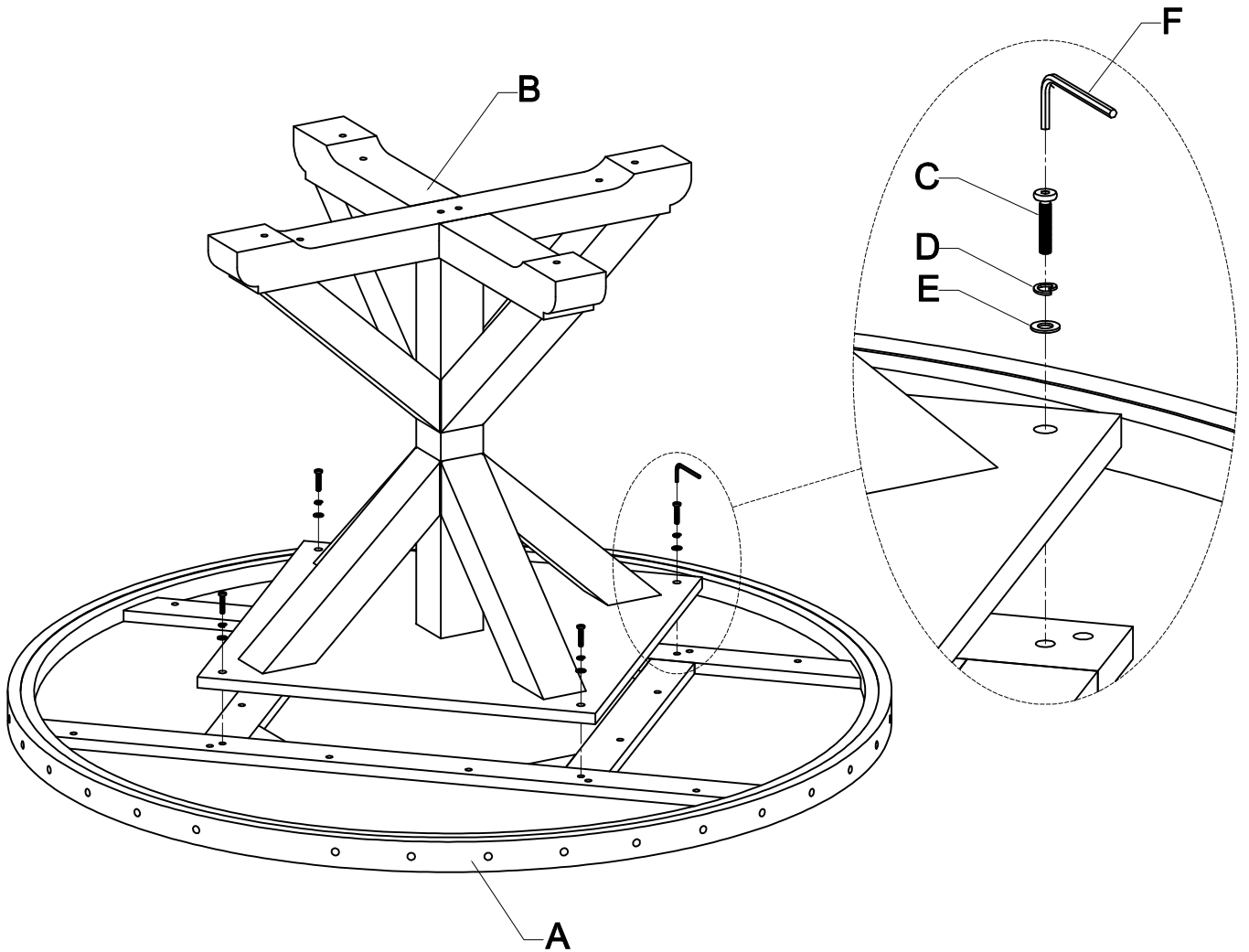
ASSEMBLY INSTRUCTION

A Table Top	B Base	C Bolt 5/16"x1-1/2"	D Lock Washer 5/16"
			
1pc	1pc	4pcs	4pcs
E Flat Washer 5/16"x16mm	F Allen Wrench 5mm		
			
4pcs	1pc		



This page lists all the contents included in the box. Please take the time to identify the hardware as well as the individual components to this product. As you unpack and prepare for assembly, place the contents on a carpeted or padded area to protect them from damage.

-
- 1** Upside down the table top (A), attach the base (B) and install using bolt (C), lock washer (D) and flat washer (E), tight by allen wrench (F).



Cleaning & Care

Treat surface with care. Surface is resistant to scratches but is not scratch resistant. Clean surfaces with a dry or damp soft cloth. Do not use abrasive cleaners. Hardware may loosen over time. Periodically check that all connections are tight.