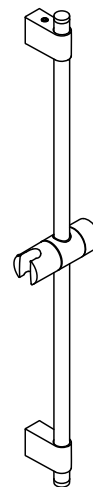


### Features

- Adjustable mounting brackets offer installation flexibility
- Adjustable angle of handshower

### Material

- KOHLER finishes resist corrosion and tarnishing



ADA

CSA B651

OBC

### Codes/Standards

ASME A112.18.1/CSA B125.1

ADA

ICC/ANSI A117.1

CSA B651





OBC

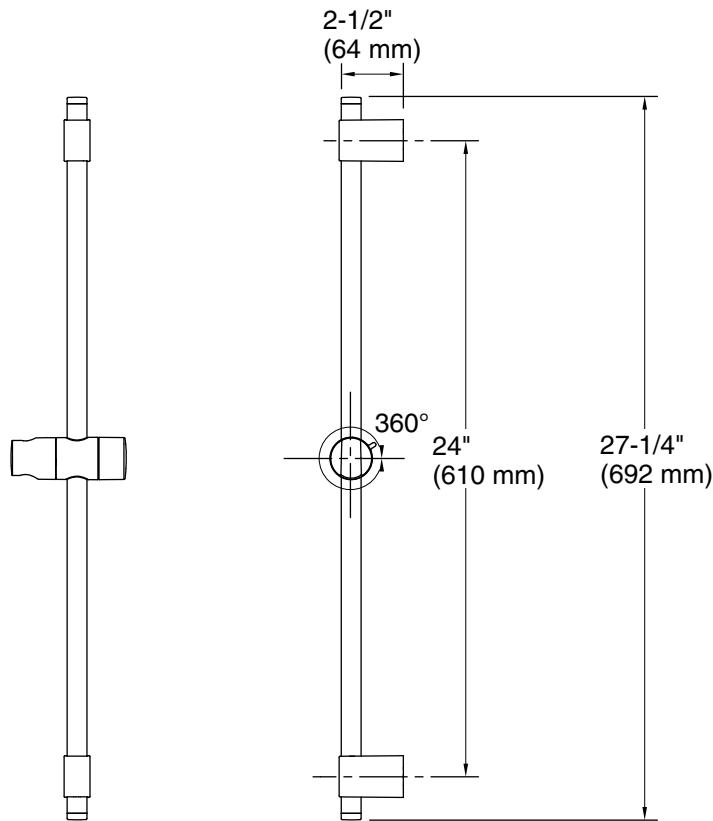
### KOHLER® Faucet Lifetime Limited Warranty

See website for detailed warranty information.

### Available Colors/Finishes

*Color tiles intended for reference only.*

| Color   | Code | Description                       |
|---|------|-----------------------------------|
|  | CP   | Polished Chrome                   |
|  | BN   | Vibrant® Brushed Nickel           |
|  | BL   | Matte Black                       |
|  | 2MB  | Vibrant® Brushed Moderne<br>Brass |



### Technical Information

All product dimensions are nominal.

### Spout:

### Notes

Install this product according to the installation guide.

Mount the slidebar to stud framing or install backing support.

For tile or other solid finish surfaces: Predrill mounting holes through surface material only; do not drill into the stud.

For drywall surface: No predrill is required.

NOTE: The mounting brackets can be adjusted to align with existing holes for retrofit installations.

ADA, OBC, CSA B651 compliant when installed to the specific requirements of these regulations.