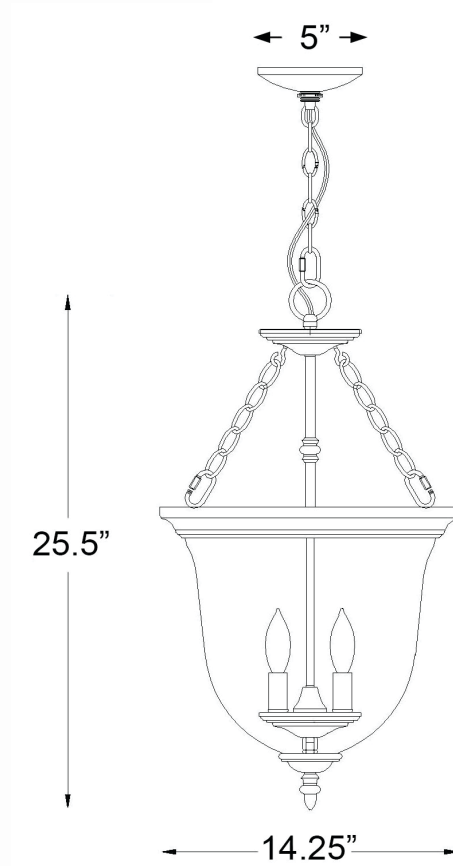


# 9316ABZ

## BELLE 3-LIGHT HANGING LANTERN



<b>Description:</b>	Belle 3-light hanging lantern
<b>Finish:</b>	Architectural bronze
<b>Dimensions:</b>	14-1/4" W x 25-1/2" H
<b>Bulbs:</b>	3-60w cand.
<b>Installed Weight:</b>	8 lbs.
<b>Certification:</b>	Damp location / c UL

<b>Material:</b>	Powder coated steel
<b>Shade:</b>	Glass
<b>Glass:</b>	Clear seeded
<b>Canopy Dimensions:</b>	5" dia.
<b>Chain/Wire:</b>	5' chain, 10' wire
<b>Additional Finishes:</b>	Matte black