

Job Name:

Engineer/Architect:

Job Location:

Wholesaler:


Submittal Date:

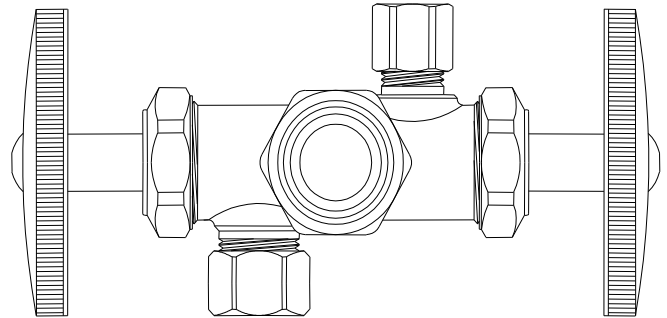
Contractor:

## CR1900/1901DVX Multi-Turn Dual Outlet, Dual Shut-off Stop - Compression Inlet

**Use:** For use in potable water distribution systems in accessible locations only. Not intended for recirculation systems/continuous use temperatures above 115° F. For those applications, use our KT™ series ball stop.

**Design Features:**

- **Independent flow control.** Dual outlet, dual shut-off operation permits you to shut-off water flow to one fixture while maintaining water flow to another fixture
- **Code approved replacement** for areas requiring separate shut-offs for two lines
- **Forged one-piece brass body** provides strength, durability, and long-lasting performance
- **Knurled oval handle** provides a secure grip and smooth on/off operation
- **Easy-to-remove handle** with screw attachment protects accidental stop operation during rough-ins
- 



**Operating Specifications:**

**Temperature:** 40° - 160° F

**Pressure:** 125 PSI maximum

STOP MATERIAL SPECIFICATIONS	
<b>Body</b>	Brass
<b>Stem</b>	POM
<b>Bib &amp; Packing Washers</b>	Rubber
<b>Packing Nut</b>	Brass
<b>Handle</b>	Metal, plated
<b>Handle Screw</b>	Steel, zinc plated
<b>Compression Sleeve</b>	Brass
<b>Compression Nut</b>	Brass

**Part Listing:**

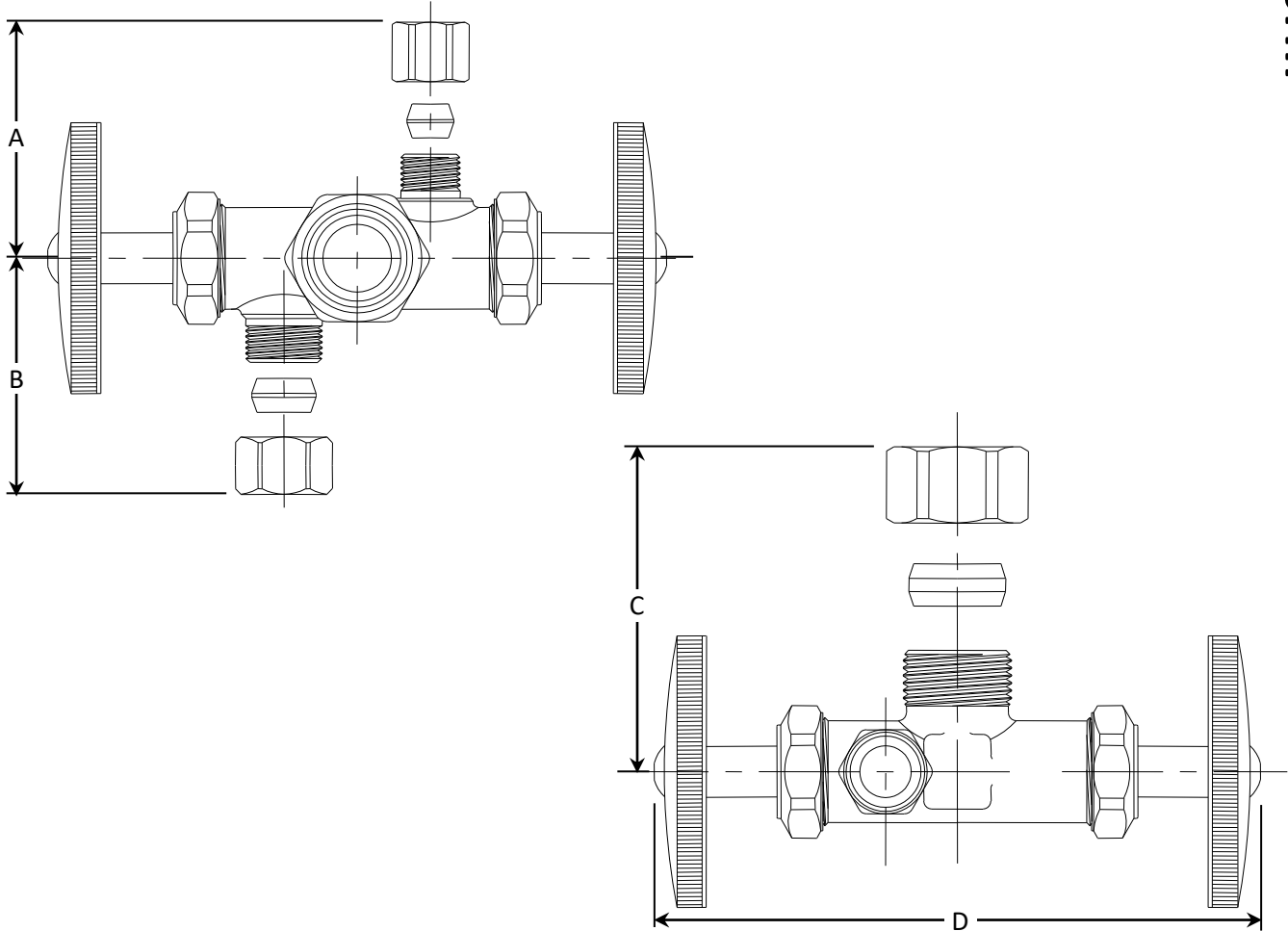
- CR1900DVX C 1/2" nom compression x 3/8" OD compression x 1/4" OD compression, chrome plated
- CR1900DVX R 1/2" nom compression x 3/8" OD compression x 1/4" OD compression, rough brass
- CR1901DVX C 1/2" nom compression x 3/8" OD compression x 3/8" OD compression, chrome plated
- CR1901DVX R 1/2" nom compression x 3/8" OD compression x 3/8" OD compression, rough brass

*This specification and all information contained herein is the confidential and exclusive property of Brasscraft Manufacturing Company and shall not be disclosed to others without the written consent of Brasscraft Mfg. Co. This specification must be returned to Brasscraft Mfg. Co. if requested.*

**BrassCraft®**

# CR1900/1901DVX Multi-Turn Dual Outlet, Dual Shut-off Stop - Compression Inlet

<b>PART DIMENSIONS (Inches)</b>				
<b>Model</b>	<b>DIM. A</b>	<b>DIM. B</b>	<b>DIM. C</b>	<b>DIM. D</b>
CR1900DVX	1.05	1.05	1.25	4.50
CR1901DVX	1.05	1.05	1.25	4.50



**Listings & Certifications:**

- IAPMO listed to ASME A112.18.1 / CSA B125.1 (includes NSF/ANSI 372 and NSF/ANSI/CAN 61)



*This specification and all information contained herein is the confidential and exclusive property of Brasscraft Manufacturing Company and shall not be disclosed to others without the written consent of Brasscraft Mfg. Co. This specification must be returned to Brasscraft Mfg. Co. if requested.*

