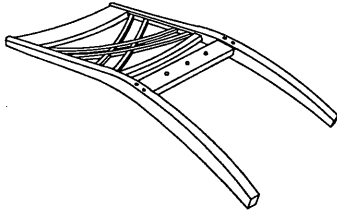


ASSEMBLY INSTRUCTION

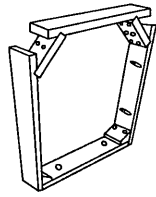
DINING CHAIR

A CHAIR BACK



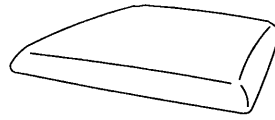
1 PC

B BOX FRAME



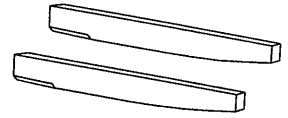
1 PC

C CUSHION SEAT



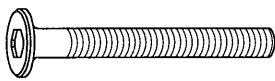
1 PC

D FRONT LEG
(LEFT - RIGHT)



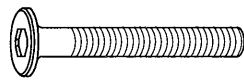
2 PCS

E JCBC BOLT
M6 x 70MM



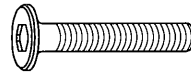
4 PCS

F JCBC BOLT
M6 x 60MM



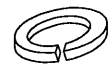
4 PCS

G JCBC BOLT
M6 x 40MM



2 PCS

H LOCK WASHER
M6



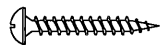
10 PCS

I FLAT WASHER
M6 x 16MM x 2.0MM



10 PCS

J PAN HEAD SCREW
M4 x 25MM

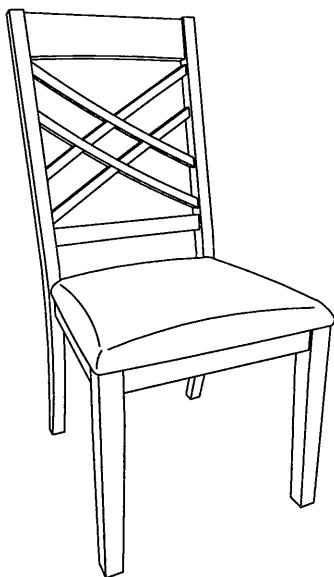


5 PCS

K ALLEN WRENCH
M4 x 100MM

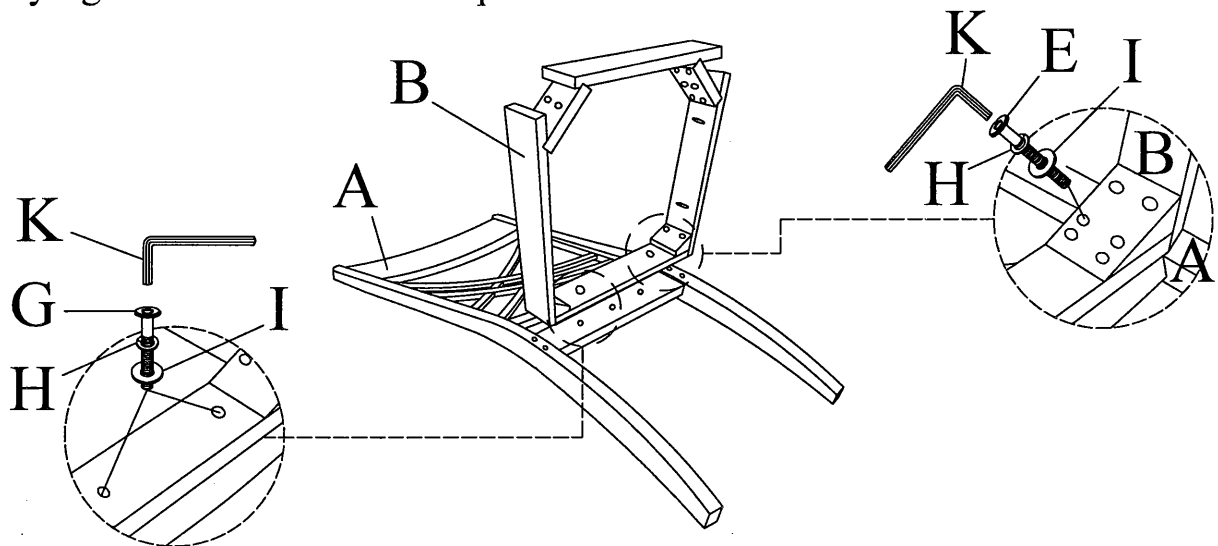


1 PC



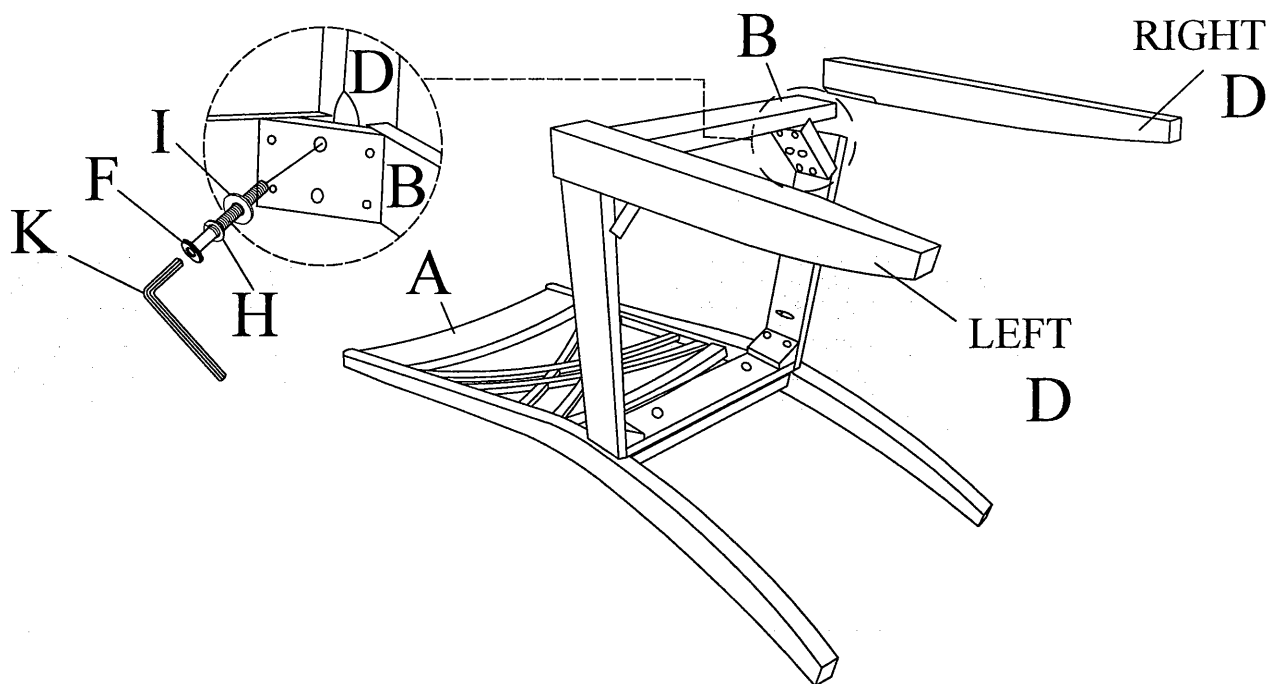
This page lists all the contents included in the box. Please take the time to identify the hardware as well as the individual components to this product. As you unpack and prepare for assembly, place the contents on a carpeted or padded area to protect them from damage.

- 1** Put the Chair Back (A), Box Frame (B) upside down on the soft and smooth surface. Attach Box Frame (B) onto Chair Back (A). Then insert JCBC Bolt (E), Lock Washer (H) and Flat Washer (I) into predrilled holes of each corner by using Allen Key (K). Insert JCBC Bolt (G), Lock Washer (H) and Flat Washer (I) into the predrilled holes of the middle of Chair Back (A) by using Allen Key (K). Do not fully tighten the bolts in this step.

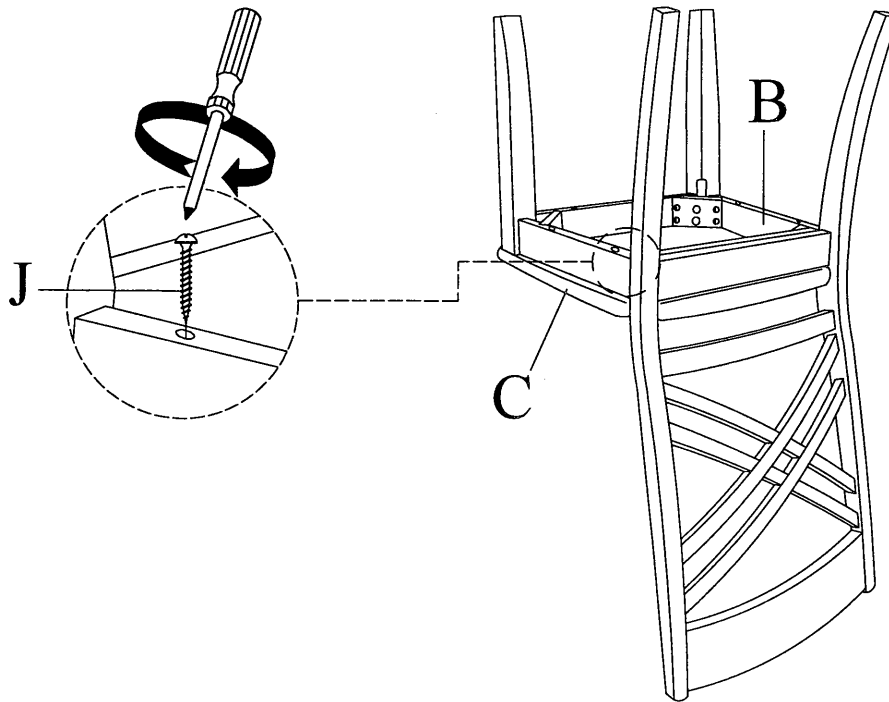


Take the Allen Wrench, and turn the bolts until the legs are secure.
DO NOT TIGHTEN COMPLETELY.
Stop when you feel you are adding force to tighten the bolt.

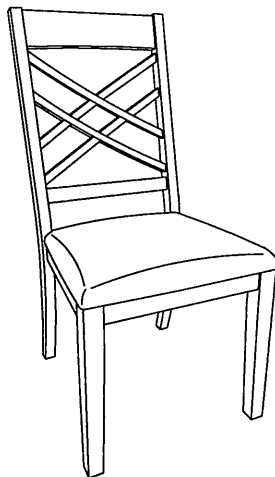
- 2** Attach Front Leg (D) assembly to corner of Box Frame (B) with inserting Flat Washer (I), Lock Washer (H) and JCBC Bolt (F) using Allen Key (K).



-
- 3** Attach Cushion Seat (C) to Box Frame (B) with Pan Head Screw (J) by using Screwdriver (not included). Tighten all screws in this step.



-
- 4** Stand chair up on an even surface and check that it is balanced. If there is a slight wobble, apply downward pressure in the corner where a leg is uneven. Keeping pressure in that corner, tighten all bolts. If balanced, apply downward pressure evenly in the center and tighten all bolts. Do not over-tighten beyond hole depth.



Helpful Tip: Instead of applying downward pressure while reaching under to tighten bolts, have someone sit on the chair while you tighten the bolts.

Cleaning & Care

Treat Surface with care. Surface is resistant to scratches but is not scratch resistant. Clean surface with a dry or damp soft cloth. Do not use abrasive cleaners. Hardware may loosen over time. Periodically check that all connections are tight.