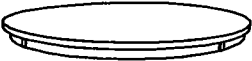

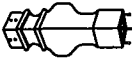


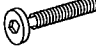






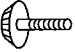
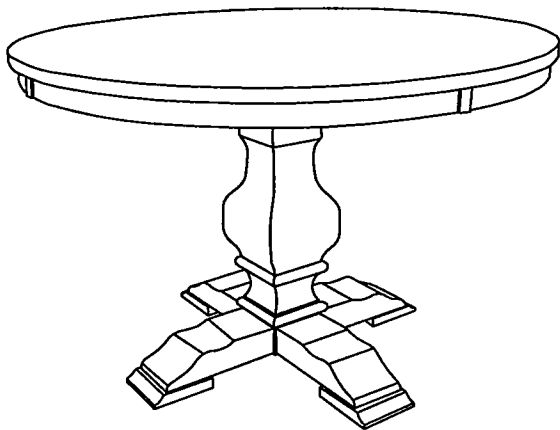


# ASSEMBLY INSTRUCTION

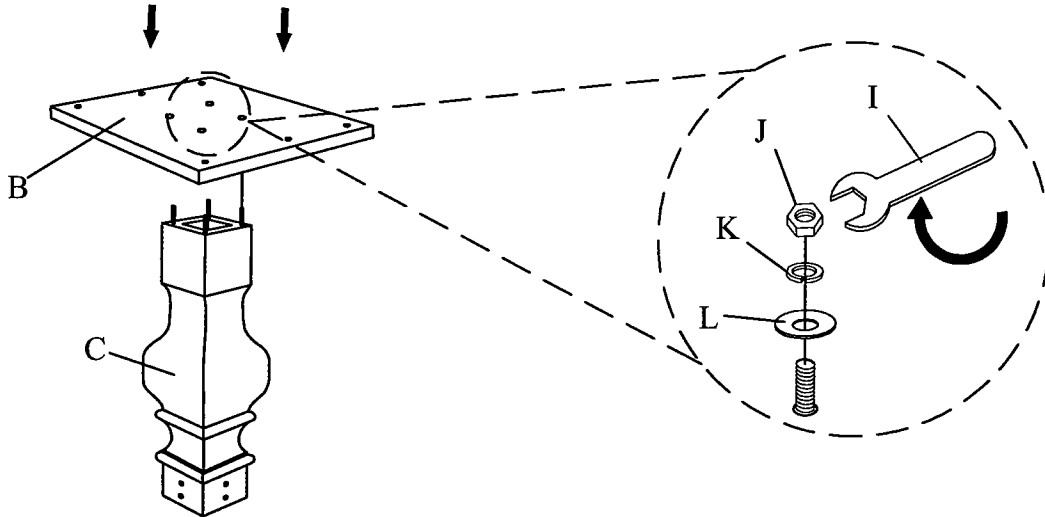
## ROUND DINING TABLE

<b>A</b> TABLE TOP  1 PC	<b>B</b> MOUNTING PLATE  1 PC	<b>C</b> PEDESTAL COLUMN  1 PC	<b>D</b> PEDESTAL LEG  4 PCS
<b>E</b> ALLEN WRENCH  1 PC	<b>F</b> JCBC M6 x 50mm  6 PCS	<b>G</b> SPRING WASHER M6  6 PCS	<b>H</b> FLAT WASHER M6  6 PCS
<b>I</b> WRENCH 13mm  1 PC	<b>J</b> HEX NUT 5/16"  12 PCS	<b>K</b> SPRING WASHER M8  12 PCS	<b>L</b> FLAT WASHER M8  12 PCS
<b>M</b> LEVELER  4 PCS			

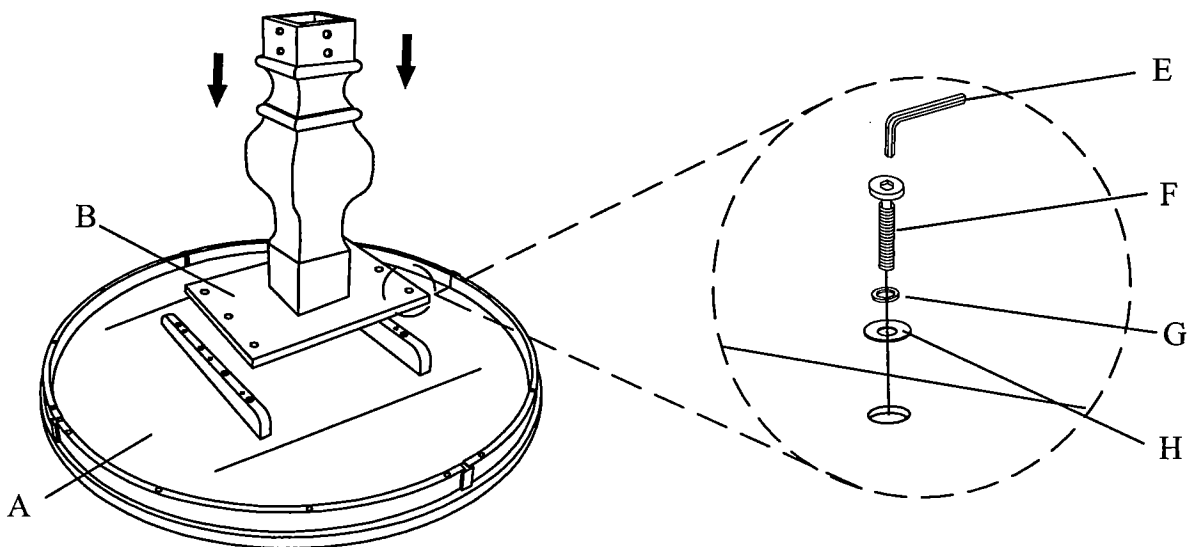


This Page lists all the contents included in the box . Please take the time to identify the hardware as well as the individual components to this product . As you unpack and prepare for assembly , place the contents on a carpeted or padded area to protect them from damage .

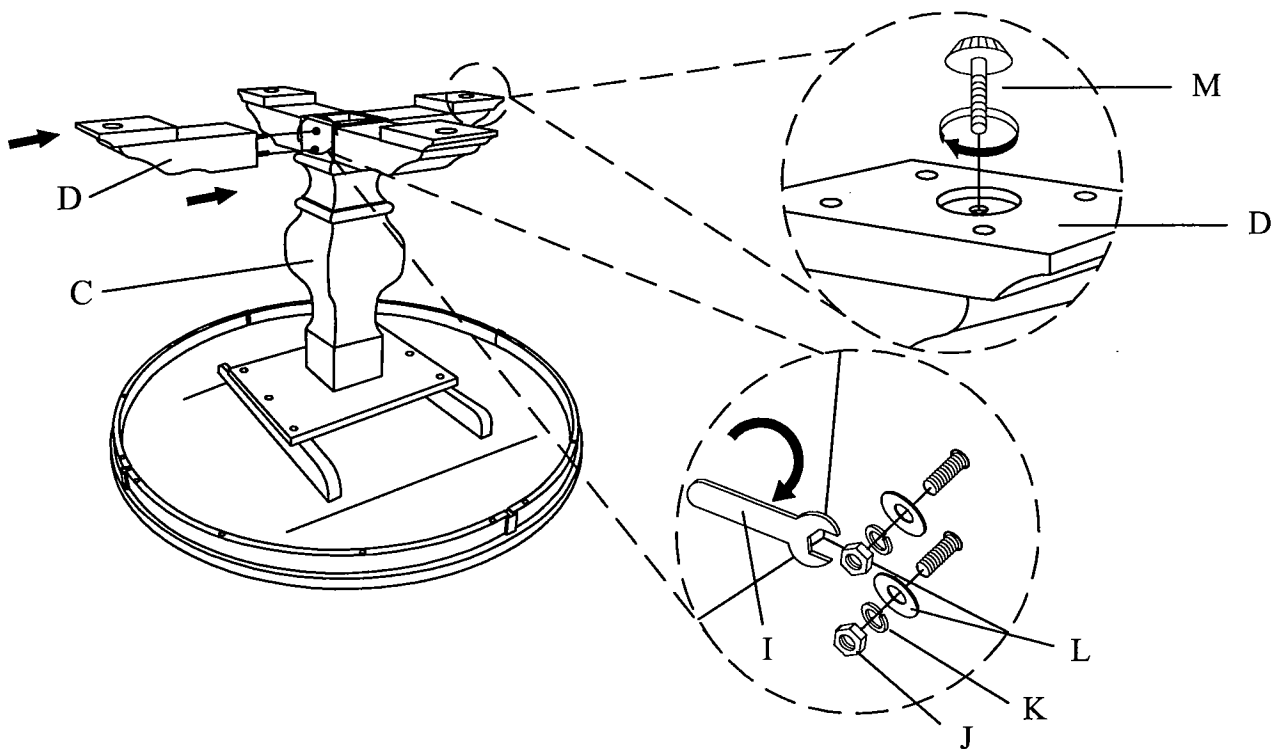
- 1** Align and fasten mounting plate(B) to pedestal column(C) using hex nut(J), big spring washer(K) and big flat washer(L) and tighten with wrench(I).



- 2** Place table top upside down on soft surface. Align and fasten mounting plate(B) to table top(A) using bolt(F), small spring washer(G) and small flat washer(H) and tighten with Allen wrench(E).
- \*\* Do not fully tighten the nut or bolt until all nuts and bolts are attached.**



- 3** Screw in the leveler(M) to the bottom of pedestal leg(D). Align and fasten pedestal leg(D) to pedestal column(C) using hex nut(J), big spring washer(K), and big washer(L) and tighten with wrench(I).



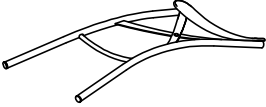

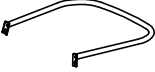





Stand table up on an even surface and check that it is balanced. If there is a slight wobble, please adjust the leveler.

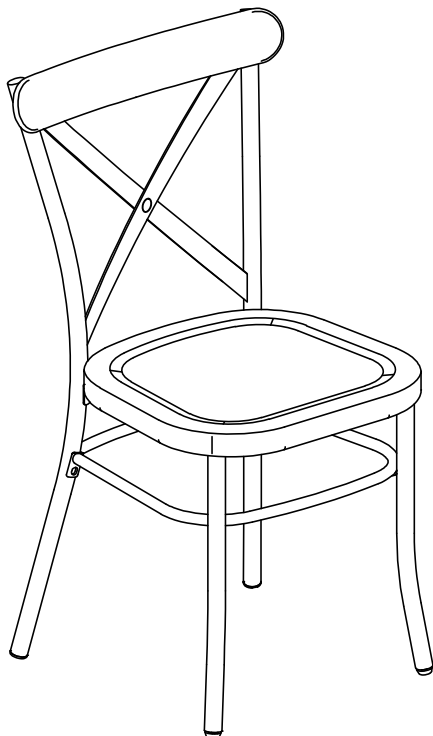
#### Cleaning & Care

Treat Surface with care. Surface is resistant to scratches but is not scratch resistant. Clean surface with a dry or damp soft cloth. Do not use abrasive cleaners. Hardware may loosen over time. Periodically check that all connections are tight.

# ASSEMBLY INSTRUCTION

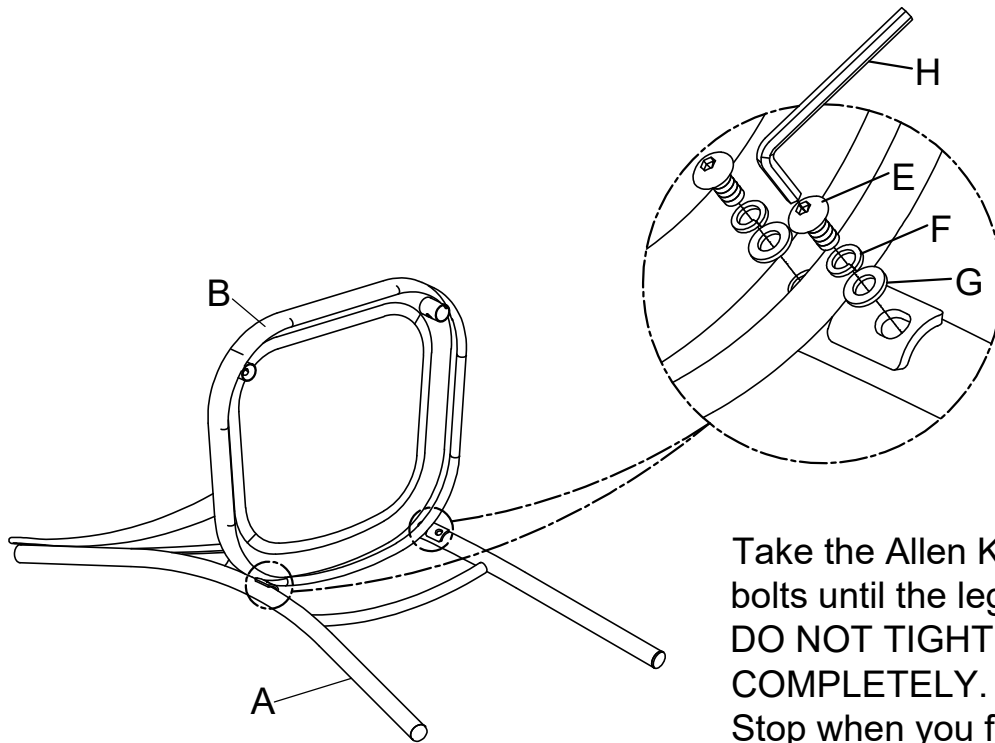
## DINING CHAIR

<b>A</b> Chair Back	<b>B</b> Seat	<b>C</b> Stretcher	<b>D</b> Front Leg
			
1pc	1pc	1pc	2pcs
<b>E</b> Bolt Ø1/4"x5/8"	<b>F</b> Lock Washer Ø1/4"x3/8"	<b>G</b> Flat Washer Ø1/4"x1/2"	<b>H</b> Allen Key M4
			
10pcs	10pcs	10pcs	1pc



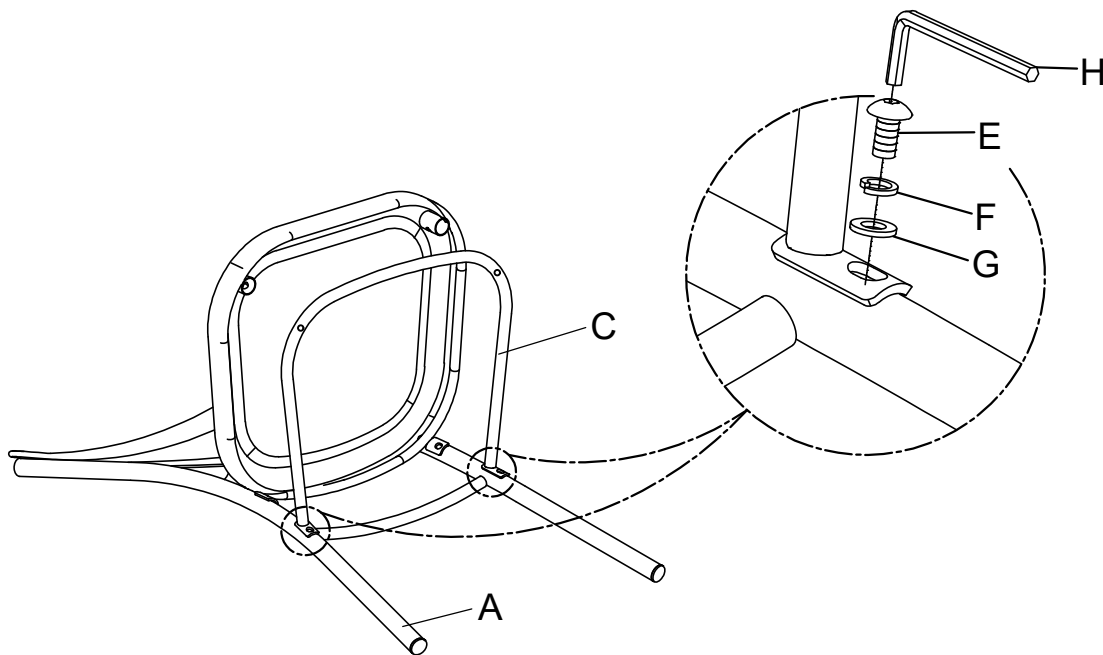
This page lists all the contents included in the box. Please take the time to identify the hardware as well as the individual components to this product. As you unpack and prepare for assembly, place the contents on a carpeted or padded area to protect them from damage.

- 
- 1** Attach Seat (B) to the Chair Back (A) using Bolt (E), Lock Washer (F) and Flat Washer (G) by Allen Key (H).



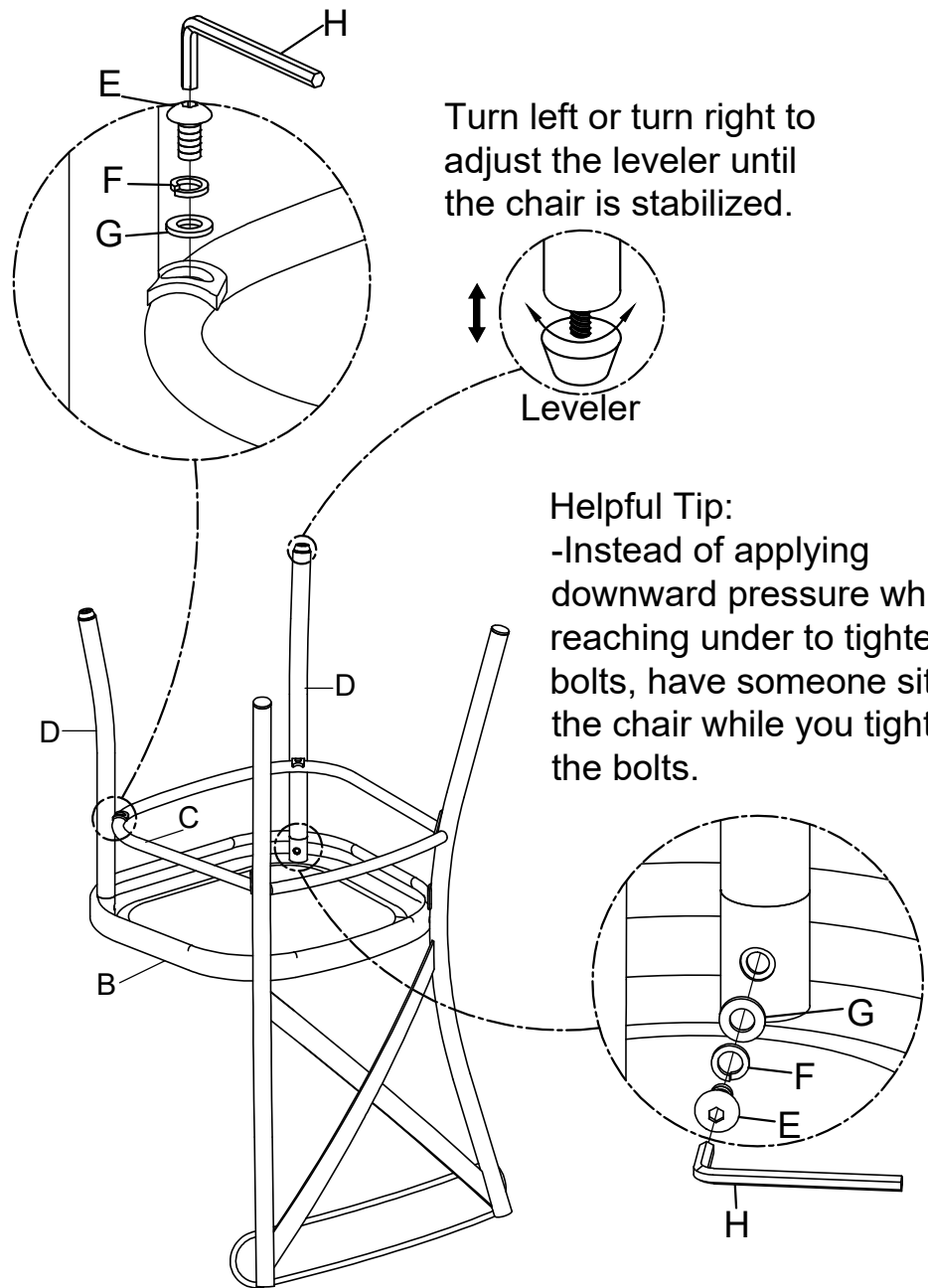
Take the Allen Key, and turn the bolts until the legs are secure. **DO NOT TIGHTEN COMPLETELY.** Stop when you feel you are adding force to tighten the bolt.

- 
- 2** Attach Stretcher (C) to the Chair Back (A) using Bolt (E), Lock Washer (F) and Flat Washer (G) by Allen Key (H).



**3** Attach Front Leg (D) to Seat (B), Stretcher (C) using Bolt (E), Lock Washer (F), Flat Washer (G) by Allen Key (H).

Stand chair up on an even surface and check that it is balanced. If there is a slight wobble, apply downward pressure in the corner where a leg is uneven. Keeping pressure in that corner, tighten all bolts. If balanced, apply downward pressure evenly in the center and tighten all bolts. Do not over-tighten beyond hole depth.



**Cleaning & Care**

Treat surface with care. Surface is resistant to scratches but is not scratch resistant. Clean surfaces with a dry or damp soft cloth. Do not use abrasive cleaners. Hardware may loosen over time. Periodically check that all connections are tight.