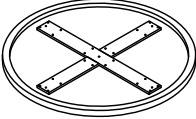
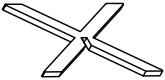
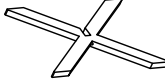
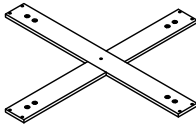
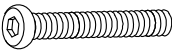




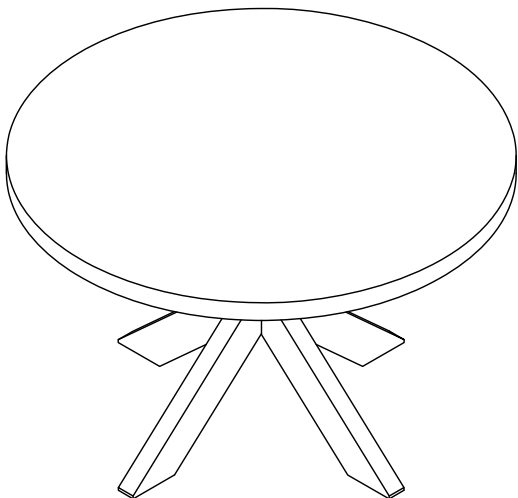


ASSEMBLY INSTRUCTIONS

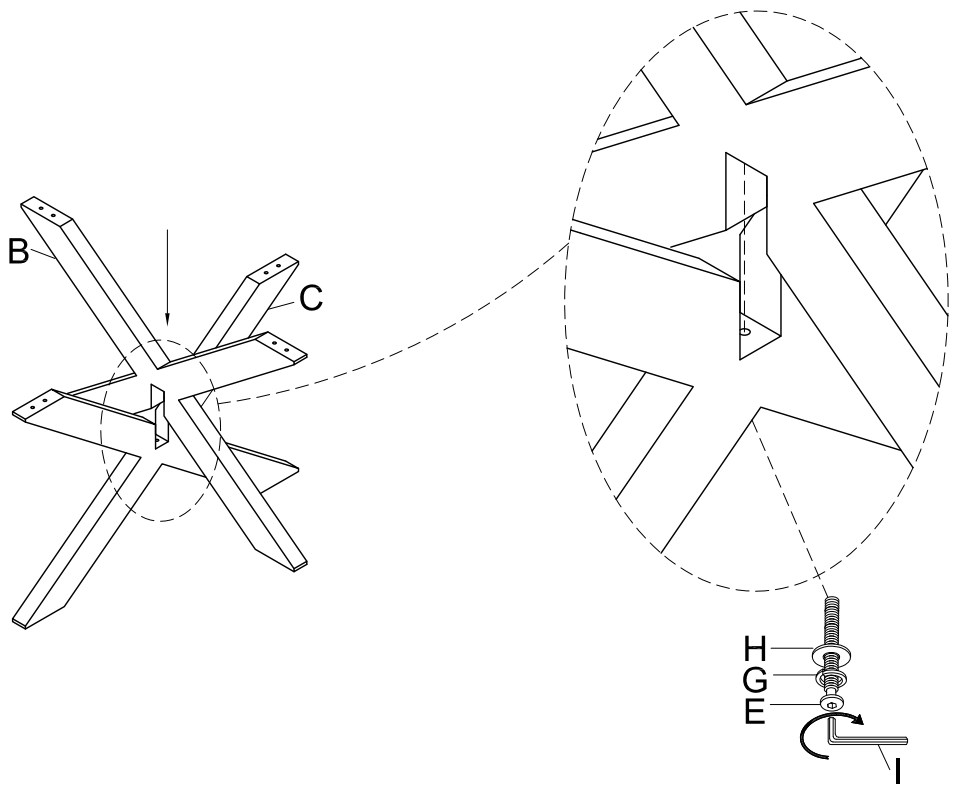
48" ROUND DINING TABLE

A Table Top  1 PC	B Upper Leg  1 PC	C Lower Leg  1 PC	D Mounting Rail  1 PC
E Long Bolt 5/16" x 3"  1 PC	F Short Bolt 5/16" x 1-1/2"  17 PCS	G Lock Washer 5/16"  18 PCS	H Flat Washer Ø5/16" x 3/4"  18 PCS
I Allen Key M4  1 PC			

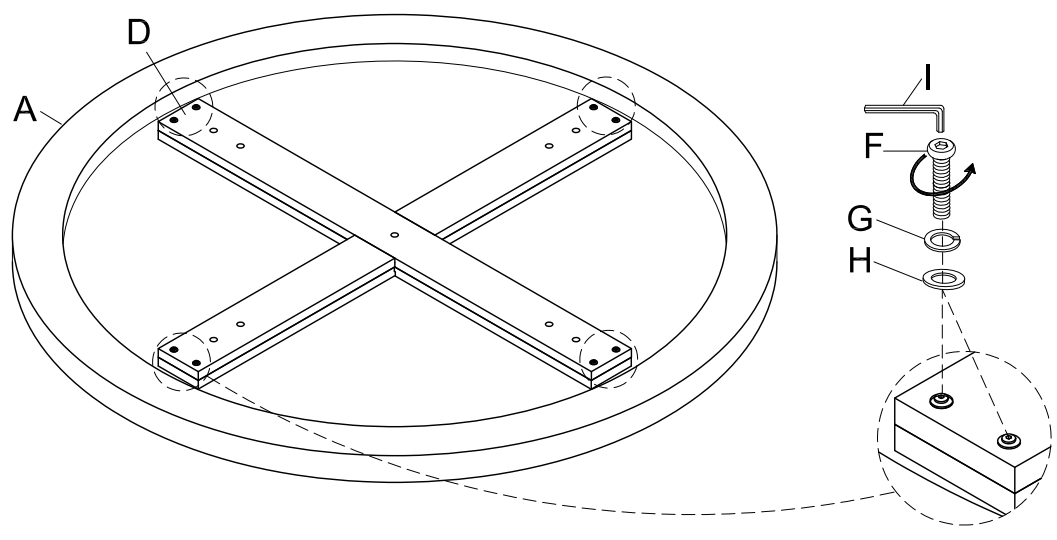


This page lists all the contents included in the box. Please take the time to identify the hardware as well as the individual components to this product. As you unpack and prepare for assembly, place the contents on a carpeted or padded area to protect them from damage.

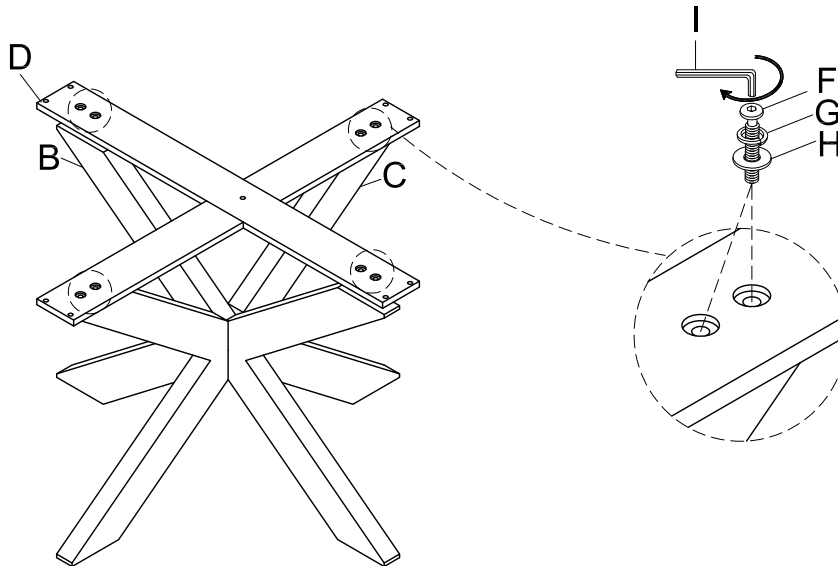
1 Attach the Upper Leg (B) to the Lower Leg (C) using Long Bolt (E), Lock Washer (G) and Flat Washer (H) with the Allen Key (I).



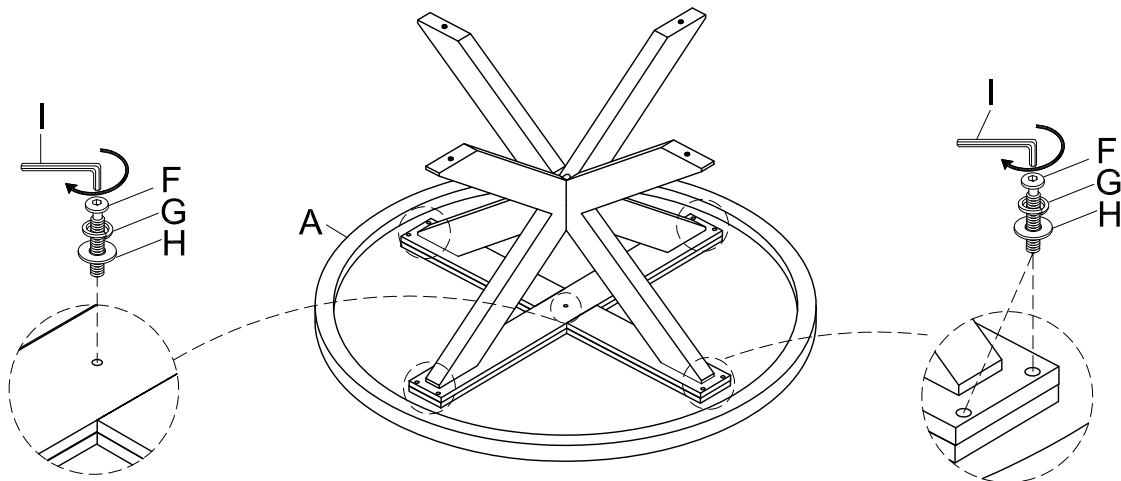
2 Remove the Mounting Rail (D), Short Bolt (F), Lock Washer (G) and Flat Washer (H) from the bottom of the Table Top (A) with the Allen Key (I).



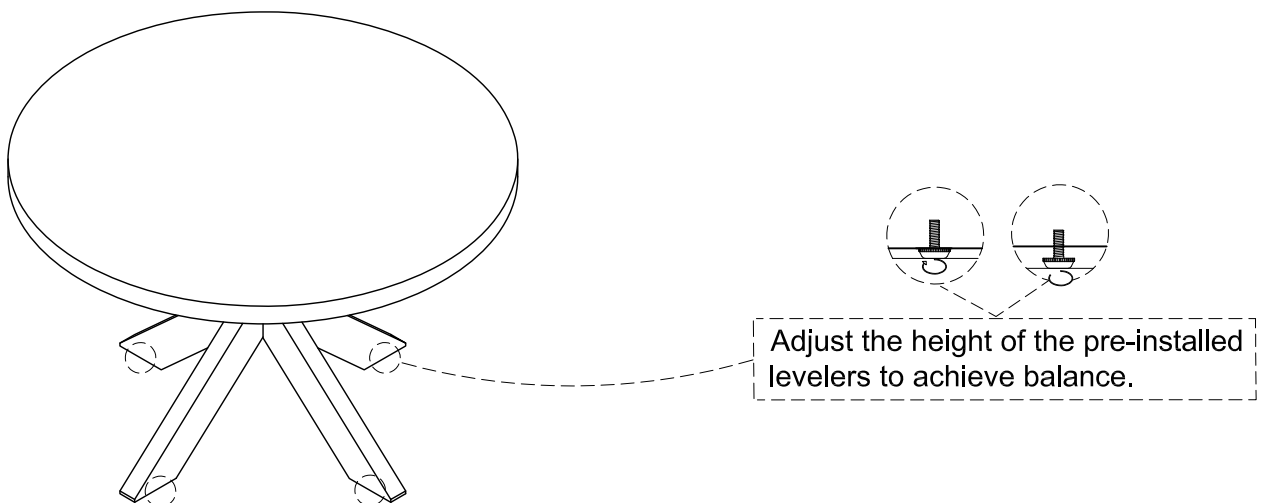
- 3** Attach the Mounting Rail (D) to the top of the Upper & Lower Leg (B & C) using Short Bolt (F), Lock Washer (G) and Flat Washer (H) with the Allen Key (I).



- 4** Attach the assembled base to the bottom of the Table Top (A) using Short Bolt (F), Lock Washer (G) and Flat Washer (H) with the Allen Key (I).



- 5** With the assistance of your adult partners, carefully stand the table upright. If the table wobbles slightly, adjust the pre-installed levelers on the bottom of the legs until the table is stabilized.

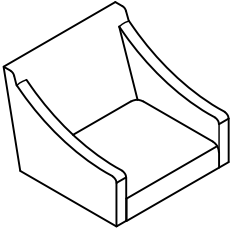
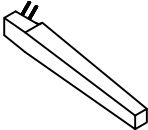
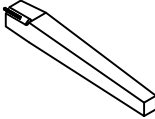
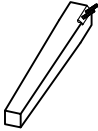






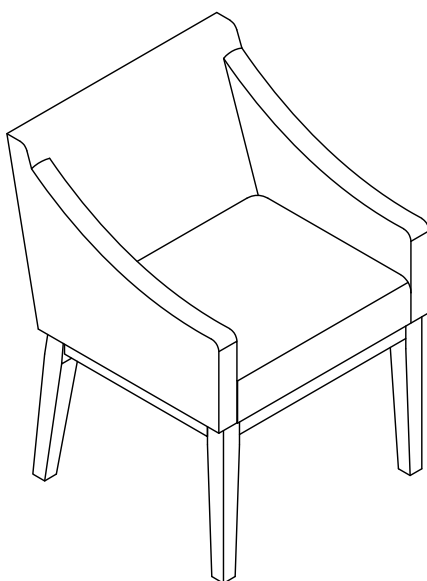
Cleaning & Care

Treat surfaces with care. Surfaces are resistant to scratches but are not scratch resistant. Clean surfaces with a dry or damp soft cloth. Do not use abrasive cleaners. Hardware may loosen over time. Periodically check that all connections are tight.

ASSEMBLY INSTRUCTIONS

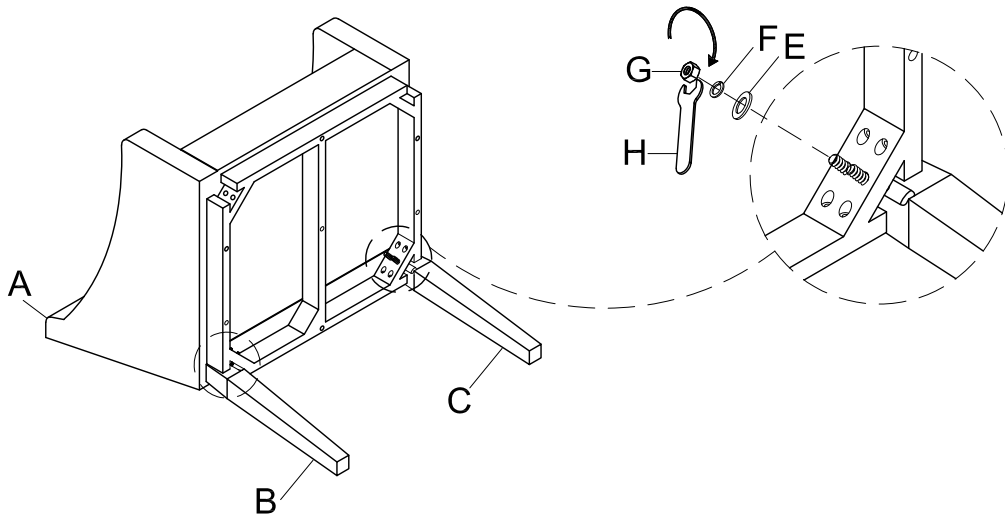
SLOPE ARM DINING CHAIR

A Chair Seat	B Left Back Leg	C Right Back Leg	D Front Leg
			
1 PC	1 PC	1 PC	2 PCS
E Flat Washer 5/16" x 3/4"	F Lock Washer 5/16"	G Lock Nut 5/16"	H Wrench M12
			
8 PCS	8 PCS	8 PCS	1 PC

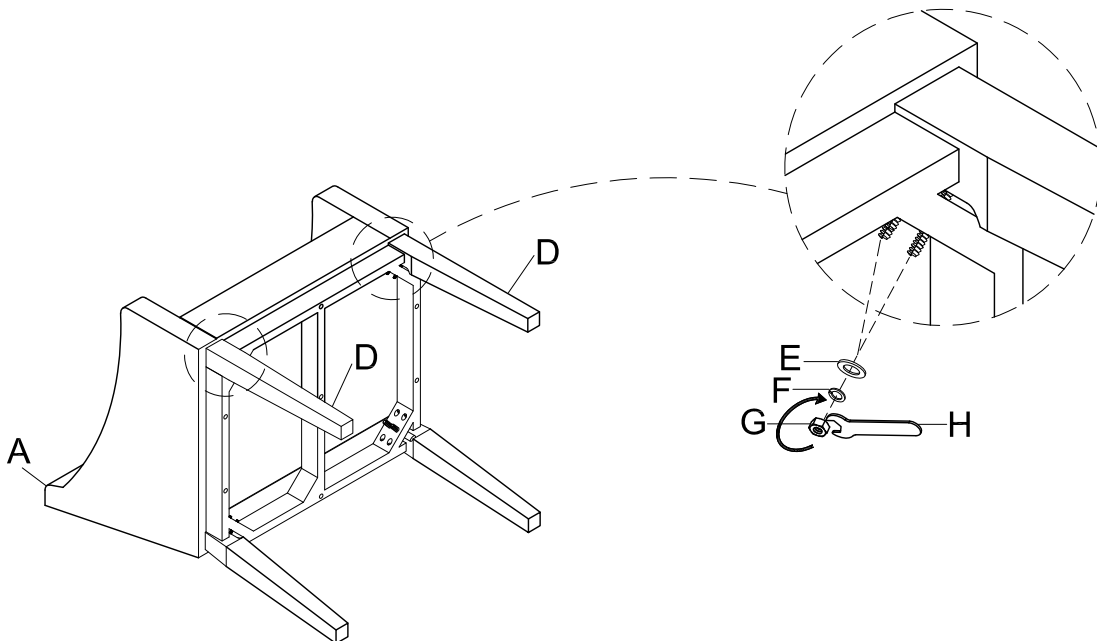


This page lists all the contents included in the box. Please take the time to identify the hardware as well as the individual components to this product. As you unpack and prepare for assembly, place the contents on a carpeted or padded area to protect them from damage.

-
- 1** Attach the Left & Right Back Leg (B & C) to the Chair Seat (A) using Flat Washer (E), Lock Washer (F) and Lock Nut (G) with the Wrench (H).



-
- 2** Attach the Front Leg (D) to the Chair Seat (A) using Flat Washer (E), Lock Washer (F) and Lock Nut (G) with the Wrench (H).



Cleaning & Care

Treat surfaces with care. Surfaces are resistant to scratches but are not scratch resistant. Clean surfaces with a dry or damp soft cloth. Do not use abrasive cleaners. Hardware may loosen over time. Periodically check that all connections are tight.