



Mariposa® | K-1239-LH

60" x 36" alcove heated whirlpool, left drain and heater

Features

- Single-speed whirlpool offers performance and value, with 5 fully adjustable jets
- Hydromassage flow and direction can be controlled at each jet
- Built-in heater
- Hourglass shape adds style and elegance to your bathroom
- Integral flange helps prevent water from seeping behind wall and simplifies alcove installation
- Textured bottom surface



Available Colors/Finishes

Color tiles intended for reference only.

- 0 White



Codes/Standards

ASME A112.19.7/CSA B45.10
CSA B45.5/IAPMO Z124
ASTM E162
ASTM E662
UL 1795
UL Listed

Technical Information

All product dimensions are nominal.

Drain Location:	Left
Drain Hole Diameter:	2-1/4" (57 mm)
Minimum Flat for Door:	2" (51 mm)
Basin Area, Bottom:	46" x 24" (1168 mm x 610 mm)
Basin Area, Top:	54" x 27" (1372 mm x 686 mm)
Water Depth:	14" (356 mm)
Water Capacity:	63 gal (238.5 L)
Minimum Floor Load:	44 lbs/ft ²
Weight:	110 lbs (49.9 kg)

Material

- Acrylic

Recommended Products/Accessories

K-1601 Bath/whirlpool footstep, removable
K-23726 Drain treatment
K-23732 Tub & shower cleaner
K-7213 Cable bath drain with PVC tubing
K-7214 Cable bath drain, less PVC tubing
K-7265 Brass toe tap bath drain
K-7259 Brass toe tap bath drain

Required Products/Accessories

- K-T37392 Rotary-turn bath drain trim
 - K-T37391 Rotary-turn bath drain trim
- or
- K-78438 30" cable bath drain
 - K-37383 Rough-in cable bath drain, PVC, 30" cable with tubing
- or
- K-78439 45" cable bath drain
 - K-37385 Rough-in cable drain, PVC, 45" cable, less horizontal tube

Required Electrical Service

Two dedicated circuits required, protected with Class A Ground-Fault Circuit-Interrupter (GFCI). Outside North America, this device may be known as a Residual Current Device (RCD).

Pump:	120 V, 15 A, 60 Hz
Heater:	120 V, 15 A, 60 Hz

Electrical Component Ratings

Pump:	120 V, 7.5 A, 60 Hz
Number of Speeds:	Single
Heater:	120 V, 12.5 A, 60 Hz, 1500 W

Warranty

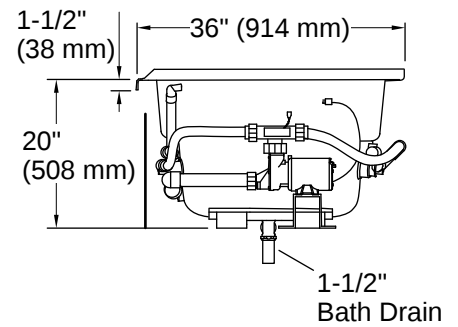
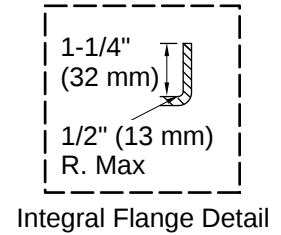
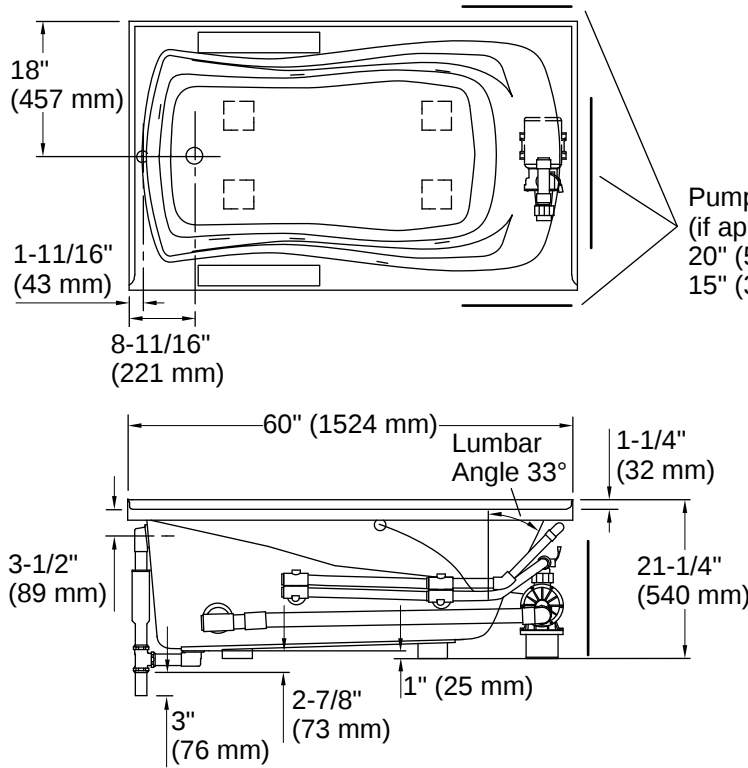
See website for detailed warranty information.

KOHLER® Plastic Baths and Shower Bases Lifetime Limited Warranty|KOHLER® Hydrotherapy Components Five-Year Limited Warranty



No change in measurements if connected with drain illustrated. (K-7161-AF)

□ Recommended Faucet Location



Installation

- Left drain
- Alcove

Installation Notes

Install this product according to the installation instructions.

Measure your actual product for rough-in details.

The hot water supply should be 70% of the capacity of the bath or greater. Installations will vary.

If installing a rim-mount faucet, make sure there is no interference above or below the deck before drilling any holes.

