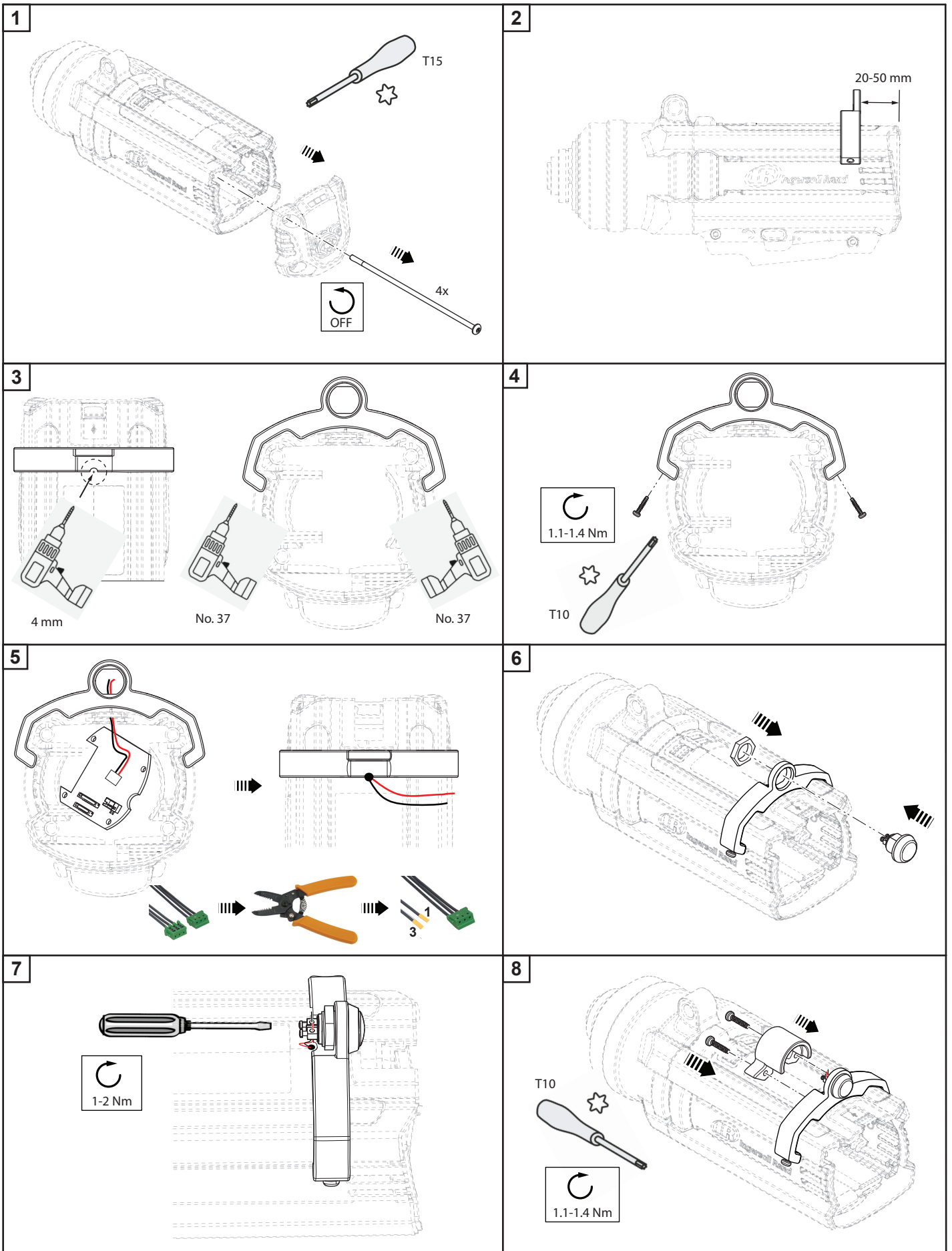
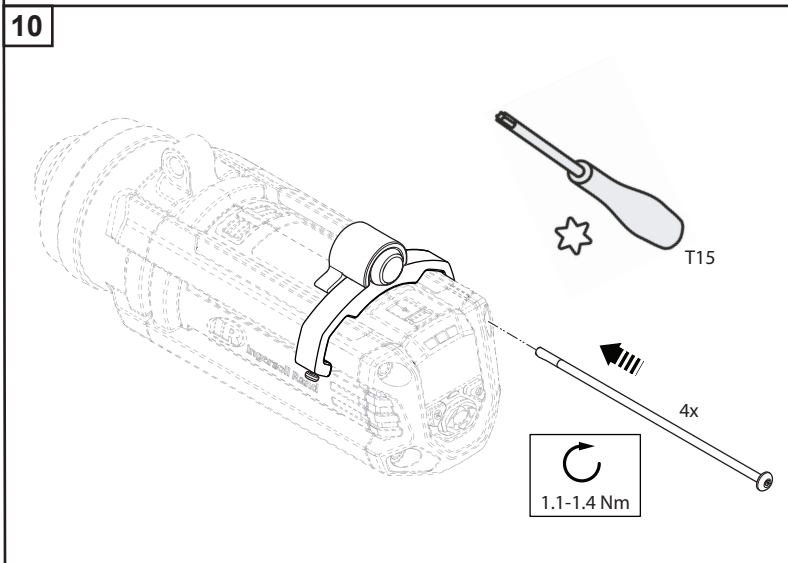
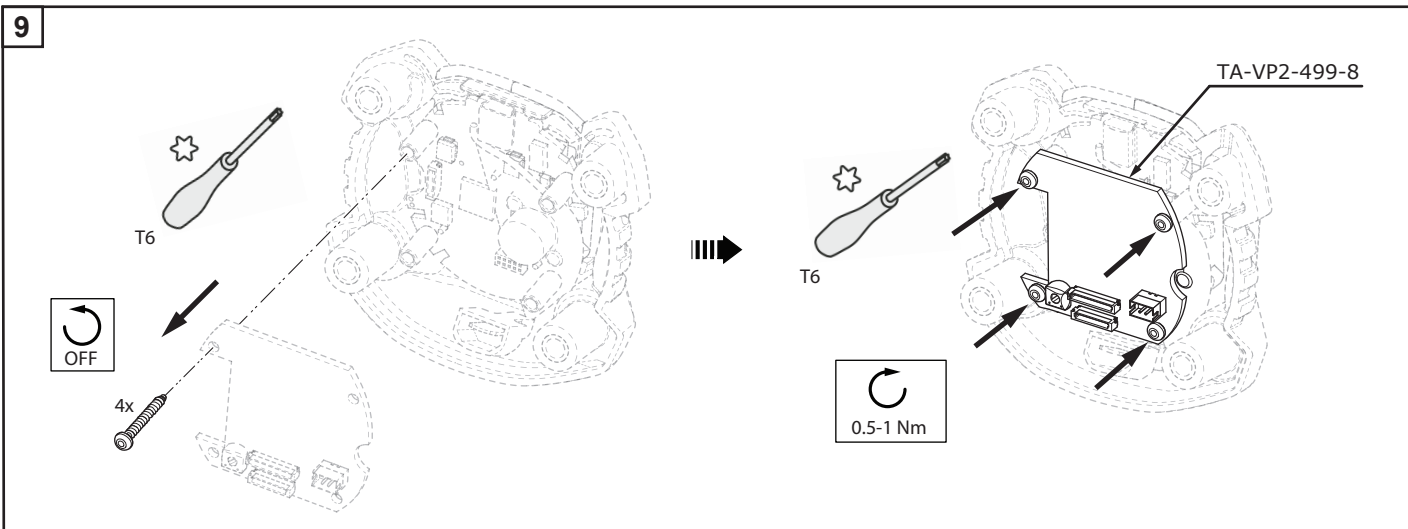


Installation of Secondary Trigger Kit for QX 40V Pistol





Secondary Trigger Button Kit List

Part Number	Part Description	Qty.
TK-VP2-075-1	Button Kit, Two Hand	1
TP-VP2-600	Bracket	1
TP-VP2-624	End Cap	1
TA-VP2-499-8	Two Hand Board Assembly	1
TP-VP2-075-1	Button	1
TP-VP2-638	Screw	4
TP-VP2-505	Wire Harness	1

