

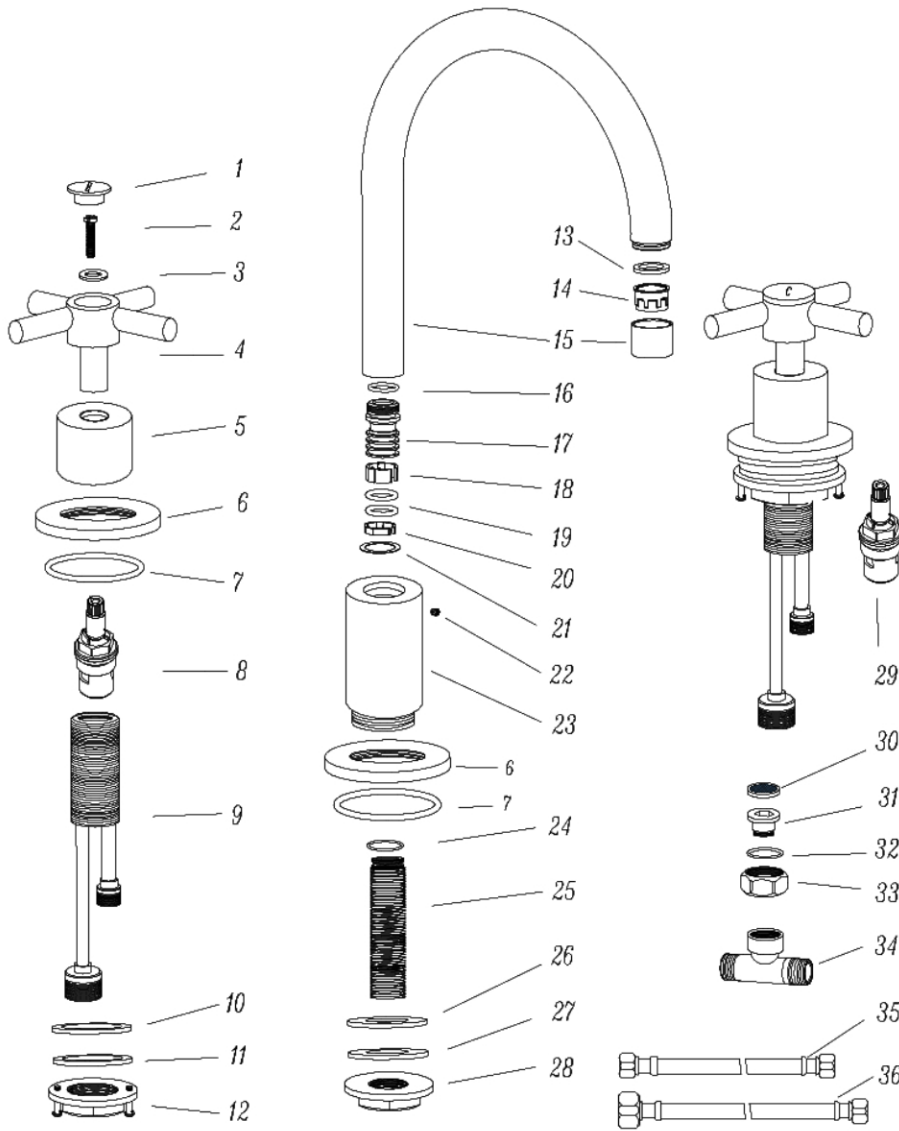


MAIDSTONE

www.MaidstoneSupply.com

Bathroom Sink Faucet

Part No: 124-WS9-MC



POS	PART NO	PART NAME	QTY	MATERIAL
36	328001-36	Hose	2	EPDM
35	328001-35	Hose	2	EPDM
34	328001-34	Three parts	1	EPDM
33	328001-33	Nut	1	Brass
32	328001-32	O Ring	1	Rubber
31	328001-31	Connector	1	Brass
30	328001-30	Washer	1	Rubber
29	328001-29	Cartridge	1	Brass
28	328001-28	Nut	1	Brass
27	328001-27	Steel sheet	1	Brass
26	328001-26	Washer	1	Rubber
25	328001-25	Threaded tube	1	Brass
24	328001-24	Base	1	Brass
23	328001-23	Body	1	Brass
22	328001-22	Screw	2	S.S
21	328001-21	Plastic sheath	1	ABS
20	328001-20	Plastic sheath	1	ABS
19	328001-19	O Ring	2	Rubber
18	328001-18	Plastic sheath	1	ABS
17	328001-17	Connector	1	Brass
16	328001-16	O Ring	1	Rubber
15	328001-15	Spout	1	Brass
14	328001-14	Cascade	1	Brass
13	328001-13	Washer	1	Rubber
12	328001-12	Nut	2	Brass
11	328001-11	Steel sheet	2	S.S
10	328001-10	Washer	1	ABS
9	328001-09	Body	2	Brass
8	328001-08	Cartridge	1	Brass
7	328001-07	O Ring	2	Rubber
6	328001-06	Base	2	Brass
5	328001-05	Coupling sleeve	2	Brass
4	328001-04	Handle	2	Zinc alloy
3	328001-03	Steel sheet	2	S.S
2	328001-02	Screw	2	S.S
1	328001-01	Decorative button	2	Zinc alloy
POS	PART NO	PART NAME	QTY	MATERIAL
RMX202				
Mark	Drawn	Check	Appr	Scale
Appr	Date	Date	Date	Quantity
Check	Date	Date	Date	Material
Design	Date	Date	Date	WR
				Edition
				A
				Surface Finishing
				Page 1 OF 1
MEGA CASA				

Contact Maidstone for additional information and specifications. For complete warranty information and a list of dealers visit www.MaidstoneSupply.com. All products and specifications are subject to change without notice. Maidstone is not responsible for typographical and/or dimensional errors. Typographical errors are subject to correction.

Note: Rough-in dimensions may vary +/- 1/2" and are subject to change. No responsibility is assumed by Maidstone.